



FIUS0901G123



- EN** USE AND CARE
- ES** EMPLEO Y MANUTENCION
- FR** UTILISATION ET ENTRETIEN



See separate insert sheet for more information

Voir la feuille séparée d'insertion pour plus d'information



\*CONSUMER PARTICIPATION REQUIRED

Vea la hoja separada del separador de millares para más información



For more information see Step 36  
Para más información vea el paso de progresión 36  
Pour plus d'information voir l'étape 36



Model Number IGOD0055

SEE VERBAL INSTRUCTIONS  
AFTER THE PICTURES

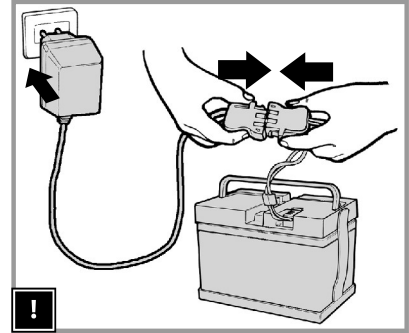
VER LAS INSTRUCCIONES  
DESPUÉS DE LOS DISEÑOS

VOIR LES INSTRUCTIONS  
APRÈS LES DESSINS

INITIAL BATTERY CHARGE

PRIMERA CARGA DE LA  
BATERÍA

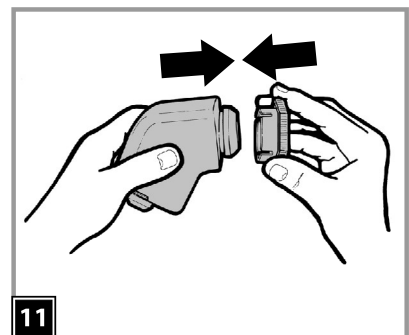
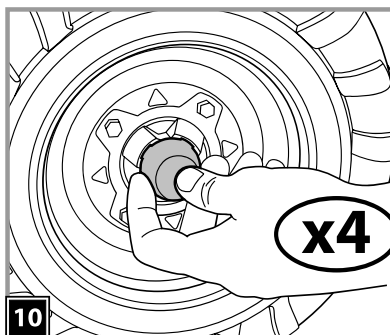
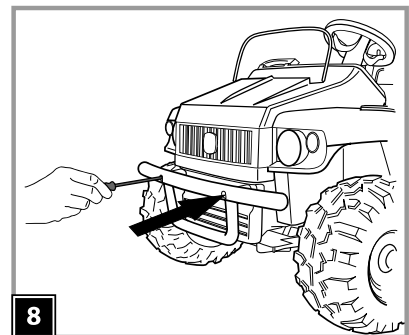
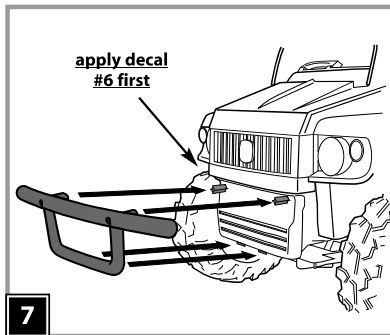
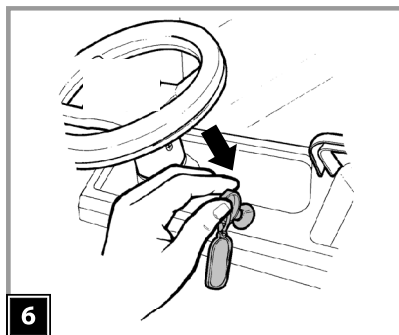
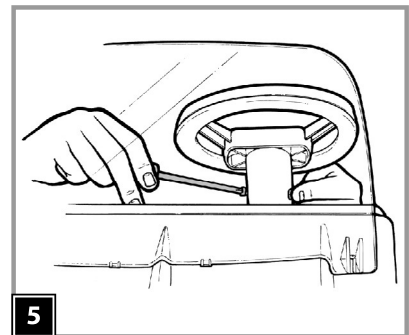
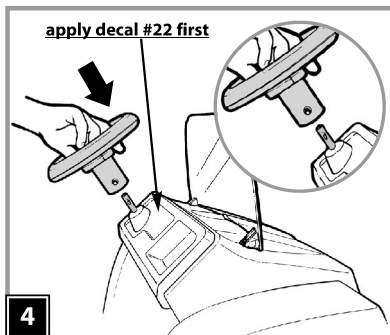
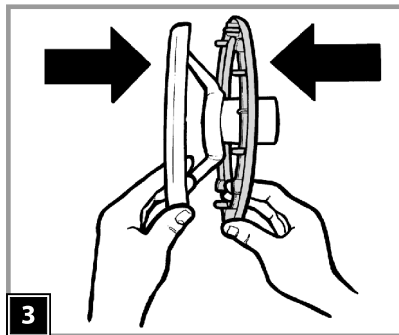
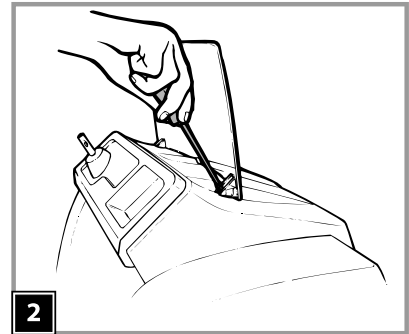
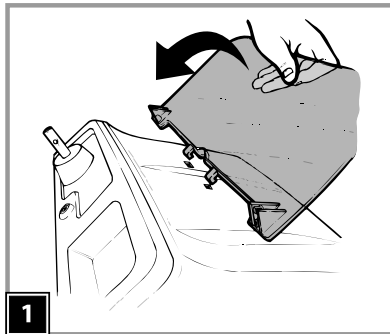
PREMIÈRE CHARGE DE  
BATTERIE

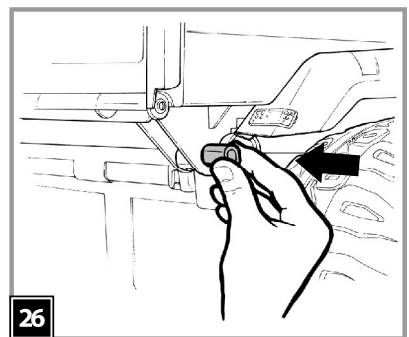
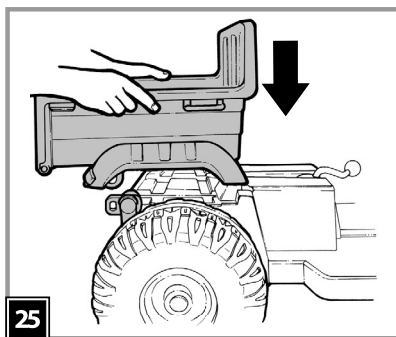
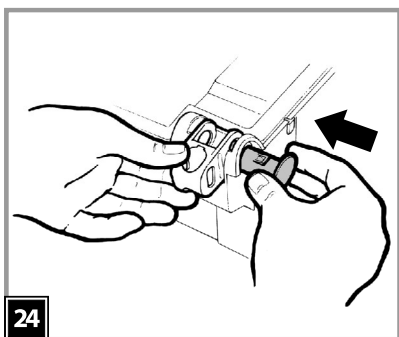
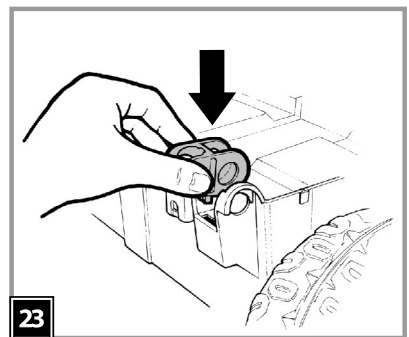
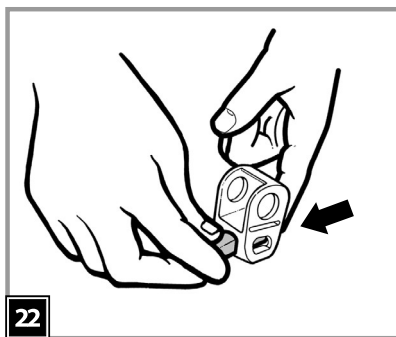
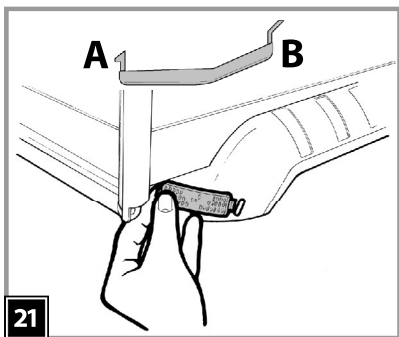
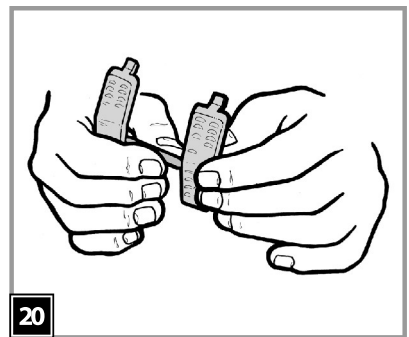
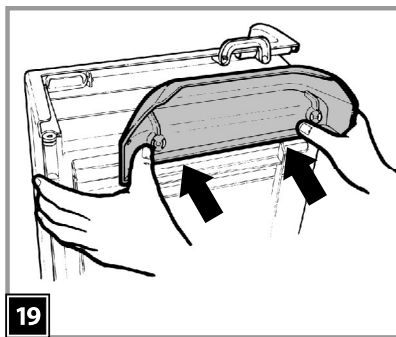
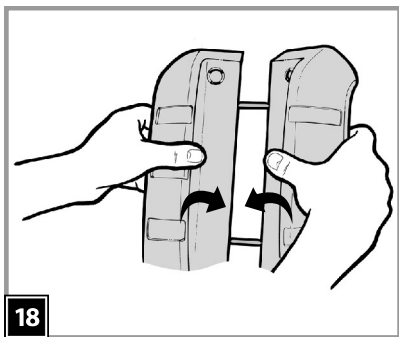
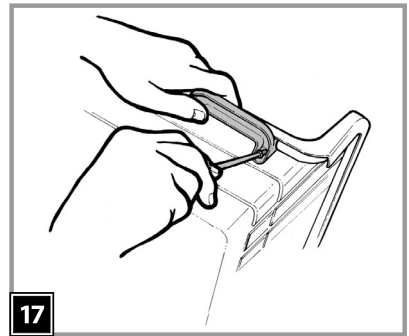
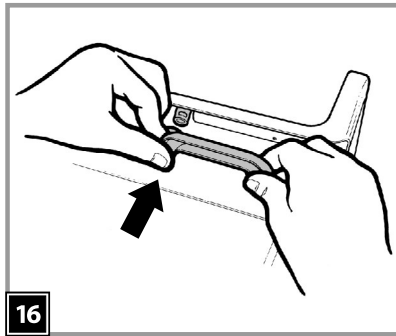
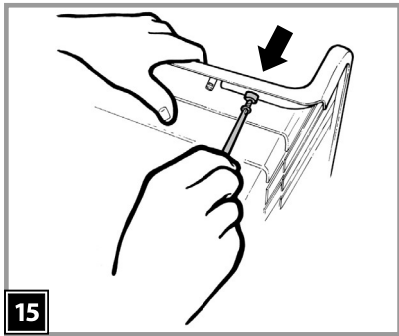
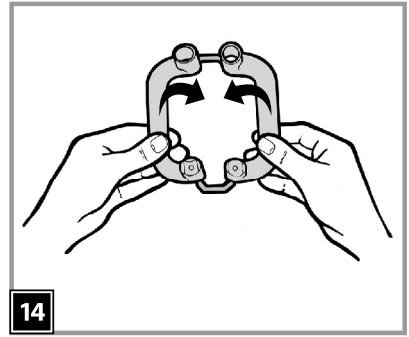
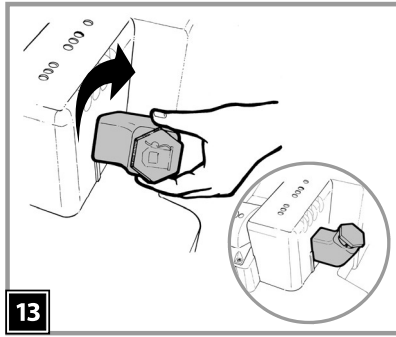
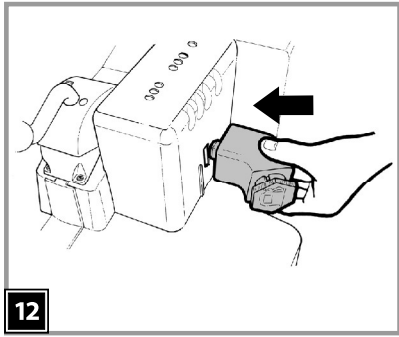


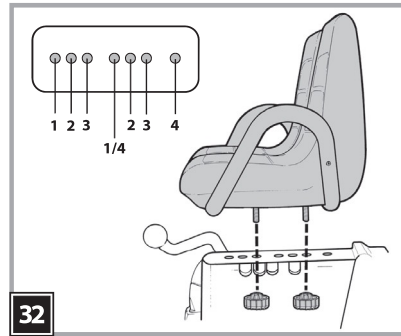
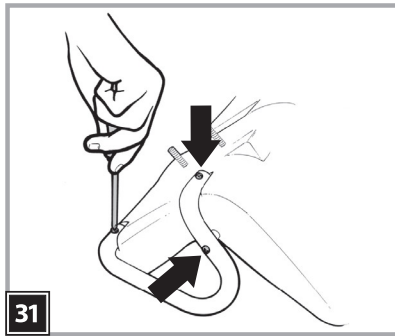
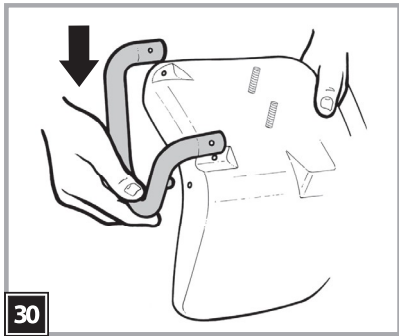
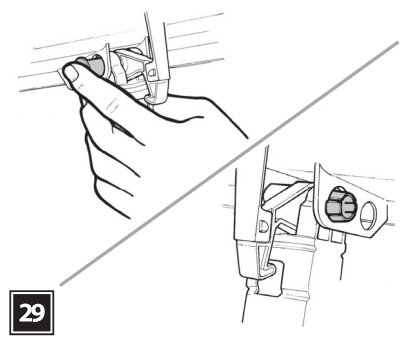
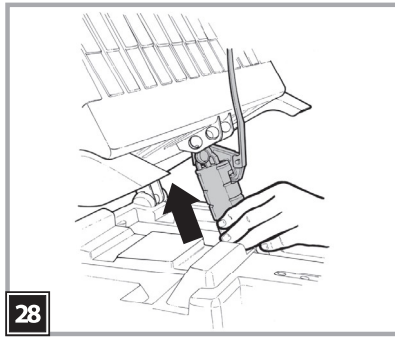
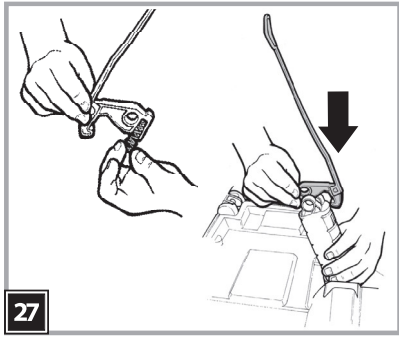
ASSEMBLY

MONTAJE

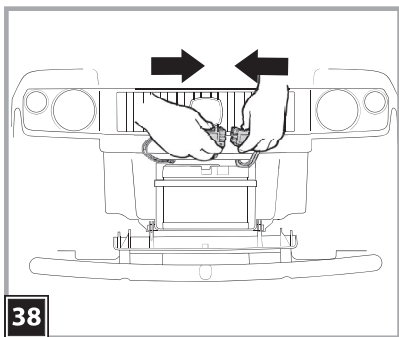
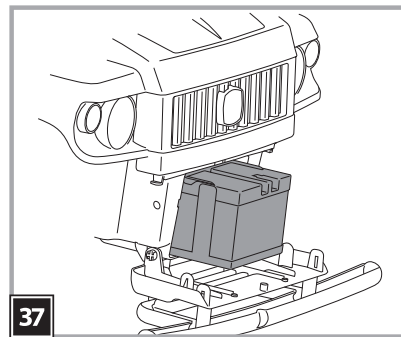
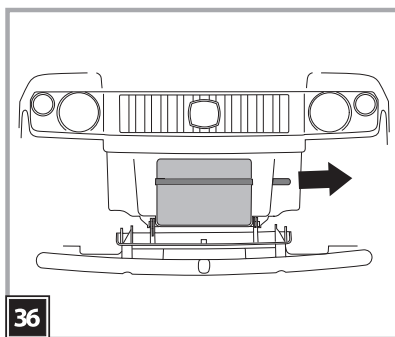
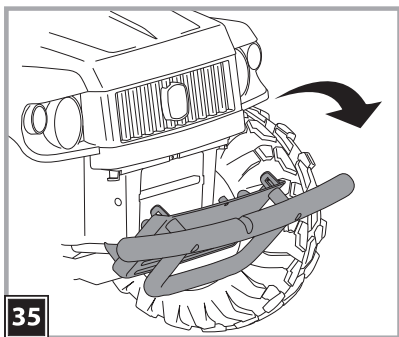
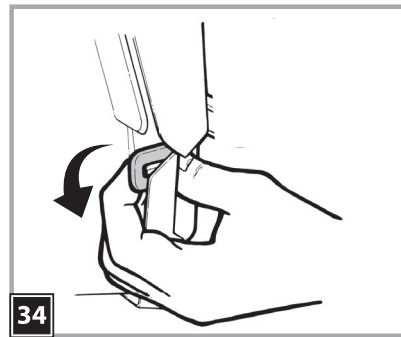
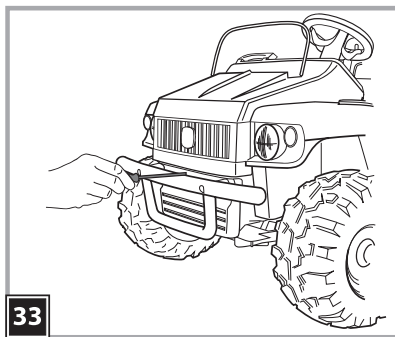
MONTAGE



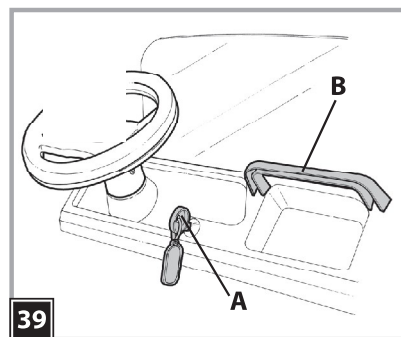


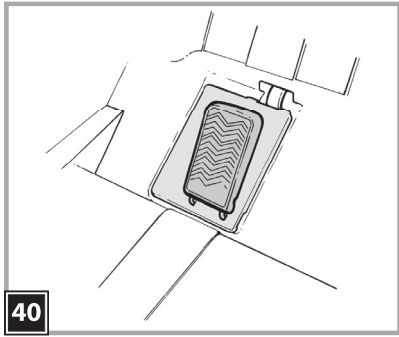


**BATTERY INSTALLATION**  
**INSTALACIÓN DE LA BATERÍA**  
**INSTALLATION DE LA BATTERIE**

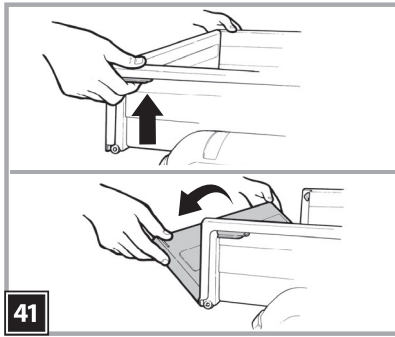


**VEHICLE FEATURES AND INSTRUCTIONS FOR USE**  
**CARACTERÍSTICAS Y USO DEL VEHÍCULO**  
**CARACTÉRISTIQUES ET UTILISATION DU VEHICULE**

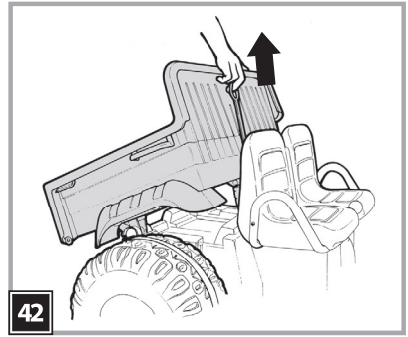




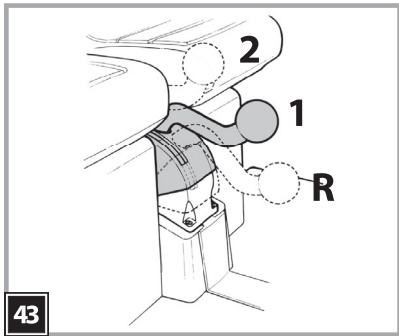
40



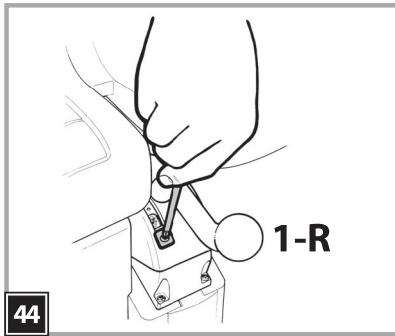
41



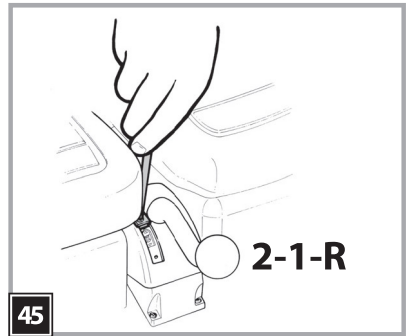
42



43

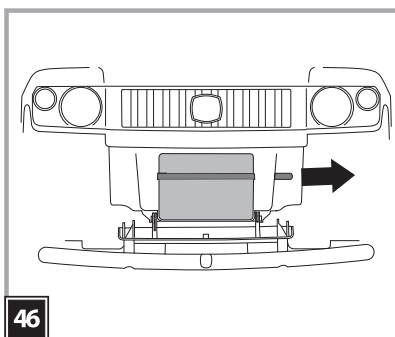


44

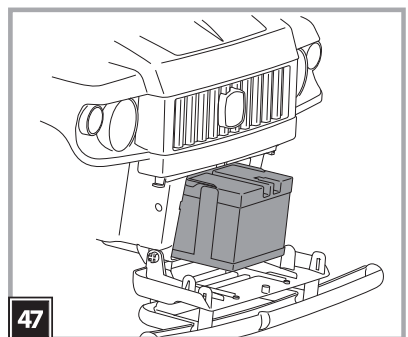


45

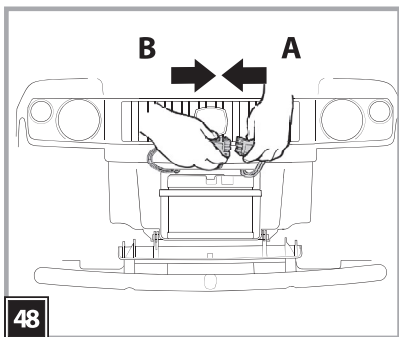
**BATTERY REPLACEMENT**  
**CAMBIO DE LA BATERÍA**  
**REPLACEMENT DE LA BATTERIE**



46



47

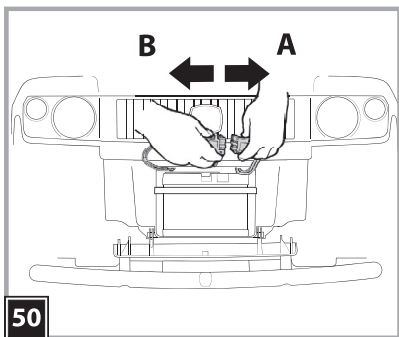


48

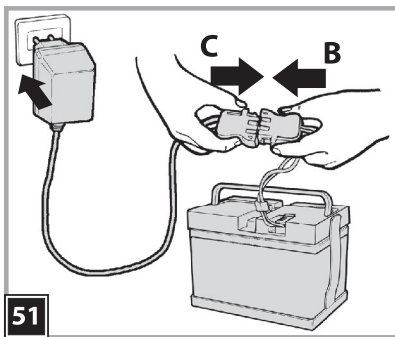


49

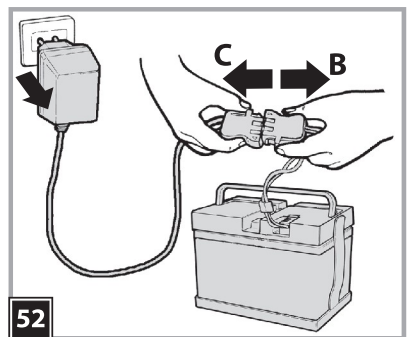
**BATTERY RECHARGE**  
**CARGA DE LA BATERÍA**  
**CHARGE DE LA BATTERIE**



50



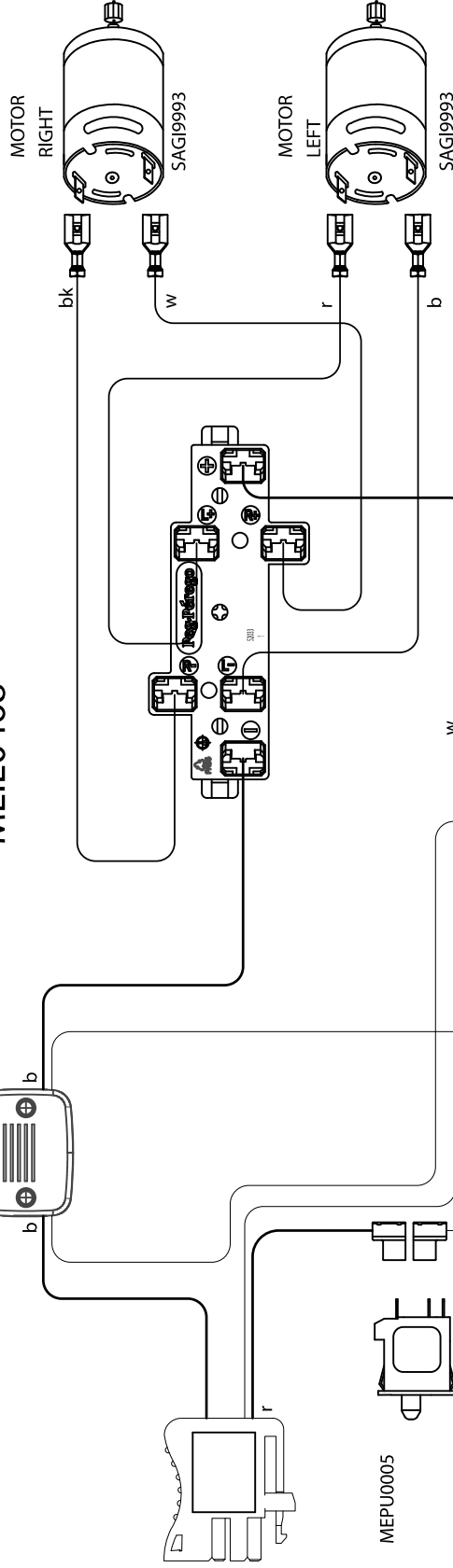
51



52

THERMO PROTECTOR

MEIE0468



MEPU0005

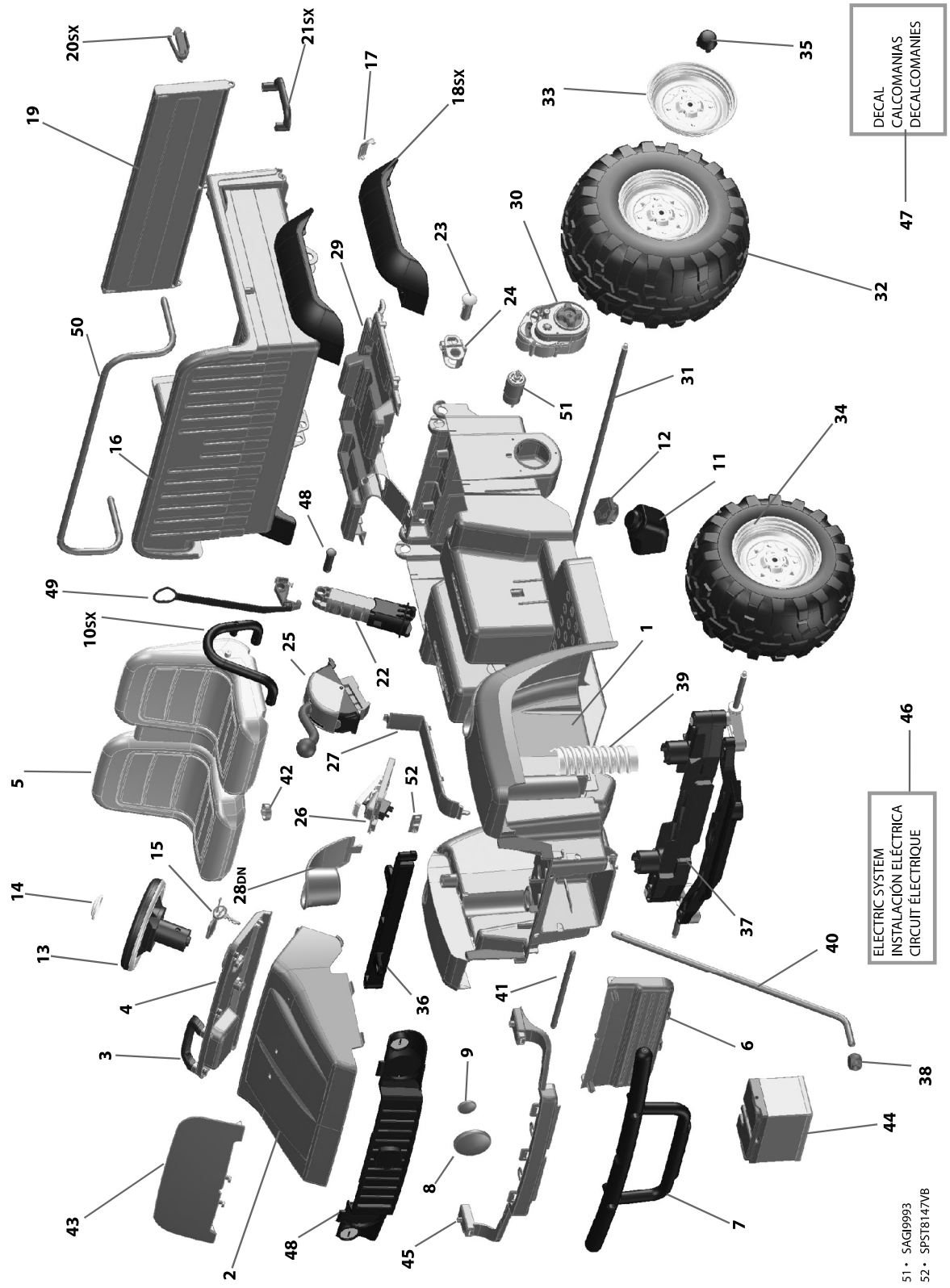
MEIE0486

MEPU0005

GATOR

- b = blue
  - bk = black
  - r = red
  - w = white
- b = azul
  - bk = negro
  - r = rojo
  - w = blanco
- b = bleu
  - bk = noir
  - r = rouge
  - w = blanc

- 1 • SPST8091JVB
- 2 • SPST8092JVB
- 3 • SPST8211Y
- 4 • ASG0111N
- 5 • SARP8093Y
- 6 • SPST8095JVB
- 7 • SPST9028N
- 8 • SPST0132
- 9 • SPST9033A
- 10R • SAGI8122DVB
- 10L • SAGI8122SVB
- 11 • SPMW8120N
- 12 • SPST8121R
- 13 • ASG00016Y
- 14 • SPST3963N
- 15 • SAGI8139N
- 16 • ASG0113VBN
- 17 • SPST8116A
- 18R • SPST8101DN
- 18L • SPST8101SN
- 19 • SPST8099VB
- 20R • SPST8107DR
- 20L • SPST8107SR
- 21R • SPST8109DN
- 21L • SPST8109SN
- 22 • ASG0136VBN
- 23 • SPST8108N
- 24 • SPST8202N
- 25 • ASG0115NYR
- 26 • SAGI8862Y
- 27 • SPST8106VB
- 28R • SPST9029DN
- 28L • SPST9029SN
- 29 • SPST8100KVB
- 30 • SAGI8130XW
- 31 • SOFF0489L30
- 32 • SARP9023NY
- 33 • SPST8397Y
- 34 • SARP9022NY
- 35 • SPST8398N
- 36 • SPST8105N
- 37 • ASG0116N
- 38 • SPST8119R
- 39 • SPST8148Y
- 40 • SOTF0087L30
- 41 • SOTF0088L30
- 42 • SPST8207R
- 43 • SAGI8147VB
- 44 • IAK80501
- 45 • SPST9026VB
- 46 • MMEI0468
- 47 • MMEI0480
- 48 • SPST9025N
- 49 • SAGI8217R
- 50 • SOTF0090L30
- 51 • SAGI9993
- 52 • SPST8147VB



DECAL  
CALCOMANIAS  
DECALCOMANIES

ELECTRIC SYSTEM  
INSTALACION ELECTRICA  
CIRCUIT ELECTRIQUE



## ENGLISH

•PEG PEREGO® thanks you for choosing this product. For over 50 years, PEG PEREGO has been taking children for an outing: first with its famous baby carriages and strollers, later with its pedal and battery operated toy vehicles.

•Read this instruction manual carefully to learn the use of this vehicle and to teach your child safe and enjoyable driving. Please keep this manual for use as a reference in the future.

•Our toys conform with the safety requirements provided by the Council of the EEC, of the T.U.V.; of the I.I.S.G. Istituto Italiano Sicurezza Giocattoli, and the U.S. Consumer Toy Safety Specification F963.



**Peg Perego S.p.A. is an ISO 9001 certified company.**

The fact that we are certified provides a guarantee of our honesty for our customers, and fosters trust in the company's way of working.

•Peg Perego reserves the right to modify or change their product. Price, literature, manufacturing processes or locations or any combination of these above mentioned entities may change at any time for any reason without notice with impunity.

## Years 3-8

## Weight capacity

## 130 lbs

### ⚠ CAUTION:

ELECTRIC VEHICLE NOT RECOMMENDED FOR CHILDREN UNDER 3 YEARS OF AGE. AS WITH ALL ELECTRIC PRODUCTS, PRECAUTIONS SHOULD BE OBSERVED DURING HANDLING AND USE TO PREVENT ELECTRIC SHOCK. RECHARGER INCLUDED. 120 VOLTS, 60Hz, 30W INPUT, 12 VOLTS (DC) OUTPUT.

#### CUSTOMER SERVICE

PEG PEREGO offers after-sales services, directly or through a network of authorized service centers for repairs or replacement parts. See the back cover of this instruction manual for contact information.

#### INITIAL BATTERY RECHARGE



Before riding, charge your battery for 18 hours to initiate them. Failure to do this can result in permanent battery damage.

! • Remove battery and charger from packaging. Connect battery charger to a domestic socket according to instructions provided. Connect battery charger to battery.

#### ASSEMBLY INSTRUCTIONS

### ⚠ CAUTION:

ADULT ASSEMBLY REQUIRED. USE CARE WHEN UNPACKING AS COMPONENTS TO BE ASSEMBLED MAY POSE A SMALL PARTS/SHARP EDGE HAZARD. BATTERY ALREADY INSTALLED IN VEHICLE.

#### ASSEMBLY

- 1 • Insert windshield tabs into hood. Rotate windshield "up" (see arrow).
- 2 • Secure windshield using the two screws (provided).
- 3 • Join the two steering wheel parts.
- 4 • Apply decal No. 22. Align steering wheel on its bar as shown in the figure.
- 5 • Attach the steering wheel using the screw and bolt supplied; make sure to fit the screw in the circular hole and the bolt in the hexagonal hole.
- 6 • Plug toy key into its slot on the dash board.
- 7 • Apply decal No. 6. Attach brush guard: Insert lower tabs into slots and slide into place over green pegs.
- 8 • Secure brush guard using the two screws supplied.
- 9 • Apply the chrome decals to the headlights positions as shown. Attach clear and orange headlight lenses as shown.
- 10 • Snap the nut cap into place, and repeat the operation on the other three wheels.
- 11 • Snap fuel cap onto its base.
- 12 • Slide the fuel cap and base into the slot on the vehicle body, aligning it as shown in the figure.
- 13 • Rotate it by 90 degrees until it stops.
- 14 • Split handles - using scissors, if necessary - and remove the two connecting plastic pieces.
- 15 • Unscrew the two screws you find on the dump bed (see figure). Remove plastic bushing. Keep these screws: you will use them later to attach the handles.
- 16 • Snap handles into place as shown in the picture.
- 17 • Attach handles with the two screws previously removed.
- 18 • Split mudguards - use scissors, if necessary- and remove connecting plastic pieces.
- 19 • Snap mudguards into place on the dump bed. NOTE: Mudguards must be attached according to letters printed inside of them: 'L' stands for 'left' and 'R' stands for 'right'.
- 20 • Split lenses - use scissors, if necessary- and remove the connecting plastic piece.
- 21 • Fit tabs in their slots on the mudguards; put in the external side first (A). Press down on the inner side (B) to lock lenses in place.
- 22 • Break connecting parts to remove oval pins from the dump bed extenders.
- 23 • Insert dump bed extenders in their housings on the back of the vehicle.
- 24 • Secure the dump bed extenders using the previously removed pins.
- 25 • Realign the dump bed on the vehicle.
- 26 • Align rear holes on the dump bed to those of the dump bed extenders. Secure the dump bed with the two oval pins previously removed.
- 27 • Join the spring and red latch as illustrated. Lift piston and fit red hook in its upper side as shown in the picture.
- 28 • Keep piston lifted and align its hole to the rear hole on the caisson (see figure).
- 29 • Secure pin in the front hole of the dump bed. Always make sure that pins are properly secured. Push the dump bed down.
- 30 • Line up the handles on the two sides of the double seat.
- 31 • Secure each handle with the three screws supplied.
- 32 • Align double seat to holes according to the child's height; secure it from underneath with the four knobs supplied. Gator has 4 positions (see figure).

#### BATTERY INSTALLATION

- 33 • Unscrew safety screw on brush guard/battery door.
- 34 • Unfasten side flaps pulling them outwards.
- 35 • Pull brush guard/battery door forward.
- 36 • Remove the metal retaining rod.
- 37 • Slide battery into compartment.
- 38 • Connect system plug to battery plug. Replace retaining rod and brush guard/battery door and secure with safety screw. The vehicle is ready for use.

#### VEHICLE FEATURES AND INSTRUCTIONS FOR USE

- 39 • A: TOY KEY. This key does not turn your vehicle on; it is a toy-key.  
B: HANDLE. Passengers can use this handle for additional safety when the vehicle is turned on.
- 40 • ELECTRIC ACCELERATOR with SMART PEDAL TECHNOLOGY. When accelerator is pressed completely down, forward motion is activated. When pedal is released halfway, neutral coasting action is engaged. Brake activates automatically when the child takes his foot off the accelerator. New SMART PEDAL

TECHNOLOGY feature allows for longer run time and more realistic driving.

- 41 • TAILGATE: The dump bed features a tailgate that can be opened by pushing the two red side levers upwards.
- 42 • DUMP BED: The dump bed can carry objects for a maximum of 22 lbs. To operate the dump bed, pull upward on red latch and unlock it as shown in the figure.
- 43 • GEAR LEVER. Gear has three speeds. Push gear lever downwards to activate rear gear; push it upwards to activate second gear. NOTE: Only first and rear gear work when the vehicle has just been taken out of its package. See steps 44 and 45 to activate second gear.
- 44 • Unscrew safety screw to release the high speed lockout pin.
- 45 • Secure the high speed lockout pin in the second hole as shown in the figure. The vehicle can now be shifted to 2nd speed. If you do not want your child to use the second speed, secure the high speed lockout pin in the first hole.

#### REPLACING THE BATTERY

- 46 • Open battery door following steps 31 - 33. Remove battery lock as shown in the figure.
- 47 • Disconnect plugs. Remove battery and replace it.
- 48 • Reconnect plugs. Mount battery lock and close battery lid. WARNING! Make sure battery lid is always properly fixed with its screw.
- 49 • Secure battery lock and close battery door. NOTE: Make sure battery door is always properly secured with its screw.

#### BATTERY RECHARGE

### ⚠ WARNING:

WARNING: BATTERY CHARGING AND ANY OTHER OPERATION ON THE ELECTRICAL SYSTEM MUST BE CARRIED OUT BY ADULTS ONLY. THE BATTERY CAN ALSO BE CHARGED WITHOUT REMOVING IT FROM THE VEHICLE.

- 50 • Disconnect plug A (electrical system) and plug B (battery).
- 51 • Connect battery charger to a domestic socket according to instructions provided. Connect plug B to plug C (battery charger).
- 52 • When the battery is ready, disconnect battery charger from the domestic socket; disconnect plug C and plug B. Properly fit plug B in plug A. Always make sure battery lid is properly closed and secured.

#### BATTERY MAINTENANCE AND SAFETY

### ⚠ CAUTION:

Only adults should recharge batteries, never children.

Never allow children to handle batteries.

Only use the batteries specified by the manufacturer.

Only use the charger specified by the manufacturer.

Do not mix old and new batteries. Do not mix alkaline, standard (carbon-zinc), or rechargeable (nickel-cadmium) batteries.

#### CHARGING THE BATTERY

- Charge the batteries no longer than 24 hours, following the instructions enclosed with the battery charger.
- Charge the battery, as the vehicle shows low power, in this way you will avoid damage to the battery.
- If you don't use your vehicle for a



long period of time unplug the battery from the main wire harness of the vehicle. Remember to charge the battery at least every three months.

- Never charge the battery upside down.
- Do not forget batteries during charging! Check them periodically.
- Never use a replacement recharger or batteries unless they are approved by PEG PEREGO.
- Batteries are sealed and maintenance free.
- Battery polarity must be observed when connecting battery to wiring.

## **⚠ WARNING:**

- BATTERIES CONTAIN TOXIC AND CORROSIVE SUBSTANCES. DO NOT TAMPER WITH THEM.
- Batteries contain an acid-based electrolyte.
- Do not make direct contact between battery terminals, as this can cause an explosion or fire.
- Charging produces explosive gases. Charge batteries in a well ventilated area away from sources of heat and flammable materials.
- Exhausted batteries are to be removed from the vehicle.
- Do not place the batteries near clothing to avoid damage.

### **IF A LEAK DEVELOPS**

Shield your eyes. Avoid direct contact with the electrolyte, protect your hands.

Place battery in a plastic bag and follow directions listed below.

**IF ELECTROLYTE COMES IN CONTACT WITH SKIN OR CLOTHING**  
Flush with cool water for at least 15 minutes.

See a physician at once.

### **IF ELECTROLYTE IS INGESTED**

Give tap water, milk of magnesia or egg whites at once.

Do not induce vomiting.

See a physician at once.

### **DISPOSAL OF BATTERIES**

Help protect the environment! Do not throw used batteries in your regular, household trash. Dispose of the old batteries in an approved dumping station; contact your local environmental protection agency office for further information.



## **VEHICLE MAINTENANCE AND SAFETY**

This product conforms to EN 71 and conforms to EN 50088 safety standard for electric toys.

This vehicle is not intended for use on streets, around traffic or parked cars.

This product meets and/or exceeds all ASTM TOY SAFETY STANDARDS, including F 963, Consumer Toy Safety Specifications.

### **MAINTENANCE AND CARE**

- Regularly check the conditions of the vehicle, particularly the electrical system, the plug connections, the covering caps and the charger. In case of fault, do not try to use the vehicle and the charger. For repair use only original PEG PEREGO's spare parts.
- PEG PEREGO assumes no liability if the electrical system is tampered with.
- Do not leave vehicle or batteries near sources of heat such as radiators, stoves, fireplaces, etc.
- Protect vehicle from water, rain, snow, etc.
- It can operate on grass, dirt or hard surfaces.
- When operating in overload conditions, such as soft deep sand, mud or rough uneven terrain, the overload circuit breaker will automatically disconnect the power. After 10 or more seconds, the circuit breaker will automatically reset, however you must eliminate overload conditions to resume normal driving.
- Periodically lubricate (with a light weight oil) moving parts, such as wheel bearings, steering linkages, where they rotate or touch one another.
- The vehicle's surface can be cleaned with a damp cloth. Do not use abrasive cleaners. The cleaning must be carried out by adults only.
- Never disassemble the vehicle mechanisms or motor unless authorized by PEG PEREGO.

Conforms to EN 50088  
Rechargeable battery 12V 12Ah sealed lead-acid battery.  
Two 170W motors

### **SAFETY**

## **⚠ WARNING:**

- To reduce the risk of injury: adult supervision is required. Never use in roadways, near motor vehicles, on or near steep inclines or steps, swimming pools or other bodies of water; always wear shoes, and never allow more than 2 riders.

- Surfaces that are appropriate for safe use: grass, gravel, hard surfaces, inclines up to 17%.
- Not suitable for children under the age of 36 months. The small pieces could be swallowed or inhaled.
- The dump bed is not designed to support a child's weight. Do not place loads over 22 lbs. in the dump bed.
- Never use the vehicle on steep slopes or near steps or stairs. This vehicle is not suitable for use on public highways.
- Do not allow children to place their hands, feet or any part of their body, clothing or other articles near the moving parts while vehicle is in operation.
- Do not allow the electrical components, motors, wiring, switches of your motorized vehicle to become wet and never wash it with a hose.
- Never use gasoline or other flammable substances near the vehicle.
- The vehicle is designed just for two children: never allow more than two riders.

## **RULES FOR SAFE DRIVING**

**DON'T STOP THE FUN:** always have freshly charged, back-up batteries on hand.

For your child's safety: please read and follow all instructions below before operating.

### **2nd SPEED**

Initially we suggest using only the 1st speed and the reverse gear. Before moving into 2nd speed be sure that the child has become familiar with operating the vehicle.

- **1ST SPEED** slow speed (beginner drivers):  
With both hands on the steeringwheel, press down on the accelerator pedal; the vehicle goes forward at 2 1/4 mph.
- **2ND SPEED** fast speed (experienced drivers):  
With both hands on the steeringwheel, press down on the accelerator pedal; the vehicle goes forward at 4 1/2 mph.
- **REVERSE:**  
Place the left hand on the steeringwheel. With the right hand holding the gearshift in reverse, press your foot down on the accelerator; the vehicle reverses at 2 1/4 mph. (Reverse is spring-loaded for safety).

- **BRAKE:**  
The electric braking system stops the vehicle automatically when your child lifts his foot off the pedal.

Teach your child the proper use of this vehicle for a safe and fun play time.

- Before starting be sure that the way is free from people and objects.
- Drive with both hands on the steeringwheel and keep your eyes on the road at all times.
- Stop in time to avoid accidents.
- Use the 2nd speed only after your child has the maturity and the reflexes to operate the vehicle safely.

## ⚠ CAUTION:

- **In first gear, the vehicle has a differential effect like real cars; on smooth terrain and with one child, the two wheels may turn at different speeds, resulting in possible sliding/deceleration.**
- **When operating in overload conditions, such as soft deep sand, mud or rough uneven terrain, the overload circuit breaker will automatically disconnect the power. After 10 or more seconds, the circuit breaker will automatically reset, however you must eliminate overload conditions to resume normal driving.**

## PROBLEMS?

IF THE VEHICLE DOES NOT OPERATE?

- Check that all the plugs are properly connected.
- Check to make sure that no wires are disconnected from the reduction gears.
- Check the accelerator switch, if vehicle runs replace switch.
- Check that the battery is connected to the electrical system.

IF THERE IS NO POWER?

- Fully recharge the batteries. If the problem persists, check with an Authorized PEG PEREGO Service Center.

## ESPAÑOL

•PEG PEREGO® le agradece que haya elegido este producto.  
Hace más de 50 años que PEG PEREGO lleva a pasear a los niños: al nacer, con sus famosos cochecuna y coches de paseo, después con los fantásticos vehículos de juguete a pedal y con batería.

•Lea atentamente este manual de instrucciones para familiarizarse con el uso del modelo y enseñar a su niño un modo de conducir correcto, seguro y divertido. Conserve después el manual para cualquier consulta futura.

•Nuestros juguetes respetan los requisitos de seguridad previstos por el Consejo de la EEC, por el "U.S. Consumer Toy Safety Specification" y están aprobados por el T.U.V. y por el I.I.S.G. Istituto Italiano Sicurezza Giocattoli.



**Peg Perego S.p.A. cuenta con la certificación ISO 9001.**

Dicha certificación ofrece tanto a los clientes como a los consumidores la garantía de una transparencia y confianza por lo que concierne al modo de trabajar de la empresa.

•Peg Perego podrá modificar los modelos descritos en este prospecto, por razones técnicas o comerciales.

## Años 3-8

### Peso trasportable

### 130 lbs/60 kg

## ⚠ PRECAUTION:

LOS VEHICULOS ELECTRICOS NO SON RECOMENDABLE PARA NIÑOS MENORES DE 3 AÑOS. COMO TODOS LOS PRODUCTOS ELECTRICOS, CUANDO SE ESTA MANEJANDO OBSERVE LAS MEDIDAS DE PRECAUCION PARA PREVENIR UN CHOQUE ELECTRICO. EL CARGADOR ESTA INCLUIDO. 120 VOLTS, 60Hz, 30W DE ENTRADA, 12 VOLTS (DC) DE SALIDA.

## SERVICIO DE ASISTENCIA

PEG PEREGO ofrece un servicio de asistencia post-venta, directamente o a través de una red de centros de asistencia técnica autorizados, para eventuales reparaciones o substituciones y venta de recambios originales. Vea la cubierta trasera de este manual de instrucción para infomación del contacto.

## PRIMERA CARGA DE LA BATERÍA



Antes de utilizar el vehículo por primera vez, cargar las baterías durante 18 horas. No respetar este procedimiento podría causar daños irreversibles a la batería, anulando su garantía.

- ! • Introducir el enchufe del cargador de baterías a una toma doméstica siguiendo las instrucciones adjuntas.

## INSTRUCCIONES DE MONTAJE

## ⚠ PRECAUTION:

REQUIERE MONTAJE DE UN ADULTO. ALGUNOS COMPONENTES AL SER

This document was created with Win2PDF available at <http://www.win2pdf.com>.  
The unregistered version of Win2PDF is for evaluation or non-commercial use only.  
This page will not be added after purchasing Win2PDF.