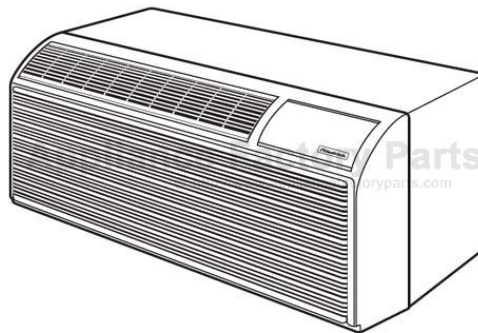


This Owner's Manual is provided and hosted by [Appliance Factory Parts](#).



FRIEDRICH PDE15K5SE-A Owner's Manual

[Shop genuine replacement parts for FRIEDRICH
PDE15K5SE-A](#)



[Find Your FRIEDRICH Air Conditioner Parts - Select From 1575 Models](#)

----- Manual continues below -----



F R I E D R I C H

Parts Manual – R410A Models



PTAC - PD Series (Electronic Controls)

Packaged Terminal Air Conditioners

Packaged Terminal Heat Pumps

PTAC PARTS E (1-2010)

Table of Contents

| | |
|---------------------------------------|-----|
| Unit Identification | 2 |
| PTAC System Components | 3 |
| PTAC System Components (Cont'd) | 4 |
| Control Panel | 5 |
| Front Cover | 6 |
| Parts List | 7-8 |

UNIT IDENTIFICATION

Model Number Code

PD H 07 K 3 S E A



PTAC Serial Number Identification Guide

| SERIAL NUMBER | A | K | A | M | 00001 |
|---------------------------|---------|---------|---------|---|---------------------------------|
| YEAR MANUFACTURED | | | | | PRODUCTION RUN NUMBER |
| LJ = 2009 AE = 2015 | | | | | PRODUCT LINE M = PTAC |
| AK = 2010 AF = 2016 | | | | | |
| AA = 2011 AG = 2017 | | | | | |
| AB = 2012 AH = 2018 | | | | | |
| AC = 2013 AJ = 2019 | | | | | |
| AD = 2014 | | | | | |
| MONTH MANUFACTURED | | | | | |
| A = Jan | D = Apr | G = Jul | K = Oct | | |
| B = Feb | E = May | H = Aug | L = Nov | | |
| C = Mar | F = Jun | J = Sep | M = Dec | | |

PTAC SYSTEM COMPONENTS



PTAC SYSTEM COMPONENTS (CONT'D)

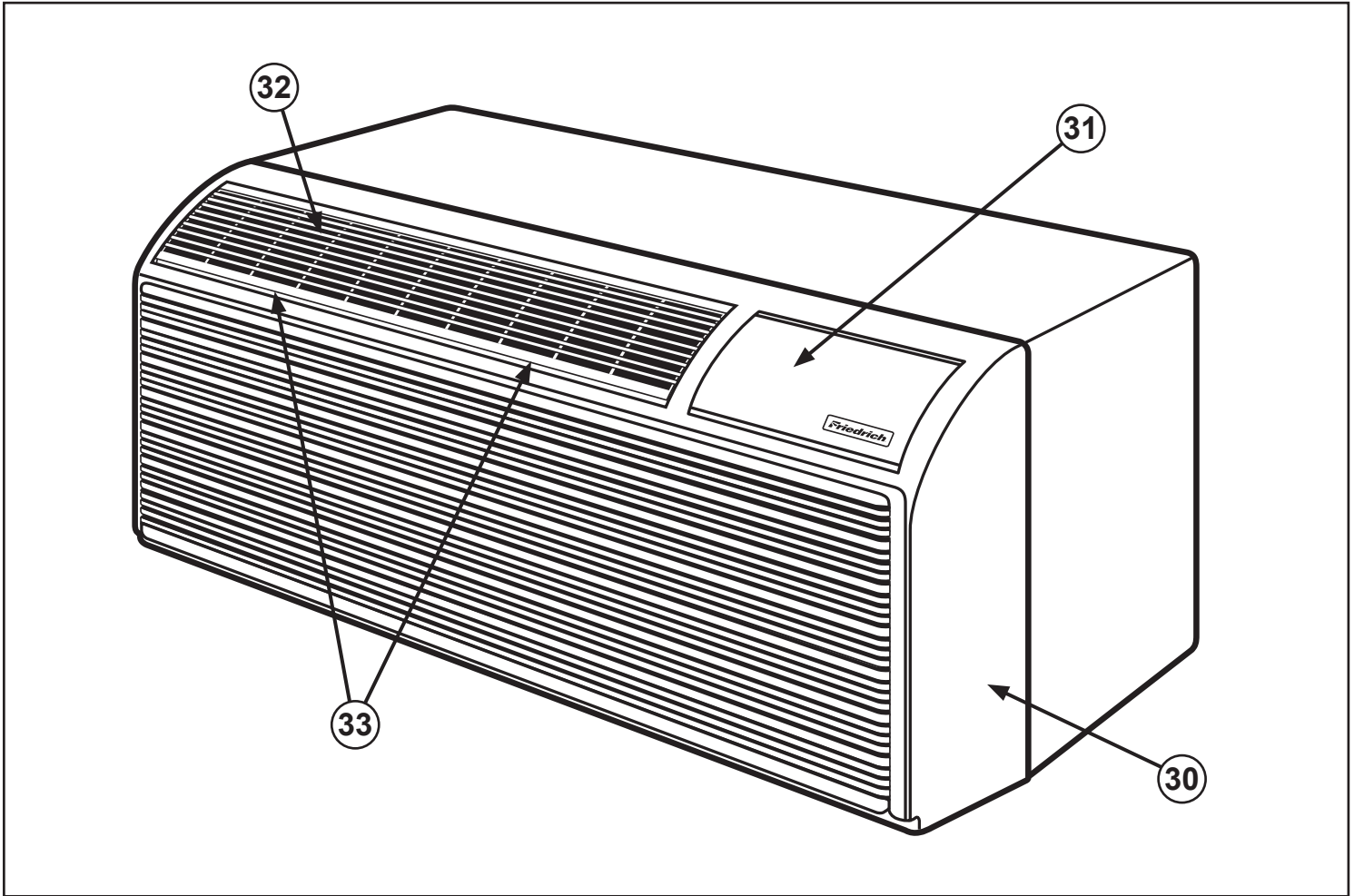


PTAC CONTROL PANEL



Note: Electronic control kit includes: Electronic control board, dual thermister, single thermister, thermister holder (2), escutcheons (Heat/Cool, Cool Only, Remote Thermostat, 3 total) and installation instructions.

PTAC FRONT COVER



TECHNICAL SUPPORT CONTACT INFORMATION



F R I E D R I C H

FRIEDRICH AIR CONDITIONING CO.

Post Office Box 1540 · San Antonio, Texas 78295-1540

4200 N. Pan Am Expressway · San Antonio, Texas 78218-5212

(210) 357-4400 · 1-800-541-6645 · FAX (210) 357-4490

www.friedrich.com

Printed in the U.S.A.