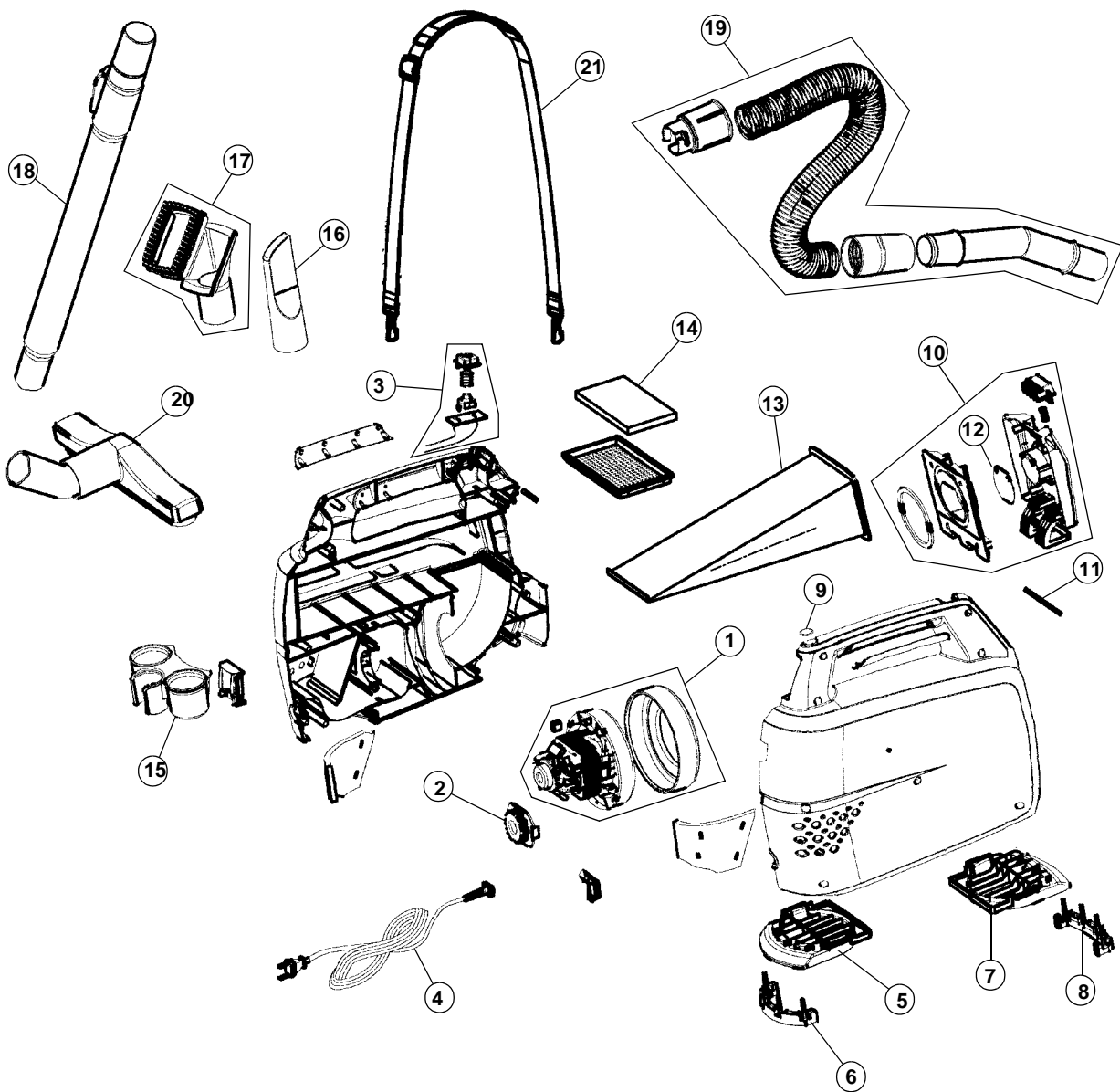


ASSEMBLY SCHEMATIC

MODEL NO.

SH10000



PART LISTING /

ITEM	PART NUMBER	MODELS To FIT	PART DESCRIPTION	LIST COST
1	H-2HVR101000	SH10000	MOTOR ASSEMBLY	
2	H-5002850590	SH10000	MOTOR GROMMET	
3	H-2HVR104000	SH10000	SWITCH ASSEMBLY WITH LEADS	
4	H-4000150590	SH10000	POWER CORD	
5	H-1001505911	SH10000	FOOT - FRONT	
6	H-5000450590	SH10000	RUBBER FOOT - FRONT	
7	H-1001505920	SH10000	FOOT - REAR	
8	H-5000450592	SH10000	RUBBER FOOT - REAR	
9	H-2000850590	SH10000	MEDALLION - HOOVER	
10	H-2HVR102000	SH10000	BAG DOOR ASSEMBLY	
11	H-3001250590	SH10000	PIN - BAG DOOR	
12	H-5000150590	SH10000	DIRT FLAP - BAG DOOR	
13	H-985059002	SH10000	TYPE I BAG	
14	H-5003850590	SH10000	INLET FOAM FILTER	
15	H-1004505906	SH10000	TOOL HOLDER	
16	H-1004505903	SH10000	CREVICE TOOL	
17	H-1004505901	SH10000	UPHOLSTERY TOOL	
18	H-2HVR100000	SH10000	TELESCOPING EXTENSION WAND	
19	H-2HVR103000	SH10000	HOSE ASSEMBLY	
20	H-2HVR105000	SH10000	NOZZLE FLOOR BRUSH ASSEMBLY	
21	H-5002650590	SH10000	SHOULDER CARRYING STRAP	

MODEL No.

SH10000