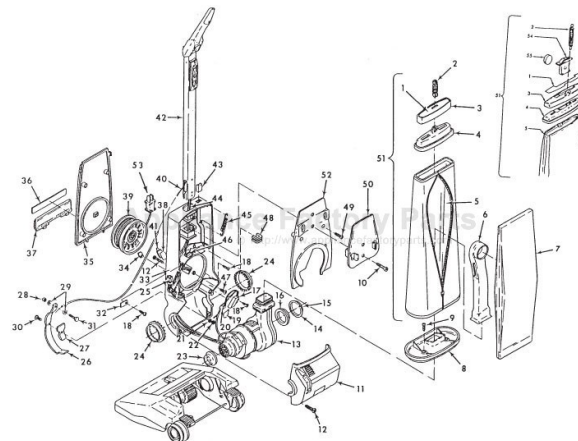


This Owner's Manual is provided and hosted by [Appliance Factory Parts](#).



# HOOVER U3307 Owner's Manual

[Shop genuine replacement parts for HOOVER U3307](#)



[Find Your HOOVER Vacuum Cleaner Parts - Select From 1456 Models](#)

----- Manual continues below part list -----

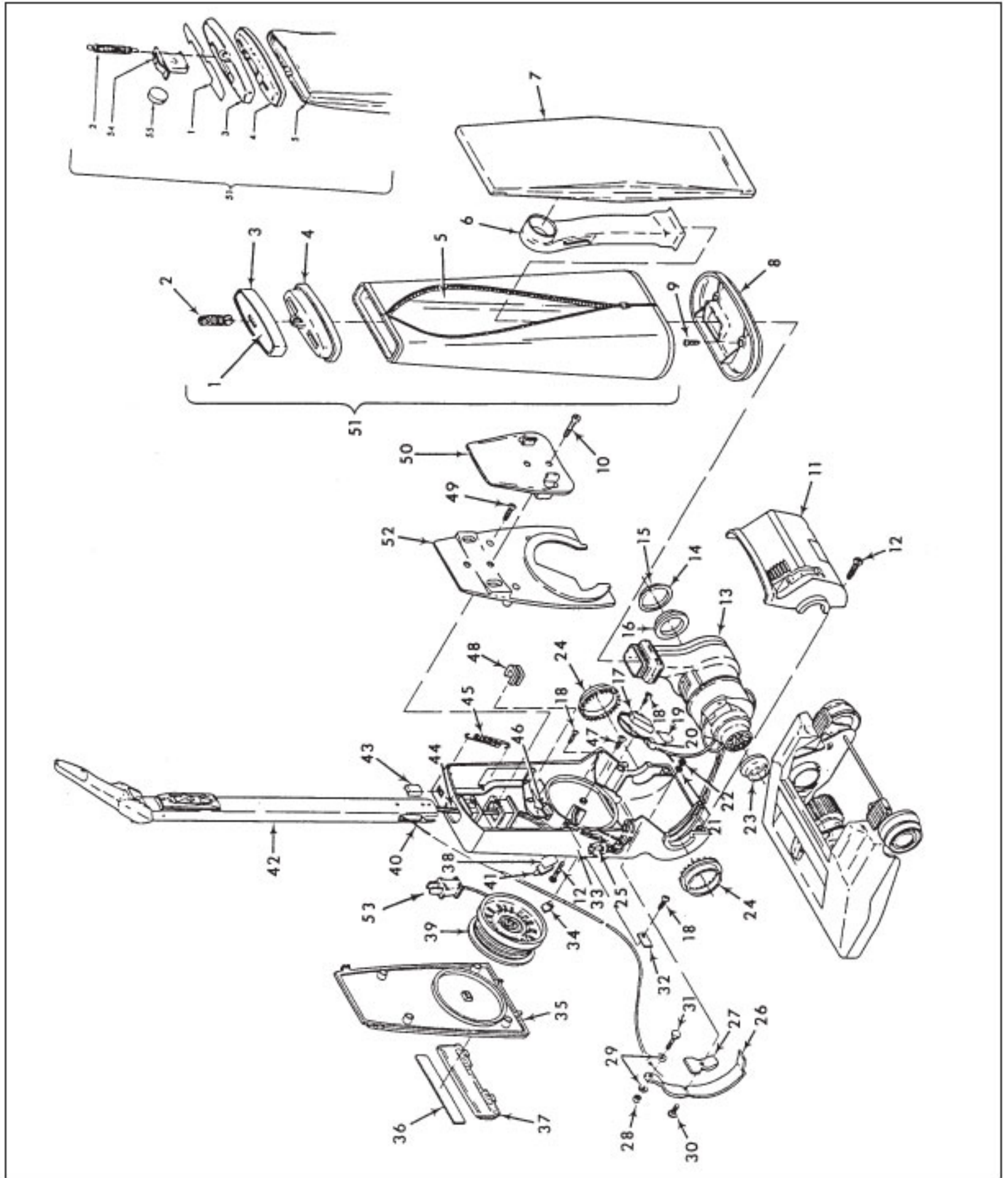
## Available Replacement Parts for HOOVER U3307

|                            |                              |
|----------------------------|------------------------------|
| <a href="#">H-40201030</a> | BELT, FLAT, 2 pack           |
| <a href="#">H-160147</a>   | BELT, FLAT, 1 PACK           |
| <a href="#">H-4010001A</a> | VACUUM BAG OEM HOOVER 3 PACK |
| <a href="#">H-43267002</a> | AGITATOR BEARING ASM         |
| <a href="#">HR-3420</a>    | SWITCH BUTTON                |
| <a href="#">K-109289</a>   | BULB                         |

# HOOVER Original

## CONCEPT ONE

Models U3101, U3103, U3105, U3105-035, U3105-930, U3107, U3109, U3109-100, U3223-9, U3225, U3305, U3305-030, U3307, U3311



Original

**HOOVER**

CONCEPT ONE

**Models U3101, U3103, U3105, U3105-035, U3105-930, U3107, U3109,  
U3109-100, U3223-9, U3225, U3305, U3305-030, U3307, U3311**

| KEY | PART NO.    | DESCRIPTION   | KEY | PART NO.   | DESCRIPTION   |
|-----|-------------|---|-----|------------|---|
| 1   | H-51639018  | Bag Cover Nameplate - U3101, U3103  | 20  | H-27617103 | Connector - All except U3109, U3109-100, U3222-9                        |
|     | H-51639032  | Bag Cover Nameplate - U3105, U3105-035, U3107   | 21  | H-19555    | Washer  |
|     | H-51639060  | Bag Cover Nameplate - U3225, U3305  | 22  | H-33423007 | Nut   |
|     | H-51639073  | Bag Cover Nameplate - U3105-930, U3305-030, U3307   | 23  | H-32162003 | Motor Mount - L.H.  |
| 2   | H-38334002  | Spring  | 24  | H-38511002 | Pivot Bearing   |
| 3   | H-42987002  | Bag Cover & Plate - U3101   | 25  | H-12227    | Insulated Terminal  |
|     | H-42987003  | Bag Cover & Plate - U3103   | 26  | H-43143071 | Actuator Bar Ass'y  |
|     | H-37959037  | Bag Cover & Plate - U3105, U3105-035, U3107, U3109, U3311   |     | H-43143075 | Actuator Bar Ass'y - U3103, U3109, U3311                                |
|     | H-42987011  | Bag Cover & Plate - U3225, U3305  |     | H-43143073 | Actuator Bar Ass'y - U3101, U3105, U3105-035, U3105-930, U3107, U3223-9 |
|     | H-37959055  | Bag Cover - U3223-9, U3307  |     | H-43143074 | Actuator Bar Ass'y - U3225, U3305, U3305-030                            |
|     | H-37959033  | Bag Cover - U3305-030   |     | H-43143076 | Actuator Bar Ass'y - U3307  |
|     | H-37959051  | Bag Cover - U3105-930   |     | H-43143077 | Actuator Bar Ass'y - U3109-100  |
|     | H-37959064  | Bag Cover - U3109-100   | 27  | H-38511027 | Pivot Bearing   |
| 4   | H-37959011  | Hanger - U3101, U3223-9   |     | H-38511008 | Pivot Bearing - U3225, U3305, U3305-030                                 |
|     | H-37959016  | Hanger - U3103, U3109, U3311  | 28  | H-160061   | Nut   |
|     | H-37959014  | Hanger - U3105, U3105-035, U3107  | 29  | H-160059   | Washer  |
|     | H-37959017  | Hanger - U3225, U3305   | 30  |            | Not Applicable - Component of #26                                       |
|     | H-37959029  | Hanger - U3305-030  | 31  | H-160058   | Bolt  |
|     | H-37959042  | Hanger - U3105-930  | 32  | H-34124011 | Retainer  |
|     | H-37959043  | Hanger - U3307  | 33  | H-42253164 | Front Housing Ass'y - U3101   |
|     | H-37959063  | Hanger - U3109-100  |     | H-42253136 | Front Housing Ass'y - U3103, U3109                                      |
| 5   | H-43677323  | Outer Bag - U3101, U3103, U3105, U3105-035, U3105-930, U3107, U3109, U3223-9, U3225, U3305, U3305-030 |     | H-42253152 | Front Housing Ass'y - U3105, U3105-035, U3105-930, U3107                |
|     | H-43677327  | Outer Bag - U3307   |     | H-42253137 | Front Housing Ass'y - U3223-9   |
|     | H-43677319  | Outer Bag - U3109-100   |     | H-42253149 | Front Housing Ass'y - U3225, U3305, U3305-030                           |
| 6   | H-38657010  | Top Fill Tube   |     | H-42253080 | Front Housing Ass'y - U3311   |
| 7   | H-4010001 A | Throw Away Bag (3 Pk.)  |     | H-42253139 | Front Housing Ass'y - U3307   |
| 8   | H-36425001  | Jacket Bottom   |     | H-42253159 | Front Housing Ass'y - U3109-100   |
| 9   | H-21447012  | Screw   | 34  | H-34124011 | Retainer  |
| 10  | H-21563001  | Screw   | 35  | H-42253155 | Front Cover Ass'y - U3101   |
| 11  | H-37195071  | Motor Cover - U3101, U3223-9  |     | H-42253113 | Front Cover Ass'y - U3103   |
|     | H-37195008  | Motor Cover - U3103, U3109, U3311   |     | H-42253114 | Front Cover Ass'y - U3105, U3105-035, U3105-930, U3107                  |
|     | H-37195006  | Motor Cover - U3105, U3105-035, U3105-930, U3107  |     | H-42253156 | Front Cover Ass'y - U3109, U3311  |
|     | H-37195007  | Motor Cover - U3225, U3305, U3305-030   |     | H-42253178 | Front Cover Ass'y - U3225, U3305, U3305-030                             |
|     | H-37195070  | Motor Cover - U3307   |     | H-42253063 | Front Cover Ass'y - U3223-9   |
|     | H-37195072  | Motor Cover - U3109-100   |     | H-42253021 | Front Cover Ass'y - U3307   |
| 12  | H-21447013  | Screw   |     | H-42253174 | Front Cover Ass'y - U3109-100   |
| 13  | H-43576024  | Motor Ass'y (See Detail) - U3109, U3223-9   | 36  | H-52115019 | Front Cover Nameplate - U3101, U3223-9                                  |
|     | H-43576038  | Motor Ass'y (See Detail)  |     | H-52115016 | Front Cover Nameplate - U3103, U3109, U3311                             |
|     | H-43576084  | Motor Ass'y (See Detail) - U3109-100  |     | H-52115031 | Front Cover Nameplate - U3105, U3105-035, U3105-930, U3107              |
| 14  | H-32155008  | Mount Ring  |     | H-52115080 | Front Cover Nameplate - U3225, U3305, U3305-030, U3307                  |
| 15  | H-32156007  | Seal Ring   |     | H-52115133 | Front Cover Nameplate - U3109-100                                       |
| 16  | H-32175011  | Motor Mount   |     |            |   |
| 17  | H-47176001  | Lamp Socket Ass'y - All except U3109, U3109-100, U3222-9  |     |            |   |
| 18  | H-21447003  | Screw   |     |            |   |
| 19  | H-27313101  | Dirt Finder Lamp (2) - All except U3109, U3109-100, U3223-9   |     |            |   |

# HOOVER Original

## CONCEPT ONE

Models U3101, U3103, U3105, U3105-035, U3105-930, U3107, U3109, U3109-100, U3223-9, U3225, U3305, U3305-030, U3307, U3311

| KEY | PART NO.   | DESCRIPTION   | KEY | PART NO.   | DESCRIPTION   |
|-----|--|---|-----|--|---|
| 37  | H-48111002<br>H-37246096<br>H-37246098<br>H-37246116 | Lens & Shield Ass'y<br>Panel - U3109<br>Panel - U3223-9<br>Panel - U3109-100  | 47  | H-160862<br>H-21447003   | Screw (Cord Reel w/Tapped Hole)<br>Screw (Cord Reel w/Untapped Hole)  |
| 38  | H-34165004   | Brush Block Insulator - U3101,<br>U3105, U3105-035, U3105-930,<br>U3107, U3225, U3305,<br>U3305-030, U3311  | 48  | H-36218007   | Ferrule - U3101, U3105, U3105-035,<br>U3105-930, U3107, U3225, U3305,<br>U3305-030, U3311   |
| 39  | H-46831106   | Cord Reel Ass'y - U3101, U3105,<br>U3105-035, U3105-930, U3107,<br>U3225, U3305, U3305-030, U3311   | 49  | H-21447020   | Screw   |
| 40  | H-31718002<br>H-31718005                             | Control Cable Tube<br>Control Cable Tube - U3109-100  | 50  | H-36425012   | Jacket Support  |
| 41  | H-47348045   | Brush Block Comp.- U3101,U3105,<br>U3105-035, U3105-930, U3107,<br>U3225, U3305, U3305-030, U3311   | 51  | H-43677208<br>H-43677150   | Outer Bag Comp. - U3103, U3311<br>Outer Bag Comp. -<br>U3105, U3105-035, U3107  |
| 42  | H-48641048   | Handle Tube - U3101, U3105,<br>U3105-035, U3105-930, U3107,<br>U3225, U3305, U3305-030,<br>(See Detail)   |     | H-43677327   | Outer Bag Comp. -<br>U3101, U3109, U3225, U3305   |
|     | H-48643115   | Handle Tube - U3101, U3109<br>(See Detail)  |     | H-43677044   | Outer Bag Comp. -<br>U3101, U3225, U3305  |
|     | H-48643110<br>H-48643052<br>H-48643116<br>H-48643147 | Handle Tube - U3223-9<br>Handle Tube - U3311<br>Handle Tube - U3307<br>Handle Tube - U3109-100<br>(See Detail)  |     | H-43677326<br>H-43677274<br>H-43677271<br>H-43677279<br>H-43677320 | Outer Bag Comp. - U3223-9<br>Outer Bag Comp. - U3105-330<br>Outer Bag Comp. - U3305-030<br>Outer Bag Comp. - U3307<br>Outer Bag Comp. - U3109-100 |
| 43  | H-38426032<br>H-38426033                             | Cord Release Button - U3101<br>Cord Release Button - U3105,<br>U3105-035, U3105-930, U3107,<br>U3225, U3305, U3305-030,<br>U3311                        | 52  | H-37257120<br>H-37257125   | Rear Housing Cover -<br>U3103, U3109, U3311<br>Rear Housing Cover - U3105,<br>U3105-035, U3105-930, U3107,<br>U3109-100, U3307                    |
| 44  | H-46514001   | Lead Wire Ass'y - U3101, U3105,<br>U3105-035, U3105-930, U3107,<br>U3225, U3305, U3305-030, U3311   |     | H-37257127   | Rear Housing Cover - U3101,<br>U3223-9, U3225, U3305, U3305-030   |
|     | H-46312014   | Lead Wire Ass'y - U3109,<br>U3109-100, U3223-9  | 53  | H-46383177   | Attachment Cord - U3101, U3105,<br>U3105-035, U3105-930, U3107,<br>U3225, U3305, U3305-030, U3311   |
| 45  | H-38333006   | Tension Spring - U3101, U3105,<br>U3105-035, U3105-930, U3107,<br>U3225, U3305, U3305-030, U3311  |     | H-46383238   | Attachment Cord - U3109,<br>U3109-100, U3223-9, U3307   |
| 46  | H-34121007   | Pad Cemented (Original Design) -<br>U3101, U3105, U3105-035, U3107,<br>U3225 - Not Interchangeable<br>w/36222008  | 54  | H-35111002   | Drawer - AG - U3105-930,<br>U3305-030, U3307  |
|     | H-36222008   | Pad - Force Fit (New Design) -<br>U3101, U3105, U3105-035, U3105-<br>930, U3107, U3225, U3305, U3305-<br>030, U3311 - Not Interchangeable<br>w/34121007 | 55  | H-57363003   | Air Freshener Tablet (4 Pk.) -<br>Spring Bouquet  |

### ITEMS NOT ILLUSTRATED

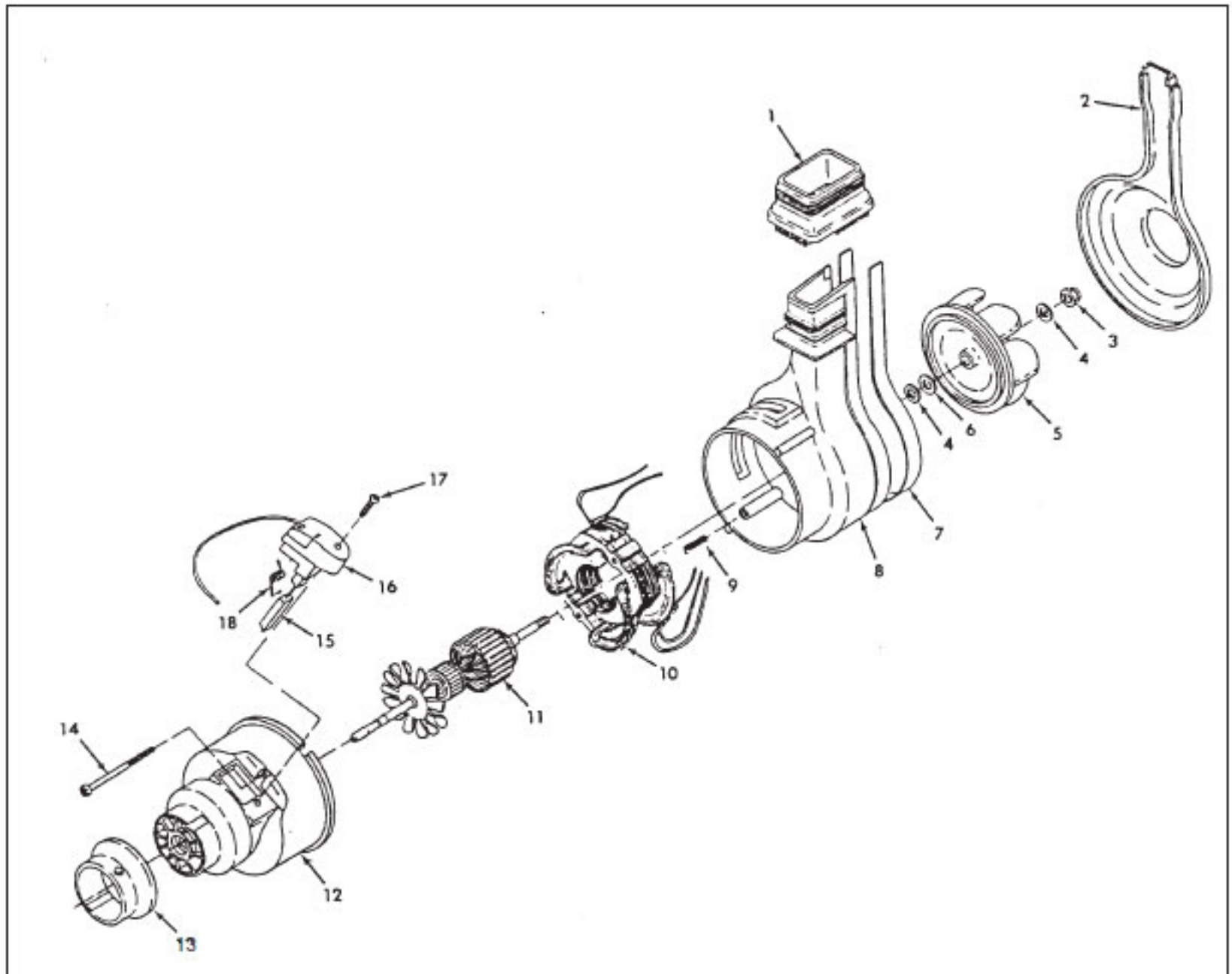
|            |  |
|------------|--|
| H-170975   | Wrench - Special (This is a 1/2", 12 point, deep offset box wrench used on lt. 31, Part #160058, Bolt, in conjunction with the adjustment of the control cable.) |
| H-34337001 | Bag Gasket (2)<br>(Use in conjunction w/Item 50)   |
| H-46831076 | Commutator<br>(Component of Cord Reel Ass'y)   |

Original

**HOOVER**

CONCEPT ONE

Models U3101, U3103, U3105, U3105-035, U3105-930, U3107,  
U3109, U3109-100, U3223-9, U3225, U3305, U3305-030,  
U3307, U3311, U4201, U4203, U4205, U4209, U4219

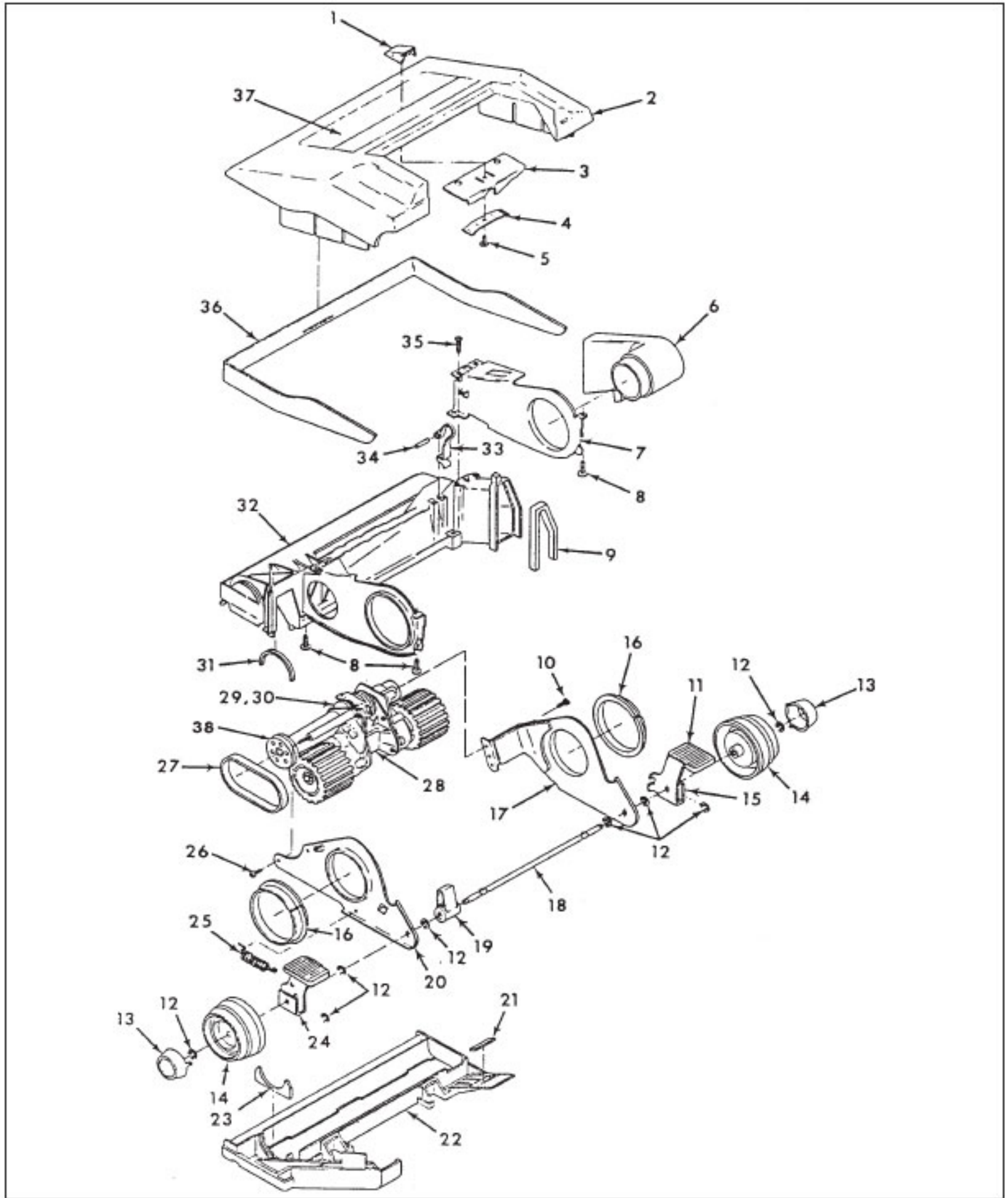


| KEY | PART NO.   | DESCRIPTION                                      | KEY | PART NO.   | DESCRIPTION                                     |
|-----|------------|--|-----|------------|---|
| 1   | H-38785002 | Seal   | 12  | H-42193004 | Motor Housing Ass'y                             |
| 2   | H-43588003 | Fan Cover Ass'y                                  | 13  | H-32162003 | Motor Mount                                     |
| 3   | H-33426001 | Nut  | 14  | H-21479573 | Screw   |
| 4   | H-166563   | Washer (2)                                       | 15  | H-167681   | Brush & Terminal Ass'y                          |
| 5   | H-38755003 | Fan  |     | H-47315010 | Brush & Terminal Ass'y -<br>U3109-100, U4219    |
| 6   | H-166563   | Washer - Heat Insulation                         | 16  | H-168457   | Brush Carrier Ass'y                             |
| 7   | H-54821001 | Tape   |     | H-47318008 | Brush Carrier Ass'y -<br>U3109-100, U4219       |
| 8   | H-43588001 | Fan Chamber Ass'y                                | 17  | H-21479302 | Screw   |
| 9   | H-12854    | Spring   | 18  | H-38353004 | Spring  |
| 10  | H-45317007 | Field Ass'y Comp.                                |     | H-43576024 | Motor Ass'y Comp. -<br>U3109, U3223-9 (1-Speed) |
|     | H-45312032 | Field Ass'y Comp. - U3109,<br>U3109-100, U3223-9 |     | H-43576038 | Motor Ass'y Comp. (2-Speed)                     |
|     | H-45317026 | Field Ass'y Comp. - U4219                        |     | H-43576068 | Motor Ass'y Comp. - U4219                       |
| 11  | H-44765065 | Armature Ass'y Comp.                             |     | H-43576084 | Motor Ass'y Comp. - U3109-100                   |
|     | H-44765210 | Armature Ass'y Comp. - U4219                     |     |            |   |
|     | H-44765213 | Armature Ass'y Comp. -<br>U3109-100              |     |            |   |

# HOOVER Original

## CONCEPT ONE

Models U3101, U3103, U3105, U3105-035, U3105-930, U3107, U3109, U3109-100, U3223-9, U3225, U3305, U3305-030, U3307, U3311



Original

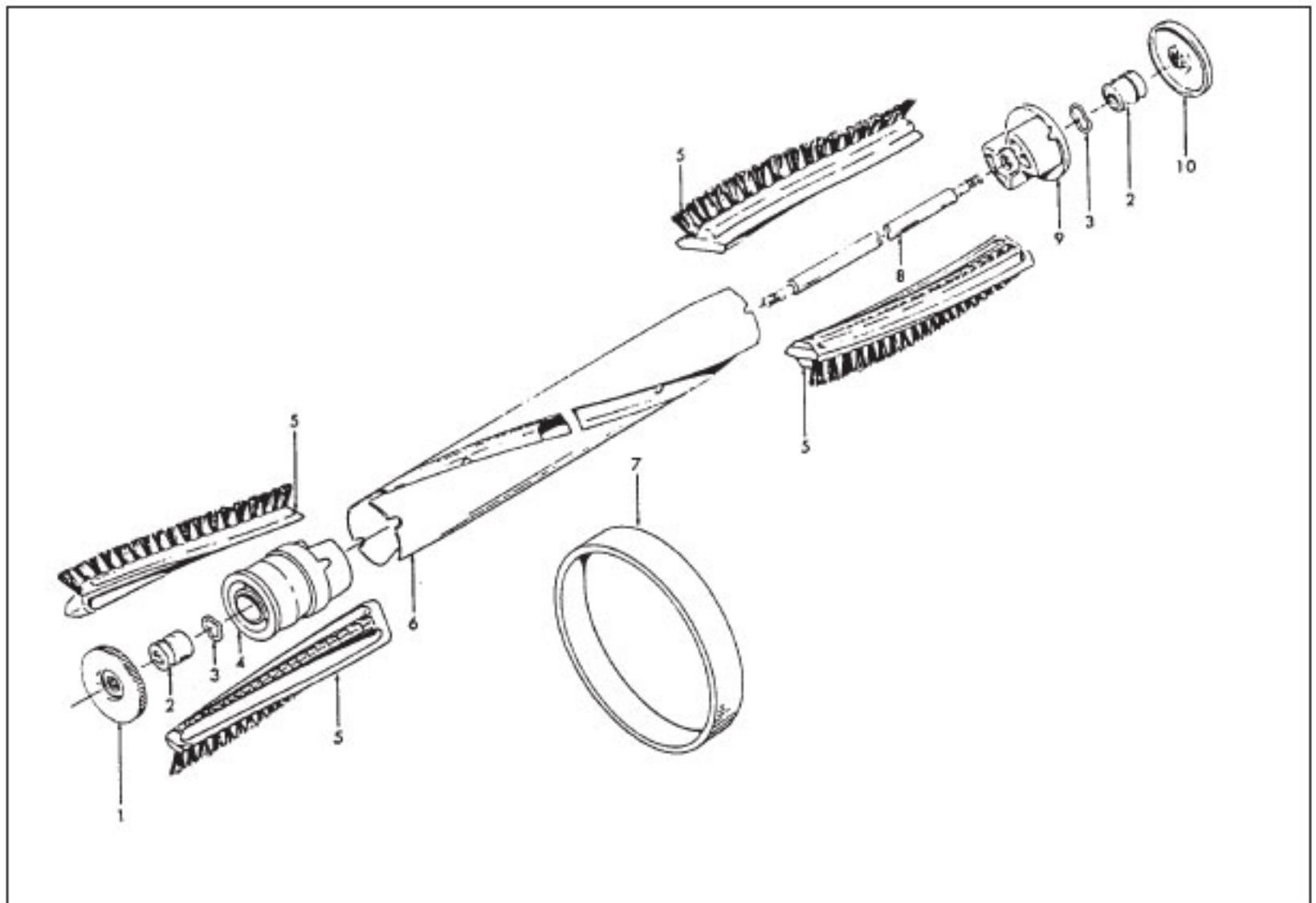
**HOOVER**

CONCEPT ONE

**Models U3101, U3103, U3105, U3105-035, U3105-930, U3107, U3109, U3109-100, U3223-9, U3225, U3305, U3305-030, U3307, U3311**

| KEY | PART NO.   | DESCRIPTION  | KEY                          | PART NO.   | DESCRIPTION  |
|-----|--|--|------------------------------|--|--|
| 1   | H-38421023<br>H-38421027<br><br>H-38421026<br><br>H-38421028<br>H-38421029<br><br>H-38421036<br>H-38421038<br>H-37253037<br>H-37253114<br><br>H-37253116<br>H-37253133<br>H-37253166 | Nozzle Adj. Lever<br>Nozzle Adj. Lever - U3101, U3103, U3109, U3223-9<br>Nozzle Adj. Lever - U3105, U3105-035, U3105-930, U3107<br>Nozzle Adj. Lever - U3311<br>Nozzle Adj. Lever - U3225, U3305, U3305-030<br>Nozzle Adj. Lever - U3307<br>Nozzle Adj. Lever - U3109-100<br>Hood<br>Hood - U3101, U3105, U3105-035, U3105-930, U3107, U3223-9<br>Hood - U3307<br>Hood - U3225, U3305, U3305-030<br>Hood - U3103, U3109, U3109-100, U3311                | 24                           | H-38452070<br><br>H-43131027<br><br>H-43131028<br><br>H-38452071   | Handle Release Lever - L.H. (Plastic) - U3103, U3109, U3311<br>Handle Release Lever - L.H. (Metal) - U3105, U3105-035, U3107<br>Handle Release Lever - L.H. (Metal) - U3225, U3305<br>Handle Release Lever - L.H. (Plastic) - AG<br>Spring (2)<br>Spring (2) - U3109-100   |
| 2   | H-37253114<br><br>H-37253116<br>H-37253133<br>H-37253166   | Hood<br>Hood - U3101, U3105, U3105-035, U3105-930, U3107, U3223-9<br>Hood - U3307<br>Hood - U3225, U3305, U3305-030<br>Hood - U3103, U3109, U3109-100, U3311   | 25                           | H-161513<br>H-38335014<br>H-16295<br>H-160147<br>H-43124009<br>H-163699<br>H-31142014<br>H-12173<br>H-42246064<br>H-34788001<br>H-31522016<br>H-21447003<br>H-36235020<br>H-36235028<br><br>H-36235021 | Spring (2)<br>Spring (2) - U3109-100<br>Screw<br>Belt<br>Power Drive Unit<br>Retaining Ring<br>Roller<br>Seal<br>Agitator Housing Ass'y<br>Agitator Clip<br>Agitator Clip Pin<br>Screw<br>Furniture Guard - U3103<br>Furniture Guard - U3105, U3105-035, U3105-930, U3107<br>Furniture Guard - AG - U3101, U3103, U3109, U3223-9, U3225, U3305, U3305-030, U3307, U3311<br>Furniture Guard - U3109-100   |
| 3   | H-38563015   | Cam  | 26                           | H-16295  | Screw  |
| 4   | H-34751002   | Detent Spring  | 27                           | H-160147   | Belt   |
| 5   | H-21447015   | Screw  | 28                           | H-43124009   | Power Drive Unit   |
| 6   | H-38656023   | Air Duct   | 29                           | H-163699   | Retaining Ring   |
| 7   | H-35476005   | Agitator Housing Bracket - R.H.  | 30                           | H-31142014   | Roller   |
| 8   | H-21447014   | Screw  | 31                           | H-12173  | Seal   |
| 9   | H-34123003   | Duct Seal  | 32                           | H-42246064   | Agitator Housing Ass'y   |
| 10  | H-16295  | Screw  | 33                           | H-34788001   | Agitator Clip  |
| 11  | H-38426024<br>H-38426030<br>H-38426030<br><br>H-38426028<br>H-13730  | Foot Pad - U3101, U3223-9<br>Foot Pad - U3103, U3223-9<br>Foot Pad - U3103, U3105, U3105-035, U3107, U3109, U3311<br>Foot Pad - U3225, U3305<br>Lock Ring (Use 8 on Models w/ Metal Handle Rel. Levers; Use 4 on Models w/Plastic Handle Rel. Levers)  | 34                           | H-31522016   | Agitator Clip Pin  |
| 12  | H-13730  | Lock Ring (Use 8 on Models w/ Metal Handle Rel. Levers; Use 4 on Models w/Plastic Handle Rel. Levers)  | 35                           | H-21447003   | Screw  |
| 13  | H-37911076<br>H-37912009<br>H-169242<br><br>H-37912001<br>H-37912009<br>H-38522017<br>H-38522018<br>H-38452059<br><br>H-43131019<br><br>H-36131018<br>U3109-100                      | Wheel Cover - U3101, U3223-9<br>Wheel Cover - U3103, U3109, U3311<br>Wheel Cover - U3105, U3105-035, U3105-930, U3107, U3225, U3305, U3305-030<br>Wheel Cover - U3307<br>Wheel Cover - U3109-100<br>Rear Wheel - AG<br>Rear Wheel - U3103, U3109, U3311<br>Handle Release Lever - R.H. (Plastic) - AG - U3103, U3109, U3311<br>Handle Release Lever - R.H. (Metal) - U3225, U3305<br>Spring Retainer (Use on U3109, Models w/o Handle Rel. Lever - R.H.) | 36                           | H-36235020<br>H-36235028<br><br>H-36235021<br><br>H-36235030<br>H-52115113<br>H-51831001<br>H-52115117<br><br>H-52115146<br>H-52115116<br><br>H-52115153<br>H-38537001                                 | Furniture Guard - U3103<br>Furniture Guard - U3105, U3105-035, U3105-930, U3107<br>Furniture Guard - AG - U3101, U3103, U3109, U3223-9, U3225, U3305, U3305-030, U3307, U3311<br>Furniture Guard - U3109-100<br>Hood Nameplate - U3101<br>Hood Nameplate - U3103<br>Hood Nameplate - U3105, U3105-035, U3105-930, U3107<br>Hood Nameplate - U3109, U3311<br>Hood Nameplate - U3223-9, U3225, U3305, U3305-030, U3307<br>Hood Nameplate - U3109-100<br>Drive Pulley |
| 14  | H-38522017<br>H-38522018   | Rear Wheel - AG<br>Rear Wheel - U3103, U3109, U3311  | 37                           | H-52115113<br>H-51831001<br>H-52115117<br><br>H-52115146<br>H-52115116<br><br>H-52115153<br>H-38537001   | Hood Nameplate - U3101<br>Hood Nameplate - U3103<br>Hood Nameplate - U3105, U3105-035, U3105-930, U3107<br>Hood Nameplate - U3109, U3311<br>Hood Nameplate - U3223-9, U3225, U3305, U3305-030, U3307<br>Hood Nameplate - U3109-100<br>Drive Pulley   |
| 15  | H-38452059<br><br>H-43131019<br><br>H-36131018<br>U3109-100  | Handle Release Lever - R.H. (Plastic) - AG - U3103, U3109, U3311<br>Handle Release Lever - R.H. (Metal) - U3225, U3305<br>Spring Retainer (Use on U3109, Models w/o Handle Rel. Lever - R.H.)  | 38                           | H-52115153<br>H-38537001   | Hood Nameplate - U3109-100<br>Drive Pulley   |
| 16  | H-32155004   | Pivot Bearing  | <b>PACKAGING MATERIAL</b>    |  |  |
| 17  | H-41967002   | Frame Ass'y - RH.  | H-56511041                   | Owner Manual - U3103   |  |
| 18  | H-32547002   | Rear Axle  | H-56511061                   | Owner Manual   |  |
| 19  | H-38452048   | Handle Release   | H-56511247                   | Owner Manual - U3307   |  |
| 20  | H-35476011   | Frame - L.H.   | H-58366047                   | Carton - Common - Concept w/PD   |  |
| 21  | H-34112003   | Bottom Plate Duct Seal   | H-58366045                   | Carton - U3223-9   |  |
| 22  | H-42245039   | Bottom Plate Ass'y   | H-58366044                   | Front, Top & Bottom Support - U3225  |  |
| 23  | H-38781006   | Agitator Pulley Seal   | H-58219007                   | Front, Top & Bottom Support  |  |
|     |  |  | H-58385012                   | Tool Carton & End Support  |  |
|     |  |  | <b>ITEMS NOT ILLUSTRATED</b> |  |  |
|     |  |  | H-21312777                   | Washer (2) use on Models w/Plastic Handle Rel. Levers between Rear Wheels and Handle Rel. Levers   |  |
|     |  |  | H-160031                     | Nut (Power Drive Unit - Drive Shaft/ Drive Pulley)   |  |

Original **HOOVER**  
CONCEPT ONE, TWO & POWERMAX

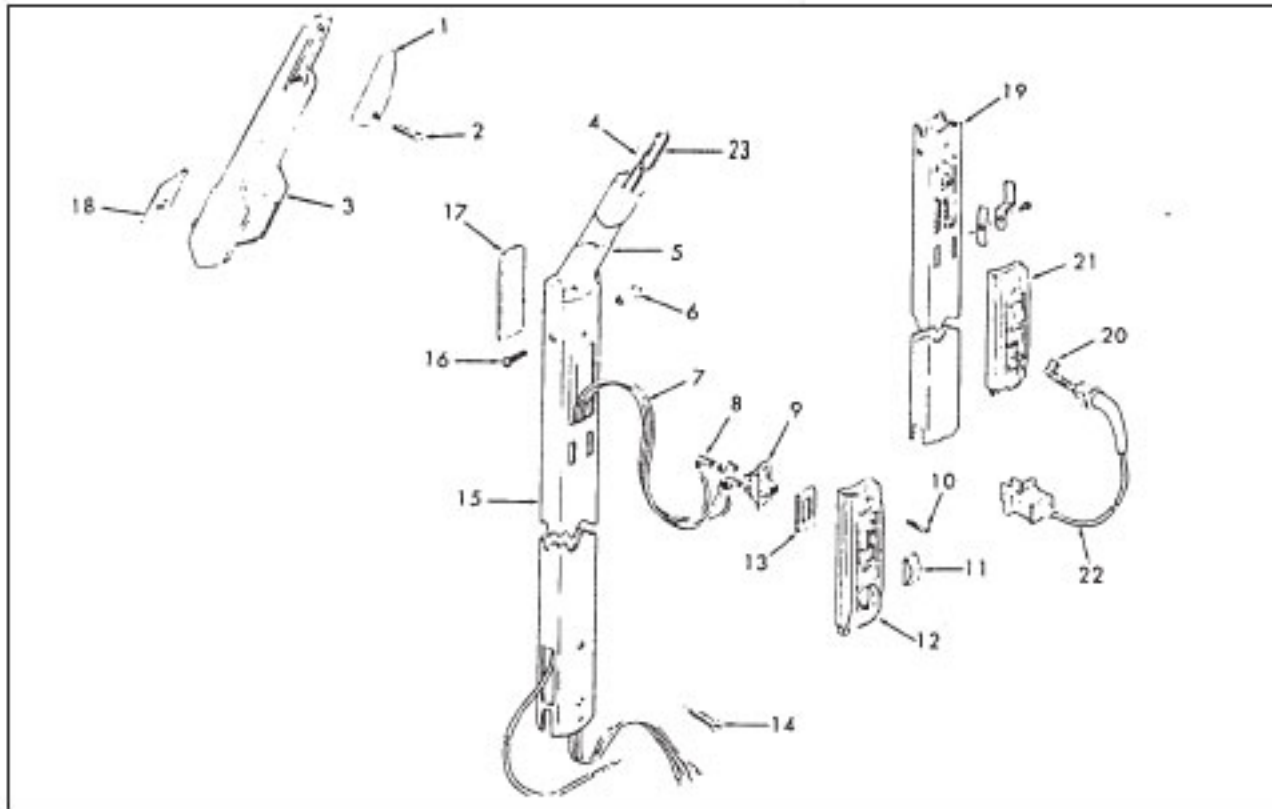


| KEY | PART NO.   | DESCRIPTION   |
|-----|------------|---|
|     | H-48414019 | Agitator Ass'y Comp. - U3315-070, U3341-900, U3721-910, U3729-910 |
|     | H-48416009 | Agaitator Ass'y Comp. - U3737-910, U3745-910                      |
| 1   | H-41435021 | Thread Guard  |
| 2   | H-43267002 | Agitator Bearing Ass'y (2)  |
| 3   | H-21347003 | Conical Washer (2)  |
| 4   | H-38537002 | Agitator End Pulley   |
| 5   | H-48445015 | Agitator Brush (4)  |
|     | H-48445016 | Agitator Brush (2) - U3315-070, U3341-900, U3721-910, U3729-910   |
| 6   |            | (Not Available)   |
| 7   | H-38528008 | Agitator Belt   |
| 8   | H-160070   | Agitator Shaft  |
| 9   | H-41435023 | Agitator End  |
| 10  | H-41435018 | Thread Guard  |

# HOOVER Original

## CONCEPT ONE

Models U3101, U3103, U3105, U3105-035, U3105-930, U3107, U3109, U3109-100, U3223-9, U3225, U3305, U3305-030, U3307, U3311



| KEY | PART NO.    | DESCRIPTION  | KEY | PART NO.    | DESCRIPTION   |
|-----|-------------|--|-----|-------------|---|
| 1   | H-160092 KH | Handle Cap -U3101, U3223-9   | 15  | H-48641048  | Handle Tube - U3101, U3105, U3105-035, U3105-930, U3225, U3305, U3305-030 |
| 1   | H-160092 LU | Handle Cap -U3103, U3109, U3311  | 15  | H-39467005  | Handle Tube - U3107   |
| 1   | H-160092 JM | Handle Cap -U3105, U3105-035, U3107  | 15  | H-39467008  | Handle Tube - U3311   |
| 1   | H-160092 JV | Handle Cap -U3105, U3105-035, U3105-930  | 16  | H-18805     | Screw - Special   |
| 1   | H-160092 HR | Handle Cap -U3109-100  | 17  | H-51639023  | Handle Tube Nameplate - U3101   |
|     | H-160092 AG | Handle Cap   |     | H-51639065  | Handle Tube Nameplate - U33103, U3311                                     |
| 2   | H-21575001  | Screw  | 17  | H-51639033  | Handle Tube Nameplate - U3105, U3105-035, U3105-930, U3107                |
| 3   | NLA         | Handle Ass'y - U3101, U3223-9  | 17  | H-51639057  | Handle Tube Nameplate - U3225, U3305, U3305-030, U3307                    |
| 3   | NLA         | Handle Ass'y - U3103, U3109, U3311   | 18  | H-51638010  | Handle Nameplate - U3101, U3223-9   |
| 3   | NLA         | Handle Ass'y - U3101, U3105, U3105-035, U3105-930, U3107, U3225, U3305, U3305-030, U3307 | 18  | H-51638024  | Handle Nameplate - U3103, U3109, U3311                                    |
| 3   | H-48663135  | Handle Ass'y - U3109-100   | 18  | H-51638013  | Handle Nameplate - U3105, U3105-035, U3105-930, U3107                     |
| 4   | H-43211004  | Control Cable  | 18  | H-51636018  | Handle Nameplate - U3225, U3305, U3305-030, U3307                         |
| 5   | H-36957006  | Handle Support - AG  | 18  | H-51638041  | Handle Nameplate - U3109-100  |
| 6   | H-32258010  | Nut - Special  | 19  | H-48643115  | Handle Tube - U3103, U3109  |
| 7   | H-46514001  | Lead Wire Ass'y  | 19  | H-48643110  | Handle Tube & Cord Release Ass'y U3223-9                                  |
| 7   | H-46312014  | Lead Wire Ass'y - U3109, U3109-100, U3223-9  | 19  | H-48643116  | Handle Tube & Cord Release Ass'y U3307                                    |
| 8   | H-27666702  | Terminal   | 19  | H-48643147  | Handle Tube & Cord Release Ass'y U3109-100                                |
| 9   | H-28179010  | Switch   | 20  | H-27666702  | Terminal - U3103, U3109, U3109-100, U3223-9                               |
| 9   | H-281770 KD | Switch - U3109, U3223-9  | 21  | H-37258058  | Switch Cover - U3103, U3109   |
| 9   | H-28177023  | Switch - U3109-100   | 21  | H-37258041  | Switch Cover - U3223-9  |
| 10  | H-21465314  | Screw  | 21  | H-37258059  | Switch Cover - U3307  |
| 11  | H-38421012  | Switch Button  | 21  | H-37258112  | Switch Cover - U3109-100  |
| 12  | H-37258035  | Switch Cover - U3101   | 22  | H-46383238  | Attach. Cord - U3103, U3109, U3109-100, U3223-9, U3307                    |
| 12  | H-37258069  | Switch Cover - U3105, U3105-035, U3105-930, U3107  | 23  | H-160095 AY | Tension Wire  |
| 12  | H-37258038  | Switch Cover - U3311   |     |             |   |
| 12  | H-37258039  | Switch Cover - U3225, U3305, U3305-030   |     |             |   |
| 13  | H-34138006  | Switch Pad   |     |             |   |
| 14  | H-21563001  | Screw  |     |             |   |

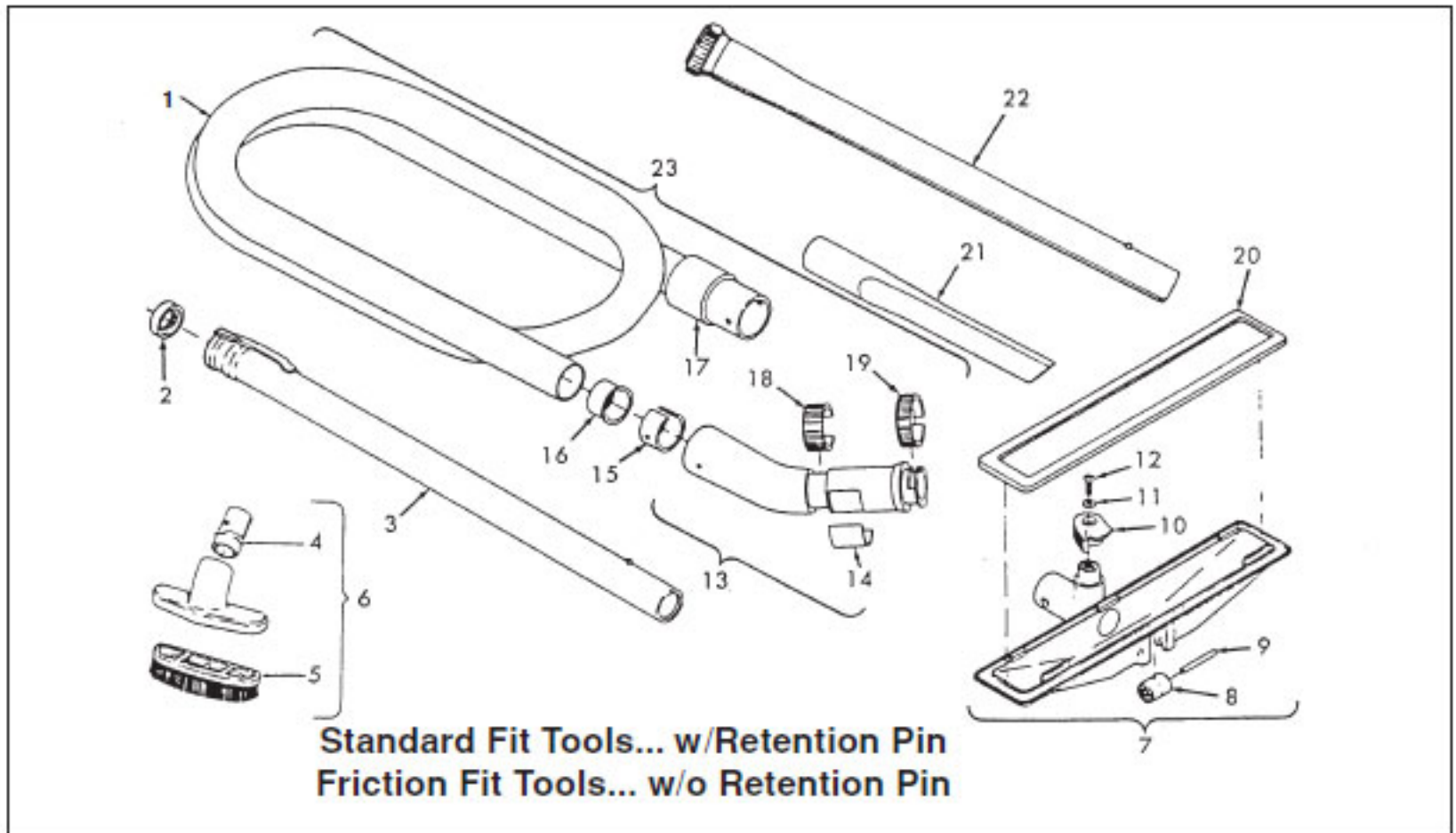
Original

**HOOVER**

CONCEPT

Cleaning Tools

Model U3903 (Standard), Model U3903-070 (Friction)



**Standard Fit Tools... w/Retention Pin**  
**Friction Fit Tools... w/o Retention Pin**

| KEY | PART NO.    | DESCRIPTION   | KEY | PART NO.    | DESCRIPTION  |
|-----|-------------|---|-----|-------------|--|
| 1   | H-43431069  | Hose Less Ends (Continuous Convolutions) - (Std. Fit Ends)  | 15  | H-36116006  | Hose Connector Collar (Use w/ Continuous Convolution Hose) - (Std. Fit Hose)         |
|     | H-43431182  | Hose Only (Std. Fit Ends)   |     | H-36171025  | Hose Connector Collar (Use w/ Circular Ribbed Hose) - (Std. Fit Hose)                |
|     | H-38671001  | Hose Less Ends (Circular Ribbed) - (Std. Fit Ends)  | 16  | H-32156010  | Hose Sleeve (Std. Fit Hose)  |
|     | H-38671025  | Hose Less Ends (Circular Ribbed) - (Friction Fit Ends)  | 17  | H-32288001  | Hose Connector (Use w/ Continuous convolution Hose) - (Std. Fit)                     |
| 2   | H-12845 JM  | Gasket  |     | H-32288003  | Hose Connector (Use w/Circular Ribbed Hose) - (Std. Fit)                             |
| 3   | H-13144     | Ext. Tube (Aluminum) - (Std. Fit)   | 18  | H-32288004  | Hose Connector - AAP - (FrictionFit)   |
| 4   | H-13149 JM  | Nozzle Connector Tube (Use w/161852 JM)   | 19  | H-38711006  | Suction Control Ring - (Standard)  |
| 5   | H-13254 BZ  | Brush Back Comp. (Use w/161852 JM)  | 20  | H-36153008  | Latch Ring - (Standard)  |
| 6   | H-161852 JM | Furniture Brush Comp.   | 21  | H-43548006  | Converter Seal   |
|     | H-43414017  | Multi-Purpose Brush (One Piece) - (Std. Fit)  | 22  | H-38617018  | Crevice Tool - (Std. Fit)  |
| 7   | H-43482077  | Converter - (Standard & Friction Fit)   |     | H-38617023  | Crevice Tool - (Friction Fit)  |
| 8   | H-32761008  | Wheel   | 23  | H-43453043  | Ext. Tube (Polystyrene) - (Std. Fit)   |
| 9   | H-21155119  | Roller Shaft  |     | H-38634074  | Ext. Tube (Polystyrene) - (Friction Fit)   |
| 10  | H-38452054  | Latch Lever   |     | H-43434203  | (Continuous Convolutions) (w/o Suction Regulator) - (Std. Fit)                       |
| 11  | H-31142012  | Washer  |     | H-43434209  | Hose Comp. - Front Conversion (Circular Ribbed) (w/o Suction Regulator) - (Std. Fit) |
| 12  | H-17001     | Screw   |     | H-43434225  | Hose Comp. - AAP - (Friction Fit)  |
| 13  | H-43466042  | Hose Connector Curved w/Rings - JM (Use w/Continuous Convolution Hose) - (Std. Fit)               |     | H-43414071  | Furniture Nozzle - (Std. Fit)  |
|     | H-43466055  | Hose Connector Curved w/Ring (w/o Suction Regulator) (Use with Circular Ribbed Hose) - (Std. Fit) |     | H-38614026  | Furniture Nozzle - (Friction Fit)  |
|     | H-39454053  | Hose Connector Curved - AAP - (Hand Grip) - (Friction Fit)  |     | H-43466040  | Ext. Tube - Curved   |
| 14  | H-51869006  | Hose Connector Label  |     | H-170110 -- | Shag Rake  |
|     |             |   |     | H-43414129  | Dusting Brush - (Friction Fit)   |
|     |             |   |     | H-43414135  | Floor Brush - (Friction Fit)   |