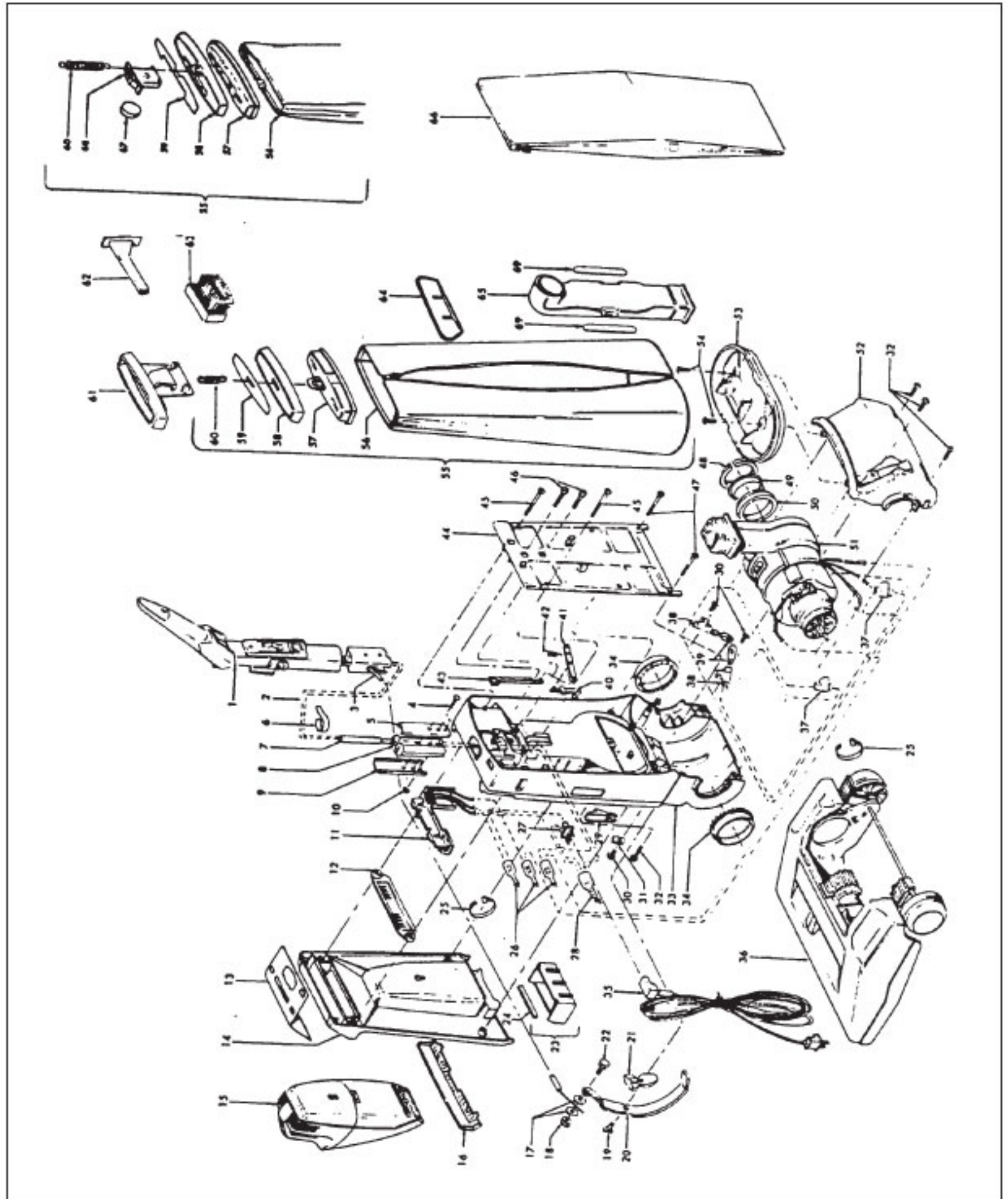


HOOVER Original

CONCEPT TWO

Models U3301, U3301-030



Original

HOOVER

CONCEPT TWO

Models U3301, U3301-030

KEY	PART NO.	DESCRIPTION	KEY	PART NO.	DESCRIPTION
1		Handle Ass'y (See Detail)	41	H-36153020	Pivot Link - JM
2	H-46313019	Lead Wire Ass'y	42	H-38333004	Spring
3	H-31718002	Control Cable Tube	43	H-38458015	Release Lever - KS
4	H-21254008	Rivet	44	H-37257092	Rear Cover - JM
5	H-35152011	Handle Mounting Bracket - Rear Half	45	H-21447025	Screw - Self Tapping (2)
6		Tape	46	H-21563001	Screw - Machine (2)
7	H-36913016	Insulating Tube	47	H-21447019	Screw - Self Tapping (2)
8	H-36913016	Handle Insulator Kit	48	H-32155008	Mount Ring
9	H-35152008	Handle Mounting Bracket - Front Half	49	H-32156007	Seal Ring
10	H-168278 AY	Washer	50	H-32175011	Motor Mount - R.H.
11	H-46851016	Printed Circuit Board Ass'y	51		Motor Ass'y (See Detail)
12	H-35123001	Front Cover Insert - AG	52	H-37195006	Motor Cover - KS
13	H-51467005	Housing Nameplate	53	H-36425001	Jacket Bottom - JM
14	H-37254032	Front Cover - KS	54	H-21447012	Screw - Self Tapping (2)
15		Model S1057-300 - Hand Held Cleaner (See Hand-Stick Cleaner Section)	55	H-43677333	Outer Bag Comp. - KS/KT - U3301-030
16	H-48111006	Lens - Shield Ass'y	56	H-43677326	Outer Bag
17	H-160059	Washer (*)	57	H-37959017	Hanger - KT
18	H-160061	Nut		H-37959029	Hanger - KT - U3301-030
19	H-33423007	Nut	58	H-42987015	Bag Cover & Nameplate
20	H-43143034	Actuator Bar Ass'y		H-37959033	Bag Cover - KT- U3301-030
21	H-38511008	Pivot Bearing	59	H-51639018	Bag Cover Nameplate
22	H-160058	Bolt		H-51639073	Bag Cover Nameplate - U3301-030
23	H-41211020	Support Boot Ass'y - AG	60	H-38334002	Spring
24	H-34123023	Protector Strip	61	H-36433010	Tool Rack - KT
25	H-27479307	Lead Wire Tie (2)	62	H-38617009	Crevice Tool - AG
26	H-12227	Insulated Terminal (3)	63	H-48451001	Dusting Brush Ass'y - AG
27	H-47116002	Terminal Plate - AG	64	H-36425037	Jacket Support - KS
28	H-18972	Insulated Terminal	65	H-38657010	Top Fill Tube - AG
29	H-42983005	Cord Wrap Housing Ass'y - KS	66	H-4010001 A	Throw Away Bag (3 Pk)
30	H-21447003	Screw - Self Tapping (4)	67	H-57363003	Air Freshener Tablet (4 Pk)
31	H-34124011	Retainer	68	H-35111002	Spring Bouquet
32	H-21447013	Screw - Self Tapping (4)	69	H-36131050	Drawer - AG- U33-1-030
33	H-42253182	Front Housing Ass'y - KS - (Inc. Items 4, 5, 8, 9, 10)			Jacket Retainer - U3301-030 & Later Models - U3301
34	H-38511002	Bearing (2)			
35	H-46388002	Attachment Cord - JM			
36		Agitator Housing (See Detail)			
37	H-27617103	Bearing (2)			
38	H-47176001	Lamp Socket Ass'y (2)			
39	H-27313101	Dirt Finder Lamp (2)			
40	H-36155015	Lock Bar - JM			

ITEMS NOT ILLUSTRATED

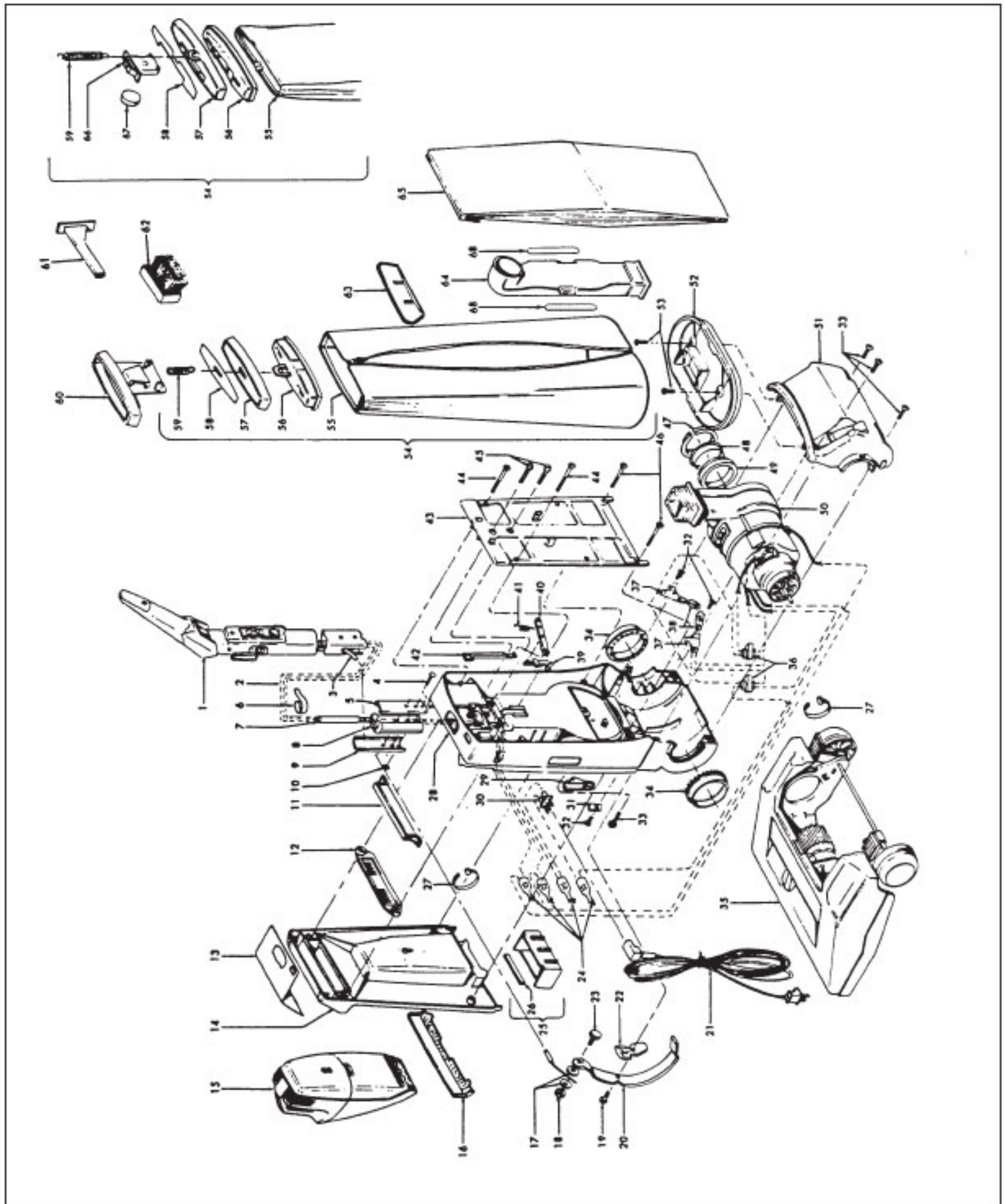
H-170975

Wrench - Special (This is a 1/2", 12 point, deep offset box wrench used on it. 23, Part #160058, Bolt, in conjunction with the adjustment of the control cable).

HOOVER Original

CONCEPT TWO

Models U3303, U3303-030, U3309



Original

HOOVER

CONCEPT TWO

Models U3303, U3303-030, U3309

KEY	PART NO.	DESCRIPTION	KEY	PART NO.	DESCRIPTION
1		Handle Ass'y (See Detail)	40	H-36153020	Pivot Link - JM
2	H-46514009	Lead Wire Ass'y	41	H-38333004	Spring
3	H-31718002	Control Cable Tube	42	H-38458016	Release Lever - JK
4	H-21254008	Rivet		H-38458015	Release Lever - KS - U3309
5	H-35152011	Handle Mounting Bracket - Rear Half	43	H-37257092	Rear Cover - JM
6		Tape	44	H-21447025	Screw - Self Tapping (2)
7	H-31735007	Insulating Tube	45	H-21563001	Screw - Machine (2)
8	H-36913016	Handle Insulator Support	46	H-21447019	Screw - Self Tapping (2)
9	H-35152008	Handle Mounting Bracket - Front Half	47	H-32155008	Mount Ring
10	H-168278 AY	Washer	48	H-32156007	Seal Ring
11	H-34736001	Filler Plate - LY	49	H-32175011	Motor Mount - R.H.
12	H-35123001	Front Cover Insert - AG	50		Motor Ass'y (See Detail)
13	H-51355001	Housing Nameplate	51	H-37195008	Motor Cover - TF
	H-51355009	Housing Nameplate - U3309		H-37195070	Motor Cover - MT - U3309
14	H-37254033	Front Cover - TF	52	H-36425001	Jacket Bottom - JM
	H-37254043	Front Cover - MT - U3309	53	H-21447012	Screw - Self Tapping (2)
15		Model S1057-400, S1057-700 - Hand Held Cleaner (See Hand-Stick Cleaner Section)	54	H-43677333	Outer Bag Comp. VR/AG
16	H-48111006	Lens - Shield Ass'y		H-43677328	Outer Bag Comp. - VR/AG - U3303-030
17	H-160059	Washer (2)		H-43677279	Outer Bag - MT/MU - U3309
18	H-160061	Nut	55	H-43677326	Outer Bag - VR/AG
19	H-33423007	Nut		H-43677327	Outer Bag - MT/MU
20	H-43143075	Actuator Bar Ass'y - TF	56	H-37959024	Hanger - LU
	H-43143076	Actuator Bar Ass'y - MT - U3309		H-37959040	Hanger - LU - U3303-030
21	H-46388002	Attachment Cord - JM		H-37959043	Hanger - MU - U3309
22	H-38511027	Pivot Bearing - AG	57	H-42987013	Bag Cover & Nameplate
	H-38511007	Pivot Bearing - JM		H-37959039	Bag Cover - LU - U3303-030
23	H-160058	Bolt		H-37959052	Bag Cover - MU - U3309
24	H-12227	Insulated Terminal (4)	58	H-51639018	Bag Cover Nameplate
25	H-41211020	Support Boot Ass'y - AG		H-51639073	Bag Cover Nameplate - U3303-030, U3309
26	H-34123023	Protector Strip	59	H-38334002	Spring
27	H-27479307	Lead Wire Tie (2)	60	H-36433011	Tool Rack - LU
28	H-42253183	Front Housing Ass'y - TF - (Incl. Items 4, 5, 8, 9, 10)	61	H-38617009	Crevice Tool - AG
	H-42253187	Front Housing Ass'y - MT - (Incl. Items 4, 5, 8, 9,10) - U3309	62	H-48451001	Dusting Brush Ass'y - AG
29	H-42983014	Cord Wrap Housing Ass'y - TF	63	H-36425037	Jacket Support - JM
	H-42983011	Cord Wrap Housing Ass'y - MT - U3309	64	H-38657010	Top Fill Tube - AG
30	H-47116002	Terminal Plate - AG	65	H-4010001 A	Throw Away Bag 3 Pk
31	H-34124011	Retainer	66	H-35111002	Drawer - AG - U3303-030, U3309
32	H-21447003	Screw - Self Tapping (3)	67	H-57363003	Air Freshener Tablet 4 Pk - Spring Bouquet
33	H-21447013	Screw - Self Tapping (4)	68	H-36131050	Jacket Retainer - U3303-030, U3309 & Later Models - U3303
34	H-38511002	Bearing (2)			
35		Agitator Housing (See Detail)			
36	H-27617103	Connector (2)			
37	H-47176001	Lamp Socket Ass'y (2)			
38	H-27313101	Dirt Finder Lamp (2)			
39	H-36155015	Lock Bar - JM			

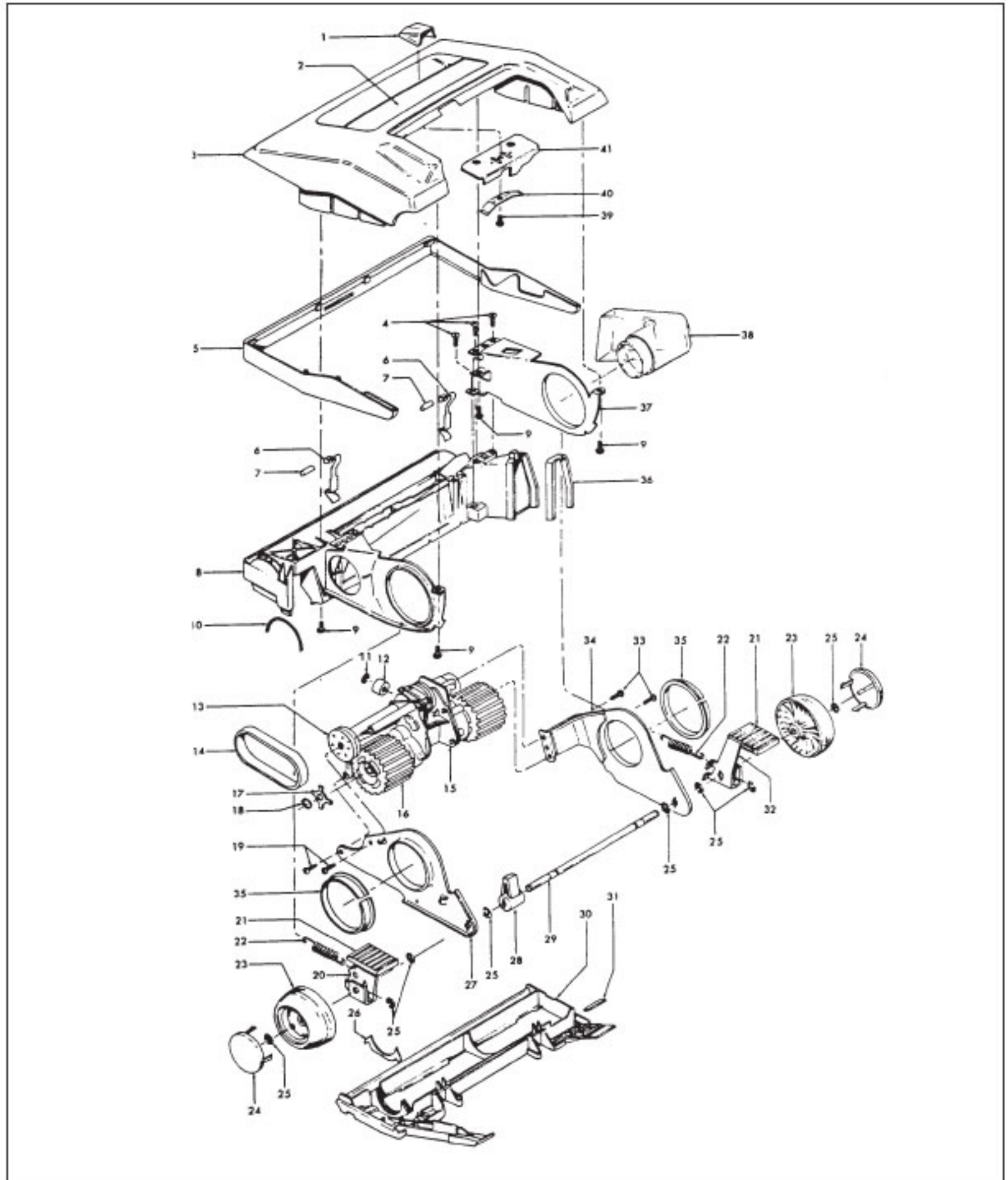
ITEMS NOT ILLUSTRATED

H-170975 Wrench - Special (This is a 1/2", 12 point, deep offset box wrench used on lt. 23, Part #160058, Bolt, in conjunction with the adjustment of the control cable.)

HOOVER Original

CONCEPT TWO

Models U3301, U3301-030, U3303, U3303-030, U3309



Original

HOOVER

CONCEPT TWO

Models U3301, U3301-030, U3303, U3303-030, U3309

KEY	PART NO.	DESCRIPTION	KEY	PART NO.	DESCRIPTION
1	H-38421032	Nozzle Adj. Lever - KS -U3301, U3301-030	25	H-13730	Lock Ring (Use 8 on Models w/ Metal Handle Rel. Levers; Use 4 on Models w/Plastic Handle Rel. Levers)
	H-38421033	Nozzle Adj. Lever - TF	26	H-38781006	Agitator Pulley Seal - Lower
	H-38421036	Nozzle Adj. Lever - MT - U3109	27	H-35476011	Frame - L.H.
2	H-52115111	Hood Nameplate	28	H-38452048	Handle Release
	H-52115116	Hood Nameplate - U3301, U3301-030, U3309	29	H-32547002	Rear Axle
3	H-37253133	Hood - TF	30	H-42245039	Bottom Plate Ass'y
	H-37253116	Hood - MT - U3309	31	H-34112003	Bottom Plate Duct Seal
4	H-21447003	Screw - Self Tapping (3)	32	H-43131020	Handle Release Lever Ass'y - R.H. (Metal)
5	H-36235021	Furniture Guard - AG - U3301, U3301-030, U3309		H-38452059	Handle Release Lever - R.H. (Plastic) - AG - U3301, U3303
	H-36235020	Furniture Guard - LY	33	H-16295	Screw - Self Tapping (2)
6	H-34788001	Agitator Clip (2)	34	H-41967002	Frame Ass'y - R.H.
7	H-31522016	Pin (2)	35	H-32155004	Bearing (2)
8	H-42246064	Agitator Housing Ass'y	36	H-34123003	Duct Seal
9	H-21447014	Screw - Self Tapping (4)	37	H-35476005	Agitator Housing Bracket - R.H.
10	H-12173	Agitator Pulley Seal - Upper	38	H-38656023	Air Duct
11	H-163699	Retaining Ring	39	H-21447015	Screw - Self Tapping
12	H-31142014	Roller	40	H-34751002	Detent Spring
13	H-38537001	Drive Pulley	41	H-38563015	Cam
14	H-160147 AG	Belt			
15	H-43124009	Power Drive Unit			
16	H-163340 AG	Drive Wheel Ass'y			
17	H-160040 AY	Keylock			
18	H-160014	Retaining Ring			
19	H-21479431	Screw - Self Tapping (2)			
20	H-43131029	Handle Release Lever Ass'y - L.H. (Metal) - U3301			
	H-38452070	Handle Release Lever Ass'y - L.H. (Plastic) - U3303 - LY			
	H-38452071	Handle Release Lever Ass'y - L.H. (Plastic) - AG			
21	H-38426030	Foot Pad - AG (2) - U3301, U3303			
22	H-38335014	Spring (2)			
23	H-38522017	Rear Wheel - AG (2) - U3301, U3301-030, U3309			
	H-38522018	Rear Wheel - LY (2)			
24	H-37912001	Wheel Cover - KT (2) - U3301, U3301-030, U3309			
	H-37912009	Wheel Cover - LU (2)			
	H-37912006	Wheel Cover - MU - U3309			

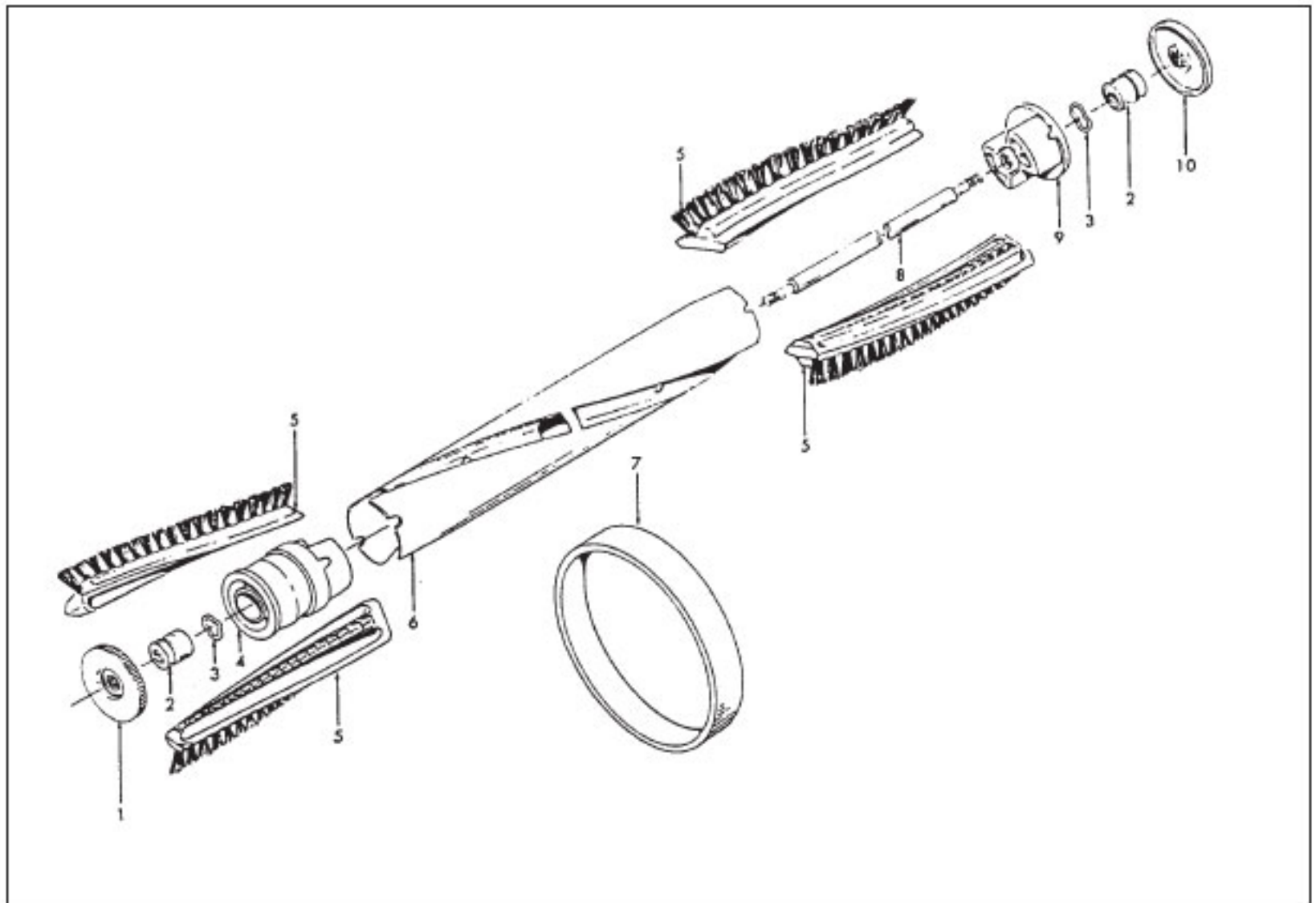
PACKAGING MATERIAL

H-56511204	Owner Manual
H-56511248	Owner Manual - U3309
H-58366067	Carton - U3301, U3303
H-58366073	Carton - U3309
H-58249004	Front Support
H-58366058	Hand Held Cleaner Carton

ITEMS NOT ILLUSTRATED

H-21312777	Washer (2) use on Models w/ Plastic Handle Rel. Levers between Rear Wheels and Handle Rel. Levers
H-160031	Nut (Power Drive Unit - Drive Shaft/Drive Pulley)

Original **HOOVER**
CONCEPT ONE, TWO & POWERMAX



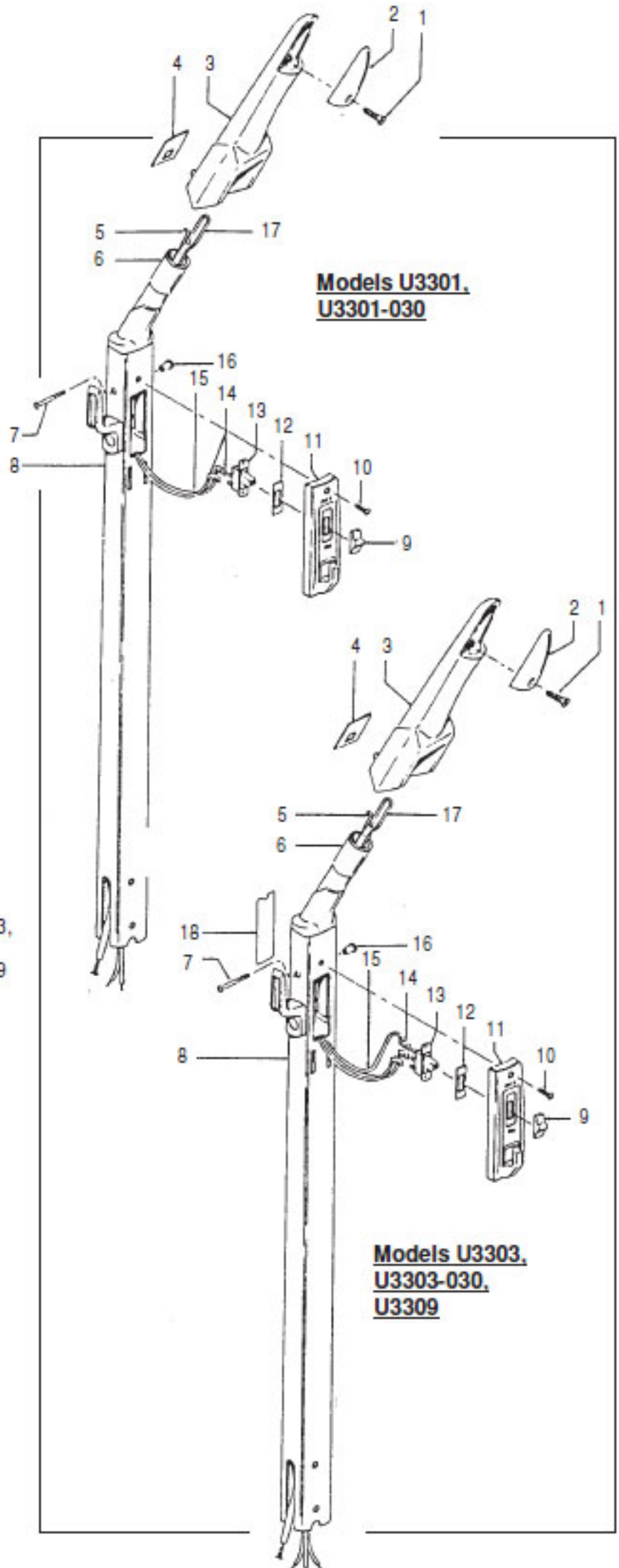
KEY	PART NO.	DESCRIPTION
	H-48414019	Agitator Ass'y Comp. - U3315-070, U3341-900, U3721-910, U3729-910
	H-48416009	Agaitator Ass'y Comp. - U3737-910, U3745-910
1	H-41435021	Thread Guard
2	H-43267002	Agitator Bearing Ass'y (2)
3	H-21347003	Conical Washer (2)
4	H-38537002	Agitator End Pulley
5	H-48445015	Agitator Brush (4)
	H-48445016	Agitator Brush (2) - U3315-070, U3341-900, U3721-910, U3729-910
6		(Not Available)
7	H-38528008	Agitator Belt
8	H-160070	Agitator Shaft
9	H-41435023	Agitator End
10	H-41435018	Thread Guard

HOOVER Original

CONCEPT TWO

Models U3301, U3301-030,
U3303, U3303-030, U3309

KEY	PART NO.	DESCRIPTION
1	H-21575001	Screw - Machine
2	H-160092 AG	Handle Cap -U3301, U3301-030, U3309
	H-160092 LU	Handle Cap
3	H-48663019	Handle Ass'y - AG - U3301, U3301-030, U3309
	H-48663115	Handle Ass'y - LU
4	H-51638018	Handle Nameplate - U3301, U3301-030, U3309
	H-51638024	Handle Nameplate
5	H-43211004	Control Cable
6	H-36957006	Handle Support - AG
7	H-18805	Screw Special
8	H-48643069	Handle Tube & Cord Release Ass'y - U3301, U3301-030
	H-48643070	Handle Tube & Cord Release Ass'y
	H-48643071	Handle Tube & Cord Release Ass'y - U3309
9	H-38421012	Switch Button
10	H-21465314	Screw - Self Tapping
11	H-37258039	Switch Cover - KT - U3301, U3301-030, U3309
	H-37258068	Switch Cover - LY
12	H-34138006	Switch Pad
13	H-28177004	Switch - U3301, U3301-030
	H-28179010	Switch
14	H-27666702	Terminal (Model U3301, U3301-030 (2)) - (U3303, U3303-030, U3309-(3))
15	H-46313019	Lead Wire Ass'y (2 Wire) - U3301, U3301-030
	H-46514009	Lead Wire Ass'y (3 Wire)
16	H-32258010	Nut - Special
17	H-160095 AY	Tension Wire
18	H-51639065	Handle Tube Nameplate - U3303, U3303-030
	H-51639057	Handle Tube Nameplate - U3309

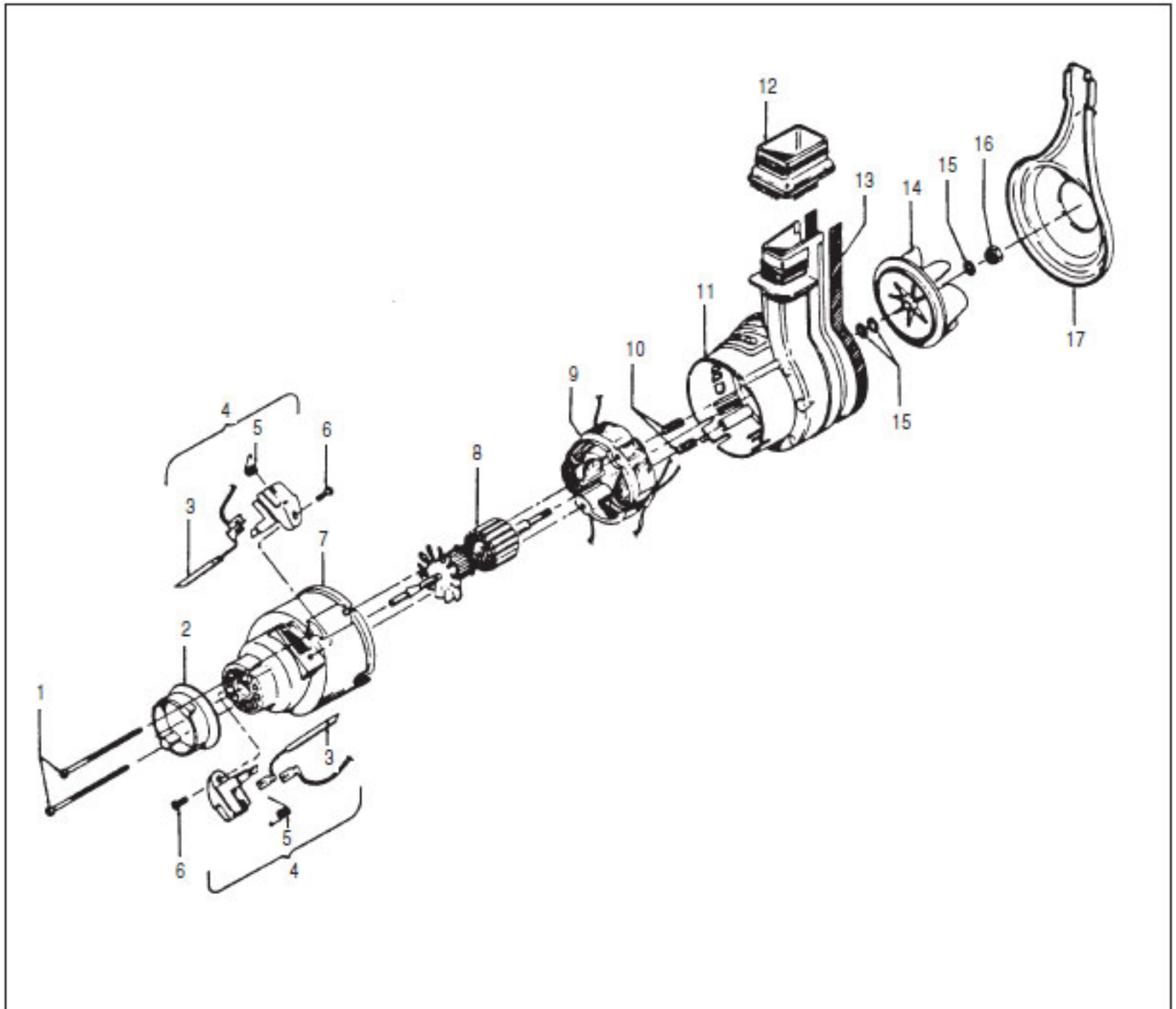


Original

HOOVER

CONCEPT TWO

Models U3301, U3301-030, U3303, U3303-030, U3309, U4211, U4213, U4217



KEY	PART NO.	DESCRIPTION
	H-43576039	Motor Ass'y Complete - U3301, U3301-030, U4211
	H-43576038	Motor Ass'y Complete - U3303, U3303-030, U3309, U4213, U4217
1	H-21479573	Screw - Self Tapping (2 Req.)
2	H-32162003	Motor Mount
3	H-47315010	Brush & Terminal Ass'y (2 Req.)
4	H-47318008	Brush Carrier Ass'y (2 Req.)
5	H-38353004	Spring (2 Req.)
6	H-21479302	Screw - Self Tapping (2 Req.)
7	H-42193004	Motor Housing Ass'y
8	H-44765065	Armature Ass'y Complete

KEY	PART NO.	DESCRIPTION
9	H-45317019	Field Ass'y Complete - U3301, U3301-030, U4211
	H-45317007	Field Ass'y Complete - U3303, U3303-030, U3309, U4213, U4217
10	H-12584	Spring (2 Req.)
11	H-43588001	Fan Chamber Ass'y
12	H-38785002	Seal
13	H-54821001	Tape
14	H-38755003	Fan
15	H-166563	Washer (3 Req.)
16	H-33426001	Nut
17	H-43588003	Fan Cover Ass'y

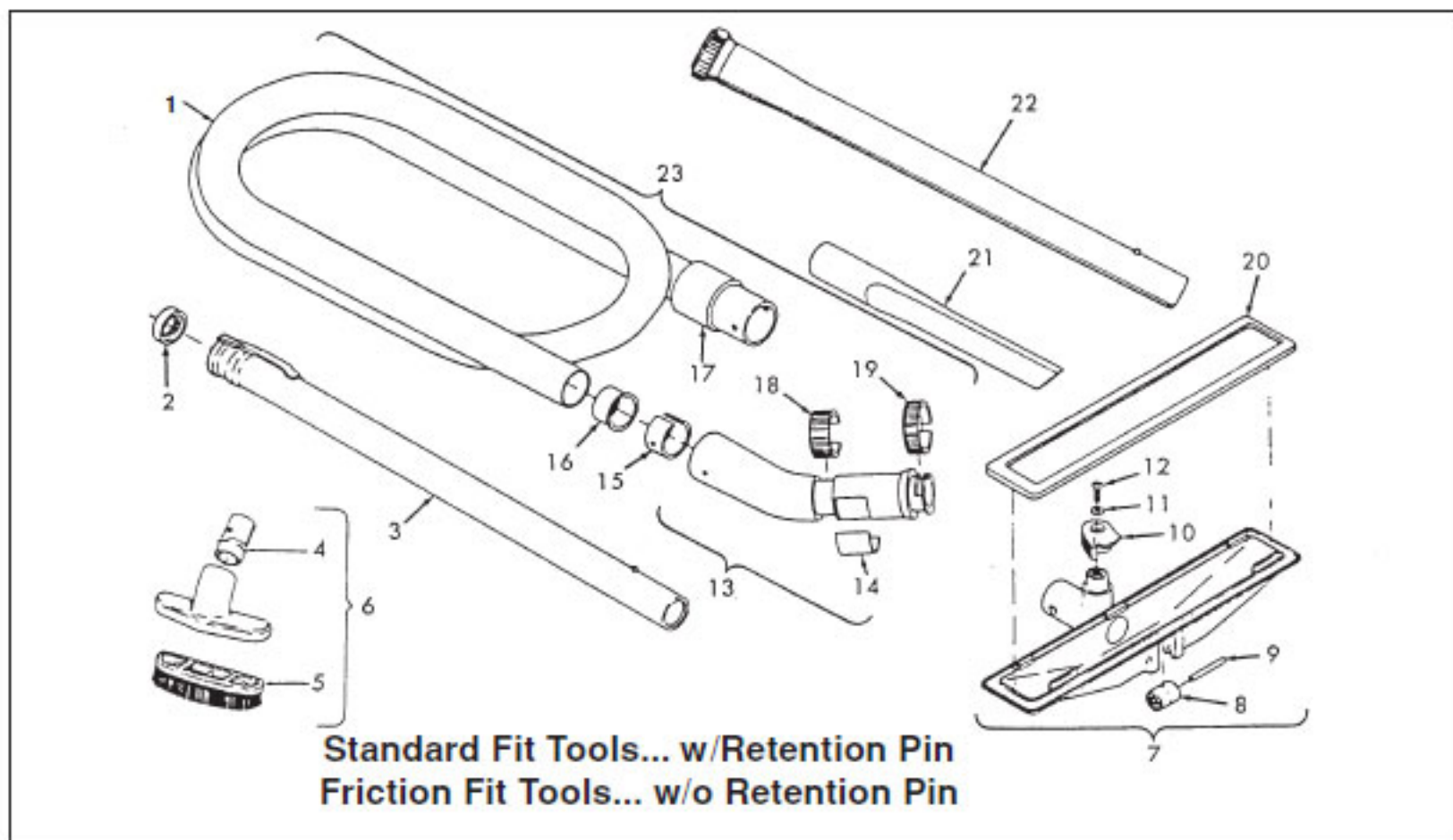
Original

HOOVER

CONCEPT

Cleaning Tools

Model U3903 (Standard), Model U3903-070 (Friction)



KEY	PART NO.	DESCRIPTION	KEY	PART NO.	DESCRIPTION
1	H-43431069	Hose Less Ends (Continuous Convolutions) - (Std. Fit Ends)	15	H-36116006	Hose Connector Collar (Use w/ Continuous Convolution Hose) - (Std. Fit Hose)
	H-43431182	Hose Only (Std. Fit Ends)		H-36171025	Hose Connector Collar (Use w/ Circular Ribbed Hose) - (Std. Fit Hose)
	H-38671001	Hose Less Ends (Circular Ribbed) - (Std. Fit Ends)	16	H-32156010	Hose Sleeve (Std. Fit Hose)
	H-38671025	Hose Less Ends (Circular Ribbed) - (Friction Fit Ends)	17	H-32288001	Hose Connector (Use w/ Continuous convolution Hose) - (Std. Fit)
2	H-12845 JM	Gasket		H-32288003	Hose Connector (Use w/Circular Ribbed Hose) - (Std. Fit)
3	H-13144	Ext. Tube (Aluminum) - (Std. Fit)	18	H-32288004	Hose Connector - AAP - (FrictionFit)
4	H-13149 JM	Nozzle Connector Tube (Use w/161852 JM)	19	H-38711006	Suction Control Ring - (Standard)
5	H-13254 BZ	Brush Back Comp. (Use w/161852 JM)	20	H-36153008	Latch Ring - (Standard)
6	H-161852 JM	Furniture Brush Comp.	21	H-43548006	Converter Seal
	H-43414017	Multi-Purpose Brush (One Piece) - (Std. Fit)	22	H-38617018	Crevice Tool - (Std. Fit)
7	H-43482077	Converter - (Standard & Friction Fit)		H-38617023	Crevice Tool - (Friction Fit)
8	H-32761008	Wheel	23	H-43453043	Ext. Tube (Polystyrene) - (Std. Fit)
9	H-21155119	Roller Shaft		H-38634074	Ext. Tube (Polystyrene) - (Friction Fit)
10	H-38452054	Latch Lever		H-43434203	(Continuous Convolutions) (w/o Suction Regulator) - (Std. Fit)
11	H-31142012	Washer		H-43434209	Hose Comp. - Front Conversion (Circular Ribbed) (w/o Suction Regulator) - (Std. Fit)
12	H-17001	Screw		H-43434225	Hose Comp. - AAP - (Friction Fit)
13	H-43466042	Hose Connector Curved w/Rings - JM (Use w/Continuous Convolution Hose) - (Std. Fit)		H-43414071	Furniture Nozzle - (Std. Fit)
	H-43466055	Hose Connector Curved w/Ring (w/o Suction Regulator) (Use with Circular Ribbed Hose) - (Std. Fit)		H-38614026	Furniture Nozzle - (Friction Fit)
	H-39454053	Hose Connector Curved - AAP - (Hand Grip) - (Friction Fit)		H-43466040	Ext. Tube - Curved
14	H-51869006	Hose Connector Label		H-170110 --	Shag Rake
				H-43414129	Dusting Brush - (Friction Fit)
				H-43414135	Floor Brush - (Friction Fit)