

## Front Housing & Bag

## Models U3315, U3315-070, U3341-900

Ref. No.	Part No.	Description
1	H-48416009 48414019	Agitator Assem. Comp. - HE (P-187) Agitator Assem. Comp. - U3315-070, U3341-900 (P-187)
2		Agitator Housing - (P-174)
3	43143096	Actuator Bar Assem.
4	160079AW	Nut - Special
5	43211010	Control Cable
6	21641623	Nut
7	160059	Washer
8	66681203	Control Cable Tube - AG
9	42253061 42253062	Front Cover Assem. - MR Front Cover Assem. - U3341-900
10	37246089 37246122	Panel - MR Panel - ABC - U3341-900
11	52115133 52115170	Front Cover Nameplate Front Cover Nameplate - U3341-900
12		Handle Assem. (P-172)
13	168278AY	Washer
14	35152008	Handle Mounting Bracket - Front Half
15	36913016	Handle Insulator Support - BZ
16	46513007	Lead Wire Assem.
17	34124011	Retainer - AY (2)
18	21447003	Machine Screw (3)
19	21447013	Screw - Self Tapping (4)
20	27479307	Lead Wire Tie (2)
21	38511002	Bearing - BZ (2)
22	160058	Bolt - Special
23	38511027	Pivot Bearing - AG
24	19555	Spring Washer
25	12227	Insulated Terminal (3)
26	37195072 37195090	Motor Cover - AAK Motor Cover - ABC - U3341-900
27	43576074	Motor Assem. (P-1 88)
28	32175011	Motor Mount - RH
29	32156007	Seal Ring
30	32155006	Mount Ring - FW
31	36425008	Jacket Bottom - BZ
32	21447012	Screw - Self Tapping (2)
33	21447020	Screw - Self Tapping (3)
34	21563001	Machine Screw (2)
35	37257125 37257157	Rear Housing Cover - JM Rear Housing Cover - ABC - U3341 - 900
36	43677316 43677339	Outer Bag Comp. - MP/MR - U3315, U3315-070 Outer Bag Comp. - ABC - U3341-900
37	42253159 42253161	Front Housing Assem. - AAK Front Housing Assem. - ABC - U3341-900 (Incl. It. 13,14,15,38,39)
38	21254008	Rivet
39	35152011	Handle Mounting Bracket - Rear Half
40	31735007	Insulating Tube
41		Tape

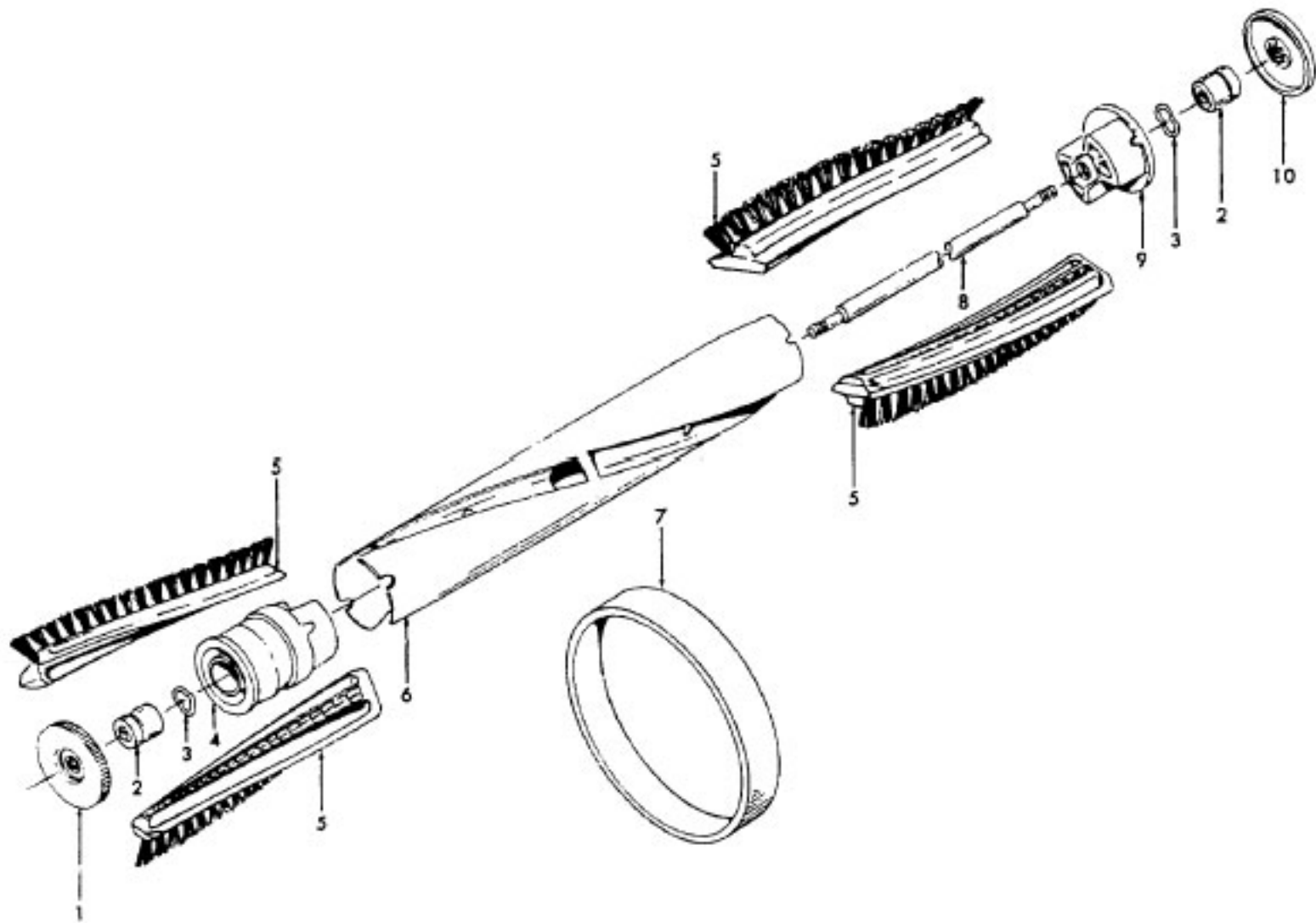
Ref. No.	Part No.	Description
42	46363195	Cord
43	38334002	Spring - AW
44	37959055 37959075	Bag Cover - MR Bag Cover - ABC
45	37959095	Hanger
46	43677323 43677338	Outer Bag - AAK - MR Outer Bag - ABC - U3341-900
47	36425012	Jacket Support - JM
48	4010001A	Throw Away Bag (3 Pk.)
49	38657010	Top Fill Tube - AG

### ITEMS NOT ILLUSTRATED

170975	Wrench - Special (This is a 1/2", 12 point, deep offset box wrench used on it. 22, Part #1 60058, Bolt, in conjunction with the adjustment of the control cable.)
--------	---

# Agitator

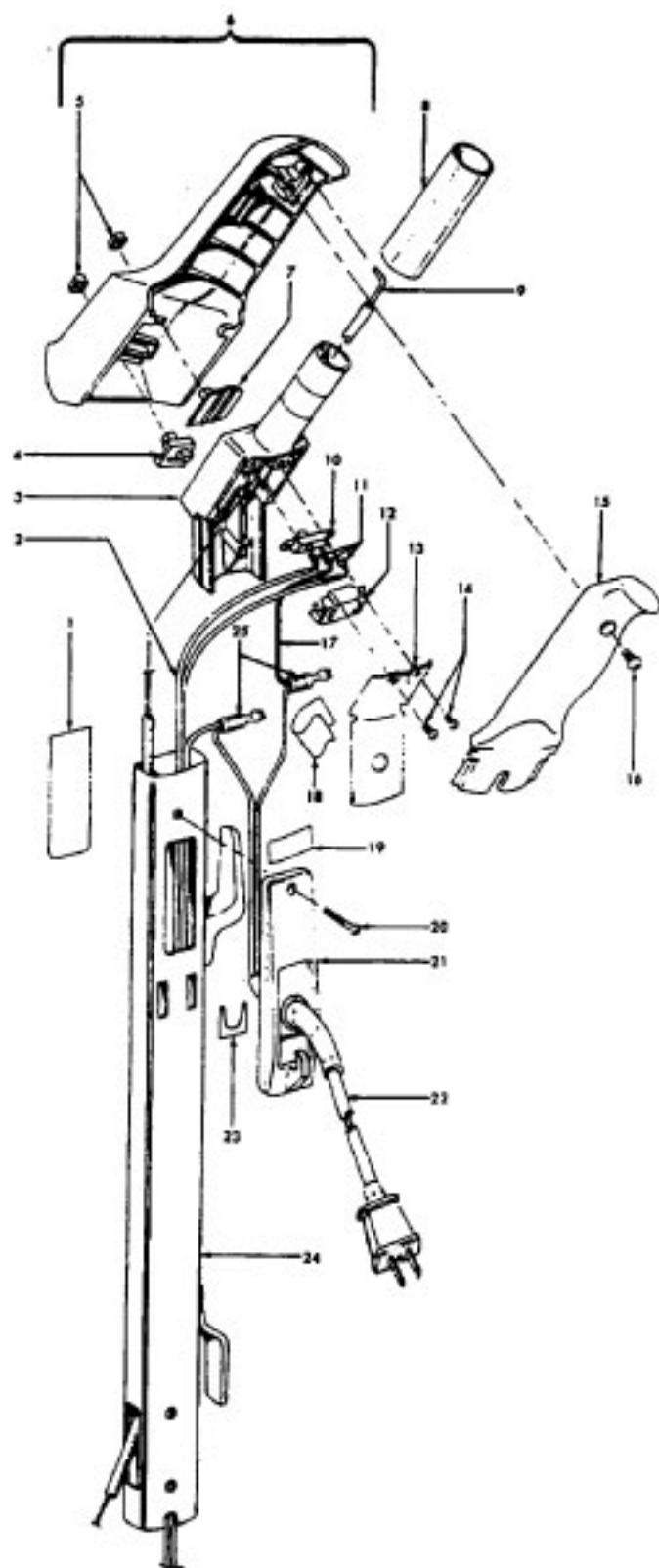
Models U3315, U3315-070, U3317, U3319-9, U3319-970, U3321, U3323, U3329, U3331, U3335, U3341-900, U3721-910, U3721-930, U3729-910, U3737-910, U3745-910



Ref. No.	Part No.	Description
	48414019	Agitator Assm. Comp. - U3315-070, U3341-900, U3721-910, U3729-910
	48416009	Agitator Assm. Comp. - U3315, U3317, U3319-9, U3319-970, U3321, U3323, U3329, U3331, U3335, U3721-930, U3737-910, U3745-910
1	41435021	Thread Guard
2	43267002	Agitator Bearing Assm. (2)
3	21347003	Conical Washer (2)
4	38537002	Agitator End Pulley
5	48445C19	Agitator Brush (4)
	48445016	Agitator Brush (2) - U3315-070, U3341-900, U3721-910, U3729-910
6		(Not Available)
7	38528008	Agitator Belt
8	160070	Agitator Shaft
9	41435023	Agitator End
10	41435018	Thread Guard

# Handle

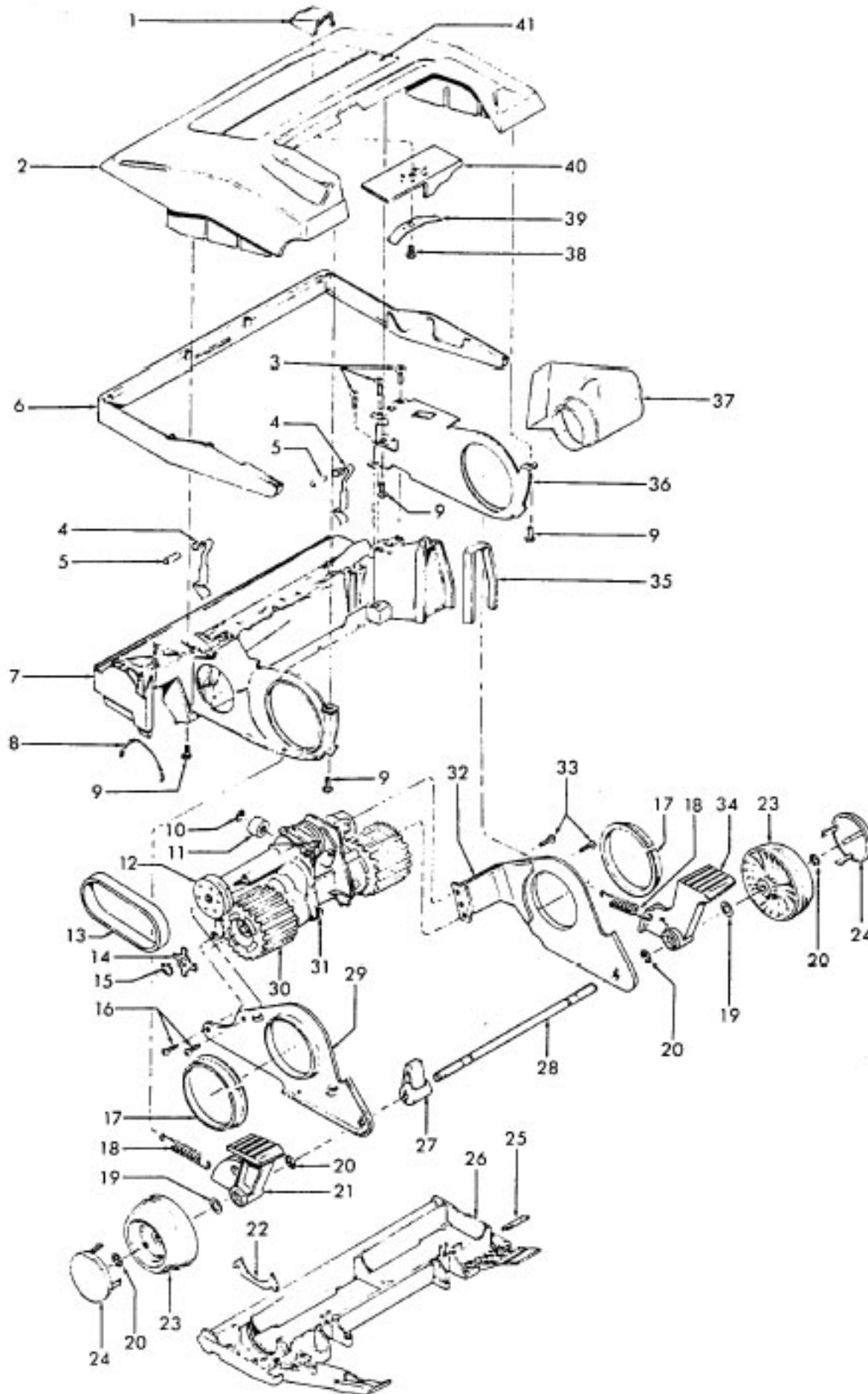
# Models U3315, U3315-070, U3329, U3335, U3341-900



Ref. No.	Part No.	Description
1	51639058	Handle Tube Nameplate - U3341-900
	51639095	Handle Tube Nameplate
2	46513007	Lead Wire Assem.
3	36957012	Handle Support - AG
4	36142001	Drive Control Pin - AG
5	38421021	Switch Button - AG (2)
6	48663153	Handle Grip - Upper Half Assem. - MR U3315, U3315-070, U3335 (Incl. It 4,5,7)
7	38421042	Switch Actuator - AG
8	31754002	Handle Sleeve
9	43211010	Control Cable
10	28179021	Switch
11	27666702	Terminal (3)
12	37258082	Terminal Shield
13	34777017	Handle Support Plate
14	21447125	Screw - Self Tapping (2)
15	39458033	Handle Grip - Lower - AG U3329, U3341-900
16	21447041	Screw - Self Tapping
17	46143068	Black Lead Wire Assem. Tape
18		
19	51869001	Warning Label
20	21447122	Screw - Self Tapping
21	37258077	Handle Cover - AAK
	37258078	Handle Cover - KT - U3329
	37258116	Handle Cover - WW - U3341-900
22	46363195	Cord
23	34253010	Retainer
24	48643097	Handle Tube Assem.
	48643098	Handle Tube Assem.
	48631123	Handle Tube Assem. - U3341-900
25	12227	Insulated Terminal (2)

# Agitator Housing

Models U3315, U3315-070, U3329,  
U3335, U3341-900



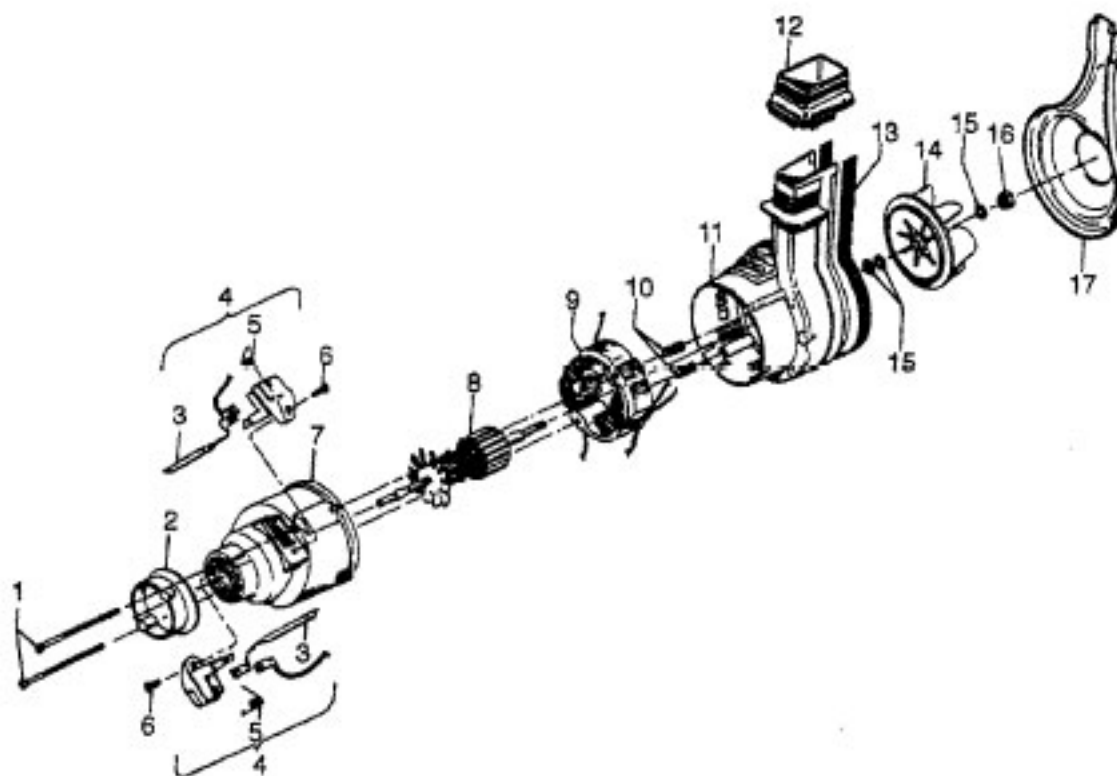
# Agitator Housing

# Models U3315, U3315-070, U3329, U3335, U3341-900

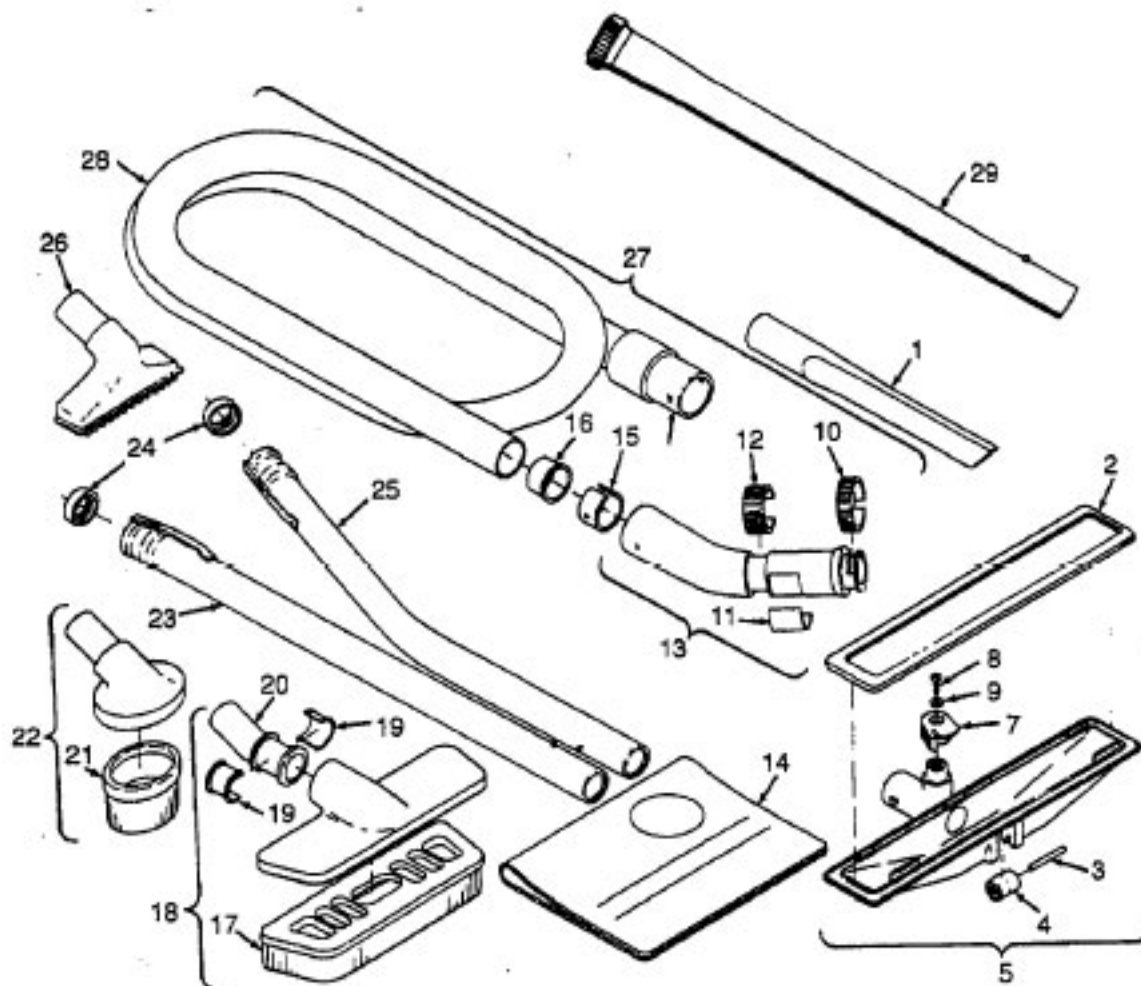
Ref. No.	Part No.	Description	PACKAGING MATERIAL	
1	38421038	Nozzle Adj. Lever - AAK	56511267	Owner Manual
	38421036	Nozzle Adj. Lever - MT - U3329	56511278	Owner Manual - U3329
	38421073	Nozzle Adj. Lever - ABC - U3341-900	56511345	Owner Manual - U3315-070, U3341-900
2	37253239	Hood	58366094	Carton
	37253116	Hood - MT - U3329	58366081	Carton - U3329
	37253238	Hood - ABC - U3341-900	58366083	Carton - U3341-900
3	21447003	Machine Screw (3)	58366084	Carton - U3315-070
4	34788001	Agitator Clip (2)	58366086	Carton - U3335
5	31522016	Pin (2)	58219007	Front Support
6	36235082	Furniture Guard - MW - U3315-070, U3329, U3341-900	58341002	Handle Support
7	42246064	Agitator Housing Assem.	ITEMS NOT ILLUSTRATED	
8	12173	Agitator Pulley Seal - Upper		
9	21447014	Screw - Self Tapping (4)	160031	Nut (Power Drive Unit - Drive Shaft/ Drive Pulley)
10	163699	Retaining Ring		
11	31142014	Roller		
12	38537001	Drive Pulley		
13	160147AG	Belt		
14	160040AY	Keylock		
15	160014	Retaining Ring		
16	17001FW	Screw - Self Tapping (2)		
17	32155004	Bearing (2)		
18	38335014	Spring (2)		
19	21312772	Washer (2)		
20	13730	Lock Ring (4)		
21	38452071	Handle Release Lever - LH - AG		
22	38781006	Agitator Pulley Seal - Lower		
23	38522032	Rear Wheel		
24	37912013	Wheel Cover (2)		
25	34122019	Bottom Plate Duct Seal		
26	37245087	Bottom Plate		
27	38452048	Handle Release		
28	32547002	Rear Axle - AW		
29	35476012	Frame - LH		
30	163340AG	Drive Wheel Assem.		
31	43124009	Power Drive Unit		
32	41967004	Right Hand Frame Assem.		
33	17001FW	Screw - Self Tapping (2)		
34	38452059	Handle Release Lever - RH - AG		
	36131018	Spring Retainer - U3315-070, U3341-900		
35	34123003	Duct Seal		
36	35476027	Agitator Housing Bracket - RH - AY		
37	38656023	Air Duct		
38	21447203	Screw - Self Tapping		
39	34751002	Detent Spring		
40	38563015	Cam		
41	52115146	Hood Nameplate		
	52115177	Hood Nameplate		

## Motor

Models U3315, U3315-070, U3317, U3319-9, U3319-970, U3321, U3323, U3329, U3331, U3335, U3341-900, U3715-930, U3721-910, U3721-930, U3725-930, U3729-910, U3729-930, U3737-910, U3737-930, U3745-910, U3745-930

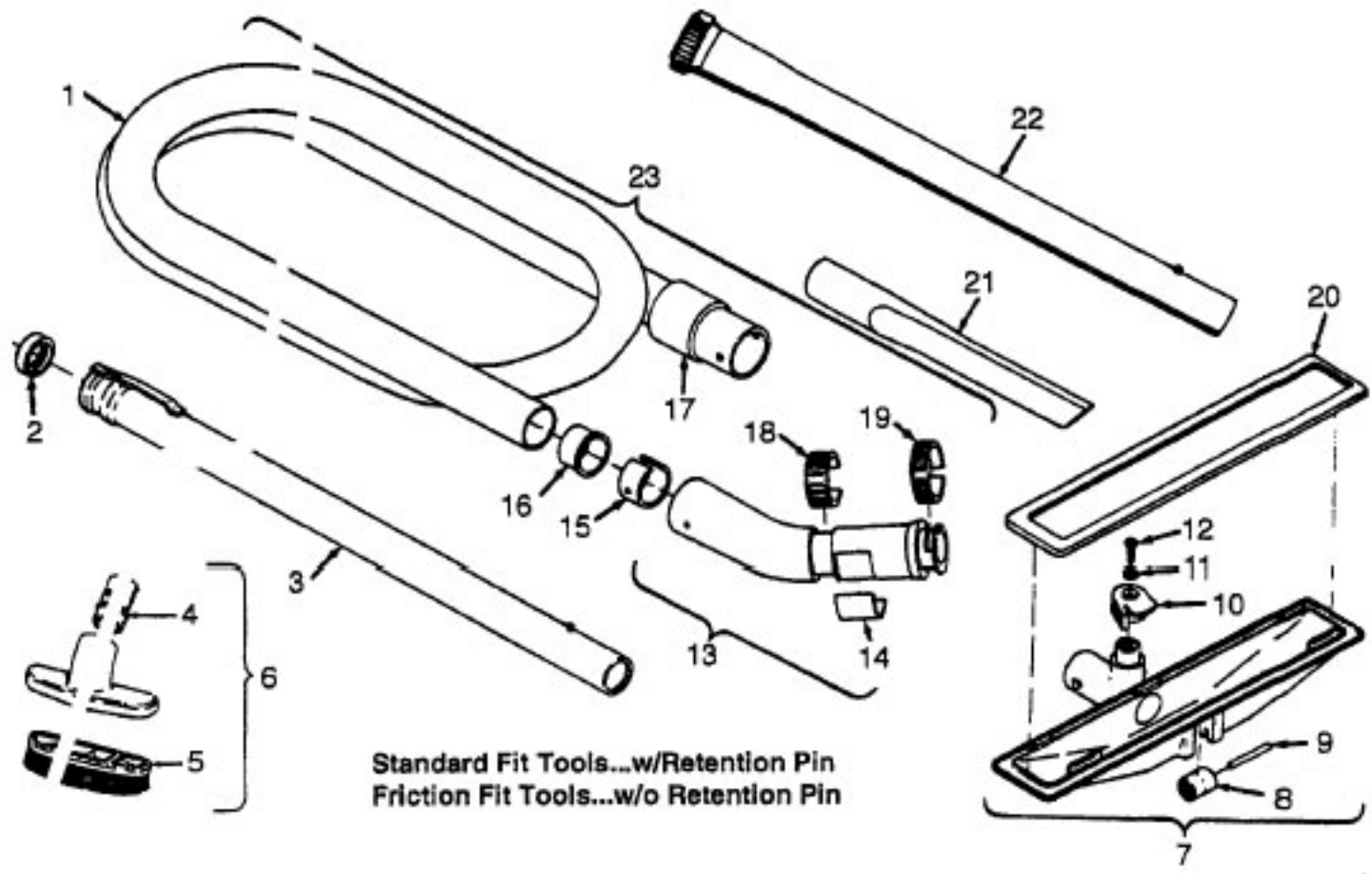


Ref. No.	Part No.	Description
	43576074	Motor Assem. Comp.
1	21479573	Screw - Self Tapping (2)
2	32162003	Motor Mount
3	47315010	Brush & Terminal Assem. (2)
4	47318008	Brush Carrier Assem. (2)
5	38353004	Spring (2)
6	21479302	Screw - Self Tapping (2)
7	42193004	Motor Housing Assem.
8	44765065	Armature Assem. Comp.
9	45317027	Field Assem. Comp.
10	12854	Spring
11	43588001	Fan Chamber Assem.
12	38785002	Seal
13	54821001	Tape
14	38755003	Fan
15	166563	Washer (3)
16	33426001	Nut
17	38736015	Fan Cover Assem.



Ref. No.	Part No.	Description	Ref. No.	Part No.	Description
1	38617017	Crevice Tool - Std. Fit	21	13263BZ	Brush Back Assem.
2	43548006	Converter Seal Assem.	22	161851JM	Dusting Brush
3	21155119	Roller Shaft		43414064	Dusting Brush (One Piece) - Std. Fit
4	32761008	Wheel	23	43453027	Extension Tube
5	43482077	Converter Comp.	24	12845JM	Gasket
6	32288007	Hose Connector	25	43466040	Hose Tube - Curved (Aluminum) - Std. Fit
7	38452054	Latch Lever	26	43414057	Furniture Nozzle - Std. Fit
8	17001FW	Screw	27	43434127	+ Hose Comp.
9	31142012	Washer		43434203	Hose Comp. - Front Conversion (w/o Suction Regulator)
10	36153009	Latch Ring	28	43431182	Hose Only - Std. Fit Ends
11	51869006	Hose Connector Label	29	3863801P	Extension Tube - Poly - AG
12	38711006	Suction Control Ring			
13	43466044	Hose Grip - AAP - w/ suction control			
14	58544004	Cleaning Tool Bag			
15	36116006	Hose Connector Collar			
16	32156010	Hose Sleeve			
17	13253 AG	Brush Back Assem.			
18	13077JM	Floor Brush			
	43414073	Floor Brush - Std. Fit			
19	13276	Bushing (Use w/13154JM)			
	33712007	Split Ring (Use w/38644040)			
20	13154JM	Swivel Connector (Use w/13077JM)			
	38644040	Swivel Connector (Use w/43414073)			





Standard Fit Tools...w/Retention Pin  
Friction Fit Tools...w/o Retention Pin

Ref. No.	Part No.	Description	Ref. No.	Part No.	Description
1	43431069	Hose Less Ends (Continuous Convolutions) - (Std. Fit Ends)	15	36116006	Hose Connector Collar (Use w/Continuous Convolution Hose) - (Std. Fit. Hose)
	43434203	Hose Assembly Complete		36171025	Hose Connector Collar (Use w/Circular Ribbed Hose) - (Std. Fit Hose)
	38671001	Hose Less Ends (Circular Ribbed) - (Std. Fit Ends)	16	32156010	Hose Sleeve (Std. Fit Hose)
	38671030	Hose Less Ends (Circular Ribbed) - (Friction Fit Ends)	17	32288007	Hose Connector (Use w/Continuous Convolution Hose) - (Std. Fit)
2	12845JM	Gasket		32288003	Hose Connector (Use w/Circular Ribbed Hose) - (Std. Fit)
3	43453027	Extension Tube		32288004	Hose Connector - AAP - (Friction Fit)
4	13149JM	Nozzle Connector Tube (Use w/161852JM)	18	38711006	Suction Control Ring - (Standard)
5	13254BZ	Brush Back Comp. (Use w/161852JM)	19	36153009	Latch Ring - (Standard)
6	161852JM	Furniture Brush Comp.	20	43548006	Converter Seal
	43414016	Furniture Brush - AG (Std. Fit)	21	38617017	Crevice Tool - (Std. Fit)
7	43482077	Converter - (Standard & Friction Fit)		38617024	Crevice Tool
8	32761008	Wheel	22	3863801P	Ext. Tube - AG - Poly - Std. Fit
9	21155119	Roller Shaft		38634078	Ext. Tube (Polystyrene) - (Friction Fit)
10	38454154	Latch Lever	23	43434203	Hose Comp.-Front Conversion (Continuous Convolutions) (w/o Suction Regulator) - (Std. Fit)
11	31142112	Washer		43434209	Hose Comp. - Front Conversion (Circular Ribbed) (w/o Suction Regulator)- (Std. Fit)
12	17001 W	Screw		43434225	Hose Comp. - AAP - (Friction Fit)
13	4346644	Hose Grip - AAP - with suction control (Use w/Continuous Convolution Hose) (Std. Fit)		43414057	Furniture Nozzle - (Std. Fit)
	43466055	Hose Connector Curved w/Ring (w/o Suction Regulator) (Use with Circular Ribbed Hose, Std. Fit)		38614029	Furniture Nozzle - (Friction Fit)
	39454059	Hose Connector Curved - AAP - (Hand Grip) (Friction Fit)		43466040	Ext. Tube - Curved
14	51869006	Hose Connector Latex		170110	Shag Rake
				43414145	Dusting Brush - Friction
				43414135	Floor Brush - Friction