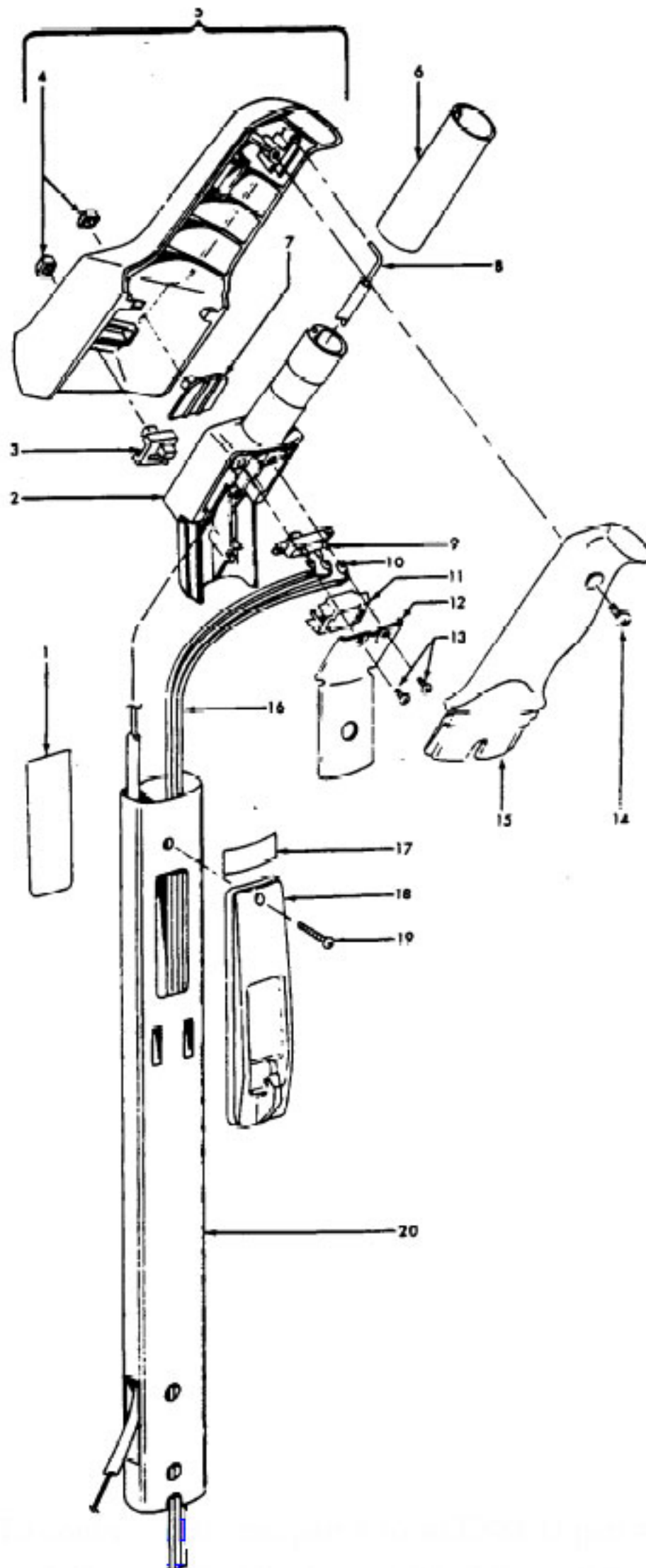
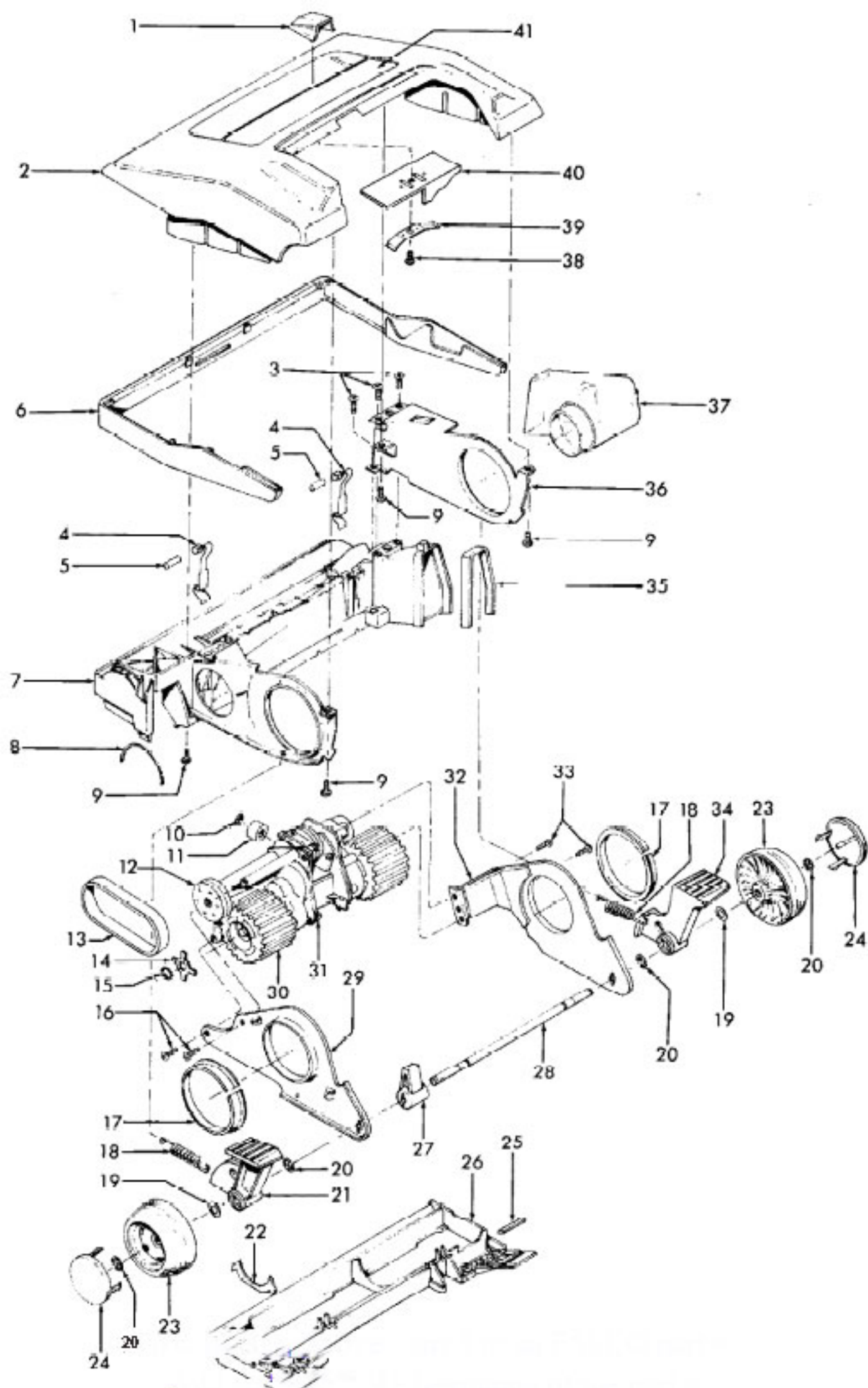


Item	Part Number	Part Description	Alt Part	Series	Qty
1	48416009	AGITATOR ASSM COMP-U			1
2	W10124350	NOT REQUIRED PART OR SEE NOTE			1
3	43143096	ACUTATOR BAR ASSEM-U			1
4	160079AW	NUT			1
5	160059-	WASHER 1170			1
6	21641623	NUT			1
7	66661203	CONTROL CABLE TUBE-A			1
8	46831106	CORD REEL ASSEMBLY -			1
9	42253064	FRONT COVER ASSM-HR-			1
	42253061	FRONT COVER ASSM-MR-			1
10	39383024	LENS-KC			1
11	52115133	FRT COVER NAMEPLATE			1
12	0M100206	ATTACHMENT CORD-HANK	46383302		1
13	168278AY	WASHER			1
14	35152008	HNDL MTG BRCKT-FT HA			1
15	36913016	HDL INSULATOR SUPP-U			1
16	34165004	BRUSH BLOCK INS-U310			1
17	47348045	BRUSH BLOCK ASSY U31			1
18	21447013	SCREW			4
19	018858-	RIVET			1
20	27479307	CABLE TIE			2
21	34124011	RETAINER			1
22	21447003	SCREW			4
23	012227-	TERMINALS-0513			4
24	38511002	PIVOT BEARING-U3101/			2
25	38511027	PIVOT BEARING - AG -			1
26	160058-	BOLT 1170			1
27	019555-	WASHER-PD TRANS			1
28	47176001	LAMP SOCKET ASSY U31			2
29	27313101	LAMP			2
30	27617103	CONNECTOR			2
31	37195072	MOTOR COVER - AAK -			1
	37195071	MOTOR COVER - MR - U			1
32	43576074	MOTOR ASSEMBLY - U33			1
33	32175011	MOTOR MOUNT-U3101/3			1
34	32156007	SEAL RING			1
35	32155006	MOUNT RING - U3101/3			1
36	36425008	JACKET BOTTOM			1
37	21447072	SCREW			1
38	21447012	SCREW	21447215		2
39	21447020	SCREW			3
40	21563001	SCREW			2
41	37257125	REAR HOUSING COVER-J			1
42	36218007	FERRULE-BZ			1
43	38333006	TENSION SPRING			1
44	42253135	FRONT HOUSING ASSEM			1
	42253163	FRONT HOUSING ASSM-A			1

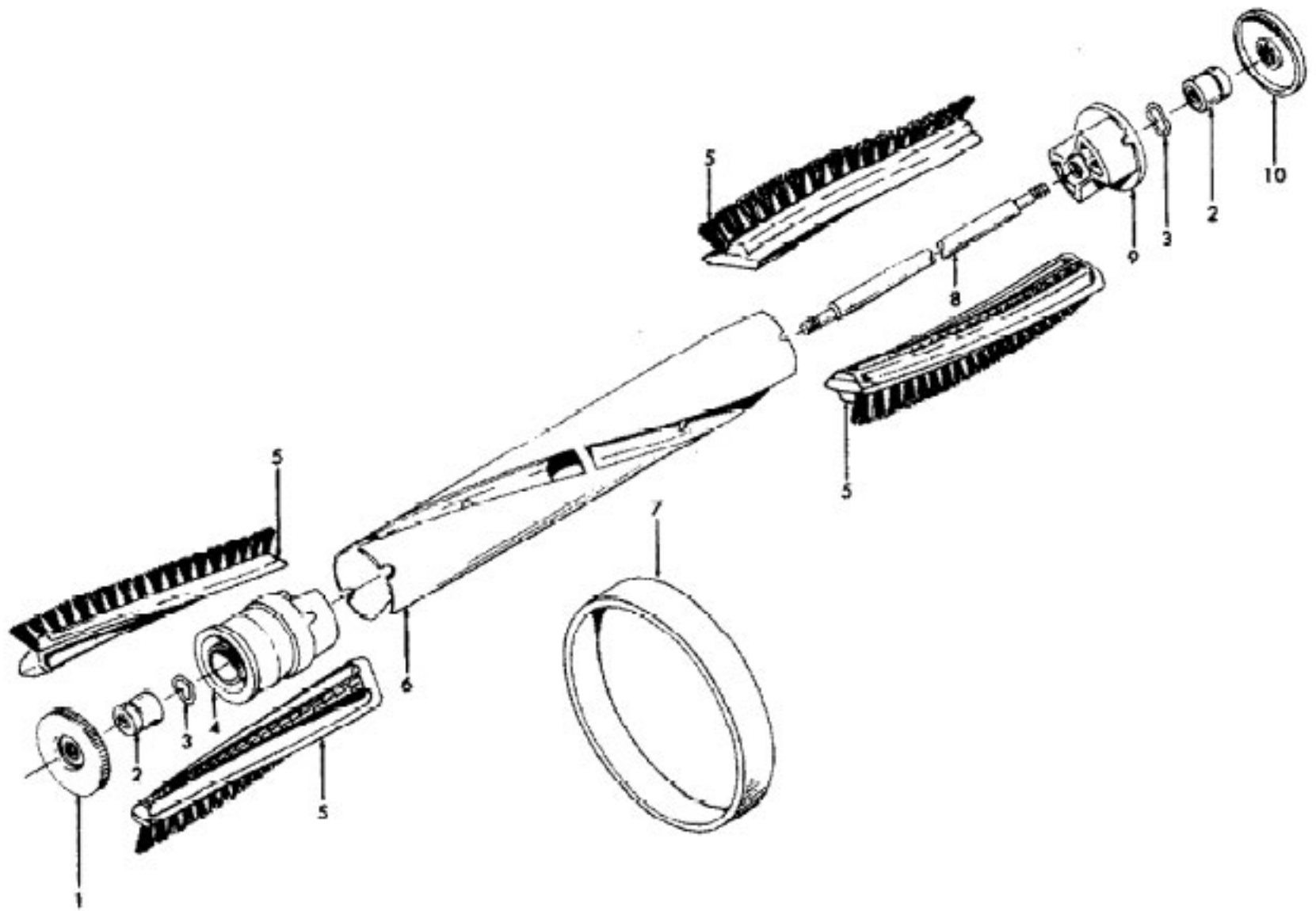
Item	Part Number	Part Description	Alt Part	Series	Qty
45	21254008	RIVET-U3301-U4211			1
46	38426053	CORD RELEASE BUTTON-			1
47	35152011	HNDL MTG BRCKT-REAR			1
48	31735007	INSULATING TUBE-U330			1
49	W10124350	NOT REQUIRED PART OR SEE NOTE			1
50	46514010	LEAD WIRE ASSEM - U3			1
51	W10124350	NOT REQUIRED PART OR SEE NOTE			1
52	43677300	OUTER BAG COMP-HR-U3			1
	43677301	OUTER BAG COMP-MP/MR			1
53	38334002	SPRING U3101 U3103			1
54	35111002	DRAWER-AG-U4381-930			1
55	51639084	BAG COVER NAMEPLATE-			1
56	57363003	AIR FRESH TABLET(24)			1
57	37959054	BAG COVER - MR - U42			1
	37959085	BAG COVER-U3737/45-9			1
58	37959090	HANGER-U3737/45-910			1
	37959047	HANGER - HR - U4447			1
59	43677323	OUTER BAG - CONCEPT			1
60	36425012	JACKET SUPPORT U3101			1
61	38657010	TOP FILL TUBE			1
62	4010001A	TOP FILL UPR BAG - 3-PK			1
63	170975-	WRENCH-SPECIAL CONCE			1
	46831076	COMMUTATOR BLOCK-COR			1



Item	Part Number	Part Description	Alt Part	Series	Qty
1	51639095	HANDLE TUBE NAMEPLAT			1
2	36957012	HANDLE SUPPORT - AG			1
3	36142001	DRIVE CONTROL PIN-AG			1
4	38421021	SWITCH BUTTON - AG -			2
5	48663153	HANDLE GRIP-UPPER HA			1
6	31754002	HANDLE SLEEVE-U3321/			1
7	38421042	SWITCH ACTUATOR - AG			1
8	43211010	CONTROL CABLE - U332			1
9	28179021	SWITCH			1
10	27666702	TERMINAL			3
11	37258082	SHIELD			1
12	34777017	HANDLE SUPPORT PLATE			1
13	21447125	SCREW			2
14	21447041	SCREW			1
15	39458033	HDL GRIP-LOWER HALF-			1
16	46514010	LEAD WIRE ASSEM - U3			1
17	51869001	LABEL			1
18	37258073	HANDLE COVER - KT -			1
19	21447122	SCREW-S1059			1
20	48631143	HANDLE TUBE - U3317			1

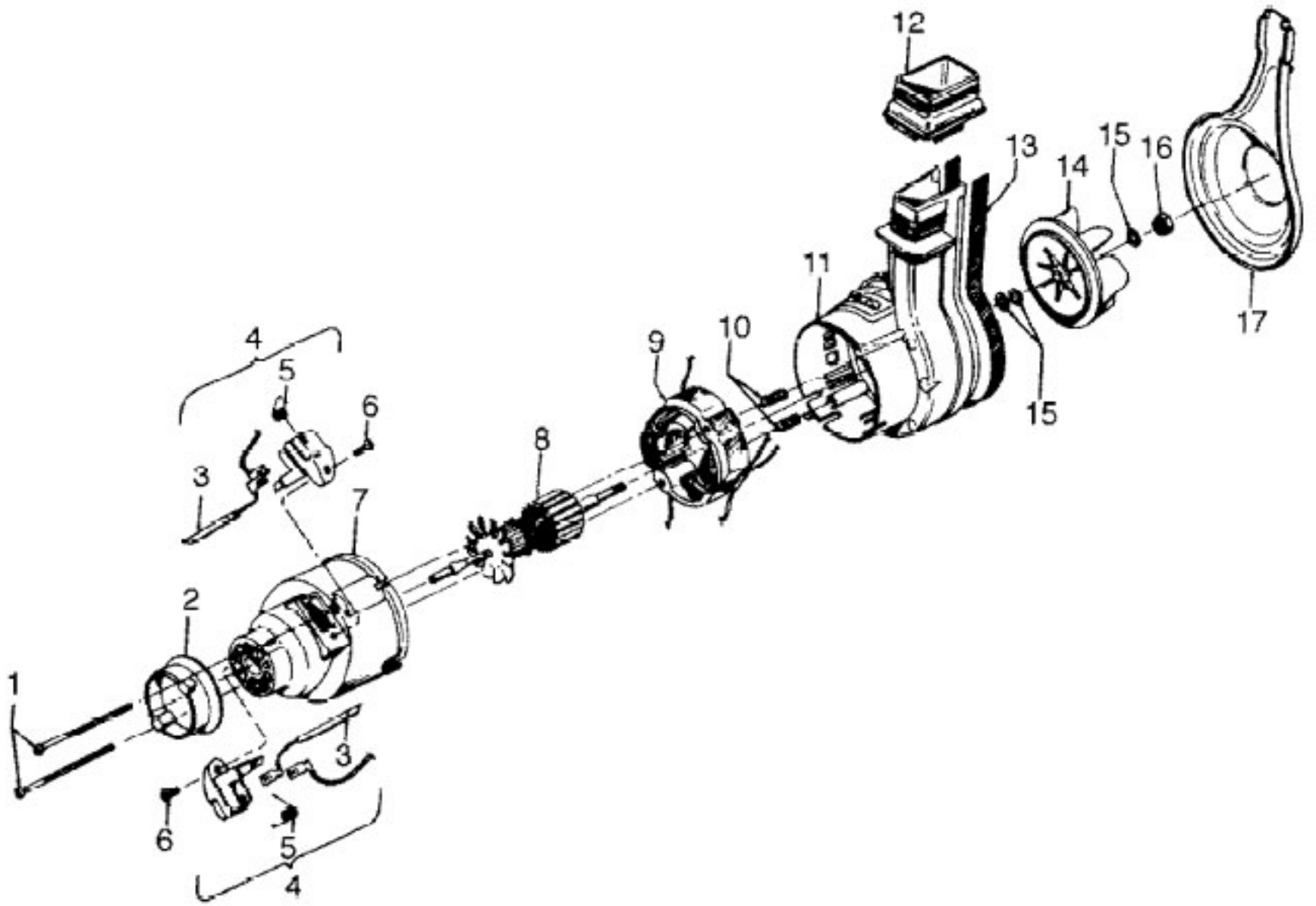


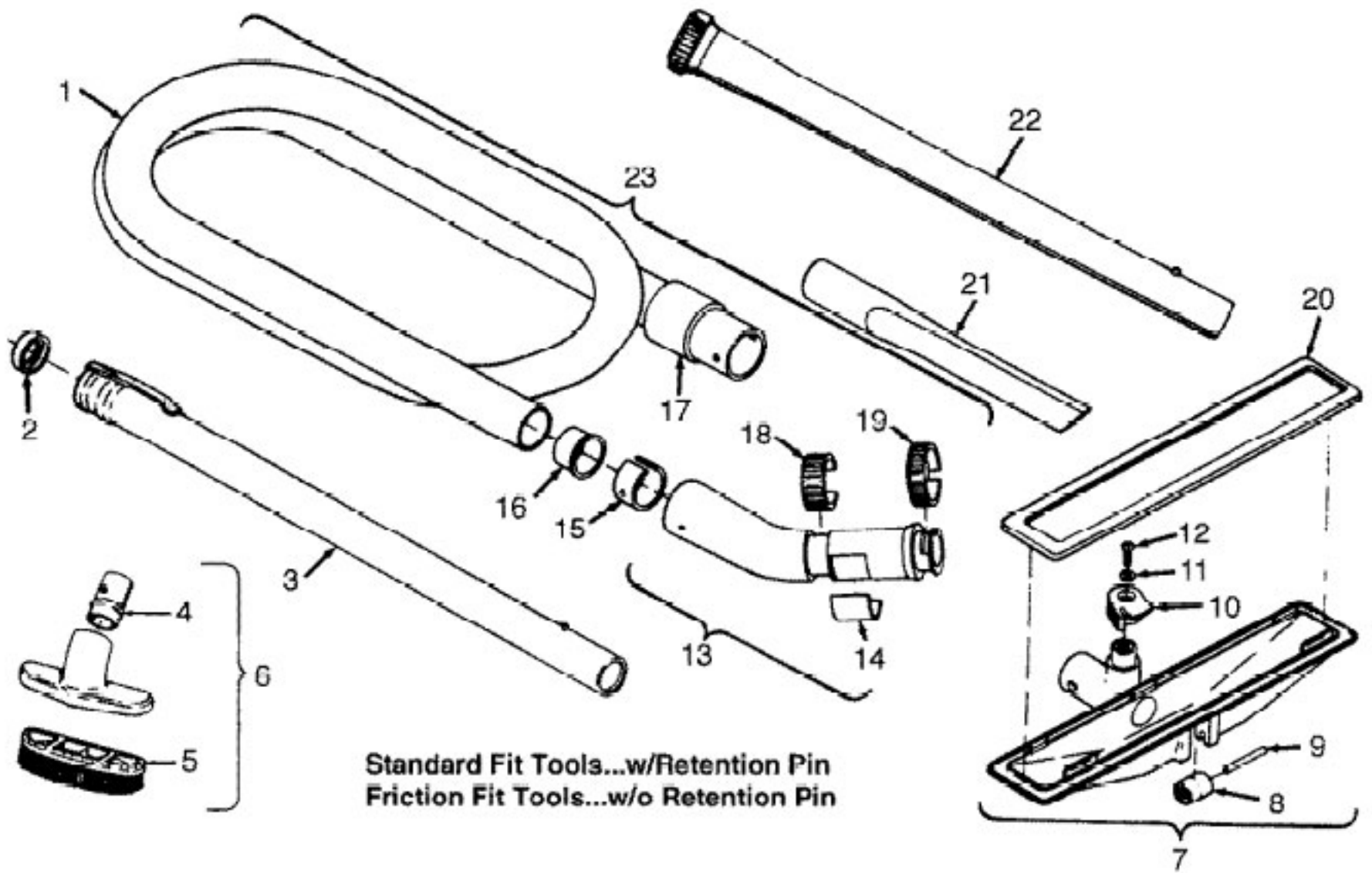
Item	Part Number	Part Description	Alt Part	Series	Qty
1	38421038	NOZZLE ADJUST LEVER-			1
	38421037	NOZZLE ADJ LEVER - M			1
2	37253239	HOOD-U3345-900			1
	37253165	HOOD - MP - U4219			1
3	21447003	SCREW			3
4	34788001	AGITATOR CLIP U3101/			2
5	31522016	PIN			2
6	36235082	FURNITURE GUARD			1
7	42246064	AGITATOR HOUSING-KE-			1
8	012173-	SEAL			1
9	21447014	SCREW			4
10	163699-	LOCK RING			1
11	31142014	ROLLER-U3101 U3103			1
12	38537001	DRIVE PULLEY-CONCEPT			1
13	160147AG	BELT-PD/CONCEPT 1 DR			1
14	160040AY	KEYLOCK-1170			1
15	160014-	LOCK RING			1
16	017001FW	SCREW			2
17	32155004	BEARING-U3101/3-U420			2
18	38335014	SPRING			2
19	21312772	WASHER			2
20	013730-	LOCK RING			4
21	38452071	HDL REL LEV-LH			1
22	38781006	AGITATOR PULLEY SEAL			1
23	38522032	REAR WHEEL-ABE-PD			1
24	37912013	WHEEL COVER			2
25	34122019	BOTTOM PLATE DUCT SE			1
26	37245087	BOTTOM PLATE - AG			1
27	38452048	HANDLE RELEASE U3101	38452053		1
28	32547002	REAR AXLE U3101-U310			1
29	35476012	FRAME-L.H.-AG			1
30	163340AG	DRIVE WHEEL COMPLETE			1
31	43124009	POWER DRIVE UNIT-CON			1
32	41967004	FRAME ASSEMBLY-RH-AG			1
33	016295-	SCREW ASSEMBLY A117			2
34	38452059	HDL REL LEV-RH-AG			1
35	34123003	DUCT SEAL U3101/3 U4			1
36	35476027	AGITATOR HSG BRKT-R.			1
37	38656023	AIR DUCT U3101/3 U42			1
38	21447203	SCREW-S2095/97/99			1
39	34751002	DETENT SPRING-U3101			1
40	38563018	CAM-HE			1
41	52115146	HOOD NAMEPLATE - U33			1
42	58341002	HANDLE SUPPORT - U33			1
	160031-	NUT			1
	56511267	OWNER MANUAL-CPT/STD			1
	58219007	FRONT SUPPORT - U331			1



Item	Part Number	Part Description	Alt Part	Series	Qty
1	48416009	AGITATOR ASSM COMP-U			1
	48414019	AGITATOR ASSM COMP -			1
	41435021	THREAD GUARD U3101/3			1
2	43267002	AGITATOR BEARING ASM			2
3	21347003	CONICAL WASHER			2
4	38537002	AGITATOR END PULLEY			1
5	48445019	AGITATOR BRUSH-9 MI			4
	48445016	AGITATOR BR-NATURAL			2
6	W10124350	NOT REQUIRED PART OR SEE NOTE			1
7	38528008	BELT-CONCEPT 1 AGITA			1
8	160070-	AGITATOR SHAFT 1170			1
9	41435023	AGITATOR END			1
10	41435018	THREAD GUARD U3101/3			1

Item	Part Number	Part Description	Alt Part	Series	Qty
1	43576074	MOTOR ASSEMBLY - U33			1
	21479573	SCREW			2
2	32162003	MOTOR MOUNT-L H U310			1
3	47315010	BRUSH & TERM ASSM-U7			2
4	47318008	BRUSH CARRIER ASSM-U			2
5	38353004	SPRING U3101/3 U4201			2
6	21479302	SCREW-U7069/71			2
7	42193004	MOTOR HSG ASSY U3101			1
8	44765065	ARMATURE-CONCEPT-PD-			1
9	45317027	FIELD ASSEM COMP - U			1
10	012854-	SPRING			1
11	43588001	FAN CHAMBER ASSY U31			1
12	38785002	SEAL-U3101/3 U4201/3			1
13	54821001	TAPE - CONCEPT MOTOR			1
14	38755003	FAN U3101/3 U4201/3			1
15	166563-	WASHER			3
16	33426001	NUT-S3005			1
17	38736015	FAN COVER			1





Standard Fit Tools...w/Retention Pin
 Friction Fit Tools...w/o Retention Pin

Item	Part Number	Part Description	Alt Part	Series	Qty
1	38671001	HOSE LESS ENDS MOLDE			1
	43431069	HOSE ONLY-U4901-U490	43434203		1
	43434203	HOSE ASSEM COMP - AA			1
	38671030	HOSE LESS ENDS-AAP			1
2	12845JM-	GASKET	38784087		1
	43453027	EXTENSION TUBE ASSEM			1
3	013149JM	NOZZLE CONNECTOR TUB			1
4	013254BZ	BRUSH BACK	43414016		1
5	161852JM	FURNITURE BRUSH-S305	43414016		1
	43414016	FURNITURE BRUSH-AG			1
6	43482077	CONVERTER ASSEM COMP			1
7	32761008	WHEEL-U3101/3 U4201/			1
8	21155119	ROLLER SHAFT			1
9	38452054	LATCH LEVER U3101/3			1
10	31142012	WASHER			1
11	017001FW	SCREW			1
12	39454059	HAND GRIP			1
	43466055	HOSE CONNECTOR CURVE			1
	43466068	HOSE GRIP W/SC-AG-S1			1
13	51869006	HOSE CONN LABEL-U490			1
14	36171025	HOSE CONNECTOR COLLA			1
	36116006	HOSE CONNECTOR COLLA			1
15	32156010	HOSE SLEEVE - BZ			1
16	32288007	HOSE CONNECTOR-SHORT			1
	32288003	HOSE CONNECTOR-BMH-J			1
	32288004	HOSE CONNECTOR-AAP-U			1
17	38711014	SUCTION CONTROL RING			1
18	36153009	LATCH RING-AG-S3273			1
19	43548006	CONVERTER SEAL ASSY			1
20	38617024	CREVICE TOOL - AG			1
	38617017	CREVICE TOOL-AG -S32			1
21	3863801P	EXTENSION TUBE-AG-PO			1
	38634078	EXTENSION TUBE-AG			1
22	38614029	FURNITURE NOZZLE-AG			1
	43414057	FURNITURE NOZZLE-AG-			1
	43414135	FLOOR BRUSH-AAP-FRIC	43414142		1
	43414145	DUSTING BRUSH			1
	170110-	SHAG VAC RAKE			1
	43434203	HOSE ASSEM COMP - AA			1
	43434209	HOSE ASSM COMP-MLD-J			1
	43434225	HOSE ASSEMBLY COMP-F			1
	43466040	HOSE TUBE ASSEM. - A			1