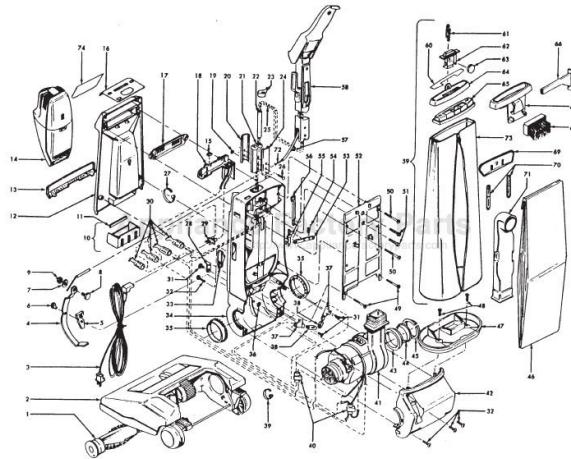


This Owner's Manual is provided and hosted by [Appliance Factory Parts](#).



# HOOVER U3331 Owner's Manual

[Shop genuine replacement parts for HOOVER U3331](#)



[Find Your HOOVER Vacuum Cleaner Parts - Select From 1456 Models](#)

----- Manual continues below part list -----

## Available Replacement Parts for HOOVER U3331

<a href="#">H-40201030</a>	BELT, FLAT, 2 pack
<a href="#">H-160147</a>	BELT, FLAT, 1 PACK
<a href="#">H-4010001A</a>	VACUUM BAG OEM HOOVER 3 PACK
<a href="#">H-43267002</a>	AGITATOR BEARING ASM
<a href="#">K-109289</a>	BULB



Original

**HOOVER**

CONCEPT TWO

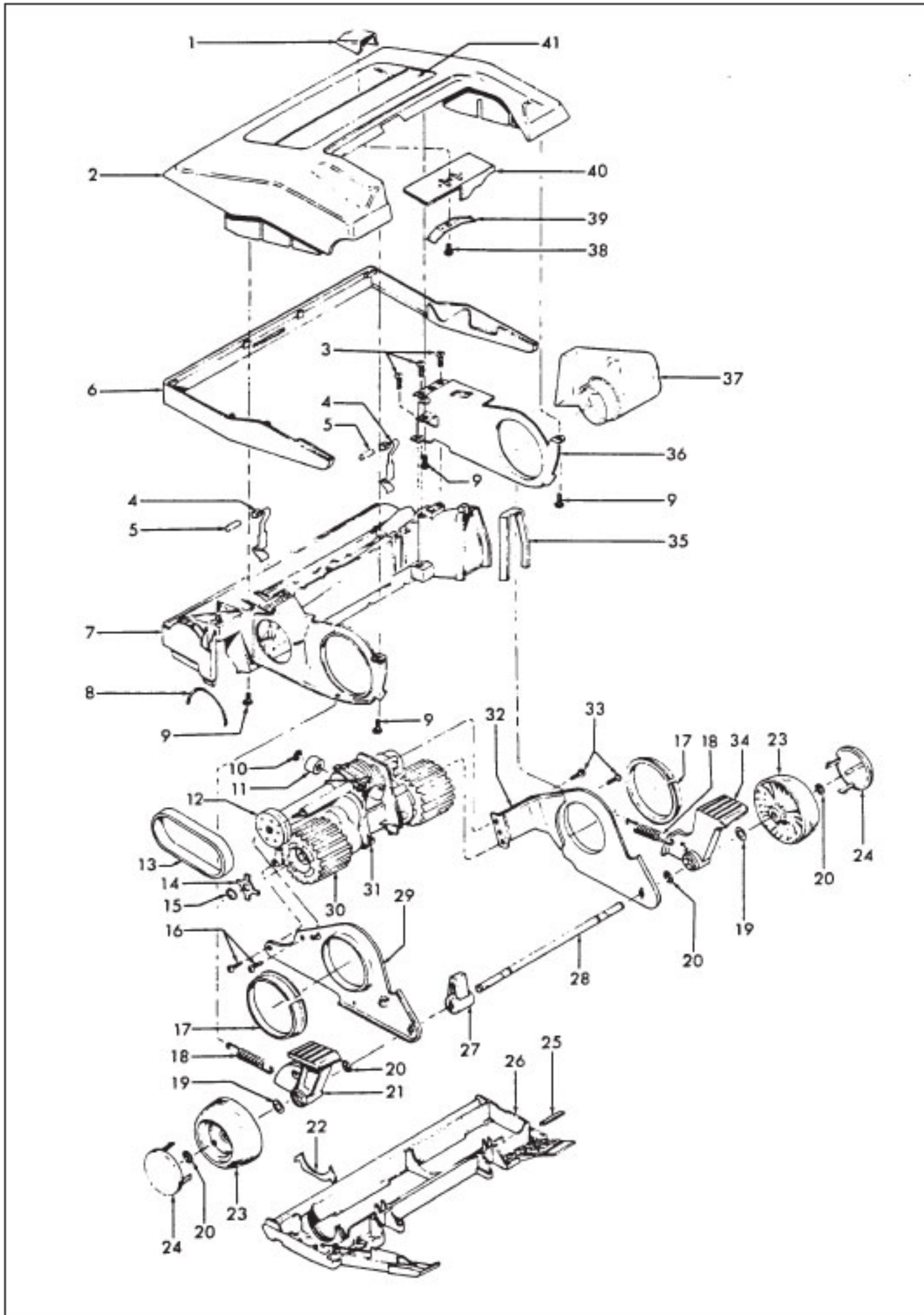
Models U3323, U3331

KEY	PART NO.	DESCRIPTION	KEY	PART NO.	DESCRIPTION
1	H-48416009	Agitator Ass'y Complete	43	H-32175011	Motor Mount - RH
2		Agitator Housing - See Detail	44	H-32156007	Seal Ring
3	H-46388002	Attachment Cord - JM	45	H-32155008	Mount Ring
4	H-43143073	Actuator Bar Ass'y - JM	46	H-4010001 A	Throw Away Bag 3 Pk
5	H-38511027	Pivot Bearing - AG	47	H-36425001	Jacket Bottom
6	H-160079 AW	Nut - Special	48	H-21447012	Screw - Self Tapping (2 Req.)
7	H-160059	Washer	49	H-21447019	Screw - Self Tapping (2 Req.)
8	H-160058	Bolt - Special	50	H-21447025	Screw - Self Tapping (2 Req.)
9	H-160061	Nut	51	H-21563001	Machine Screw (2 Req.)
10	H-41211020	Support Boot Ass'y - AG	52	H-37257092	Rear Cover - JM
11	H-34123023	Protector Strip	53	H-36153020	Pivot Link - JM
12	H-42253173	Front Cover & Nameplate Ass'y - MP	54	H-38333004	Tension Spring
	H-42253120	Front Cover & Nameplate Ass'y - MT - U3331	55	H-35155015	Lock Bar - JM
13	H-48111006	Lens - Shield Ass'y	56	H-38458018	Release Lever - AG
14		Hand Held Cleaner - Model S1057-600, S1057-700 (See Hand-Stick Section)	57	H-31718005	Control Cable Tube
15	H-38421040	Button - AG	58		Handle Ass'y (See Detail)
16	H-37951015	Housing Cover - MR	59	H-43677306	Outer Bag Complete - MP/MR
	H-37951016	Housing Cover - MU - U3331		H-43677308	Outer Bag Complete - MT/MU - U3331
17	H-35123001	Front Cover Insert - AG	60	H-51639084	Bag Cover Nameplate
18	H-46851024	Printed Circuit Board Ass'y	61	H-38334002	Spring
19	H-168278 AY	Washer	62	H-35111002	Drawer - AG
20	H-35152008	Handle Mounting Bracket - Front Half	63	H-57363003	Air Freshener Tablet (4 Pk.) - Spring Bouquet
21	H-36913016	Handle Insulator Support	64	H-37959054	Bag Cover - MR
22	H-31735007	Insulating Tube		H-37959052	Bag Cover - MU - U3331
23		Tape	65	H-37959045	Hanger - MR
24	H-35152011	Handle Mounting Bracket - Rear Half		H-37959043	Hanger - MU - U3331
25	H-46514010	Lead Wire Ass'y	66	H-38617009	Crevice Tool - AG - U3323
26	H-21254008	Rivet	67	H-36433058	Tool Rack - MR - U3323
27	H-27479307	Lead Wire Tie	68	H-48451001	Dusting Brush Ass'y - AG - U3323
28	H-34124011	Retainer	69	H-36425037	Jacket Support - JM
29	H-47116015	Terminal Plate - AG	70	H-36131050	Jacket Retainer - AG (2 Req.)
30	H-12227	Insulated Terminal (4 Req.)	71	H-38657010	Top Fill Tube - AG
31	H-21447003	Machine Screw (3 Req.)	72	H-43211010	Control Cable
32	H-21447013	Screw - Self Tapping (4 Req.)	73	H-43677298	Outer Bag - MP/MR
33	H-42983013	Cord Wrap Housing Ass'y - MP		H-43677315	Outer Bag - MT/MU - U3331
	H-42983011	Cord Wrap Housing Ass'y - MT - U3331	74	H-52115136	Front Coer Nameplate
34	H-42253189	Front Housing Ass'y - MP (Includes Items 19, 20, 21, 24 & 26)	ITEMS NOT ILLUSTRATED		
	H-42253192	Front Housing Ass'y - MT - U3331 (Includes Items 19, 20, 21, 24 & 26)		H-170975	Wrench - Special (This is a 1/2", 12 point, deep offset box wrench used on lt. 8, Part #160058, Bolt, in conjunction with the adjustment of the control cable.)
35	H-38511002	Bearing (2 Req.)			
36	H-19555	Spring Washer			
37	H-47176001	Lamp Socket Ass'y (2 Req.)			
38	H-27313101	Dirt Finder Lamp (2 Req.)			
39	H-27479307	Lead Wire Tie			
40	H-27617103	Connector (2 Req.)			
41	H-43576074	Motor Ass'y			
42	H-37195071	Motor Cover - MP			
	H-37195070	Motor Cover - MT - U3331			

# HOOVER Original

## CONCEPT TWO

Models U3321, U3323, U3331



Original

**HOOVER**

CONCEPT TWO

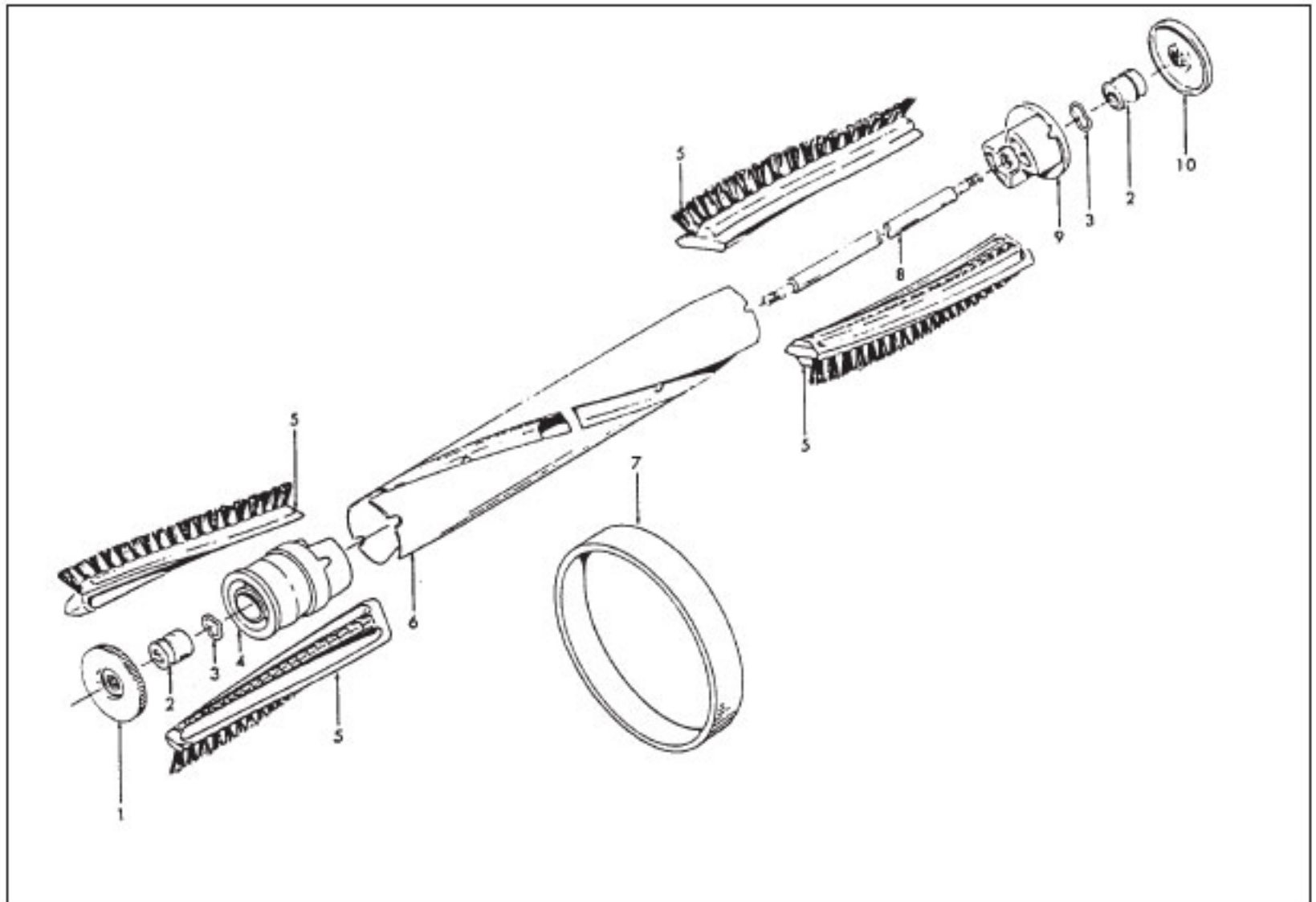
Models U3321, U3323, U3331

KEY	PART NO.	DESCRIPTION
1	H-38421038	Nozzle Adjustment Lever - AAK
	H-38421037	Nozzle Adjustment Lever - MP - U3323
	H-38421036	Nozzle Adjustment Lever - MT - U3331
2	H-37253166	Hood - AAK
	H-37253165	Hood - MP - U3323
	H-37253116	Hood - MT - U3331
3	H-21447003	Screw - Machine (3 Req.)
4	H-34788001	Agitator Clip (2 Req.)
5	H-31522016	Agitator Clip Pin (2 Req.)
6	H-36235030	Furniture Guard - HR
	H-36235029	Furniture Guard - MR - U3323
	H-36235021	Furniture Guard - AG - U3331
7	H-42246064	Agitator Housing Ass'y
8	H-12173	Agitator Pulley Seal - Upper
9	H-21447014	Screw - Self Tapping (4 Req.)
10	H-163699	Retaining Ring
11	H-31142014	Roller
12	H-38537001	Drive Pulley
13	H-160147 AG	Belt
14	H-160040 AY	Keylock
15	H-160014	Retaining Ring
16	H-17001	Screw - Self Tapping (2 Req.)
17	H-32155004	Bearing (2 Req.)
18	H-38335014	Spring (2 Req.)
19	H-21312772	Washer (2 Req.)
20	H-13730	Lock Ring (4 Req.)
21	H-38452071	Handle Release Lever - L.H. - AG
22	H-38781006	Agitator Pulley Seal - Lower
23	H-38522017	Rear Wheel - AG (2 Req.)
24	H-37912009	Wheel Cover - HR (2 Req.)
	H-37912007	Wheel Cover - MR (2 Req.) - U3323
	H-37912001	Wheel Cover - MU (2 Req.) - U3331
25	H-34112003	Bottom Plate Duct Seal
26	H-42245039	Bottom Plate Ass'y
27	H-38452048	Handle Release
28	H-32547002	Rear Axle
29	H-35476011	Frame - L.H.
30	H-163340 AG	Drive Wheel Ass'y
31	H-43124009	Power Drive Unit
32	H-41967002	Frame Ass'y - R.H.
33	H-16295	Screw - Self Tapping (2 Req.)
34	H-38452059	Handle Release Lever - R.H. - AG
35	H-34123003	Duct Seal
36	H-35476005	Agitator Housing Bracket - R.H.
37	H-38656023	Air Duct
38	H-21447015	Screw - Self Tapping
39	H-34751002	Detent Spring
40	H-38563015	Cam
41	H-52115132	Hood Nameplate

## ITEMS NOT ILLUSTRATED

H-160031 Nut (Power Drive Unit - Drive Shaft/Drive Pulley)

Original **HOOVER**  
CONCEPT ONE, TWO & POWERMAX



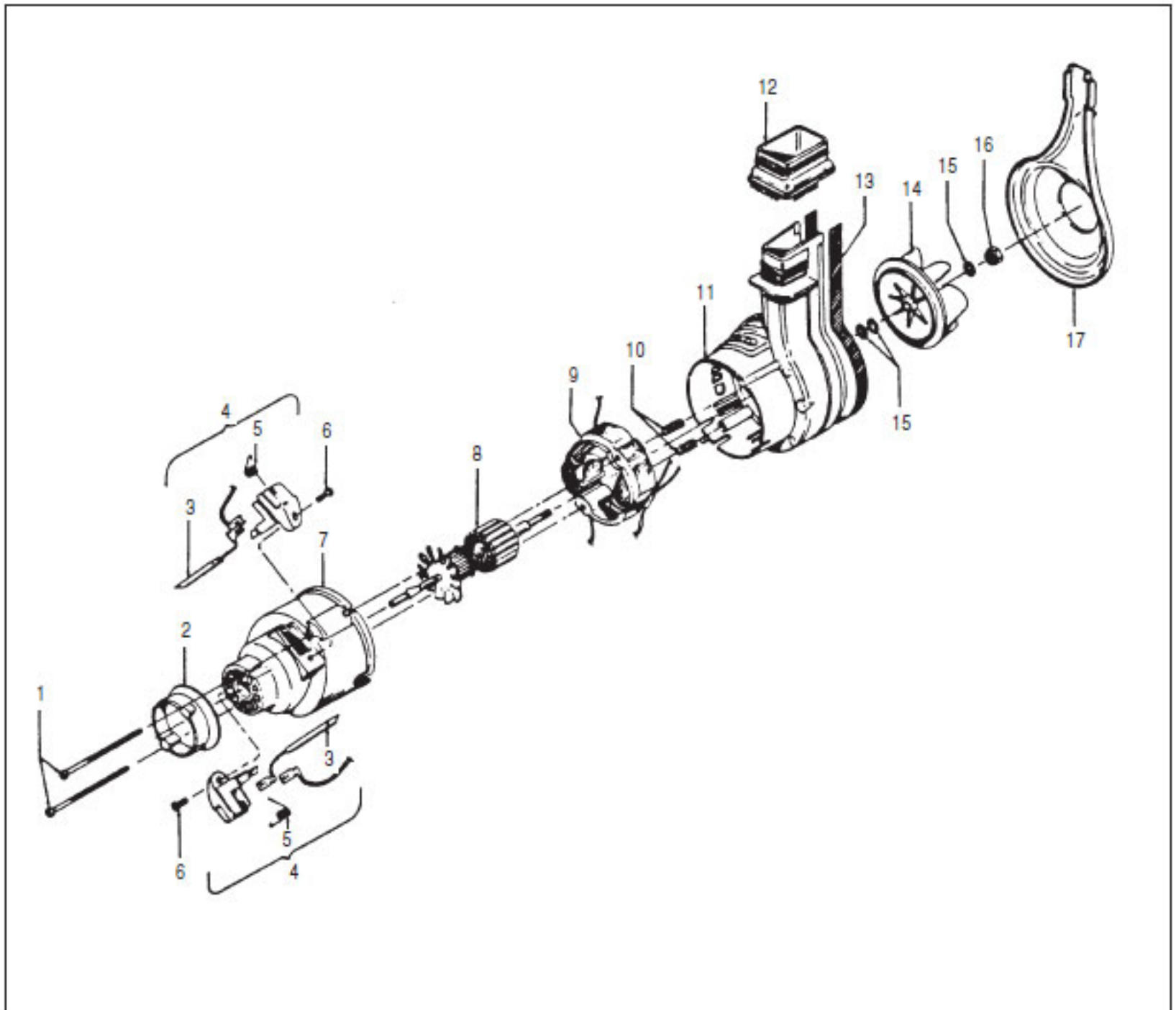
KEY	PART NO.	DESCRIPTION
	H-48414019	Agitator Ass'y Comp. - U3315-070, U3341-900, U3721-910, U3729-910
	H-48416009	Agaitator Ass'y Comp. - U3737-910, U3745-910
1	H-41435021	Thread Guard
2	H-43267002	Agitator Bearing Ass'y (2)
3	H-21347003	Conical Washer (2)
4	H-38537002	Agitator End Pulley
5	H-48445015	Agitator Brush (4)
	H-48445016	Agitator Brush (2) - U3315-070, U3341-900, U3721-910, U3729-910
6		(Not Available)
7	H-38528008	Agitator Belt
8	H-160070	Agitator Shaft
9	H-41435023	Agitator End
10	H-41435018	Thread Guard

Original

**HOOVER**

CONCEPT TWO

Models U3301, U3301-030, U3303, U3303-030, U3309, U4211, U4213, U4217

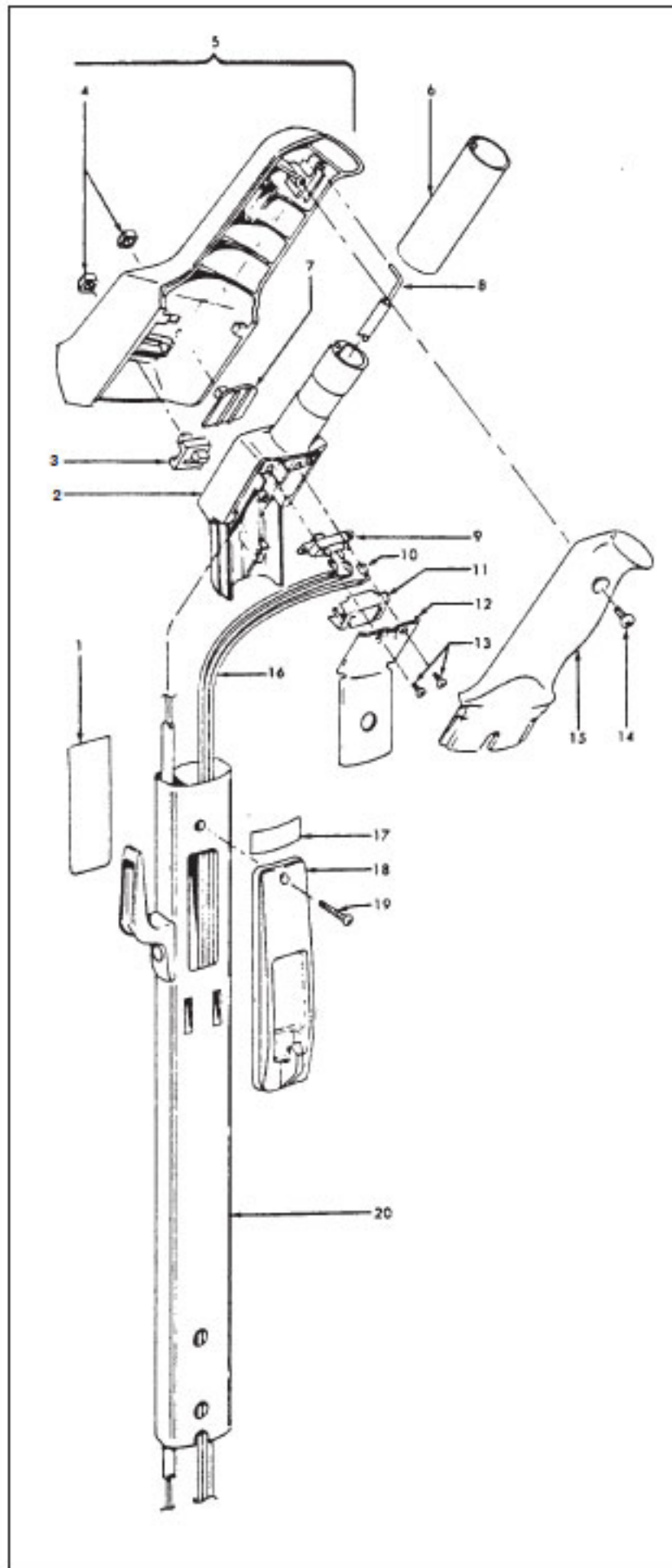


KEY	PART NO.	DESCRIPTION	KEY	PART NO.	DESCRIPTION
	H-43576039	Motor Ass'y Complete - U3301, U3301-030, U4211	9	H-45317019	Field Ass'y Complete - U3301, U3301-030, U4211
	H-43576038	Motor Ass'y Complete - U3303, U3303-030, U3309, U4213, U4217		H-45317007	Field Ass'y Complete - U3303, U3303-030, U3309, U4213, U4217
1	H-21479573	Screw - Self Tapping (2 Req.)	10	H-12584	Spring (2 Req.)
2	H-32162003	Motor Mount	11	H-43588001	Fan Chamber Ass'y
3	H-47315010	Brush & Terminal Ass'y (2 Req.)	12	H-38785002	Seal
4	H-47318008	Brush Carrier Ass'y (2 Req.)	13	H-54821001	Tape
5	H-38353004	Spring (2 Req.)	14	H-38755003	Fan
6	H-21479302	Screw - Self Tapping (2 Req.)	15	H-166563	Washer (3 Req.)
7	H-42193004	Motor Housing Ass'y	16	H-33426001	Nut
8	H-44765065	Armature Ass'y Complete	17	H-43588003	Fan Cover Ass'y

# HOOVER Original

## CONCEPT TWO

Models U3321, U3323, U3331



KEY	PART NO.	DESCRIPTION
1	H-51639095	Handle Tube Nameplate
2	H-36957012	Handle Support - AG
3	H-36142001	Drive Control Pin - AG
4	H-38421021	Switch Button - AG (2 Req.)
5	H-48663153	Handle Grip - Upper Half Ass'y Black AG - U3331 (Includes Items 3, 4, 7)
6	H-31754002	Handle Sleeve
7	H-38421042	Switch Actuator - AG
8	H-43211010	Control Cable
9	H-28179015	Switch
10	H-27666702	Terminal (3 Req.)
11	H-37258082	Terminal Shield
12	H-34777017	Handle Support Plate
13	H-21447125	Screw - Self Tapping (2 Req.)
14	H-21447041	Screw - Self Tapping
15	H-39458033	Handle Grip Black Lower Half - AG - U3331
16	H-46514010	Lead Wire Ass'y (3 Wire)
17	H-51869001	Warning Label
18	H-37258073	Handle Cover - KT
19	H-21447122	Screw - Self Tapping
20	H-48643124	Handle Tube & Cord Release Ass'y
	H-48643099	Handle Tube & Cord Release Ass'y - U3331

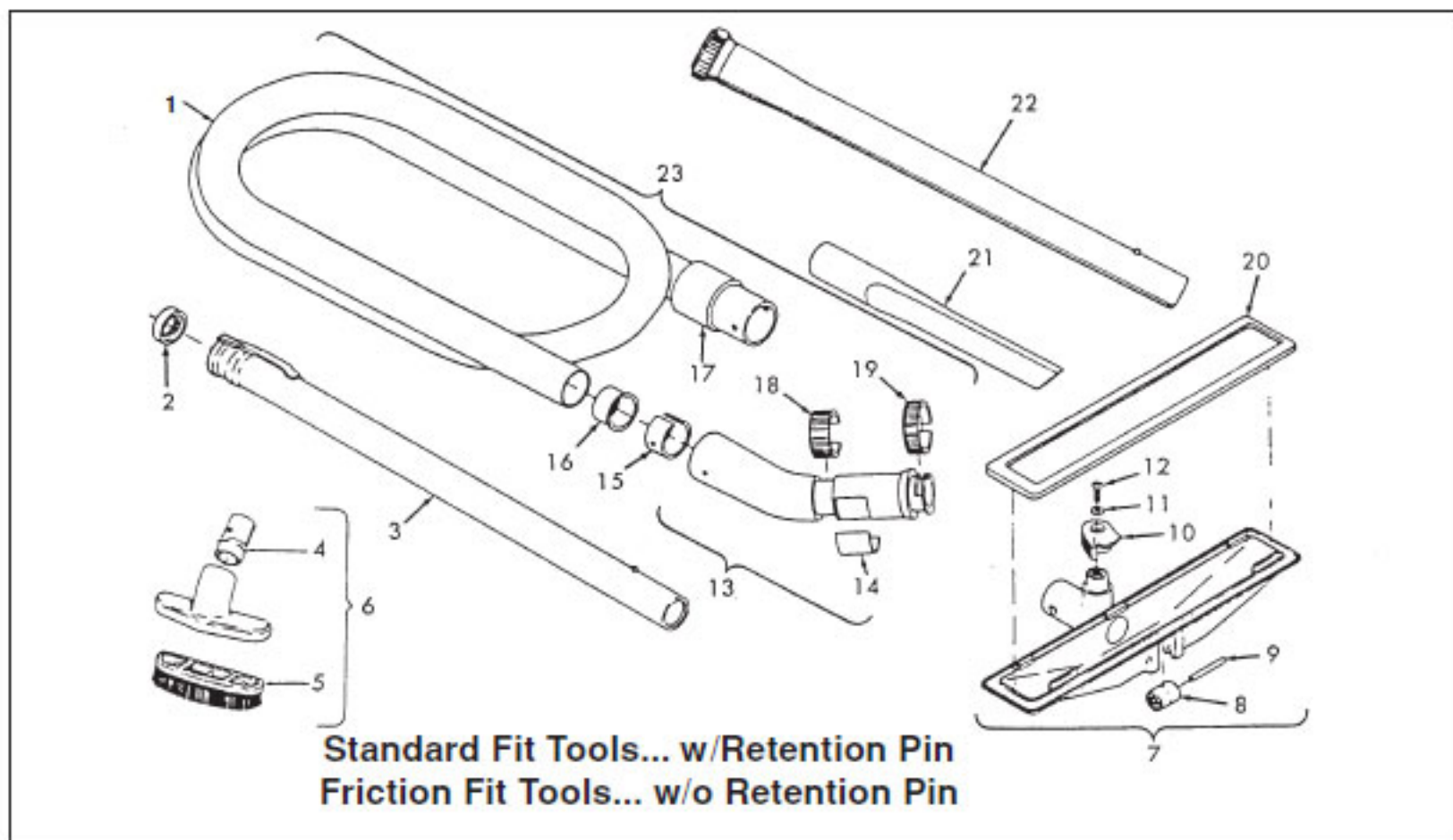
Original

**HOOVER**

CONCEPT

Cleaning Tools

Model U3903 (Standard), Model U3903-070 (Friction)



KEY	PART NO.	DESCRIPTION	KEY	PART NO.	DESCRIPTION
1	H-43431069	Hose Less Ends (Continuous Convolutions) - (Std. Fit Ends)	15	H-36116006	Hose Connector Collar (Use w/ Continuous Convolution Hose) - (Std. Fit. Hose)
	H-43431182	Hose Only (Std. Fit Ends)		H-36171025	Hose Connector Collar (Use w/ Circular Ribbed Hose) - (Std. Fit Hose)
	H-38671001	Hose Less Ends (Circular Ribbed) - (Std. Fit Ends)	16	H-32156010	Hose Sleeve (Std. Fit Hose)
	H-38671025	Hose Less Ends (Circular Ribbed) - (Friction Fit Ends)	17	H-32288001	Hose Connector (Use w/ Continuous convolution Hose) - (Std. Fit)
2	H-12845 JM	Gasket		H-32288003	Hose Connector (Use w/Circular Ribbed Hose) - (Std. Fit)
3	H-13144	Ext. Tube (Aluminum) - (Std. Fit)	18	H-32288004	Hose Connector - AAP - (FrictionFit)
4	H-13149 JM	Nozzle Connector Tube (Use w/161852 JM)	19	H-36153008	Suction Control Ring - (Standard)
5	H-13254 BZ	Brush Back Comp. (Use w/161852 JM)	20	H-43548006	Latch Ring - (Standard)
6	H-161852 JM	Furniture Brush Comp.	21	H-38617018	Converter Seal
	H-43414017	Multi-Purpose Brush (One Piece) - (Std. Fit)		H-38617023	Crevice Tool - (Std. Fit)
7	H-43482077	Converter - (Standard & Friction Fit)	22	H-43453043	Crevice Tool - (Friction Fit)
8	H-32761008	Wheel		H-38634074	Ext. Tube (Polystyrene) - (Std. Fit)
9	H-21155119	Roller Shaft			Ext. Tube (Polystyrene) - (Friction Fit)
10	H-38452054	Latch Lever	23	H-43434203	(Continuous Convolutions) (w/o Suction Regulator) - (Std. Fit)
11	H-31142012	Washer		H-43434209	Hose Comp. - Front Conversion (Circular Ribbed) (w/o Suction Regulator) - (Std. Fit)
12	H-17001	Screw		H-43434225	Hose Comp. - AAP - (Friction Fit)
13	H-43466042	Hose Connector Curved w/Rings - JM (Use w/Continuous Convolution Hose) - (Std. Fit)		H-43414071	Furniture Nozzle - (Std. Fit)
	H-43466055	Hose Connector Curved w/Ring (w/o Suction Regulator) (Use with Circular Ribbed Hose) - (Std. Fit)		H-38614026	Furniture Nozzle - (Friction Fit)
	H-39454053	Hose Connector Curved - AAP - (Hand Grip) - (Friction Fit)		H-43466040	Ext. Tube - Curved
14	H-51869006	Hose Connector Label		H-170110 --	Shag Rake
				H-43414129	Dusting Brush - (Friction Fit)
				H-43414135	Floor Brush - (Friction Fit)