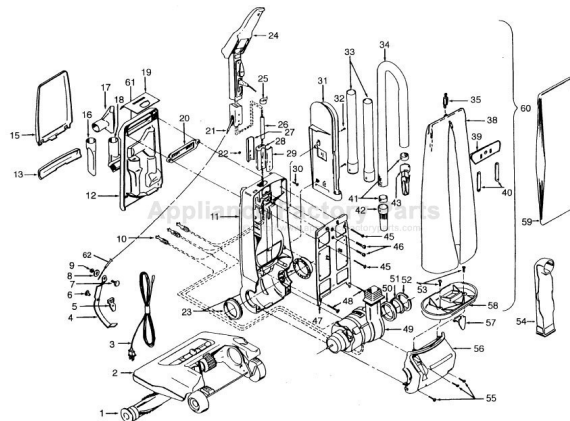


This Owner's Manual is provided and hosted by [Appliance Factory Parts](#).



HOOVER U3715-930 Owner's Manual

[Shop genuine replacement parts for HOOVER
U3715-930](#)



[Find Your HOOVER Vacuum Cleaner Parts - Select From 1456 Models](#)

----- Manual continues below part list -----

Available Replacement Parts for HOOVER U3715-930

| | |
|----------------------------|------------------------------|
| H-40201030 | BELT, FLAT, 2 pack |
| H-160147 | BELT, FLAT, 1 PACK |
| H-4010001A | VACUUM BAG OEM HOOVER 3 PACK |
| H-43267002 | AGITATOR BEARING ASM |

| Ref. No. | Part No. | Description | Ref. No. | Part No. | Description |
|----------|----------|---|----------|----------|---------------------------------------|
| 1 | 48414013 | Agitator Assem. (Molded) - See Detail (P - 282) | 42 | 32288011 | Hose Adapter - AG |
| 2 | - | Agitator Housing - See Detail (P - 288) | 43 | 38638057 | Hose Connector |
| 3 | 46383315 | Cord | 44 | N/A | |
| 4 | 43143096 | Actuator Bar Assem. | 45 | 21447025 | Screw - Self-Tapping (2) |
| 5 | 38511027 | Pivot Bearing | 46 | 21563001 | Machine Screw (2) |
| 6 | 160079AW | Nut - Special | 47 | 37257092 | Rear Cover |
| 7 | 160058 | Bolt - Special | 48 | 21447019 | Screw - Self-Tapping (2) |
| 8 | 160059 | Washer | 49 | 43576074 | Motor Assem. - See Detail - (P - 188) |
| 9 | 21641623 | Nut | 50 | 32175011 | Motor Mount |
| 10 | 12227 | Insulated Terminal (3) | 51 | 32156007 | Seal Ring |
| 11 | 42253049 | Front Housing Assem. - ABC - (Incl. It. 22 & 27-30) | 52 | 32155006 | Mount Ring |
| 12 | 37254084 | Front Cover w/o Nameplate (Ref. It. 61) | 53 | 21447012 | Screw - Self-Tapping |
| 13 | 37246127 | Panel - ABC | 54 | 38657010 | Top Fill Tube |
| 14 | N/A | | 55 | 21447013 | Screw - Self-Tapping (3) |
| 15 | 37257003 | Tool Door | 56 | 37195096 | Motor Cover - ABC |
| 16 | 38617024 | Crevice Tool | 57 | 39442040 | Cord Wrap - Lower |
| 17 | 38614029 | Furniture Nozzle | 58 | 36425008 | Jacket Bottom |
| 18 | 43414145 | Dusting Brush - Friction | 59 | 4010001A | Throw Away Bag (3 Pk.) |
| 19 | 37951006 | Housing Cover | 60 | 43677365 | Jacket Assem. - Comp. - ABC |
| 20 | 35123001 | Front Cover Insert | 61 | 52115192 | Housing Nameplate |
| 21 | 43211010 | Control Cable | 62 | 66661201 | Control Cable Tube |
| 22 | 168278AY | Washer | | | |
| 23 | 38511002 | Bearing | | | |
| 24 | - | Handle Assem. - See Detail - (P - 263) | | | |
| 25 | - | Tape | | | |
| 26 | 31735007 | Insulating Tube | | | |
| 27 | 35152008 | Handle Mounting Bracket - Front Half | | | |
| 28 | 36913016 | Handle Insulator Support | | | |
| 29 | 35152011 | Handle Mounting Bracket - Rear Half | | | |
| 30 | 21254008 | Rivet | | | |
| 31 | 36433090 | Hose Rack | | | |
| 32 | 21447217 | Screws - Self-Tapping (2) | | | |
| 33 | 38634078 | Extension Tube (2) | | | |
| 34 | 43434017 | Hose Assem. Comp. | | | |
| 35 | 38334002 | Spring | | | |
| 36 | N/A | | | | |
| 37 | N/A | | | | |
| 38 | 43677369 | Outer Bag | | | |
| 39 | 36425037 | Jacket Support | | | |
| 40 | 36131050 | Jacket Retainer (2) | | | |
| 41 | 36116014 | Hose Connector Collar | | | |

ITEMS NOT ILLUSTRATED

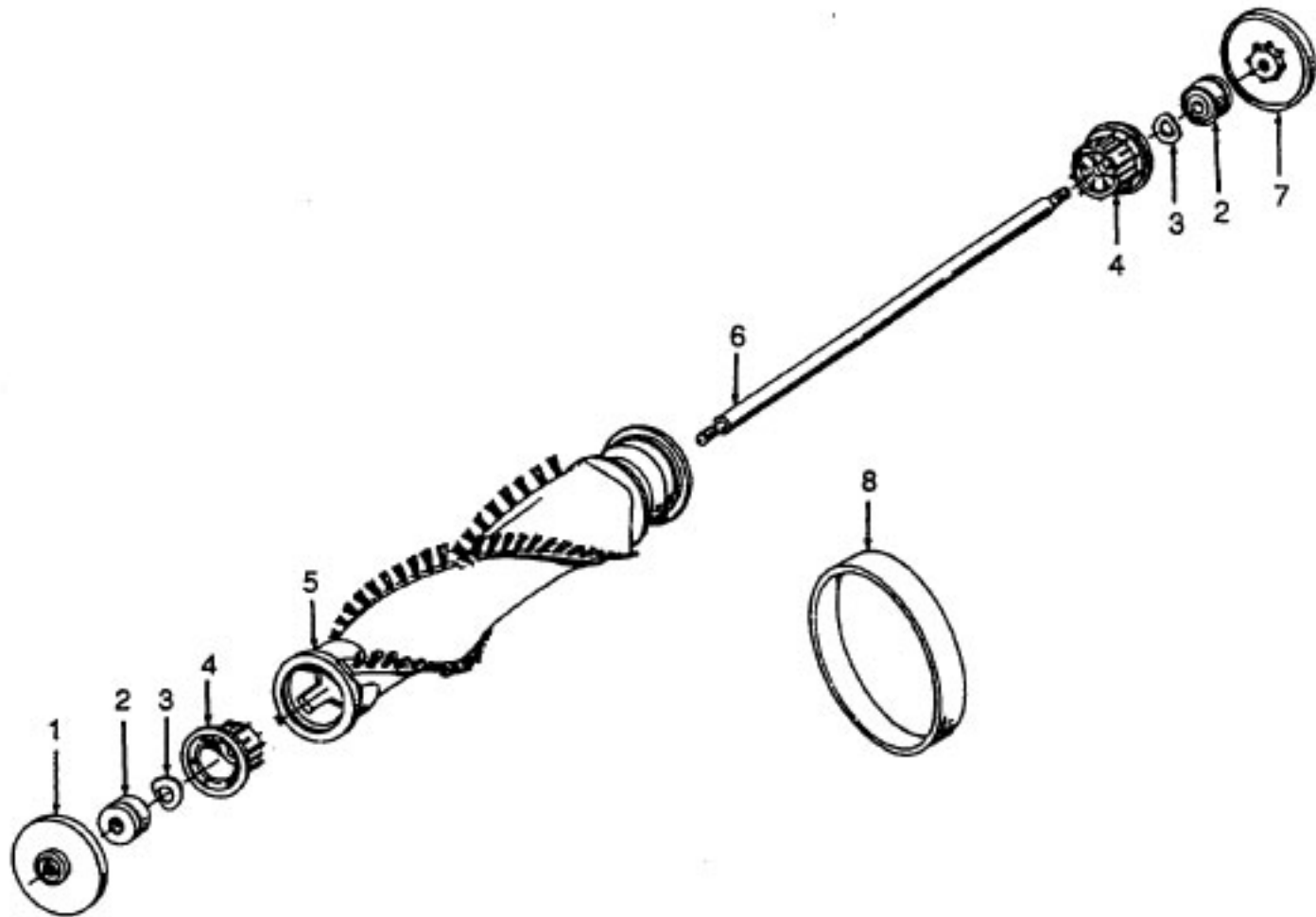
| | |
|----------|---|
| 19555 | Spring Washer (Frt. Hsg./Act. Bar) |
| 27479307 | Cable Tie |
| 21447003 | Screw Self - Tapping (Retainer) |
| 34124011 | Retainer |
| 36172002 | Hose Rack Clip |
| 170975 | Wrench - Special (This is a 1/2" 12 point, deep offset box wrench used on Item 7, Part 160058 Bolt, in conjunction with the adjustment of the control cable.) |

PACKAGING MATERIAL

| | |
|----------|--------------------|
| 56511368 | Owner Manual |
| 58152103 | Carton |
| 58211013 | Lower Support |
| 58249004 | Front Support |
| 58268002 | Top Handle Support |
| 58341010 | Handle Support |

Agitator

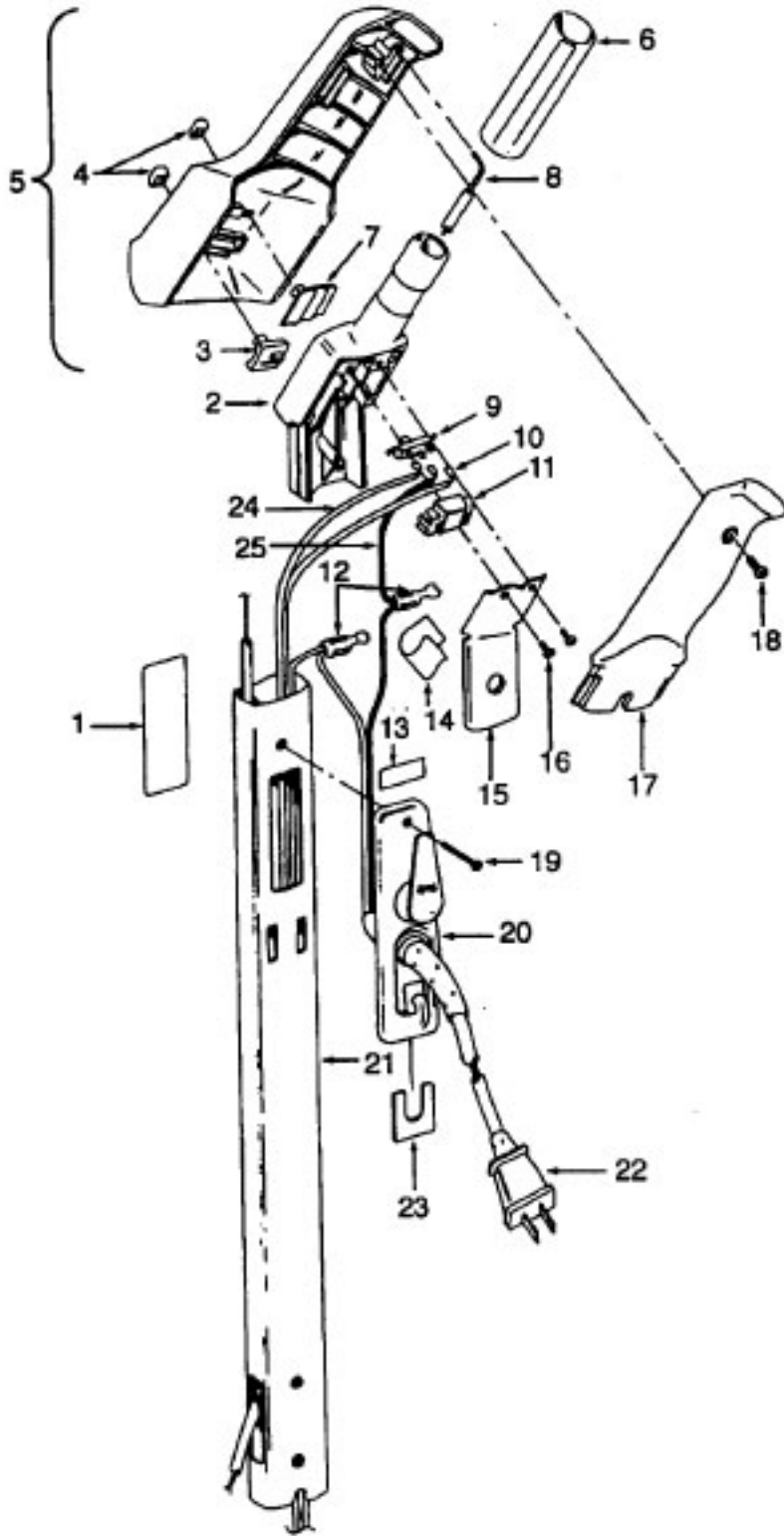
Models U3715-930, U3725-930, U3729-930, U3737-930
U3745-930, U6311-930, U6317-930, U6318-930 U6319-930,
U6321-930, U6335-930, U6323-930, U6329-930



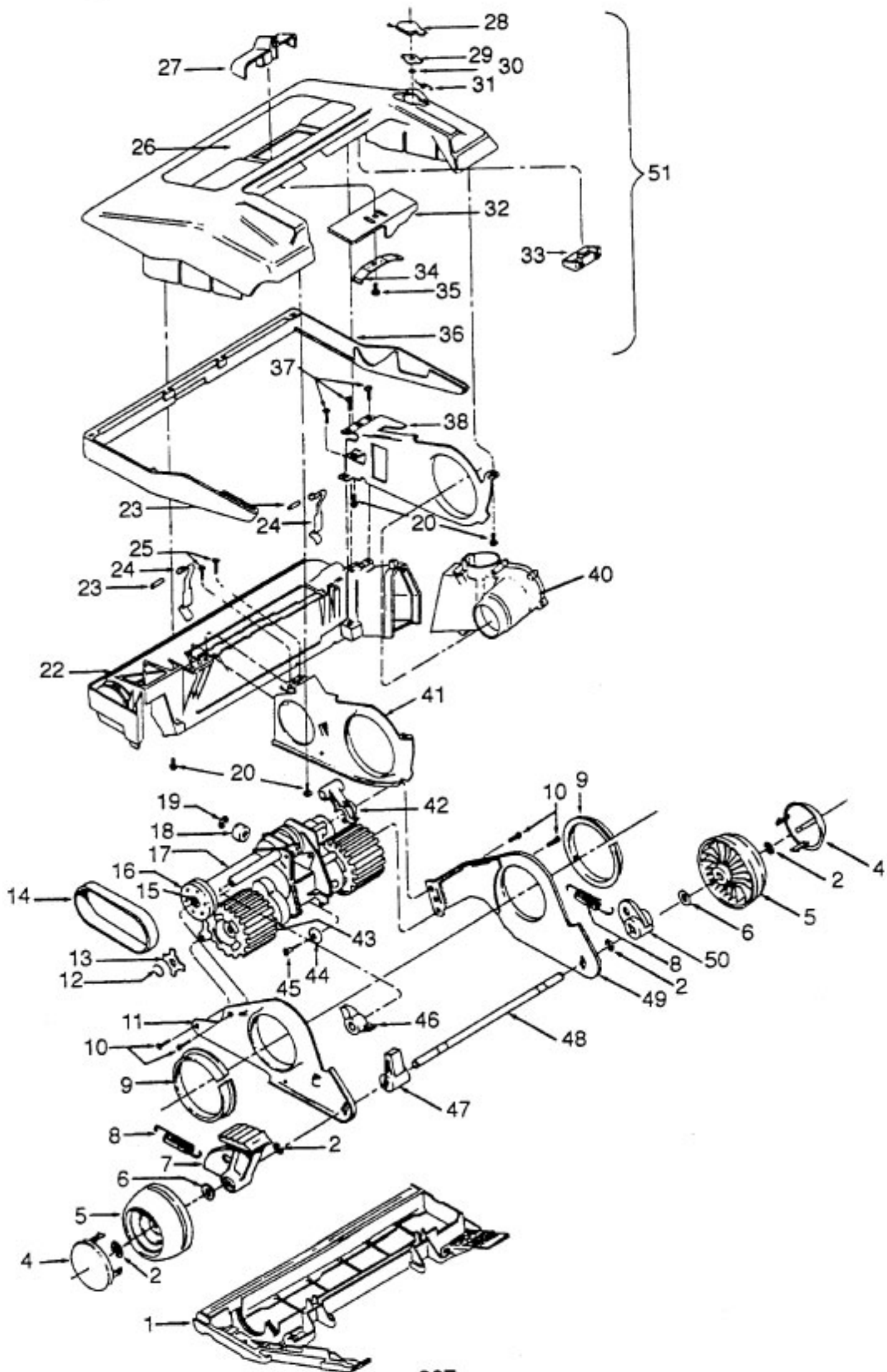
| Ref. No. | Part No. | Description |
|----------|----------|-----------------------------|
| | 48414013 | Agitator Assem. Comp. - AG |
| 1 | 41435018 | Thread Guard |
| 2 | 43267002 | Agitator Bearing Assem. (2) |
| 3 | 21347003 | Conical Washer (2) |
| 4 | 36422022 | Agitator End (2) |
| 5 | 48414004 | Agitator Body |
| 6 | 160070 | Agitator Shaft |
| 7 | 41435021 | Thread Guard - Knurled |
| 8 | 38528008 | Agitator Belt |

PowerMAX - Handle

**Models U3715-930, U3721-910, U3721-930, U3725-930
U3729-910, U3729-930, U3737-910, U3737-930, U3745-910,
U3745-930**



| Ref. No. | Part No. | Description |
|----------|----------|---|
| 1 | 51669050 | Handle Tube Nameplate - U3721-91 0 |
| | 51669051 | Handle Tube Nameplate - U3729-91 0 |
| | 51669052 | Handle Tube Nameplate - U3737-91 0 |
| | 51669053 | Handle Tube Nameplate - U3745-91 0 |
| | 51669059 | Handle Tube Nameplate - U3729-930, U3737-930, U3745-930 |
| 2 | 36957012 | Handle Support |
| 3 | 36142001 | Drive Control Pin |
| 4 | 38421021 | Switch Button (2) |
| 5 | 48663153 | Handle Grip - Assem. - Upper - Incl. Items 3,4,7 |
| | | |
| 6 | 31754002 | Handle Sleeve |
| 7 | 38421042 | Switch Actuator |
| | | |
| 8 | 43211010 | Control Cable |
| | 66661203 | Control Cable Tube |
| 9 | 28179021 | Switch |
| 10 | 27666702 | Terminal (3) |
| 11 | 37258082 | Terminal Shield |
| 12 | 12227 | Insulated Terminal |
| 13 | 51869001 | Warning Label |
| 14 | NA | Tape |
| 15 | 34777017 | Handle Support Plate |
| 16 | 21447218 | Screw - Self-Tapping (2) |
| 17 | 39458033 | Handle Grip - Lower Half |
| 18 | 21447041 | Screw - Self-Tapping |
| 19 | 21447122 | Screw - Self-Tapping |
| 20 | 42262063 | Handle Cover/Cord Release |
| 21 | 39467071 | Handle Tube w/o Nameplate & Label (Ref. It's. 1 & 13) - U3729-91 0, U3729-930, U3737-91 0, U3737-930, U3745-91 0, U3745-930 |
| | 39467078 | Handle Tube w/o Nameplate & Label (Ref. It's. 1 & 13) - U3715-930, U3721-910, U3721-930, U3725-930 |
| 22 | 46383315 | Cord |
| 23 | 34253010 | Cord Protection Retainer |
| 24 | 46513008 | Lead Wire (Switch/Motor) |
| 25 | 46143064 | Lead Wire (Switch/Conn./ Attach. Cord) |



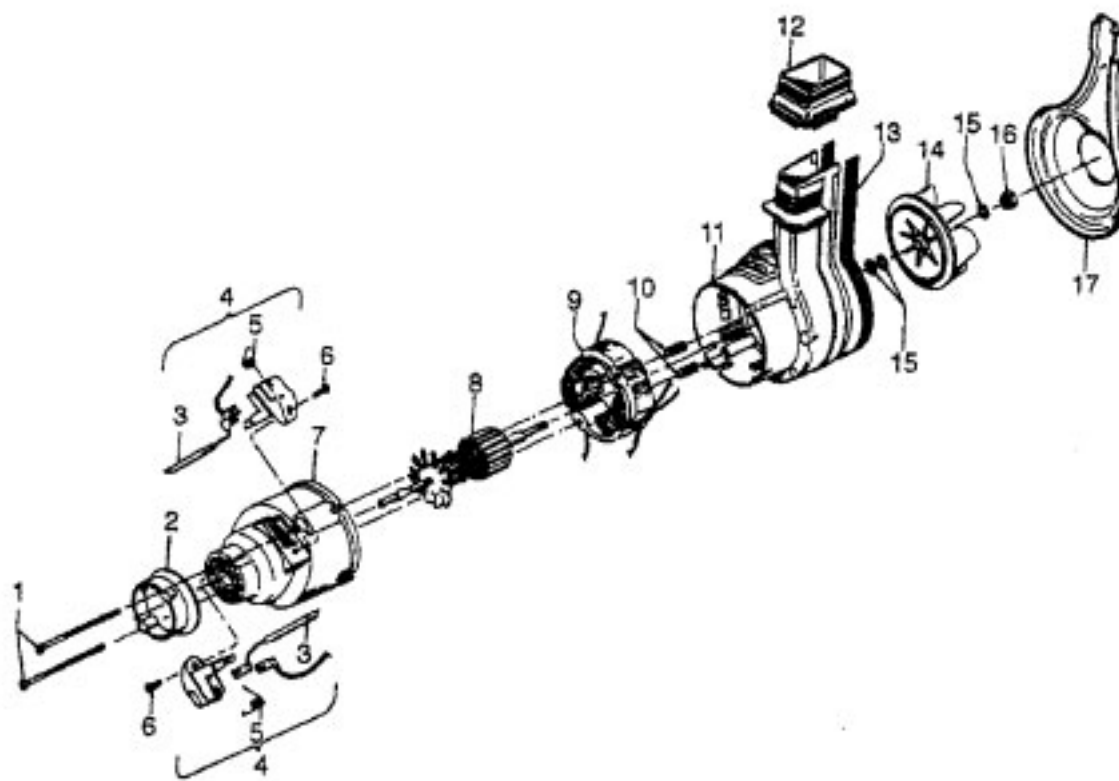
PowerMAX - Agitator Housing

Models U3715-930, U3725-930

| Ref. No. | Part No. | Description | Ref. No. | Part No. | Description |
|----------|----------|---|----------|----------|--|
| 1 | 37245087 | Bottom Plate (Use with Molded Agitator) | 28 | 37257174 | Air Intake Assm. - ABC - U3715-930 (incl. It.'s 29,30) |
| 2 | 13730 | Lock Ring (4) | | 37257165 | Air Intake Assm. - AAY - U3725-930 (incl. It.'s 29,30) |
| 3 | N/A | | | | |
| 4 | 37912013 | Wheel Cover (2) | 29 | 38784057 | Seal |
| 5 | 38522029 | Rear Wheel (2) | 30 | 21362006 | Speed Nut |
| 6 | 21312772 | Washer (2) | 31 | 38351016 | Spring |
| 7 | 38452087 | Handle Release Lever - LH | 32 | 38563015 | Cam |
| 8 | 38335014 | Spring (2) | 33 | 35131001 | Hood Support |
| 9 | 32155004 | Bearing (2) | 34 | 34751002 | Detent Spring |
| 10 | 17001FW | Screw - Self-Tapping | 35 | 21447203 | Screw - Self-Tapping |
| 11 | 35476012 | Frame - LH | 36 | 36235082 | Furniture Guard |
| 12 | 160014 | Retaining Ring | 37 | 21447203 | Screw - Self-Tapping (3) |
| 13 | 160040AY | Keylock | 38 | 35476027 | Agitator Housing Bracket - RH |
| 14 | 160147AG | Belt | 39 | N/A | |
| 15 | 160031 | Nut (P.D. Unit/Pulley) | 40 | 43486005 | Duct Assm. |
| 16 | 38537001 | Drive Pulley | 41 | 35476016 | Agitator Housing Bracket - LH |
| 17 | 43124013 | Power Drive Unit (Inc. items 10, 12(2), 13(2), 15, 16, 18, 19, 42, 43(2), 44, 45, 49) | 42 | 38562013 | Lifter - RH |
| 18 | 31142014 | Roller | 43 | 163340AG | Drive Wheel |
| 19 | 163699 | Retaining Ring | 44 | 32761003 | Wheel |
| 20 | 21447014 | Screw - Self-Tapping (4) | 45 | 21479782 | Screw |
| 21 | N/A | | 46 | 38562010 | Lifter - LH |
| 22 | 42246064 | Agitator Housing Assm. | 47 | 38452048 | Handle Release |
| 23 | 31522016 | Agitator Clip Pin (2) | 48 | 32547002 | Rear Axle |
| 24 | 34788001 | Agitator Clip (2) | 49 | 41967004 | Frame Assm. - RH |
| 25 | 21447203 | Screw - Self-Tapping | 50 | 36131018 | Spring Retainer |
| 26 | 52115195 | Hood Nameplate | 51 | 42252331 | Hood Assm. w/o Nameplate - U3715-930 (Ref. It. 26) - Incl. It.'s 27-36 |
| 27 | 38421084 | Nozzle Adj. Lever - ABC - U3715-930 | | 42252343 | Hood Assm. w/o Nameplate - U3725-930 (Ref. It. 26) - Incl. It. 27-36 |
| | 38421080 | Nozzle Adj. Lever - AAY - U3725-930 | | | |

Motor

Models U3315, U3315-070, U3317, U3319-9, U3319-970, U3321, U3323, U3329, U3331, U3335, U3341-900, U3715-930, U3721-910, U3721-930, U3725-930, U3729-910, U3729-930, U3737-910, U3737-930, U3745-910, U3745-930



| Ref. No. | Part No. | Description |
|----------|----------|-----------------------------|
| | 43578074 | Motor Assem. Comp. |
| 1 | 21479573 | Screw - Self Tapping (2) |
| 2 | 32162003 | Motor Mount |
| 3 | 47315010 | Brush & Terminal Assem. (2) |
| 4 | 47318008 | Brush Carrier Assem. (2) |
| 5 | 38353004 | Spring (2) |
| 6 | 21479302 | Screw - Self Tapping (2) |
| 7 | 42193004 | Motor Housing Assem. |
| 8 | 44765065 | Armature Assem. Comp. |
| 9 | 45317027 | Field Assem. Comp. |
| 10 | 12854 | Spring |
| 11 | 43588001 | Fan Chamber Assem. |
| 12 | 38785002 | Seal |
| 13 | 54821001 | Tape |
| 14 | 38755003 | Fan |
| 15 | 166563 | Washer (3) |
| 16 | 33426001 | Nut |
| 17 | 38736015 | Fan Cover Assem. |