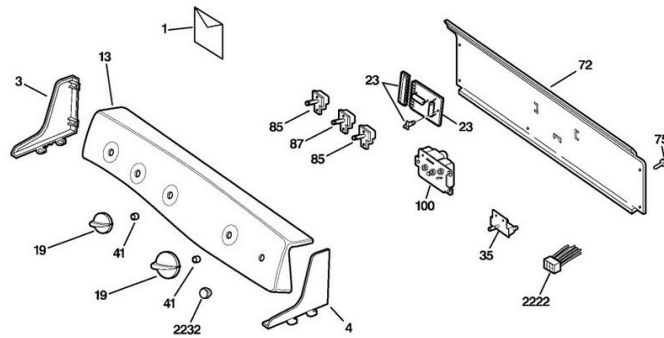


This Owner's Manual is provided and hosted by [Appliance Factory Parts](http://Appliance Factory Parts).



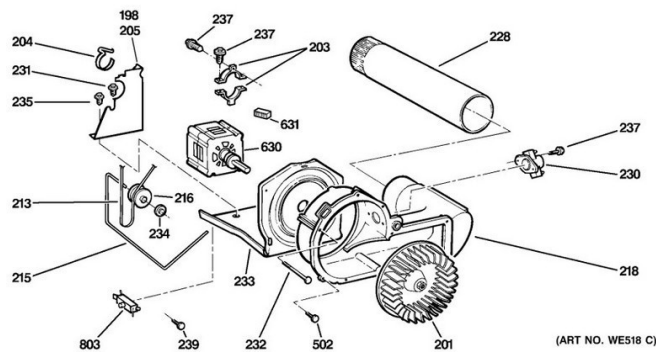
# GE DPSR610EG1WT Owner's Manual

[Shop genuine replacement parts for GE  
DPSR610EG1WT](#)



Appliance Factory Parts

<http://www.appliancefactoryparts.com>



[Find Your GE Dryer Parts - Select From 3387 Models](#)

----- Manual continues below -----



# Profile Dryers

**Safety Instructions** ..... 2-4

**Operating Instructions**

Control Panels ..... 5, 7  
Control Settings ..... 6, 8  
Dryer Features ..... 9  
Loading and Using the Dryer .... 11  
Reversing the Door ..... 10  
Venting the Dryer ..... 12

**Troubleshooting Tips** ... 13, 14

**Consumer Support**

Consumer Support ..... 16  
Warranty ..... 15

**Owner's Manual**

DPSE810  
DPSR610

**Write the model and serial number here:**

**Model #** \_\_\_\_\_

**Serial #** \_\_\_\_\_

You can find them on a label on the front of the dryer behind the door.



# IMPORTANT SAFETY INFORMATION. READ ALL INSTRUCTIONS BEFORE USING.

## ⚠ WARNING!

For your safety, the information in this manual must be followed to minimize the risk of fire or explosion, electric shock, or to prevent property damage, personal injury, or death.

- Do not store or use gasoline or other flammable vapors and liquids in the vicinity of this or any other appliance.
- Installation and service must be performed by a qualified installer, service agency or the gas supplier.

## WHAT TO DO IF YOU SMELL GAS:

- 1 Do not try to light a match, or cigarette, or turn on any gas or electrical appliance.
- 2 Do not touch any electrical switch; do not use any phone in your building.
- 3 Clear the room, building or area of all occupants.
- 4 Immediately call your gas supplier from a neighbor's phone. Follow the gas supplier's instructions carefully.
- 5 If you cannot reach your gas supplier, call the fire department.

### California Safe Drinking Water and Toxic Enforcement Act

This act requires the governor of California to publish a list of substances known to the state to cause cancer, birth defects or other reproductive harm and requires businesses to warn customers of potential exposure to such substances.

Gas appliances can cause minor exposure to four of these substances, namely benzene, carbon monoxide, formaldehyde and soot, caused primarily by the incomplete combustion of natural gas or LP fuels.

Properly adjusted dryers will minimize incomplete combustion. Exposure to these substances can be minimized further by properly venting the dryer to the outdoors.



## PROPER INSTALLATION

This dryer must be properly installed and located in accordance with the Installation Instructions before it is used. If you did not receive an Installation Instructions sheet, you can receive one by visiting [ge.com](http://ge.com) or by calling **800.GE.CARES** (800.432.2737).

- Properly ground dryer to conform with all governing codes and ordinances. Follow details in Installation Instructions.
- Install or store where it will not be exposed to temperatures below freezing or exposed to the weather.
- Connect to a properly rated, protected and sized power supply circuit to avoid electrical overload.
- Remove all sharp packing items and dispose of all shipping materials properly.

### Exhaust/Ducting:

- 1 All dryers **MUST** be exhausted to the outside.
- 2 Use only rigid metal 4" diameter ductwork inside the dryer cabinet. Use only rigid metal or flexible metal 4" diameter ductwork for exhausting to the outside. **USE OF PLASTIC OR OTHER COMBUSTIBLE DUCTWORK CAN CAUSE A FIRE. PUNCTURED DUCTWORK CAN CAUSE A FIRE IF IT COLLAPSES OR BECOMES OTHERWISE RESTRICTED IN USE OR DURING INSTALLATION.**

For complete details, follow the Installation Instructions.



## YOUR LAUNDRY AREA

- Keep the area underneath and around your appliances free of combustible materials (lint, paper, rags, etc.), gasoline, chemicals and other flammable vapors and liquids.
- Keep the floor around your appliances clean and dry to reduce the possibility of slipping.
- Close supervision is necessary if this appliance is used near children. Do not allow children to play on, with or inside this or any other appliance.
- Keep all laundry aids (such as detergents, bleaches, etc.) out of the reach of children, preferably in a locked cabinet. Observe all warnings on container labels to avoid injury.
- Never climb on or stand on the dryer top.

## ⚠ WARNING!



## WHEN USING YOUR DRYER

- Never reach into the dryer while the drum is moving. Before loading, unloading or adding clothes, wait until the drum has completely stopped.
- Clean the lint filter before each load to prevent lint accumulation inside the dryer or in the room.  
**DO NOT OPERATE THE DRYER WITHOUT THE LINT FILTER IN PLACE.**
- Do not wash or dry articles that have been cleaned in, washed in, soaked in or spotted with combustible or explosive substances (such as wax, oil, paint, gasoline, degreasers, dry-cleaning solvents, kerosene, etc.). These substances give off vapors that may ignite or explode. Do not add these substances to the wash water. Do not use or place these substances around your washer or dryer during operation.
- Do not place items exposed to cooking oils in your dryer. Items contaminated with cooking oils may contribute to a chemical reaction that could cause a clothes load to catch fire.
- Any article on which you have used a cleaning solvent or that contains flammable materials (such as cleaning cloths, mops, towels used in beauty salons, restaurants or barber shops, etc.) must not be placed in or near the dryer. There are many highly flammable items used in homes such as acetone, denatured alcohol, gasoline, kerosene, some household cleaners, some spot removers, turpentine, waxes, wax removers and products containing petroleum distillates.
- The laundry process can reduce the flame retardancy of fabrics. To avoid such a result, carefully follow the garment manufacturer's care instructions.
- Do not dry articles containing rubber, plastic, foam or similar materials such as padded bras, tennis shoes, galoshes, bath mats, rugs, bibs, baby pants, plastic bags, pillows, etc., that may melt or burn. Some rubber materials, when heated, can under certain circumstances produce fire by spontaneous combustion.
- Do not store plastic, paper or clothing that may burn or melt on top of the dryer during operation.
- Garments labeled *Dry Away from Heat* or *Do Not Tumble Dry* (such as life jackets containing Kapok) must not be put in your dryer.
- Do not dry fiberglass articles in your dryer. Skin irritation could result from the remaining particles that may be picked up by clothing during subsequent dryer uses.
- To minimize the possibility of electric shock, unplug this appliance from the power supply or disconnect the dryer at the household distribution panel by removing the fuse or switching off the circuit breaker before attempting any maintenance or cleaning (except the removal and cleaning of the lint filter). **NOTE:** Turning the Cycle Selector knob to an off position, or pressing PAUSE does **NOT** disconnect the appliance from the power supply.

# IMPORTANT SAFETY INFORMATION. READ ALL INSTRUCTIONS BEFORE USING.

## ⚠ WARNING!



### WHEN USING YOUR DRYER (cont.)

- Never attempt to operate this appliance if it is damaged, malfunctioning, partially disassembled, or has missing or broken parts, including a damaged cord or plug.
- The interior of the machine and the exhaust duct connection inside the dryer should be cleaned at least once a year by a qualified technician. See the *Loading and Using the Dryer* section.
- If yours is a gas dryer, it is equipped with an automatic electric ignition and does not have a pilot light. **DO NOT ATTEMPT TO LIGHT WITH A MATCH.** Burns may result from having your hand in the vicinity of the burner when the automatic ignition turns on.
- You may wish to soften your laundered fabrics or reduce the static electricity in them by using a dryer-applied fabric softener or an anti-static conditioner. We recommend you use either a fabric softener in the wash cycle, according to the manufacturer's instructions for those products, or try a dryer-added product for which the manufacturer gives written assurance on the package that their product can be safely used in your dryer. Service or performance problems caused by use of these products are the responsibility of the manufacturers of those products and are not covered under the warranty to this appliance.



### WHEN NOT USING YOUR DRYER

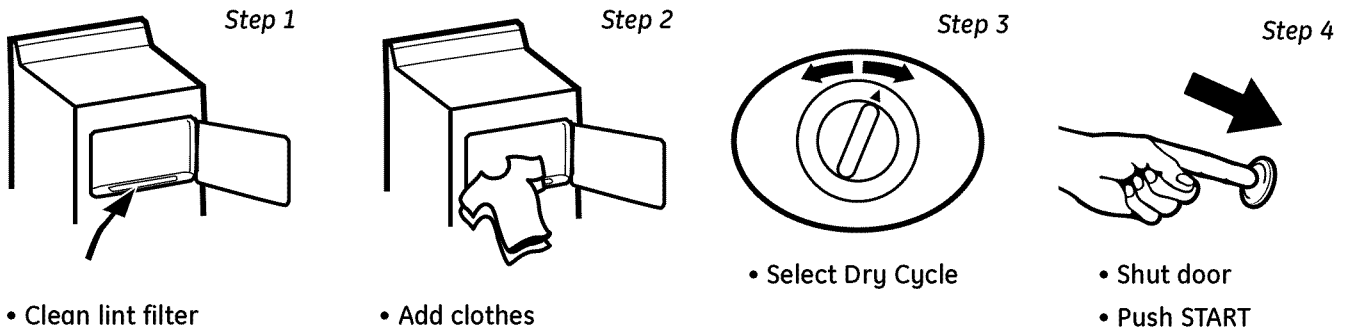
- Grasp the plug firmly when disconnecting this appliance to avoid damage to the cord while pulling. Place the cord away from traffic areas so it will not be stepped on, tripped over or subjected to damage.
- Do not attempt to repair or replace any part of this appliance or attempt any servicing unless specifically recommended in this Owner's Manual or in published user-repair instructions that you understand and have the skills to carry out.
- Before discarding a dryer, or removing it from service, remove the dryer door to prevent children from hiding inside.
- Do not tamper with controls.



**READ AND FOLLOW THIS SAFETY INFORMATION CAREFULLY.  
SAVE THESE INSTRUCTIONS**

# About the control panel—for model DPSE810.

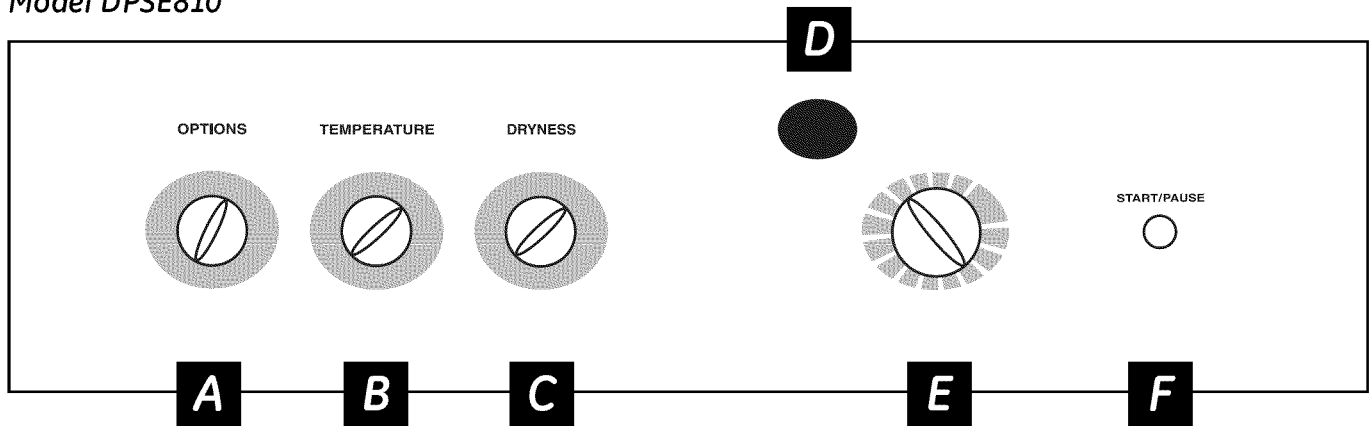
ge.com



## Quick Start Guide

**NOTE:** When making a selection with any knob, simply point the knob anywhere within the shaded range for that setting.

### Model DPSE810



## About the control settings.

### **A** End of Cycle Signal

This signal will sound just before the end of the cycle to remind you to remove the clothes.

If you select the **EXTENDED TUMBLE** option, the signal will sound at the end of the drying time and will sound several times during the **EXTENDED TUMBLE** cycle. This will remind you that it is time to remove the clothes.

#### **NOTE:**

- Remove garments promptly at the sound of signal. Place clothes on hangers so wrinkles won't set in.
- Use the **END OF CYCLE SIGNAL** especially when drying fabrics like polyester knits and permanent press. These fabrics should be removed so wrinkles won't set in.

### **Extended Tumble**

Use this option to minimize the wrinkles in clothes. It provides approximately 1 hour of no-heat tumbling after the clothes are dry.

If you are using **CYCLE SIGNAL** and you select the **EXTENDED TUMBLE** option, a signal will sound at the end of the drying time and several times during the **EXTENDED TUMBLE** cycle. This will remind you that it is time to remove the clothes.

## About the control settings.

### B Temperature

HIGH	For regular to heavy cottons.
MEDIUM	For synthetics, blends, delicates and items labeled <i>permanent press</i> .
LOW	For delicates, synthetics and items labeled <i>tumble dry low</i> .
EXTRA LOW	For delicates, synthetics and items labeled <i>tumble dry low</i> .
NO HEAT	For <i>fluffing</i> items without heat. For use only with the <b>TIMED DRY</b> cycles.

### C Dryness—Selection only used for **SENSOR** cycles. Timed Cycles run for the selected time at the selected temperatures.

MORE DRY	Use for heavy-duty fabrics.
DRY	Use for a normal dryness level suitable for most loads. This is the preferred cycle for energy savings.
LESS DRY	Use for lighter fabrics.
DAMP	For leaving items partially damp.

### D Estimated Time Remaining Display

- Displays the **approximate** time remaining until the end of the cycle.
- If the estimated time remaining is 60 minutes or more, "1H" will flash in the display, followed by the additional remaining minutes. When the time remaining is less than 60 minutes, the timer will count down.

### E Drying Cycles—Sensor cycles automatically determine fabric dryness. Timed cycles run for the selected time.

COTTONS	For cottons and most linens.
EASY CARE	For wrinkle-free, permanent press and delicate items, and knits.
DELICATES	For delicate items, special-care fabrics and knits.
MIXED LOAD	For loads consisting of cottons and poly-blends.
TIMED DRY	Set the Cycle Selector at the desired drying time.
DAMP DRY	For leaving items partially damp.
DEWRINKLE	For removing wrinkles from items that are clean and dry or that are very lightly damp.
QUICK FLUFF	For freshening or fluffing up already dry clothing, fabric, linens and pillows. Use with <b>NO HEAT</b> . Provides 10 minutes of <b>no-heat</b> tumbling.
DRYEL	Designed for use with DRYEL® "dry-clean only" fabric care system. See product package for directions. For questions or issues related to the use and performance of DRYEL, call 1.800.214.8913, or visit the DRYEL Website at <a href="http://www.dryel.com">www.dryel.com</a> .

#### ANTI-BACTERIAL



NSF Protocol P154  
Sanitization Performance of  
Residential Clothes Dryers

This option reduces certain types of bacteria by 99.9%, including: *Staphylococcus aureus*, *Pseudomonas aeruginosa* and *Klebsiella pneumoniae*\*. The anti-bacterial process occurs when high heat is used during a portion of the drying cycle.

**NOTE:** Do not use this cycle on delicate fabrics.

\*The Anti-Bacterial Cycle is Certified by NSF International (formerly National Sanitation Foundation) to NSF Protocol P154 Sanitization Performance of Residential Clothes Dryers.

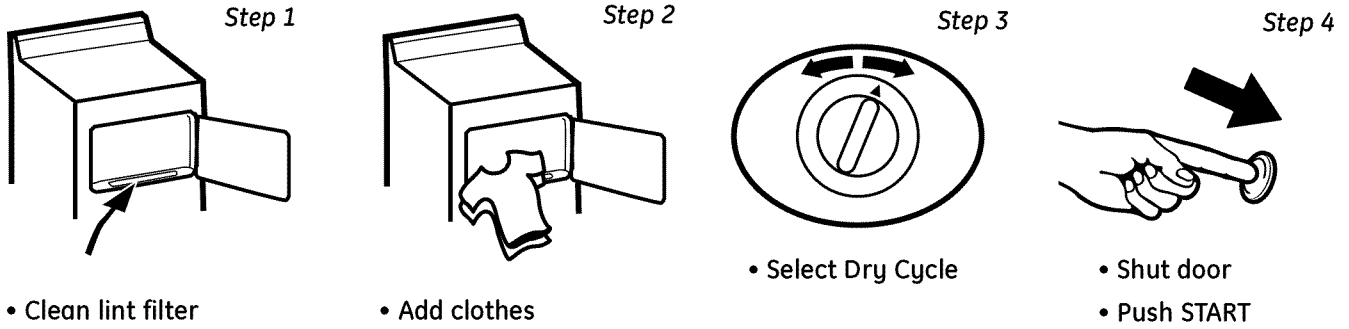
KNITS	For knits with fabric care labels that say "Machine Dry".
TOWELS	For most towels and linens.

### F START—Close the dryer door. Press **START**. Opening the door during operation will stop the dryer. To restart the dryer, close the door and press **START** to complete the cycle. If the dryer is running, press once to pause the cycle; press again to continue the cycle. If the dryer is paused for more than 24 hours, the cycle will be cancelled. To stop the cycle, hold the button for 3 seconds.

**NOTE:** Drying times will vary according to the type of heat used (Electric, Natural or LP gas), size of load, types of fabrics, wetness of clothes and condition of exhaust ducts.

# About the control panel—for model DPSR610.

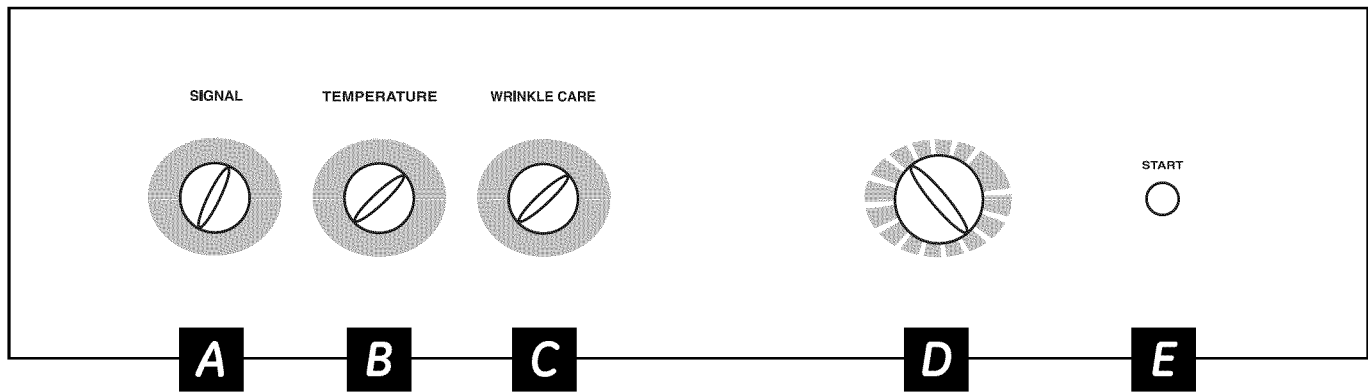
ge.com



## Quick Start Guide

**NOTE:** When making a selection with any knob, simply point the knob anywhere within the shaded range for that setting.

### Model DPSR610



## About the control settings.

### **A** End of Cycle Signal

This signal will sound at the end of the cycle to remind you to remove the clothes.

**NOTE:**

- Remove garments promptly at the sound of signal. Place clothes on hangers so wrinkles won't set in.
- Use the **END OF CYCLE SIGNAL** especially when drying fabrics like polyester knits and permanent press. These fabrics should be removed so wrinkles won't set in.

## About the control settings.

**IMPORTANT:** Clean the lint filter each time you use the dryer.

### **B** Temperature

<b>HIGH HEAT</b>	For regular to heavy cottons.
<b>MEDIUM HEAT</b>	For synthetics, blends, delicates and items labeled <i>permanent press</i> .
<b>NO HEAT</b>	For <i>fluffing</i> items without heat. For use only with the <b>TIMED DRY</b> cycles.
<b>LOW HEAT</b>	For delicates, synthetics and items labeled <i>tumble dry low</i> .

### **C** Wrinkle Care

Use this option to minimize the wrinkles in clothes. It provides approximately 15 minutes of no-heat tumbling after the clothes are dry.

This option can only be used with the **COTTONS**, **EASY CARE** and **DELICATES** cycles. If you are using **CYCLE SIGNAL** and you select the **WRINKLE CARE** option, a signal will sound at the end of the drying time and several times during the **WRINKLE CARE** cycle. This will remind you that it is time to remove the clothes.

If **WRINKLE CARE** is not **ON**, the dryer will stop once the timer reaches the **WRINKLE CARE** mark on the cycle dial.

**D** **Drying Cycles**—Automatic cycles automatically determine fabric dryness. Select **LESS DRY** if you want your clothes slightly damp at the end of the drying cycle. Select **MORE DRY** if you want them to feel drier. Timed cycles run for the selected time.

<b>COTTONS</b>	For cottons and most linens. For most loads, select <b>OPTIMUM DRY</b> .
<b>EASY CARE</b>	For wrinkle-free, permanent press and delicate items, and knits.
<b>DELICATES</b>	For delicate items, special-care fabrics and knits.
<b>TIMED DRY</b>	Set the Cycle Selector at the desired drying time.
<b>DAMP DRY</b>	For leaving items partially damp.
<b>DEWRINKLE</b>	For removing wrinkles from items that are clean and dry or that are very lightly damp.
<b>QUICK FLUFF</b>	For freshening or fluffing up already dry clothing, fabric, linens and pillows. Use with <b>NO HEAT</b> . Provides 10 minutes of <b>no-heat</b> tumbling.

**E** **START**—Close the dryer door. Press **START**. Opening the door during operation will stop the dryer. To restart the dryer, close the door and press **START** to complete the cycle.

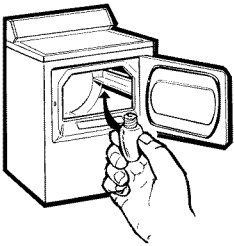
**NOTE:** Drying times will vary according to the type of heat used (Electric, Natural or LP gas), size of load, types of fabrics, wetness of clothes and condition of exhaust ducts.

## Dryness Sensor Cycle

### **Dryness Sensor Cycle** (on some models)

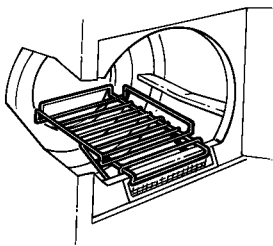
This feature is only activated in the **COTTONS**, **EASY CARE** and **DELICATES** cycles.

The **Dryness Sensor** provides greater drying accuracy than standard machines, resulting in shorter dry times and better clothes care. As the clothes tumble, they touch a moisture sensor. The sensor will stop the heating cycle as soon as the clothes have reached the selected dryness.



### **Drum Lamp**

Before replacing the light bulb, be sure to unplug the dryer power cord or disconnect the dryer at the household distribution panel by removing the fuse or switching off the circuit breaker. Reach above dryer opening from inside the drum. Remove the bulb and replace with the same size bulb.



### **Drying Rack** (on some models)

A handy drying rack may be used for drying delicate items such as washable sweaters.

Hook the rack over the lint filter so the rack extends into the dryer drum.

#### **NOTE:**

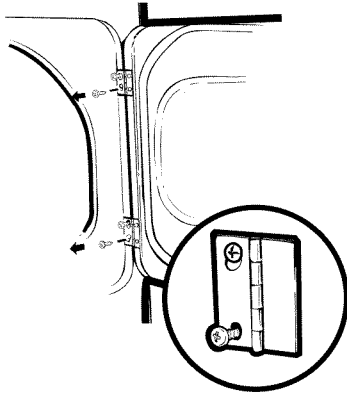
- The drying rack must be used with the **TIMED CYCLE**.
- Do not use this drying rack when there are other clothes in the dryer.

### **Stainless Steel Drum** (on some models)

The stainless steel used to make the dryer drum provides the highest reliability available in a GE dryer. If the dryer drum should be scratched or dented during normal

use, the drum will not rust or corrode. These surface blemishes will not affect the function or durability of the drum.

## About reversing the door.

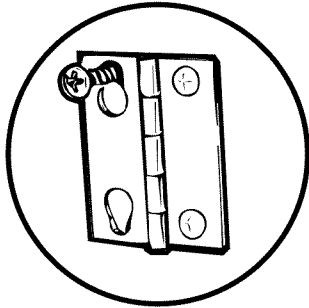


### Reversing the Door

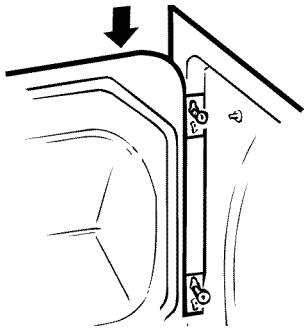
Tools needed:

- Standard #2 Phillips screwdriver
- Tape-tipped putty knife

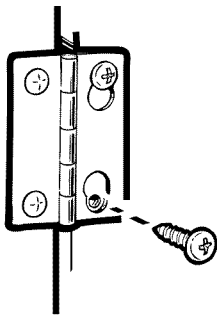
**1** Open the door and remove the filler plugs opposite the hinges. With the door completely open, remove the bottom screw from each hinge on the dryer face. Insert these screws about half way into the **TOP** holes, for each hinge, on the opposite side (where you removed the filler plugs). Apply firm pressure to get the screw started in new holes.



**2** Loosen top screw from each hinge on the dryer face half way. With one hand holding the top of the door and the other hand holding the bottom, remove the door from the dryer by lifting it **UP** and **OUT**.



**3** Rotate the door 180°. Insert it on the opposite side of the opening by moving the door **IN** and **DOWN** until the top hinge and the bottom hinge are resting on the top screws inserted in step 1.



**4** Remove the remaining screws from the side of the opening from which the door was removed. With these screws, secure each hinge at the bottom. Tighten the two top screws of each hinge. Reinsert the plastic plugs on the side from which the door was removed.

# About loading and using the dryer.

Always follow the fabric manufacturer's care label when laundering.



## Sorting and Loading Hints

As a general rule, if clothes are sorted properly for the washer, they are sorted properly for the dryer.

Do not add fabric softener sheets once the load has become warm. They may cause fabric softener stains. Bounce® Fabric Conditioner Dryer Sheets have been approved for use in all GE Dryers when used in accordance with the manufacturer's instructions.

**Do not overload.** This wastes energy and causes wrinkling.

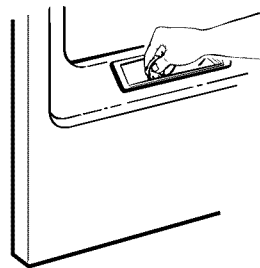
**Do not dry the following items:** fiberglass items, woolens, rubber-coated items, plastics, items with plastic trim and foam-filled items.



## Care and Cleaning of the Dryer

**The Exterior:** Wipe or dust any spills or washing compounds with a damp cloth. Dryer control panel and finishes may be damaged by some laundry pretreatment soil and stain remover products. Apply these products away from the dryer. The fabric may then be washed and dried normally. Damage to your dryer caused by these products is not covered by your warranty.

**The Lint Filter:** Clean the lint filter before each use. Moisten your fingers and reach into the filter opening. Run your fingers across the filter. Have a qualified technician vacuum the lint from the dryer once a year.



**Stainless Steel:** To clean stainless steel surfaces, use a damp cloth with a mild, non-abrasive cleaner suitable for stainless steel surfaces. Remove the cleaner residue, and then dry with a clean cloth.

**The Exhaust Duct:** Inspect and clean the exhaust ducting at least once a year to prevent clogging. A partially clogged exhaust can lengthen the drying time.

**Follow these steps:**

- 1 Turn off electrical supply by disconnecting the plug from the wall socket.
- 2 Disconnect the duct from the dryer.
- 3 Vacuum the duct with the hose attachment and reconnect the duct.

**The Exhaust Hood:** Check from the outside that the flaps of the hood move freely when operating. Make sure that there is not wildlife (birds, insects, etc.) nesting inside the duct or hood.



## Fabric Care Labels

Below are fabric care label "symbols" that affect the clothing you will be laundering.

### WASH LABELS

<b>Machine wash cycle</b>						
<b>Water temperature</b>						

### BLEACH LABELS

<b>Bleach symbols</b>			
-----------------------	--	--	--

### DRY LABELS

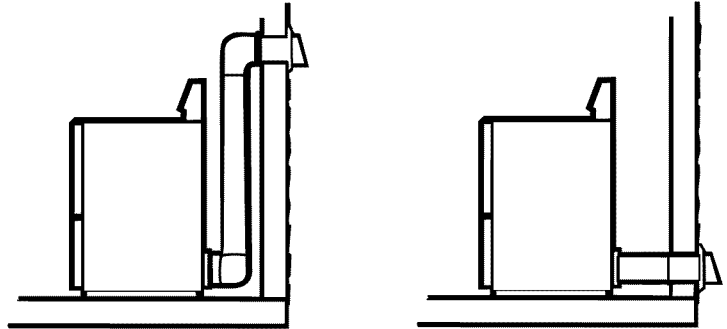
<b>Tumble dry</b>						
<b>Heat setting</b>						
<b>Special instructions</b>						

## About venting the dryer.

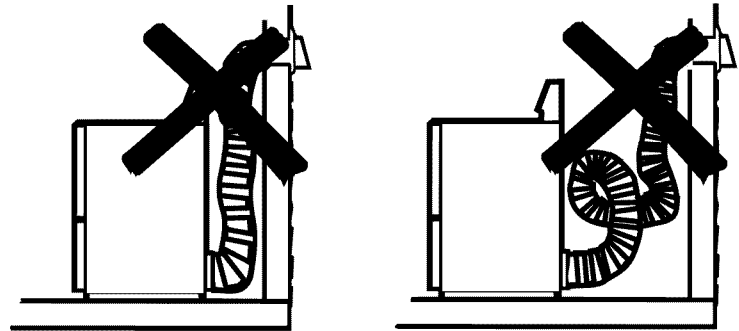
For the best drying performance, the dryer needs to be properly vented. **The dryer will use more energy and run longer if it is not vented to the below specifications. Carefully follow the details on Exhausting in the Installation Instructions.**

- Use only rigid metal 4" diameter ductwork inside the dryer cabinet. Use only rigid metal or flexible metal 4" diameter ductwork for exhausting to the outside.
- Do not use plastic or other combustible ductwork.
- Use the shortest length possible.
- Do not crush or collapse.
- Avoid resting the duct on sharp objects.
- **Venting must conform to local building codes.**

Correct Venting



Incorrect Venting





*Troubleshooting Tips*  
 Save time and money! Review the charts on the following pages, or visit [ge.com](http://ge.com). You may not need to call for service.

<b>Problem</b>	<b>Possible Causes</b>	<b>What To Do</b>
<b>Dryer doesn't start</b>	<b>Dryer is unplugged</b>	<ul style="list-style-type: none"> <li>• Make sure the dryer plug is pushed completely into the outlet.</li> </ul>
	<b>Fuse is blown/circuit breaker is tripped</b>	<ul style="list-style-type: none"> <li>• Check the house fuse/circuit breaker box and replace fuse or reset breaker. <b>NOTE:</b> Most electric dryers use two fuses/breakers.</li> </ul>
<b>Dryer doesn't heat</b>	<b>Fuse is blown/circuit breaker is tripped; the dryer may tumble but not heat</b>	<ul style="list-style-type: none"> <li>• Check the house fuse/circuit breaker box and replace both fuses or reset both breakers. Your dryer may tumble if only one fuse is blown or one breaker is tripped.</li> </ul>
	<b>Gas service is off</b>	<ul style="list-style-type: none"> <li>• Make sure gas shutoff at dryer and main shutoff are fully open.</li> </ul>
	<b>No heat temperature selected</b>	<ul style="list-style-type: none"> <li>• Select another heat setting.</li> </ul>
<b>Dryer shakes or makes noise</b>	<b>Some shaking/noise is normal. Dryer may be sitting unevenly</b>	<ul style="list-style-type: none"> <li>• Move dryer to an even floor space, or adjust leveling legs as necessary until even.</li> </ul>
<b>Greasy spots on clothes</b>	<b>Improper use of fabric softener</b>	<ul style="list-style-type: none"> <li>• Follow directions on fabric softener package.</li> </ul>
	<b>Drying dirty items with clean ones</b>	<ul style="list-style-type: none"> <li>• Use your dryer to dry only clean items. Dirty items can stain clean items and the dryer.</li> </ul>
	<b>Clothes were not completely clean</b>	<ul style="list-style-type: none"> <li>• Sometimes stains which cannot be seen when the clothes are wet <i>appear</i> after drying. Use proper washing procedures before drying.</li> </ul>
<b>Lint on clothes</b>	<b>Lint filter is full</b>	<ul style="list-style-type: none"> <li>• Clean lint screen before each load.</li> </ul>
	<b>Improper sorting</b>	<ul style="list-style-type: none"> <li>• Sort lint producers (like chenille) from lint collectors (like corduroy).</li> </ul>
	<b>Static electricity can attract lint</b>	<ul style="list-style-type: none"> <li>• See suggestions in this section under <b>STATIC</b>.</li> </ul>
	<b>Overloading</b>	<ul style="list-style-type: none"> <li>• Separate large loads into smaller ones.</li> </ul>
	<b>Paper, tissue, etc., left in pockets</b>	<ul style="list-style-type: none"> <li>• Empty all pockets before laundering clothes.</li> </ul>
<b>Static occurs</b>	<b>No fabric softener was used</b>	<ul style="list-style-type: none"> <li>• Try a fabric softener.</li> <li>• Bounce® Fabric Conditioner Dryer Sheets have been approved for use in all GE Dryers when used in accordance with the manufacturer's instructions.</li> </ul>
	<b>Overdrying</b>	<ul style="list-style-type: none"> <li>• Try a fabric softener.</li> <li>• Adjust setting to <b>LESS DRY</b> or <b>DAMP DRY</b>.</li> </ul>
	<b>Synthetics, permanent press and blends can cause static</b>	<ul style="list-style-type: none"> <li>• Try a fabric softener.</li> </ul>
<b>Inconsistent drying times</b>	<b>Type of heat</b>	<ul style="list-style-type: none"> <li>• Automatic drying times will vary according to the type of heat used (electric, natural or LP gas), size of load, types of fabrics, wetness of clothes and condition of exhaust ducts.</li> </ul>

## Before you call for service...



<i>Problem</i>	<i>Possible Causes</i>	<i>What To Do</i>
<i>Clothes take too long to dry</i>	<b>Improper sorting</b>	<ul style="list-style-type: none"> <li>Separate heavy items from lightweight items (generally, a well-sorted washer load is a well-sorted dryer load).</li> </ul>
	<b>Large loads of heavy fabrics (like beach towels)</b>	<ul style="list-style-type: none"> <li>Large, heavy fabrics contain more moisture and take longer to dry. Separate large, heavy fabrics into smaller loads to speed drying time.</li> </ul>
	<b>Controls improperly set</b>	<ul style="list-style-type: none"> <li>Match control settings to the load you are drying.</li> </ul>
	<b>Lint filter is full</b>	<ul style="list-style-type: none"> <li>Clean lint filter before every load.</li> </ul>
	<b>Improper or obstructed ducting</b>	<ul style="list-style-type: none"> <li>Check installation instructions for proper ducting/venting.</li> <li>Make sure ducting is clean, free of kinks and unobstructed.</li> <li>Check to see if outside wall damper operates easily.</li> <li>Check the Installation Instructions to make sure the dryer venting is correct.</li> </ul>
	<b>Blown fuses or tripped circuit breaker</b>	<ul style="list-style-type: none"> <li>Replace fuses or reset circuit breakers. Since most dryers use 2 fuses/breakers, make sure both are operating.</li> </ul>
	<b>Overloading/combining loads</b>	<ul style="list-style-type: none"> <li>Do not put more than one washer load in the dryer at a time.</li> </ul>
	<b>Underloading</b>	<ul style="list-style-type: none"> <li>If you are drying only one or two items, add a few items to ensure proper tumbling.</li> </ul>
<i>Clothes are wrinkled</i>	<b>Overdrying</b>	<ul style="list-style-type: none"> <li>Select a shorter drying time.</li> <li>Remove items while they still hold a slight amount of moisture. Select a <b>LESS DRY</b> or <b>DAMP DRY</b> setting.</li> </ul>
	<b>Letting items sit in dryer after cycle ends</b>	<ul style="list-style-type: none"> <li>Remove items when cycle ends and fold or hang immediately.</li> </ul>
	<b>Overloading</b>	<ul style="list-style-type: none"> <li>Separate large loads into smaller ones.</li> </ul>
<i>Clothes shrink</i>	<b>Some fabrics will naturally shrink when washed. Others can be safely washed, but will shrink in the dryer</b>	<ul style="list-style-type: none"> <li>To avoid shrinkage, follow garment care labels exactly.</li> <li>Some items may be pressed back into shape after drying.</li> <li>If you are concerned about shrinkage in a particular item, do not machine wash or tumble dry it.</li> </ul>

# GE Dryer Warranty.



All warranty support provided by our Factory Service Centers, or an authorized Customer Care® technician. To schedule service, on-line, 24 hours a day, visit us at **ge.com** or call **800.GE.CARES** (800.432.2737). Please have serial number and model number available when calling for service.

Staple your receipt here.  
Proof of the original purchase date is needed to obtain support under the warranty.

## For The Period Of: GE Will Replace:

### One Year

From the date of the original purchase

**Any part** of the dryer which fails due to a defect in materials or workmanship. During this **limited one-year warranty**, GE will also provide, **free of charge**, all labor and related service costs to replace the defective part.

### Second Year

From the date of the original purchase

**Any part** of the dryer which fails due to a defect in materials or workmanship. During this **additional one-year limited warranty**, you will be responsible for any labor or related service costs.

### Third through Fifth Year

From the date of the original purchase

**The extra large or super capacity dryer drum and main electronic control board** if any of these parts should fail due to a defect in materials or workmanship. During this **additional three-year limited warranty**, you will be responsible for any labor or related service costs.

## What GE Will Not Cover:

- Service trips to your home to teach you how to use the product.
- Improper installation, delivery or maintenance.
- Failure of the product if it is abused, misused, or used for other than the intended purpose or used commercially.
- Replacement of the light bulb.
- Replacement of house fuses or resetting of circuit breakers.
- Damage to the product caused by accident, fire, floods or acts of God.
- Incidental or consequential damage caused by possible defects with this appliance.
- Damage caused after delivery.
- Product not accessible to provide required service.

**EXCLUSION OF IMPLIED WARRANTIES—Your sole and exclusive remedy is product repair as provided in this Limited Warranty. Any implied warranties, including the implied warranties of merchantability or fitness for a particular purpose, are limited to one year or the shortest period allowed by law.**

This warranty is extended to the original purchaser and any succeeding owner for products purchased for home use within the USA. If the product is located in an area where service by a GE Authorized Servicer is not available, you may be responsible for a trip charge or you may be required to bring the product to an Authorized GE Service location for service. In Alaska, the warranty excludes the cost of shipping or service calls to your home.

Some states do not allow the exclusion or limitation of incidental or consequential damages. This warranty gives you specific legal rights, and you may also have other rights which vary from state to state. To know what your legal rights are, consult your local or state consumer affairs office or your state's Attorney General.

Warrantor: General Electric Company, Louisville, KY 40225

## Consumer Support.

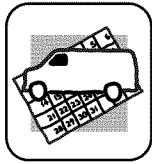
---



### GE Appliances Website

[ge.com](http://ge.com)

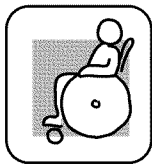
Have a question or need assistance with your appliance? Try the GE Appliances Website 24 hours a day, any day of the year! For greater convenience and faster service, you can now download Owner's Manuals, order parts or even schedule service on-line.



### Schedule Service

[ge.com](http://ge.com)

Expert GE repair service is only one step away from your door. Get on-line and schedule your service at your convenience 24 hours any day of the year! Or call 800.GE.CARES (800.432.2737) during normal business hours.



### Real Life Design Studio

[ge.com](http://ge.com)

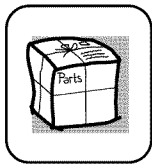
GE supports the Universal Design concept—products, services and environments that can be used by people of all ages, sizes and capabilities. We recognize the need to design for a wide range of physical and mental abilities and impairments. For details of GE's Universal Design applications, including kitchen design ideas for people with disabilities, check out our Website today. For the hearing impaired, please call 800.TDD.GEAC (800.833.4322).



### Extended Warranties

[ge.com](http://ge.com)

Purchase a GE extended warranty and learn about special discounts that are available while your warranty is still in effect. You can purchase it on-line anytime, or call 800.626.2224 during normal business hours. GE Consumer Home Services will still be there after your warranty expires.

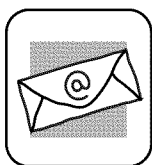


### Parts and Accessories

[ge.com](http://ge.com)

Individuals qualified to service their own appliances can have parts or accessories sent directly to their homes (VISA, MasterCard and Discover cards are accepted). Order on-line today, 24 hours every day or by phone at 800.626.2002 during normal business hours.

**Instructions contained in this manual cover procedures to be performed by any user. Other servicing generally should be referred to qualified service personnel. Caution must be exercised, since improper servicing may cause unsafe operation.**



### Contact Us

[ge.com](http://ge.com)

If you are not satisfied with the service you receive from GE, contact us on our Website with all the details including your phone number, or write to:  
General Manager, Customer Relations  
GE Appliances, Appliance Park  
Louisville, KY 40225



### Register Your Appliance

[ge.com](http://ge.com)

**Register your new appliance on-line—at your convenience!** Timely product registration will allow for enhanced communication and prompt service under the terms of your warranty, should the need arise. You may also mail in the pre-printed registration card included in the packing material.



# Profile Secadoras

**Instrucciones de seguridad** ..... 2-4

**Instrucciones de operación**  
Ajustes de control ..... 6, 8  
Cómo cambiar el sentido de apertura de la puerta ..... 10  
Cómo cargar y usar la secadora .11  
Funciones de la secadora ..... 9  
Paneles de control ..... 5, 7  
Ventilación de la secadora ..... 12

**Consejos para la solución de problemas** ..... 13, 14

**Soporte al consumidor**  
Garantía ..... 15  
Soporte al consumidor ..... 16

**Manual del propietario**

DPSE810  
DPSR610

*Escriba el número de modelo y de serie aquí:*

No. de modelo \_\_\_\_\_

No. de serie \_\_\_\_\_

Estos números se encuentran en una etiqueta en la parte delantera de la secadora, detrás de la puerta.



# INFORMACIÓN DE SEGURIDAD IMPORTANTE. LEA TODAS LAS INSTRUCCIONES ANTES DE USAR.

Seguridad

## ⚠ ¡ADVERTENCIA!

Por su seguridad, debe seguir las indicaciones de este manual para minimizar el riesgo de incendio o explosión, descarga eléctrica, o para evitar daños a la propiedad, lesiones personales, o muerte.

■ No almacene ni use gasolina u otros vapores y líquidos inflamables en las proximidades de este o cualquier otro electrodoméstico.

■ La instalación y el servicio lo deben llevar a cabo un instalador calificado, la agencia de servicio o el proveedor de gas.

## QUÉ HACER SI USTED HUELE GAS:

1 No intente encender un fósforo, o un cigarrillo, o encender cualquier electrodoméstico eléctrico o de gas.

2 No toque ningún interruptor eléctrico; no use ningún teléfono en el edificio.

3 Desocupe el habitación, edificio o área afectada.

4 Llame inmediatamente a su proveedor de gas usando el teléfono de algún vecino. Siga las instrucciones del proveedor de gas cuidadosamente.

5 Si usted no puede ponerse en contacto con su proveedor de gas, llame al departamento de bomberos.

### Decreto para hacer cumplir las leyes sobre tóxicos y agua potable de California

Este decreto requiere que el Gobernador de California publique una lista de las sustancias que el estado sabe que causan cáncer, defectos de nacimiento y otros daños reproductivos y requiere que los comerciantes le adviertan a sus consumidores sobre el potencial de exposición a tales sustancias.

Los electrodomésticos de gas pueden causar la exposición a cuatro de estas sustancias, concretamente benceno, monóxido de carbono, formaldehído y hollín, principalmente causados por la combustión incompleta del gas natural o de combustibles LP.

Cuando las secadoras están ajustadas apropiadamente, se minimiza la combustión incompleta. La exposición a estas sustancias puede minimizarse aún más ventilando apropiadamente la secadora hacia el exterior.

Operación

Solucionar problemas

## INSTALACIÓN APROPIADA



Antes de usarse, la secadora se debe instalar apropiadamente de acuerdo con las Instrucciones de instalación. Si no recibió una Hoja de instrucciones de instalación, puede obtener una visitando [ge.com](http://ge.com) o llamando al **800.GE.CARES** (800.432.2737).

- Conecte la secadora a tierra de manera apropiada que cumpla con todos los códigos y ordenanzas reguladoras. Siga con cuidado las Instrucciones de instalación.
- Instálela o almacénela donde no esté expuesta a temperaturas por debajo del punto de congelación o expuesta a la intemperie.
- Conecte a un tomacorriente del tamaño y del calibre apropiados para evitar una sobrecarga eléctrica.
- Remueva todos los objetos de empaquetado y deshágase apropiadamente de todos los materiales de envío.

### Escape/Ductos:

- 1 Todas secadoras **DEBEN** tener un escape hacia el exterior.
- 2 Solamente use ductos de metal rígido de 4" de diámetro dentro de la secadora. Solamente use ductos de metal rígido o flexible de 4" de diámetro para escape hacia el exterior. **EL USO DE DUCTOS PLÁSTICOS U OTROS DUCTOS DE MATERIALES COMBUSTIBLES PODRÍA CAUSAR UN INCENDIO. LOS DUCTOS PERFORADOS PODRÍAN CAUSAR UN INCENDIO SI COLAPSAN O SI OCURRE ALGUNA OBSTRUCCIÓN DURANTE EL USO O DURANTE LA INSTALACIÓN.**

Para los detalles completos, siga las Instrucciones de instalación.

Soporte al consumidor



## SU ÁREA DE SECADO

- Mantenga el área debajo y alrededor de sus electrodomésticos libre de materiales combustibles (pelusas, papel, trapos, etc.), gasolina, productos químicos y otros líquidos y vapores inflamables.
- Mantenga el piso alrededor de sus electrodomésticos limpios y secos para reducir la posibilidad de un accidente.
- Supervise a los niños en caso de que ellos usen la secadora o jueguen cerca de ella durante su operación. No permita que los niños jueguen con la secadora, en su interior, sobre ella o ningún otro electrodoméstico.
- Mantenga todos los artículos de limpieza (tales como detergentes y blanqueadores) fuera del alcance de los niños, preferiblemente encerrados en un gabinete. Ponga atención a las advertencias en las etiquetas de los envases para evitar accidentes.
- Nunca trepe ni se ponga de pie sobre la parte superior de la secadora.

## ⚠ ¡ADVERTENCIA!



## CUANDO USE SU SECADORA

- Nunca introduzca sus manos en el interior de la secadora mientras el tambor giratorio esté moviéndose. Antes de agregar y sacar ropa, espere hasta que el tambor giratorio se haya detenido.
- Limpie el filtro de pelusa antes de cada carga para evitar la acumulación de pelusa en el interior de la secadora o en la habitación. **NO OPERE LA SECADORA SIN EL FILTRO DE PELUSA EN SU LUGAR.**
- No lave ni seque artículos que se hayan limpiado, lavado, remojado o salpicado con sustancias combustibles o explosivas (tales como cera, aceite, pintura, gasolina, desengrasadores, solventes de tintorería, kerosene). Estas sustancias producen vapores que podrían incendiarse o explotar. No agregue estas sustancias al agua de lavado. No use ni coloque estas sustancias alrededor de la lavadora o secadora durante su uso.
- No coloque artículos expuestos a aceite de cocinar en la secadora. Los artículos contaminados con aceites de cocinar podrían contribuir a formar una reacción química que podría causar que una carga de ropas se incendie.
- Cualquier artículo sobre el cual usted usó un solvente de limpieza o que contenga materiales inflamables (tales como paños de limpieza, trapeadores, toallas usadas en salones de belleza, restaurantes o barberías) no se deben colocar en el interior o en las proximidades de la secadora. Existen muchos artículos inflamables en el hogar tales como la acetona, el alcohol, la gasolina, el kerosene, algunos limpiadores, algunos quitamanchas, aguarrás, trementina, ceras, removedores de cera y productos que contengan derivados del petróleo.
- El proceso de lavado puede reducir la habilidad de retardar la inflamabilidad de algunas telas. Para evitar tal resultado, siga las instrucciones del fabricante de las telas con mucho cuidado.
- No seque artículos que contengan goma, plástico, espuma o materiales similares tales como sostenes (brasieres) con relleno, zapatos deportivos, ganchos de goma, alfombras de baño, baberos de niño, pantalones de niño, bolsas plásticas y almohadas que se puedan derretir o quemar. Algunos materiales gomosos, cuando se calientan, bajo ciertas circunstancias podrían incendiarse por combustión espontánea.
- Durante su operación, no almacene encima de la secadora plásticos, papel o ropa que se puedan quemar o derretir.
- Las prendas de vestir etiquetadas "Dry away from heat" (Secar alejadas del calor) o "Do not tumble dry" (No secar por giro)—tales como chaquetas salvavidas que contienen capoc—no se deben colocar en su secadora.
- No seque artículos de fibra de vidrio en su secadora. Esto podría ocasionar irritación en la piel debido a las partículas restantes que se podrían adherir a la ropa durante usos subsecuentes de la secadora.
- Para minimizar la posibilidad de una descarga eléctrica, desconecte éste electrodoméstico de su tomacorriente o desconecte la secadora del panel de distribución eléctrica del edificio removiendo el fusible o desconectando el circuito antes de dar cualquier tipo de mantenimiento o limpieza (con la excepción de remover y limpiar el filtro de la pelusa). **NOTA:** Girar la perilla selectora de ciclos a la posición OFF (apagado) o presionar PAUSE **NO** desconecta el electrodoméstico del tomacorriente. 3

# INFORMACIÓN DE SEGURIDAD IMPORTANTE. LEA TODAS LAS INSTRUCCIONES ANTES DE USAR.

Seguridad

## ⚠ ¡ADVERTENCIA!



### CUANDO USE SU SECADORA (cont.)

- Nunca intente operar éste electrodoméstico si está dañado, si no funciona bien, si está parcialmente desarmado, o si le faltan partes o éstas están rotas, incluyendo daños al cable eléctrico.
- El interior de la máquina y la conexión del tubo de escape en el interior de la secadora se deben limpiar por lo menos una vez al año por parte de un técnico calificado. Ver la sección *Cómo cargar y usar la secadora*.
- Si su secadora es de gas, ésta está equipada con un encendido eléctrico automático y no necesita una luz piloto. **NO INTENTE ENCENDERLA CON UN FÓSFORO.** Podrían resultar quemaduras por tener su mano en las cercanías del quemador cuando el encendido eléctrico automático comience.
- Es posible que usted desee suavizar su ropa o reducir la electricidad estática en ella usando una toalla suavizante para secadora o un acondicionador antiestático. Recomendamos que usted use un suavizante de telas en el ciclo de lavado, de acuerdo con las instrucciones del fabricante para estos productos, o trate un producto en el que el fabricante le proporcione una garantía escrita en el paquete especificando que es seguro para usar en las secadoras. Los problemas de servicio o de rendimiento causados por estos productos son responsabilidad de los fabricantes de estos productos y no están cubiertos por la garantía de éste electrodoméstico.

Operación



### CUANDO NO SE ENCUENTRE USANDO SU SECADORA

- Cuando desconecte éste electrodoméstico, agarre el enchufe firmemente para evitar daños al cable eléctrico mientras lo hale. Coloque el cable eléctrico en un lugar alejado de las áreas de tráfico para que nadie lo pise, tropiece o lo pueda dañar.
- No intente hacer reparaciones o reemplazar ninguna parte de éste electrodoméstico ni intente llevar a cabo ningún tipo de servicio a no ser que lo recomiende el Manual del propietario o instrucciones publicadas que usted entienda y tenga la habilidad de llevar a cabo.
- Antes de desechar una secadora o de removerla para darle servicio, remueva la puerta de la secadora para evitar que algún niño se esconda en su interior.
- No intente alterar los controles.

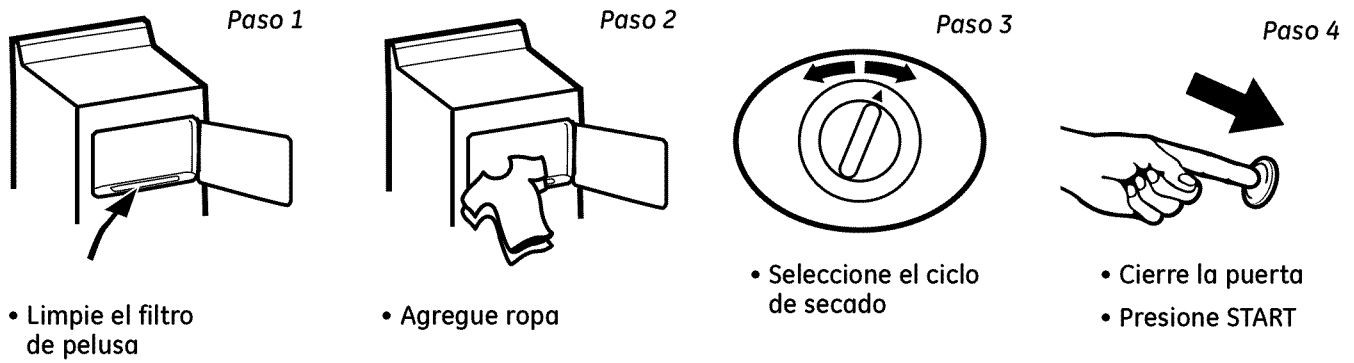
Solucionar problemas



LEA Y SIGA ESTA INFORMACIÓN  
DE SEGURIDAD CUIDADOSAMENTE.

**CONSERVE ESTAS INSTRUCCIONES**

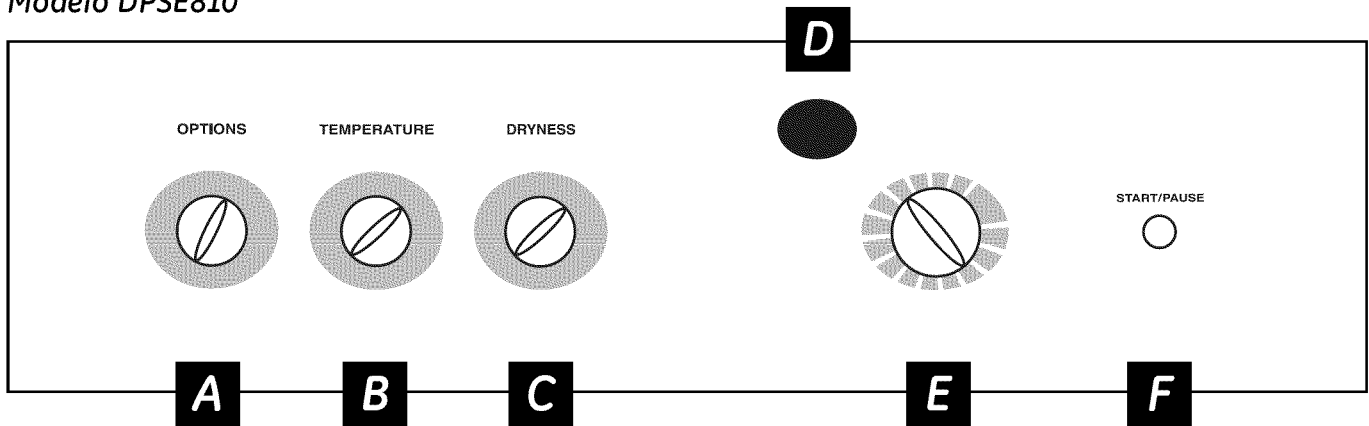
Soporte al consumidor



## Guía rápida

**NOTA:** Al hacer una selección con cualquier perilla, simplemente apúntela a cualquier sitio dentro del área sombreada para esa selección.

### Modelo DPSE810



## Ajustes de control.

### A Señal de fin del ciclo

Esta señal sonará justo antes de la finalización del ciclo para recordarle retirar la ropa.

Si elige la opción **EXTENDED TUMBLE (GIRO PROLONGADO)**, la señal sonará al final del plazo de secado y sonará varias veces durante el ciclo **EXTENDED TUMBLE**. La señal le recordará que es momento de retirar la ropa.

#### NOTA:

- Retire todas las prendas inmediatamente al sonido de la señal. Coloque la ropa en colgadores de modo que no se produzcan arrugas.
- Utilice **END OF CYCLE SIGNAL (SEÑAL DE FINALIZACIÓN DE CICLO)** especialmente cuando seque telas de poliéster y de planchado permanente. Se deberán retirar las prendas fabricadas con este tipo de telas para evitar las arrugas.

### Giro prolongado

Use esta opción para minimizar las arrugas en la ropa. Proporciona aproximadamente 1 hora de giro sin calor después la ropa está seca.

Si está utilizando **CYCLE SIGNAL (SEÑAL DE CICLO)** y selecciona la opción **EXTENDED TUMBLE**, sonará una señal al final del plazo de secado y varias veces durante el ciclo **EXTENDED TUMBLE**. Este le recordará que es momento de retirar la ropa.

## Ajustes de control.

### B Temperatura

HIGH (ALTA)	Para algodones normales a pesados.
MEDIUM (MEDIA)	Para telas sintéticas, combinadas, delicadas y artículos etiquetados como <i>permanent press</i> (planchado permanente).
LOW (BAJA)	Para telas delicadas, sintéticas y artículos etiquetados como <i>tumble dry low</i> (secado con giro lento).
EXTRA LOW (EXTRA BAJA)	Para telas delicadas, sintéticas y artículos etiquetados como <i>tumble dry low</i> (secado con giro lento).
NO HEAT (SIN CALOR)	Para <i>esponjar</i> artículos sin calor. Para utilizar únicamente con los ciclos <b>TIMED DRY (SECADO CRONOMETRADO)</b> .

### C Sequedad—Esta opción se utiliza únicamente para ciclo de **SENSOR**. Los ciclos cronometrados funcionan por el plazo seleccionado a las temperaturas seleccionadas.

MORE DRY (MÁS SECO)	Usar en telas pesadas.
DRY (SECO)	Usar para obtener un nivel de sequedad adecuado para la mayoría de las cargas. Este es el ciclo de preferencia para ahorro de energía.
LESS DRY (MENOS SECO)	Usar en telas más finas.
DAMP (HÚMEDO)	Para dejar los artículos parcialmente húmedos.

### D Indicador de tiempo restante estimado

- Muestra el tiempo restante **aproximado** hasta el fin del ciclo.
- Si el tiempo restante estimado es 60 minutos o más, "1H" destellará en el indicador, seguido de los minutos restantes estimados. Cuando el tiempo restante es <60 minutos, el cronómetro iniciará la cuenta regresiva.

### E Ciclos de secado—Los ciclos de sensor determinan automáticamente la sequedad de las telas. Los ciclos cronometrados funcionan por el plazo seleccionado.

COTTONS (ALGODONES)	Para prendas de algodón y la mayoría de la ropa blanca.
EASY CARE (CUIDADO FÁCIL)	Para artículos "libres de arrugas", planchado permanente y artículos delicados, y tejidos.
DELICATES (DELICADAS)	Para artículos delicados, telas de "cuidado especial" y tejidos.
MIXED LOAD (CARGA MIXTA)	Para cargas que consisten de algodones y mezclas variadas.
TIMED DRY (SECADO CRONOMETRADO)	Ajuste el Selector de ciclo en el plazo de secado deseado.
DAMP DRY (SECADO HÚMEDO)	Para dejar los artículos parcialmente húmedos.
DEWRINKLE (ELIMINACIÓN DE ARRUGAS)	Para eliminar las arrugas de prendas que están limpias y secas o que están casi secas.
QUICK FLUFF (ESPONJADO RÁPIDO)	Para refrescar o esponjar las prendas ya secas, telas, ropas blancas y almohadas. Use con <b>NO HEAT</b> . Proporciona 10 minutos de giro <b>sin calor</b> .
DRYEL	Diseñado para usar con el sistema de cuidado de telas tipo "solo lavado en seco" DRYEL®. Vea el embalaje del producto para obtener mayores instrucciones. En caso de tener preguntas o cuestiones relacionadas al uso y desempeño de DRYEL, llame al 1.800.214.8913, o visite el sitio Web de DRYEL en <a href="http://www.dryel.com">www.dryel.com</a> .

#### ANTI-BACTERIAL



Norma P154 de NSF.  
Rendimiento de desinfección  
de secadoras de ropa  
para uso residencial

Esta opción reduce el 99,9% de ciertos tipos de bacterias, incluyendo: *Staphylococcus aureus*, *Pseudomonas aeruginosa* y *Klebsiella pneumoniae*.\* El proceso anti-bacterial ocurre cuando se usa calor elevado durante una porción del ciclo de secado.

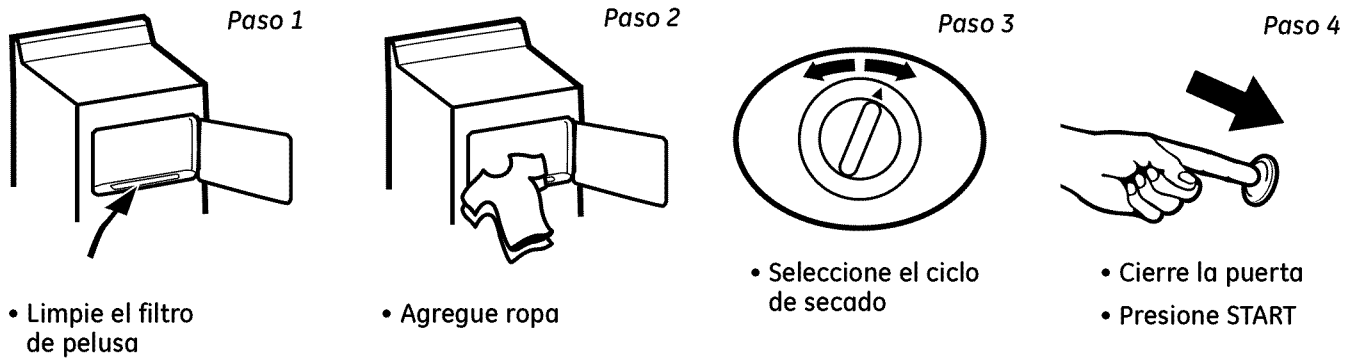
**NOTA:** No use este ciclo en telas delicadas.

\*El ciclo anti-bacterial ha sido certificado por NSF International (antiguamente National Sanitation Foundation) de acuerdo con la Norma P154, rendimiento de desinfección de las secadoras de ropa para uso residencial.

KNITS (TEJIDOS)	Para tejidos que muestran la etiqueta que indica "Machine Dry" ("Seque a máquina").
TOWELS (TOALLAS)	Para la mayoría de las toallas y ropa blanca.

### F START (ENCENDIDO)—Cierre la puerta de la secadora. Presione **START**. Abrir la puerta durante el funcionamiento detendrá la secadora. Para reiniciarla, cierre la puerta y presione **START** para completar el ciclo. Si la secadora se encuentra funcionando, presione una vez para pausar el ciclo y vuelva a presionar para continuar con el mismo. Si se pausa la secadora por más de 24 horas, se cancelará el ciclo. Para detener el ciclo, presione el botón por 3 segundos.

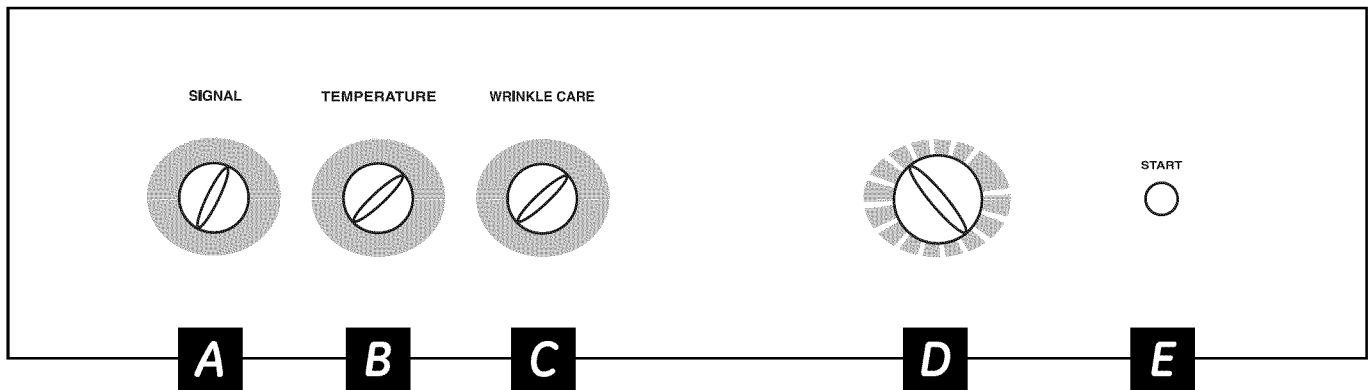
**NOTA:** Los tiempos de secado dependerán del tipo de calor utilizado (eléctrico, gas natural o LP), volumen de la carga, tipos de telas, humedad de la ropa y la condición de los conductos de escape.



## Guía rápida

**NOTA:** Al hacer una selección con cualquier perilla, simplemente apúntela a cualquier sitio dentro del área sombreada para esa selección.

### Modelo DPSR610



## Ajustes de control.

### **A** Señal de fin del ciclo

Esta señal sonará justo antes de la finalización del ciclo para recordarle retirar la ropa.

**NOTA:**

- Retire todas las prendas inmediatamente al sonido de la señal. Coloque la ropa en colgadores de modo que no se produzcan arrugas.
- Utilice **END OF CYCLE SIGNAL (SEÑAL DE FINALIZACIÓN DE CICLO)** especialmente cuando seque telas de poliéster y de planchado permanente. Se deberán retirar las prendas fabricadas con este tipo de telas para evitar las arrugas.

## Ajustes de control.

**IMPORTANTE:** Limpie el filtro de pelusa antes de cada uso de la secadora.

### B Temperatura

**HIGH HEAT (CALOR ALTO)** Para algodones normales a pesados.

**MEDIUM HEAT (CALOR MEDIO)** Para telas sintéticas, combinadas, delicadas y artículos etiquetados como *permanent press* (planchado permanente).

**NO HEAT (SIN CALOR)** Para esponjar artículos sin calor. Para utilizar únicamente con los ciclos **TIMED DRY (SECADO CRONOMETRADO)**.

**LOW HEAT (CALOR BAJO)** Para telas delicadas, sintéticas y artículos etiquetados como *tumble dry low* (secado con giro lento).

### C Wrinkle Care (Cuidado para minimizar arrugas)

Use esta opción para minimizar las arrugas en la ropa. Proporciona aproximadamente 15 minutos de giro sin calor después que la ropa está seca.

Se puede utilizar esta opción con los ciclos **COTTONS (ALGODONES)**, **EASY CARE (CUIDADO FÁCIL)** y **DELICATES (DELICADAS)**. Si está utilizando **CYCLE SIGNAL (SEÑAL DE CICLO)** y selecciona la opción **WRINKLE CARE (CUIDADO PARA MINIMIZAR ARRUGAS)**, sonará una señal al final del ciclo de secado y varias veces durante el ciclo **WRINKLE CARE**. Esto le recordará que es momento de retirar la ropa.

Si la opción **WRINKLE CARE** no está **ENCENDIDA**, la secadora se detendrá una vez que el cronómetro llegue a la marca **WRINKLE CARE** en el dial de ciclos.

### D Ciclos de secado—

Los ciclos automáticos determinan automáticamente la sequedad de las telas. Seleccione **LESS DRY (MENOS SECO)** si desea que sus prendas se encuentren levemente húmedas al final del ciclo de secado. Seleccione **MORE DRY (MÁS SECO)** si desea que se sientan más secas. Los ciclos cronometrados funcionarán por el tiempo seleccionado.

**COTTONS (ALGODONES)** Para prendas de algodón y la mayoría de la ropa blanca. Para la mayoría de las cargas, seleccione **OPTIMUM DRY (SECO ÓPTIMO)**.

**EASY CARE (CUIDADO FÁCIL)** Para artículos "libres de arrugas", planchado permanente y artículos delicados, y tejidos.

**DELICATES (DELICADAS)** Para artículos delicados, telas de "cuidado especial" y tejidos.

**TIMED DRY (SECADO CRONOMETRADO)** Ajuste el Selector de ciclo en el plazo de secado deseado.

**DAMP DRY (SECADO HÚMEDO)** Para dejar los artículos parcialmente húmedos.

**DEWRINKLE (ELIMINACIÓN DE ARRUGAS)** Para eliminar las arrugas de prendas que están limpias y secas o que están casi secas.

**QUICK FLUFF (ESPONJADO RÁPIDO)** Para refrescar o esponjar las prendas ya secas, telas, ropas blancas y almohadas. Use con **NO HEAT**. Proporciona 10 minutos de giro **sin calor**.

### E START (ENCENDIDO)—

Cierre la puerta de la secadora. Presione **START**. Abrir la puerta durante el funcionamiento detendrá la secadora. Para reiniciarla, cierre la puerta y presione **START** para completar el ciclo.

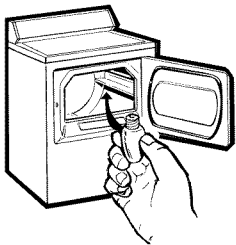
**NOTA:** Los tiempos de secado dependerán del tipo de calor utilizado (eléctrico, gas natural o LP), volumen de la carga, tipos de telas, humedad de la ropa y la condición de los conductos de escape.

## Ciclo de sensor de sequedad

### Ciclo de sensor de sequedad (en algunos modelos)

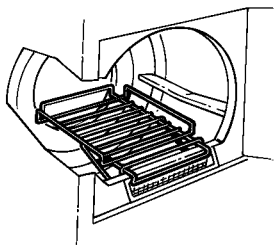
Esta característica se activa únicamente en los ciclos **COTTONS (ALGODONES)**, **EASY CARE (CUIDADO FÁCIL)** y **DELICATES (DELICADAS)**.

El **Sensor de sequedad** brinda mayor exactitud de secado que las unidades convencionales, permitiendo menores plazos de secado y mejor mantenimiento de las prendas. Mientras giran las prendas, entran en contacto con un sensor de humedad. El sensor detendrá el ciclo de calentamiento tan pronto como se hayan alcanzado la sequedad seleccionada.



### La bombilla del tambor giratorio

Antes de reemplazar la bombilla, asegúrese de desconectar la secadora del tomacorriente o de desconectar la secadora del panel de distribución de su casa removiendo el fusible o interrumpiendo el circuito eléctrico. Alcance por encima de la abertura de la puerta de la secadora dentro del tambor. Quite la bombilla y reemplace con una bombilla del mismo tamaño.



### La rejilla de secado (en algunos modelos)

La rejilla de secado se puede usar para secar artículos delicados tales como suéteres lavables.

Enganche la rejilla sobre el filtro de la pelusa de forma tal que la rejilla se extienda en el tambor giratorio de la secadora.

#### NOTA:

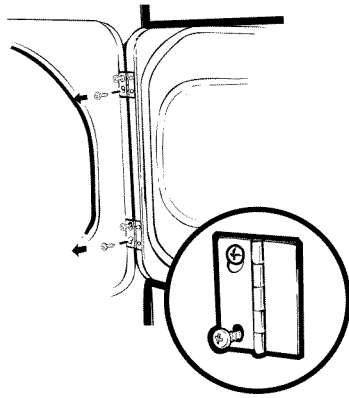
- La rejilla de secado se debe usar con el **CICLO DE SECADO CRONOMETRADO**.
- No use esta rejilla cuando esté secando otra ropa en la secadora.

### El tambor giratorio de acero inoxidable (en algunos modelos)

El acero inoxidable usado para construir el tambor giratorio de la secadora proporciona la alta confiabilidad en una secadora GE. Si el tambor giratorio de la secadora llegara a rayarse o a abollarse durante el uso normal,

el tambor no se oxidará ni se corroerá. Estas marcas en la superficie no afectarán el funcionamiento o la durabilidad del tambor giratorio.

# Cómo cambiar el sentido de apertura de la puerta.

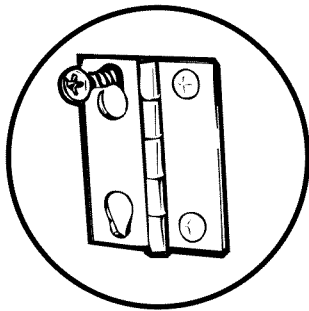


## Cambiar el sentido de apertura de la puerta

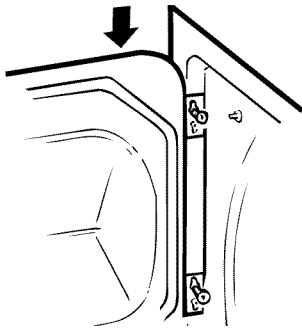
Herramientas que se necesitarán:

- Destornillador de estrella #2
- Espátula con cinta en la punta

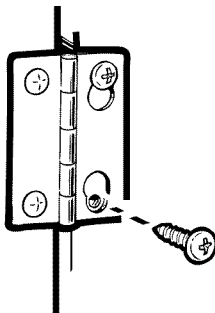
**1** Abra la puerta y remueva los tapones del lado opuesto a las bisagras. Con la puerta completamente abierta, remueva el tornillo inferior de cada bisagra en la cara de la secadora. Inserte los tornillos hasta la mitad en los agujeros **SUPERIORES**, para cada bisagra, en el lado opuesto (de donde usted removi6 los tapones). Aplique presión firme para que los tornillos abran el agujero donde se introducirán.



**2** Afloje hasta la mitad el tornillo superior de cada bisagra de la cara de la secadora. Con una mano sosteniendo la parte superior de la puerta y con la otra mano sosteniendo la parte inferior, remueva la puerta de la secadora **LEVANTÁNDOLA** y **HALÁNDOLA**.



**3** Rote la puerta 180°. Inserte la puerta en el lado opuesto de la apertura poniendo la puerta hacia **ADENTRO** y hacia **ABAJO** hasta que la bisagra superior y la inferior estén sobre los tornillos superiores insertados en el paso 1.



**4** Remueva los tornillos restantes del lado de la apertura del que la puerta se removi6. Con estos tornillos, asegure las bisagras en la parte inferior. Apriete los dos tornillos superiores de cada bisagra. Reinserte los tapones en el lado de donde la puerta se removi6.

Siempre siga las instrucciones del fabricante de la ropa cuando lave.



## Ideas para la clasificación y carga de la ropa

Como regla general, si la ropa es clasificada apropiadamente para la lavadora, estará clasificada apropiadamente para la secadora.

No agregue toallitas suavizantes una vez la ropa se haya calentado. Esto podría causar que la ropa se manche. Las toallitas suavizantes acondicionadoras Bounce® se han aprobado para usarse con todas las secadoras GE de acuerdo con las instrucciones del fabricante.

**No sobrecargue.** Esto desperdicia energía y causa arrugas.

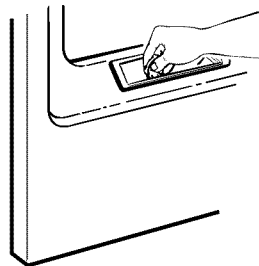
**No seque los siguientes artículos:** artículos de fibra de vidrio, prendas de lana que no sean lavables, artículos con recubrimientos de goma, plásticos, artículos con bordes plásticos o rellenos de espuma.



## Cuidado y limpieza de la secadora

**El exterior:** Pásele un trapo y elimine el polvo o cualquier derrame de productos de lavandería con un trapo húmedo. Los productos de tratamiento para quitar mugre y manchas podrían dañar el panel de control de la secadora y afectar su apariencia. Aplique estos productos a cierta distancia de la secadora. Luego las telas podrán lavarse y secarse normalmente. Los daños causados a la secadora por estos productos no están cubiertos bajo su garantía.

**El filtro de pelusa:** Limpie el filtro de pelusa antes de cada uso. Humedézcase los dedos y alcance dentro de la apertura del filtro. Pase sus dedos a través del filtro. Pida a un técnico de servicio calificado que aspire la pelusa de la secadora una vez al año.



**El acero inoxidable:** Para limpiar las superficies de acero inoxidable, use un trapo húmedo con un limpiador suave, no abrasivo apropiado para superficies de acero inoxidable. Remueva el residuo del limpiador y luego seque con un trapo limpio.

**El ducto de escape:** Inspeccione y limpie el ducto de escape por lo menos una vez al año para evitar las obstrucciones. Un escape parcialmente taponado puede prolongar el plazo de secado.

**Siga estos pasos:**

- 1 Apague el suministro eléctrico desconectando el enchufe de la pared.
- 2 Desconecte el conducto de la secadora.
- 3 Aspire el conducto con la conexión de manguera y vuelva a conectarlo.

**La salida de escape:** Inspeccione del exterior que las aletas de la salida de escape se mueven libremente durante la operación. Asegúrese de que ningún animal (pájaros, insectos, etc.) haya hecho su nido en el interior del conducto o en la salida de escape.



## Las etiquetas del cuidado de la tela

Aquí puede ver "símbolos" de etiquetas para indicar el cuidado de las telas.

### ETIQUETAS DE LAVADO

**Ciclo de lavado en máquina**

Normal	Planchado permanente/ resistente a arrugas	Suave/ delicado	Lavar a mano	No lave	No escurra

**Temperatura del agua**

Caliente (130°F/54°C)	Tibia (110°F/43°C)	Fría/fresca (80°F/27°C)

### ETIQUETAS DE LA LEJÍA

**Símbolos de blanqueador**

Cualquier blanqueador (cuando se necesita)	Solo blanqueador sin cloro (cuando se necesita)	No use blanqueador

### ETIQUETAS DE SECADO

**Tumble dry / Secado con giro**

Dry / Seco	Normal	Permanent Press resistente a arrugas	Gentil/ delicado	Do not tumble dry / No use secado con giro	Do not dry (used with do not wash) / No lavar

**Heat setting / Temperatura de secado**

High / Alto	Medium / Mediana	Low / Baja	No heat / Sin calor / Con aire

**Special instructions / Instrucciones especiales**

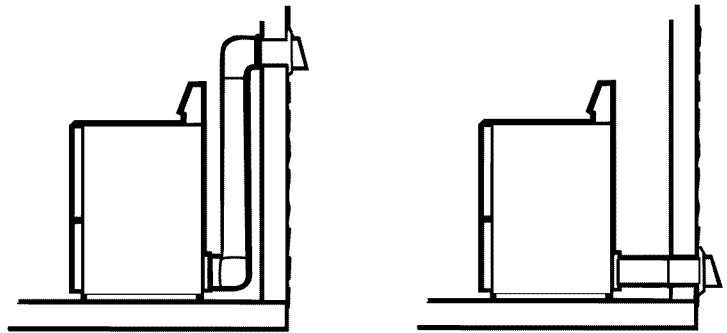
Line dry / hang to dry / Cuelgue para secar	Ropa que no se arruga	Dry flat / Extendido	In the shade / En la sombra

## Ventilación de la secadora.

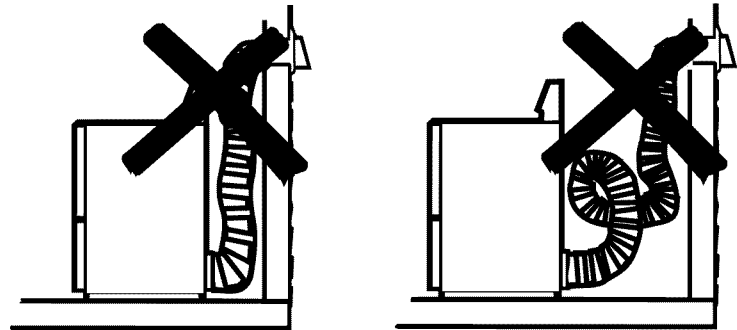
Para obtener el mejor desempeño, la secadora debe estar ventilada adecuadamente. **La secadora utilizará más energía y funcionará más tiempo si no se ventila siguiendo las especificaciones indicadas más abajo. Siga cuidadosamente los detalles en la sección de Escape en las Instrucciones de instalación.**

- Solamente use ductos de metal rígido de 4" de diámetro dentro de la secadora. Solamente use ductos de metal rígido o flexible de 4" de diámetro para escape hacia el exterior.
- No use ductos plásticos u otros ductos de materiales combustibles.
- Use la longitud más corta posible.
- No aplaste ni pliegue.
- Evite descansar el conducto sobre objetos filosos.
- **La ventilación debe cumplir con los códigos de construcción locales.**

Ventilación  
correcta



Ventilación  
incorrecta





Consejos para la solución de problemas  
¡Ahorre tiempo y dinero! Consulte primero las tablas de las páginas siguientes o visite **ge.com** y quizás no necesite llamar al servicio.

Problema	Posible causa	Qué hacer
La secadora no funciona	La secadora está desenchufada	<ul style="list-style-type: none"> <li>Asegúrese de que el enchufe esté completamente colocado en el tomacorriente.</li> </ul>
	Fusible quemado/disyuntor desconectado	<ul style="list-style-type: none"> <li>Revise la caja de fusibles/disyuntores y reemplace el fusible o reconecte el disyuntor. <b>NOTA:</b> La mayoría de las secadoras eléctricas usan dos fusibles/disyuntores.</li> </ul>
La secadora no calienta	Fusible quemado/disyuntor desconectado; es posible que la secadora gire sin calentar	<ul style="list-style-type: none"> <li>Revise la caja de fusibles/disyuntores y reemplace ambos fusibles y reconecte ambos disyuntores. Es posible que la secadora gire si únicamente un fusible se ha quemado o un solo disyuntor ha saltado.</li> </ul>
	Se ha cortado el suministro de gas	<ul style="list-style-type: none"> <li>Asegúrese que la válvula de cierre en la secadora y la válvula maestra está completamente abierta.</li> </ul>
	No se ha seleccionado la temperatura	<ul style="list-style-type: none"> <li>Seleccione otro nivel de calor.</li> </ul>
La secadora tiembla o produce ruido	Un poco de temblor/ruido es normal. La secadora podría estar disnivelada	<ul style="list-style-type: none"> <li>Coloque la secadora en un lugar con piso nivelado, o ajuste las patas niveladoras según sea necesario hasta que esté nivelada.</li> </ul>
Manchas de grasa en la ropa	Uso inapropiado de suavizador de telas	<ul style="list-style-type: none"> <li>Siga las direcciones en el envase del suavizador de telas.</li> </ul>
	Secado de artículos sucios con limpios	<ul style="list-style-type: none"> <li>Utilice su secadora para secar únicamente artículos limpios. Los artículos sucios pueden manchar los artículos limpios y la secadora.</li> </ul>
	Las prendas no están completamente limpias	<ul style="list-style-type: none"> <li>Algunas manchas que no se pueden ver cuando las prendas están mojadas <i>aparecen</i> después del secado. Utilice procedimientos apropiados de lavado antes del secado.</li> </ul>
Pelusa en las prendas	El filtro de pelusa está lleno	<ul style="list-style-type: none"> <li>Limpie el filtro antes de cada carga.</li> </ul>
	Clasificación incorrecta	<ul style="list-style-type: none"> <li>Clasifique las prendas que producen pelusa (como felpilla) de las prendas que juntan pelusa (como la pana).</li> </ul>
	La electricidad estática puede atraer pelusa	<ul style="list-style-type: none"> <li>Consulte las sugerencias en esta sección bajo <b>ESTÁTICA</b>.</li> </ul>
	Sobrecarga	<ul style="list-style-type: none"> <li>Separe las cargas más grandes en menor tamaño.</li> </ul>
	Papel, servilletas, etc., quedan dentro de los bolsillos de la ropa	<ul style="list-style-type: none"> <li>Vacíe todos los bolsillos antes de lavar la ropa.</li> </ul>
Ocurre estática	No se utilizó ningún tipo de suavizador de telas	<ul style="list-style-type: none"> <li>Intente utilizar un suavizador de telas.</li> <li>Bounce® Fabric Conditioner Dryer Sheets ha sido aprobado para ser usado con todas las Secadoras GE y cuando se usen de acuerdo con las instrucciones del fabricante.</li> </ul>
	Sobresecado	<ul style="list-style-type: none"> <li>Intente utilizar un suavizador de telas.</li> <li>Programa el ajuste a <b>LESS DRY (MENOS SECO)</b> o <b>DAMP DRY (SECADO HÚMEDO)</b>.</li> </ul>
	Artículos sintéticos, planchado permanente y combinaciones pueden causar estática	<ul style="list-style-type: none"> <li>Intente utilizar un suavizador de telas.</li> </ul>
Plazos de secado inconsistentes	Tipo de calor	<ul style="list-style-type: none"> <li>Los plazos de secado automático pueden variar según el tipo de calor utilizado (eléctrico, gas natural o LP), tamaño de la carga, tipos de telas, humedad de la ropa y la condición de los conductos de escape.</li> </ul>

## Antes de llamar para solicitar servicio...



Seguridad

Operación

Solucionar problemas

Soporte al consumidor

Problema	Posible causa	Qué hacer
Secar las prendas toma demasiado tiempo	Clasificación incorrecta	<ul style="list-style-type: none"> <li>• Separe las prendas pesadas de las livianas (generalmente una carga de lavado bien clasificada es una carga de secado bien clasificada).</li> </ul>
	Cargas grandes de telas pesadas (como toallas de playa)	<ul style="list-style-type: none"> <li>• Las telas grandes y pesadas contienen más humedad y toman más tiempo para secar. Separe las telas grandes y pesadas en cargas de menor tamaño para agilizar el plazo de secado.</li> </ul>
	Los controles no están programados correctamente	<ul style="list-style-type: none"> <li>• Corresponde los ajustes de control a la carga que está secando.</li> </ul>
	El filtro de pelusa está lleno	<ul style="list-style-type: none"> <li>• Limpie el filtro de pelusa antes de cada carga.</li> </ul>
	Conductos inadecuados u obstruidos	<ul style="list-style-type: none"> <li>• Revise las instrucciones de instalación para sistemas de conductos/ventilación correctos.</li> <li>• Asegúrese de que los conductos estén limpios, libres de puntos de agarre y no estén obstruidos.</li> <li>• Revise observando que el regulador de pared exterior esté funcionando con facilidad.</li> <li>• Revise las Instrucciones de instalación para asegurar que el sistema de ventilación de la secadora es correcto.</li> </ul>
	Fusibles quemados/disyuntor desconectado	<ul style="list-style-type: none"> <li>• Reemplace los fusibles o reconecte los disyuntores. Ya que la mayoría de las secadoras utilizan 2 fusibles/disyuntores, asegúrese de que ambos funcionen.</li> </ul>
	Sobrecarga/combinación de cargas	<ul style="list-style-type: none"> <li>• No coloque más de una carga de la lavadora en la secadora al mismo tiempo.</li> </ul>
Las prendas están arrugadas	Poca cantidad de carga	<ul style="list-style-type: none"> <li>• Si está secando solo una o dos prendas, añada varias para asegurar un giro apropiado.</li> </ul>
	Sobresecado	<ul style="list-style-type: none"> <li>• Seleccione un plazo de secado más breve.</li> <li>• Retire las prendas mientras están húmedas. Programe el ajuste a <b>LESS DRY (MENOS SECO)</b> o <b>DAMP DRY (SECADO HÚMEDO)</b>.</li> </ul>
	Las prendas permanecen en la secadora después que ha terminado el ciclo	<ul style="list-style-type: none"> <li>• Retire las prendas cuando finaliza el ciclo y doble o cuélguelas inmediatamente.</li> </ul>
Las prendas se encogen	Sobrecarga	<ul style="list-style-type: none"> <li>• Separe las cargas más grandes en más pequeñas.</li> </ul>
	Algunas telas se encogen de manera natural cuando se lavan. Otras pueden lavarse sin problemas, pero se encogerán en la secadora	<ul style="list-style-type: none"> <li>• Para evitar encoger las prendas, siga las instrucciones de las etiquetas exactamente.</li> <li>• Algunas prendas pueden plancharse nuevamente a su forma original después de secarlas.</li> <li>• Si tiene dudas sobre si una prenda en particular encogerá, no la lave a máquina ni la seque con giro.</li> </ul>

# Garantía de la secadora GE.



Todos los servicios de garantía se ofrecen a través de nuestros centros de asistencia técnica o un técnico autorizado de Customer Care®. Para programar servicio de asistencia técnica, en línea y las 24 horas, visite la página **ge.com** o llame al **800.GE.CARES** (1.800.432.2737). Cuando llame para solicitar servicio, por favor tenga a mano el número de serie y el número de modelo.

Engrape el recibo aquí.  
Se necesita el comprobante con la fecha de compra original para que la garantía cubra los servicios.

## Por el período de: GE reemplazará:

### Un año

De la fecha de la compra original

**Cualquier parte** de la secadora que falle debido a defectos en los materiales o en la fabricación. Durante esta **garantía limitada de un año**, GE también proporcionará, **sin costo alguno**, toda la mano de obra y servicios relacionados con el reemplazo de las partes defectuosas.

### Segundo año

De la fecha de la compra original

**Cualquier parte** de la secadora que falle debido a defectos en los materiales o en la fabricación. Durante esto **año adicional de garantía limitada**, usted será responsable de cualquier gasto de mano de obra o costos relacionados con el servicio.

### Tercero al quinto año

De la fecha de la compra original

**El tambor giratorio extra grande o el tambor de la secadora de super capacidad y el panel de control principal electrónico**, si alguna de estas partes llegaran a fallar debido a defectos en los materiales o en la fabricación. Durante estos **tres años adicionales de garantía limitada**, usted será responsable de cualquier gasto de mano de obra o costos relacionados con el servicio.

## Lo que no está cubierto:

- Viajes del personal de servicio a su casa para enseñarle cómo usar su producto.
- Instalación, entrega o mantenimiento inapropiada.
- Fallas del producto si es maltratado, mal usado, o usado para un propósito diferente del que se creó o si es usado para usos comerciales.
- Reemplazo de la bombilla.
- Cambio de los fusibles de su casa o reajuste del circuito de interruptores.
- Daños al producto causados por accidentes, incendios, inundaciones o actos de la naturaleza.
- Daños imprevistos resultantes causados por posibles defectos con este electrodoméstico.
- Daños causados después del envío.
- Producto no accesible para facilitar el servicio requerido.

**EXCLUSIÓN DE GARANTÍAS IMPLÍCITAS—Su único y exclusivo derecho es la reparación del producto, tal y como se indica en esta Garantía limitada. Cualquier garantía implícita, incluyendo las garantías implícitas de comerciabilidad o adecuación para un fin determinado, están limitadas a un año o el período de tiempo más breve permitido por la ley.**

Esta garantía se extiende al comprador original y a cualquier propietario subsecuente para productos comprados para uso doméstico dentro Estados Unidos. Si el producto está situado en un área que no dispone de servicio por parte de un proveedor de servicio autorizado de GE, podría tener que hacerse cargo de los costes de envío o bien podría solicitarse que lleve el producto a un centro de servicio de GE autorizado para realizar la reparación. En Alaska, la garantía excluye el costo de envío o las visitas de servicio a su casa.

Algunos estados no permiten la exclusión o limitación de daños imprevistos. Esta garantía le da sus derechos legales específicos, y es posible que usted tenga otros derechos legales que varían de estado a estado. Para informarse de cuáles son sus derechos legales, consulte a su oficina de asuntos del consumidor local o estatal o póngase en contacto con la Oficina de su Procurador General.

Garante: General Electric Company, Louisville, KY 40225

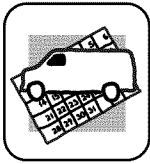
## Soporte al consumidor.



### *Página Web de GE Appliances*

**ge.com**

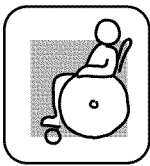
¿Tiene alguna pregunta sobre su electrodoméstico? ¡Pruebe la página Web de GE Appliances 24 horas al día, cualquier día del año! Para mayor conveniencia y servicio más rápido, ya puede descargar los Manuales de los Propietarios, pedir piezas o incluso hacer una cita en línea para que vengan a realizar una reparación.



### *Solicite una reparación*

**ge.com**

El servicio de expertos GE está a tan sólo un paso de su puerta. ¡Entre en línea y solicite su reparación cuando le venga bien 24 horas al día cualquier día del año! O llame al 800.GE.CARES (800.432.2737) durante horas normales de oficina.



### *Real Life Design Studio (Estudio de diseño para la vida real)*

**ge.com**

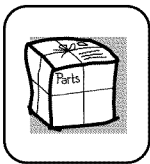
GE apoya el concepto de Diseño Universal—productos, servicios y ambientes que pueden usar gente de todas las edades, tamaños y capacidades. Reconocemos la necesidad de diseñar para una gran gama de habilidades y dificultades físicas y mentales. Para más detalles sobre las aplicaciones de GE Diseño Universal, incluyendo ideas de diseño para la cocina para personas con discapacidades, mire nuestra página Web hoy mismo. Para personas con dificultades auditivas, favor de llamar al 800.TDD.GEAC (800.833.4322).



### *Garantías ampliadas*

**ge.com**

Compre una garantía ampliada y obtenga detalles sobre descuentos especiales disponibles mientras su garantía está aún activa. Puede comprarla en línea en cualquier momento, o llamar al 800.626.2224 durante horas normales de oficina. GE Consumer Home Services estará aún ahí cuando su garantía termine.



### *Piezas y accesorios*

**ge.com**

Aquellos individuos con la calificación necesaria para reparar sus propios electrodomésticos pueden pedir que se les manden las piezas o accesorios directamente a sus hogares (aceptamos las tarjetas VISA, MasterCard y Discover). Haga su pedido en línea hoy, 24 horas cada día o llamar por teléfono al 800.626.2002 durante horas normales de oficina.

***Las instrucciones descritas en este manual cubren los procedimientos a seguir por cualquier usuario. Cualquier otra reparación debería, por regla general, referirse a personal calificado autorizado. Debe ejercerse precaución ya que las reparaciones incorrectas pueden causar condiciones de funcionamiento inseguras.***



### *Póngase en contacto con nosotros*

**ge.com**

Si no está satisfecho con el servicio que recibe de GE, póngase en contacto con nosotros en nuestra página Web indicando todos los detalles así como su número de teléfono o escríbanos a:

General Manager, Customer Relations  
GE Appliances, Appliance Park  
Louisville, KY 40225



### *Registre su electrodoméstico*

**ge.com**

**¡Registre su nuevo electrodoméstico en línea—cuando usted prefiera!** El registrar su producto a tiempo le proporcionará, si surgiera la necesidad, una mejor comunicación y un servicio más rápido bajo los términos de su garantía. También puede enviar su tarjeta de registro pre-impresa que se incluye en el material de embalaje.