

This Owner's Manual is provided and hosted by [Appliance Factory Parts](#).



FRIEDRICH SL36L30-B Owner's Manual

[Shop genuine replacement parts for FRIEDRICH
SL36L30-B](#)



[Find Your FRIEDRICH Air Conditioner Parts - Select From 1575 Models](#)

----- Manual continues below -----

Friedrich®

2004 Parts Manual

Room Air Conditioners



TABLE OF CONTENTS

| | PAGE |
|--|-------------|
| PORTABLE "Q" SERIES UNITS | 4-9 |
| SMALL CHASSIS "S" SERIES UNITS (115 & 230 VOLT) | 10-19 |
| MEDIUM CHASSIS "M" SERIES UNITS (115 & 230 VOLT) | 20-26 |
| LARGE CHASSIS "L" SERIES UNITS | 28-33 |
| CASEMENT "C" SERIES UNITS (115 & 230 VOLT) | 34-38 |

**"Q" Series
Portable Chassis
Room Air Conditioner Section**

"Q" SERIES CABINET PARTS

NOTE: Items 2, 9A, 13 and 14 are used on "YQ" units only.



NOTE: Item 3 is used on "XQ" units only.

"Q" SERIES CABINET PARTS

NOTE: Items 51, 56 and 57 are not included with the "YQ" unit.



PORTABLE "Q" SERIES

| REF | DESCRIPTION | PART NO# | | | | | | | | | CODE |
|-----|-----------------------------------|----------|------------|------------|------------|------------|-----------|-----------|------------|-----------|------|
| | | | XQ05J10A-B | XQ06J10A-A | XQ06J10A-B | XQ08J10B-A | XQ10J10-A | XQ10J10-B | EQ08J11A-A | YQ07J10-B | |
| | ELECTRICAL PARTS | | | | | | | | | | |
| 1 | THERMOSTAT | 61828401 | | | | | | | | 1 | 120 |
| 1 | THERMOSTAT | 61822401 | | | | | | | 1 | | 120 |
| 2 | THERMOSTAT, DEFROST | 60442500 | | | | | | | | 1 | 122 |
| 3 | ELECTRONIC BOARD | 61921102 | 1 | 1 | 1 | 1 | 1 | | | | 340 |
| 3 | ELECTRONIC BOARD | 61921110 | | | | | | 1 | | | 340 |
| * | REMOTE CONTROL | 61826603 | 1 | 1 | 1 | 1 | 1 | 1 | | | 350 |
| * | RESISTOR | 61900500 | | | | | | | 1 | | 200 |
| 4 | OVERLOAD | 61764539 | 1 | | 1 | | | | | | 190 |
| 4 | OVERLOAD | 61764526 | | 1 | | | | | | | 190 |
| 4 | OVERLOAD | 61764519 | | | | | 1 | 1 | | | 190 |
| 4 | OVERLOAD | 61764507 | | | | 1 | | | 1 | 1 | 190 |
| 5 | CAPACITOR | 61080550 | 1 | 1 | 1 | 1 | | | 1 | 1 | 150 |
| 5 | CAPACITOR | 61080528 | | | | | 1 | 1 | | | 150 |
| 6 | SUPPLY CORD | 60500065 | 1 | 1 | 1 | 1 | 1 | 1 | 1 | 1 | 220 |
| 7 | SWITCH ROTARY 6 POS | 60441607 | | | | | | | | 1 | 130 |
| 7 | SWITCH ROTARY 6 POS | 60441610 | | | | | | | 1 | | 130 |
| * | HEATER | 61929601 | | | | | | | 1 | | 193 |
| 9 | FAN MOTOR | 61871451 | 1 | 1 | 1 | 1 | 1 | 1 | | | 110 |
| 9 | FAN MOTOR | 61871452 | | | | | | | 1 | 1 | 110 |
| 9A | SOLENOID, REV. VALVE | 25063500 | | | | | | | | 1 | 240 |
| REF | DESCRIPTION | PART NO# | | | | | | | | | CODE |
| | REFRIGERATION SYSTEM PARTS | | | | | | | | | | |
| 10 | COMPRESSOR | 61562832 | | | | 1 | | | 1 | 1 | 600 |
| 10 | COMPRESSOR | 61716640 | | | | | 1 | 1 | | | 600 |
| 10 | COMPRESSOR | 61716658 | | 1 | | | | | | | 600 |
| 10 | COMPRESSOR | 61985100 | | | 1 | | | | | | 600 |
| 10 | COMPRESSOR | 61985101 | 1 | | | | | | | | 600 |
| 11 | EVAPORATOR COIL | 61600257 | | 1 | 1 | | | | | 1 | 400 |
| 11 | EVAPORATOR COIL | 61600258 | | | | 1 | | | 1 | | 400 |
| 11 | EVAPORATOR COIL | 61600268 | 1 | | | | | | | | 400 |
| 11 | EVAPORATOR COIL | 62050018 | | | | | 1 | 1 | | | 400 |
| 12 | CONDENSER COIL | 61600352 | 1 | | | | | | | | 410 |
| 12 | CONDENSER COIL | 61600519 | | 1 | 1 | 1 | | | 1 | | 410 |
| 12 | CONDENSER COIL | 62050319 | | | | | 1 | 1 | | | 410 |
| 12 | CONDENSER COIL | 61600515 | | | | | | | | 1 | 410 |
| * | DRIER, LIQUID | 61481300 | 1 | 1 | 1 | 1 | 1 | 1 | 1 | | 480 |
| * | DRIER, SUCTION | 61828200 | | | | | | | | 1 | 480 |
| 13 | CHECK VALVE | 61824400 | | | | | | | | 1 | 510 |
| 14 | REVERSING VALVE | 25018201 | | | | | | | | 1 | 500 |
| 15 | CAPILLARY TUBE | 01390595 | | | | | 1 | 1 | | | 471 |
| 15 | CAPILLARY TUBE | 03760545 | 1 | 1 | 1 | | | | | | 471 |
| 15 | CAPILLARY TUBE | 03760513 | | | | 1 | | | 1 | | 471 |
| 15 | CAPILLARY TUBE (HTG) | 03760500 | | | | | | | | 1 | 471 |
| 15 | CAPILLARY TUBE (CLG) | 03760554 | | | | | | | | 1 | 471 |

* PARTS NOT SHOWN

PORTABLE "Q" SERIES

| REF | DESCRIPTION | PART NO# | | | | | | | | | CODE |
|-----|----------------------|----------|------------|------------|------------|------------|-----------|-----------|------------|-----------|------|
| | | | XQ05J10A-B | XQ06J10A-A | XQ06J10A-B | XQ08J10B-A | XQ10J10-A | XQ10J10-B | EQ08J11A-A | YQ07J10-B | |
| | CHASSIS PARTS | | | | | | | | | | |
| 16 | SHROUD, CONDENSER | 61627601 | 1 | 1 | 1 | 1 | 1 | 1 | 1 | 1 | 720 |
| 17 | FAN BLADE | 61634001 | 1 | 1 | 1 | 1 | 1 | 1 | 1 | 1 | 710 |
| 18 | BLOWER WHEEL | 60610606 | 1 | 1 | 1 | | | | | 1 | 700 |
| 18 | BLOWER WHEEL | 60610612 | | | | 1 | 1 | 1 | 1 | | 700 |
| 20 | COVER BLOWER | 61619503 | 1 | 1 | 1 | 1 | 1 | 1 | 1 | 1 | 745 |
| 21 | WRAPPER, SCROLL, | 61990600 | 1 | 1 | 1 | 1 | 1 | 1 | 1 | 1 | 741 |
| 22 | FRONT, BLOWER | 61928801 | | | | | | | 1 | | 742 |
| 22 | FRONT, BLOWER | 61990700 | 1 | 1 | 1 | 1 | 1 | 1 | | 1 | 742 |
| 23 | DECK, BLOWER | 61619405 | | | | | | | 1 | | 745 |
| 23 | DECK, BLOWER | 61990500 | 1 | 1 | 1 | 1 | 1 | 1 | | 1 | 745 |
| 28 | BASE PAN | 61626302 | 1 | 1 | 1 | 1 | | | | 1 | 730 |
| 28 | BASE PAN | 61626303 | | | | | 1 | 1 | | | 730 |
| 28 | BASE PAN | 61626304 | | | | | | | 1 | | 730 |
| 29 | COVER, UNIT TOP | 61715601 | 1 | 1 | 1 | 1 | 1 | 1 | 1 | 1 | 746 |
| 30 | DRAIN PAN, EVAP. | 61638400 | 1 | 1 | 1 | 1 | 1 | 1 | 1 | 1 | 840 |
| 32 | INNER WALL | 61597315 | 1 | 1 | 1 | 1 | 1 | 1 | | | 777 |
| 32 | INNER WALL | 61597316 | | | | | | | | 1 | 777 |
| 32 | INNER WALL | 61597318 | | | | | | | 1 | | 777 |
| 33 | FAN MOTOR MOUNT | 61776903 | 1 | 1 | 1 | 1 | 1 | 1 | 1 | 1 | 900 |
| * | SCREW, FAN MTR. MT. | 21004672 | 4 | 4 | 4 | 4 | 4 | 4 | 4 | 4 | 999 |
| 34 | CONTROL MT. BRACKET | 61619612 | | | | | | | 1 | 1 | 763 |
| 34 | CONTROL MT. BRACKET | 61923900 | 1 | 1 | 1 | 1 | 1 | 1 | | | 763 |

* PARTS NOT SHOWN

PORTABLE "Q" SERIES

| REF | DESCRIPTION | PART NO# | | | | | | | | | CODE |
|----------------------|----------------------|----------|------------|------------|------------|------------|-----------|-----------|------------|-----------|------|
| | | | XQ05J10A-B | XQ06J10A-A | XQ06J10A-B | XQ08J10B-A | XQ10J10-A | XQ10J10-B | EQ08J11A-A | YQ07J10-B | |
| | CHASSIS PARTS | | | | | | | | | | |
| 37 | CONTROL DEC. PANEL | 61715916 | | | | | | | 1 | 1 | 760 |
| 38 | PANEL ASSLY, LIS | 61924900 | 1 | 1 | 1 | 1 | 1 | 1 | 1 | 1 | 765 |
| 39 | CONTROL KNOBS | 61911600 | | | | | | | 2 | 2 | 761 |
| * | HOLDER, TSTAT BULB | 61900500 | | | | | | | 1 | 1 | 764 |
| * | HOLDER, THERMISTER | 61925001 | 1 | 1 | 1 | 1 | 1 | 1 | | | 764 |
| 40 | FILTER, AIR | 61632310 | 1 | 1 | 1 | 1 | 1 | 1 | 1 | 1 | 754 |
| * | LINK EXHAUST DOOR | 61639301 | 1 | 1 | 1 | 1 | 1 | 1 | | | 811 |
| * | EXHAUST DOOR | 61632202 | 1 | 1 | 1 | 1 | 1 | 1 | | | 810 |
| * | WIRE CLIP, EXHAUST | 60301800 | 1 | 1 | 1 | 1 | 1 | 1 | | | 999 |
| | SLIDE EXHAUST DOOR | 61923802 | 1 | 1 | 1 | 1 | 1 | 1 | | | 999 |
| 43 | FRONT, DECORATIVE | 61637710 | 1 | 1 | 1 | 1 | 1 | 1 | 1 | 1 | 750 |
| 50 | SHELL, OUTER ASSY | 61625801 | 1 | 1 | 1 | 1 | 1 | 1 | 1 | 1 | 720 |
| 51 | ANGLE, TOP SUPPORT | 61627303 | 1 | 1 | 1 | 1 | 1 | 1 | | | 999 |
| 52 | CHANNEL, SILL | 61627201 | 1 | 1 | 1 | 1 | 1 | 1 | 1 | 1 | 999 |
| * | SCRIPT, FRIEDRICH | 60169103 | 1 | 1 | 1 | 1 | 1 | 1 | 1 | 1 | 999 |
| 51A | GASKET, CHASSIS SEAL | 61717300 | 1 | 1 | 1 | 1 | 1 | 1 | 1 | 1 | 780 |
| 51B | GASKET, WINDOW SEAL | 60073300 | 1 | 1 | 1 | 1 | 1 | 1 | | | 780 |
| * | BAG ASSLY (SCREWS) | 61778700 | 1 | 1 | 1 | 1 | 1 | 1 | | | 999 |
| * | BAG ASSLY (SCREWS) | 61778701 | | | | | | | 1 | 1 | 999 |
| REF | DESCRIPTION | PART NO# | | | | | | | | | CODE |
| | CHASSIS PARTS | | | | | | | | | | |
| * | COUNTER WEIGHT | 61715800 | 2 | 2 | 2 | 2 | 2 | 2 | 2 | 2 | 999 |
| * | SEAL, FAN MOTOR | 60217902 | 1 | 1 | 1 | 1 | 1 | 1 | 1 | 1 | 780 |
| 52 | GROMMET, COMP. MT. | 61028900 | 3 | 3 | 3 | 3 | 3 | 3 | 3 | 3 | 790 |
| 53 | SCREW, COMP. MT. | 91400400 | 3 | 3 | 3 | 3 | 3 | 3 | 3 | 3 | 999 |
| 56 | CURTAIN ASSLY. | 61680203 | 1 | 1 | 1 | 1 | 1 | 1 | | | 999 |
| * | CARTON, SHIPPING | 61841900 | 1 | 1 | 1 | 1 | 1 | 1 | 1 | 1 | 999 |
| * | PAD SHIPPING TOP | 61769700 | 1 | 1 | 1 | 1 | 1 | 1 | 1 | 1 | 999 |
| | PAD SHIPPING BOTTOM | 61716400 | 1 | 1 | 1 | 1 | 1 | 1 | 1 | 1 | 999 |
| OPTIONAL ACCESSORIES | | | | | | | | | | | |
| * | ANTI-ICE KIT | 61680600 | | | | | | | 1 | 1 | 250 |
| * | START ASSIST (PTCR) | 61008903 | 1 | 1 | 1 | 1 | 1 | 1 | 1 | 1 | 160 |
| * | DRAIN KIT, DC-2 | O1900235 | 1 | 1 | 1 | 1 | 1 | 1 | 1 | 1 | |
| * | INSTALLION BOOK | 92003401 | 1 | 1 | 1 | 1 | 1 | 1 | 1 | 1 | |
| * | OPERATION BOOK | 92000306 | | | | | | | 1 | 1 | |
| * | OPERATION BOOK | 92011500 | 1 | 1 | 1 | 1 | 1 | 1 | | | |
| * | PARTS MANUAL | 92013200 | 1 | 1 | 1 | 1 | 1 | 1 | 1 | 1 | |
| * | SERVICE MANUAL | 92013100 | 1 | 1 | 1 | 1 | 1 | 1 | 1 | 1 | |

* PARTS NOT SHOWN

"S" Series
115V / 230V
Small Chassis
Room Air Conditioner Section

SMALL CHASSIS "S" SERIES CHASSIS PARTS (ES, KS, RS, SS & YS)



**SMALL CHASSIS "S" SERIES CHASSIS PARTS
(ES, KS, RS, SS & YS)**



SMALL CHASSIS "S" SERIES PARTS LIST - 115V

| | DESCRIPTION | PART NO# | KS 115 | | | | RS 115 | | | SS 115 | | | | | YS 115 | CODE | |
|---|---------------------|----------|-----------|-----------|------------|-----------|------------|-----------|-----------|------------|------------|-------------|-------------|------------|------------|------|------------|
| | | | KS10E10-A | KS10J10-C | KS12J10B-A | KS15J10-A | RS12J10A-B | RS10J10-C | RS15J10-A | SS08J10R-A | SS09J10C-A | SS10J10AR-A | SS12J10AR-B | SS14J10R-A | SS14J10R-B | | YS09J10B-A |
| 1 | THERMOSTAT | 61822500 | 1 | 1 | 1 | 1 | 1 | 1 | 1 | | | | | | | | 120 |
| 1 | THERMOSTAT | 61822400 | | | | | | | | | | | | | | 1 | 120 |
| * | THERMOSTAT, DEFROST | 61350313 | | | | | | | | | | | | | | 1 | 122 |
| 2 | ELECTRONIC CTRL. | 61921103 | | | | | | | | 1 | 1 | 1 | 1 | 1 | | | 331 |
| 2 | ELECTRONIC CTRL. | 61921111 | | | | | | | | | | | | | 1 | | 331 |
| * | REMOTE CONTROL | 61826603 | | | | | | | 1 | | 1 | 1 | 1 | 1 | | | 350 |
| 3 | RESISTOR | 61808000 | 1 | 1 | 1 | 1 | 1 | 1 | 1 | | | | | | | 1 | 200 |
| * | OVERLOAD | 61764519 | 1 | 1 | 1 | | 1 | 1 | | | 1 | 1 | | | | | 190 |
| * | OVERLOAD | 61764544 | | | | 1 | | 1 | | | | | 1 | 1 | | | 190 |
| * | OVERLOAD | 61764536 | | | | | | | | 1 | | | | | | 1 | 190 |
| * | OVERLOAD | 61764507 | | | | | | | 1 | | | | | | | | 190 |
| 4 | CAPACITOR | 61080533 | | 1 | | | | | | | | | | | | | 150 |
| 4 | CAPACITOR | 61080535 | | | | | | | 1 | | | | | | | | 150 |
| 4 | CAPACITOR | 61080554 | 1 | | | | | 1 | | 1 | 1 | | | | | 1 | 150 |
| 4 | CAPACITOR | 61080569 | | | 1 | 1 | 1 | 1 | | | | 1 | 1 | 1 | | | 150 |
| 6 | SUPPLYCORD | 60500054 | 1 | 1 | | | 1 | 1 | | 1 | 1 | 1 | 1 | | | 1 | 220 |
| 6 | SUPPLYCORD | 60500053 | | | 1 | 1 | | | 1 | | | | | 1 | 1 | | 220 |
| 6 | SWITCH SYS. 5 POS. | 60607203 | 1 | 1 | 1 | 1 | | | | | | | | | | | 130 |
| 6 | SWITCH SYS. 6 POS. | 60607205 | | | | | 1 | 1 | 1 | | | | | | | | 130 |
| 6 | SWITCH SYS. 8 POS. | 60607204 | | | | | | | | | | | | | | 1 | 130 |
| 7 | SWITCH (YES - NO) | 61806102 | 1 | 1 | 1 | 1 | 1 | 1 | 1 | | | | | | | 1 | 132 |
| 8 | FAN MOTOR | 61871431 | 1 | 1 | | 1 | | | | | | | | | | | 110 |
| 8 | FAN MOTOR | 61871428 | | | | | | 1 | | 1 | 1 | 1 | | | | | 110 |
| 8 | FAN MOTOR | 61871430 | | | | | 1 | | | | | 1 | | | | | 110 |
| 8 | FAN MOTOR | 61871436 | | | 1 | | | | | | | | | | | 1 | 110 |
| 8 | FAN MOTOR | 61871444 | | | | | | 1 | | | | | 1 | 1 | | | 110 |
| * | SOLENOID COIL | 25063500 | | | | | | | | | | | | | | 1 | 240 |

* PARTS NOT SHOWN

SMALL CHASSIS "S" SERIES PARTS LIST - 115V

| | DESCRIPTION | PART NO# | KS 115 | | | | RS 115 | | | SS 115 | | | | YS 115 | CODE | |
|----|-----------------|----------|-----------|-----------|------------|-----------|------------|-----------|-----------|------------|------------|-------------|-------------|------------|------|------------|
| | | | KS10E10-A | KS10J10-C | KS12J10B-A | KS15J10-A | RS12J10A-B | RS10J10-C | RS15J10-A | SS08J10R-A | SS09J10C-A | SS10J10AR-A | SS12J10AR-B | SS14J10R-A | | SS14J10R-B |
| 9 | COMPRESSOR | 62199700 | | 1 | | | | | | | | | | | | 600 |
| 9 | COMPRESSOR | 61716641 | 1 | | | | 1 | | | 1 | | | | | | 600 |
| 9 | COMPRESSOR | 61716640 | | | 1 | | 1 | | | | | 1 | | | | 600 |
| 9 | COMPRESSOR | 61716653 | | | | 1 | | 1 | | | | | 1 | 1 | | 600 |
| 9 | COMPRESSOR | 61562832 | | | | | | | 1 | | | | | | | 600 |
| 9 | COMPRESSOR | 61562608 | | | | | | | | 1 | | | | | 1 | 600 |
| 10 | EVAPORATOR COIL | 62050014 | | | | 1 | | 1 | | | | | 1 | 1 | | 400 |
| 10 | EVAPORATOR COIL | 61850101 | | 1 | | | | | 1 | 1 | | | | | | 400 |
| 10 | EVAPORATOR COIL | 61850100 | 1 | | 1 | | 1 | 1 | | | 1 | 1 | | | 1 | 400 |
| 11 | CONDENSER COIL | 61850303 | | 1 | | | | | 1 | 1 | | | | | | 410 |
| 11 | CONDENSER COIL | 61850217 | | | 1 | | 1 | | | | | 1 | | | | 410 |
| 11 | CONDENSER COIL | 61850302 | 1 | | | 1 | | 1 | | | 1 | | | | 1 | 410 |
| 11 | CONDENSER COIL | 62050302 | | | | | | 1 | | | | | 1 | 1 | | 410 |
| * | DRIER, LIQUID | 60308101 | 1 | 1 | 1 | 1 | 1 | 1 | 1 | 1 | 1 | 1 | 1 | 1 | | 480 |
| * | DRIER, SUCTION | 61828200 | | | | | | | | | | | | | 1 | 480 |
| * | CHECK VALVE | 61824400 | | | | | | | | | | | | | 1 | 510 |
| * | REVERSING VALVE | 25018201 | | | | | | | | | | | | | 1 | 500 |
| * | CAPILLARY TUBE | 03760520 | 1 | 1 | | | 1 | | | | 1 | | | | | 471 |
| * | CAPILLARY TUBE | 03760473 | | | 1 | | 1 | | | | | 1 | | | | 471 |
| * | CAPILLARY TUBE | 01389903 | | | | | | | | 1 | | | | | | 471 |
| * | CAPILLARY TUBE | 03760501 | | | | 1 | | 1 | | | | | 1 | 1 | | 471 |
| * | CAPILLARY TUBE | 03760452 | | | | | | | | | 1 | | | | 1 | 471 |
| * | CAPILLARY TUBE | 03760556 | | | | | | | | | | | | | 1 | 471 |

* PARTS NOT SHOWN

SMALL CHASSIS "S" SERIES PARTS LIST - 115V

| | DESCRIPTION | PART NO# | KS 115 | | | | RS 115 | | | SS 115 | | | | | YS 115 | CODE | |
|----|--------------------------|----------|-----------|-----------|------------|-----------|------------|-----------|-----------|------------|------------|-------------|-------------|------------|------------|------|------------|
| | | | KS10E10-A | KS10J10-C | KS12J10B-A | KS15J10-A | RS12J10A-B | RS10J10-C | RS15J10-A | SS08J10R-A | SS09J10C-A | SS10J10AR-A | SS12J10AR-B | SS14J10R-A | SS14J10R-B | | YS09J10B-A |
| 12 | SHROUD, SML W/SUMP LOOP | 61803601 | 1 | 1 | 1 | 1 | 1 | 1 | 1 | 1 | 1 | 1 | 1 | 1 | 1 | 1 | 720 |
| 13 | FAN BLADE, CONDENSER | 60542003 | 1 | 1 | 1 | 1 | 1 | 1 | 1 | 1 | 1 | 1 | 1 | 1 | 1 | 1 | 710 |
| 14 | BLOWER WHEEL, EVAPORATOR | 60610603 | | 1 | 1 | 1 | 1 | | 1 | 1 | 1 | | 1 | 1 | 1 | 1 | 700 |
| 14 | BLOWER WHEEL, EVAPORATOR | 60610604 | 1 | | | | | 1 | | | | 1 | | | | | 700 |
| 15 | BRACE, COND. SHROUD | 61802600 | 3 | 3 | 3 | 3 | 3 | 3 | 3 | 3 | 3 | 3 | 3 | 3 | 3 | 3 | 722 |
| 16 | SCROLL | 61814902 | 1 | 1 | 1 | 1 | 1 | 1 | 1 | 1 | 1 | 1 | 1 | 1 | 1 | 1 | 743 |
| 17 | BLOWER FRONT | 61817300 | 1 | 1 | 1 | 1 | 1 | 1 | 1 | 1 | 1 | 1 | 1 | 1 | 1 | 1 | 742 |
| * | INSULATION, INNER WALL | 61816900 | 1 | 1 | 1 | 1 | 1 | 1 | 1 | 1 | 1 | 1 | 1 | 1 | 1 | 1 | 781 |
| 18 | INNER WALL | 61907300 | 1 | 1 | 1 | 1 | 1 | 1 | 1 | 1 | 1 | 1 | 1 | 1 | 1 | 1 | 777 |
| 19 | COVER, TOP | 61906700 | 1 | 1 | 1 | 1 | 1 | 1 | 1 | 1 | 1 | 1 | 1 | 1 | 1 | 1 | 746 |
| 20 | INSULATION, TOP COVER | 61816701 | 1 | 1 | 1 | 1 | 1 | 1 | 1 | 1 | 1 | 1 | 1 | 1 | 1 | 1 | 781 |
| 21 | DECK | 61817100 | 1 | 1 | 1 | 1 | 1 | 1 | 1 | 1 | 1 | 1 | 1 | 1 | 1 | 1 | 745 |
| 22 | AIR FOIL | 61820200 | 1 | 1 | 1 | 1 | 1 | 1 | 1 | 1 | 1 | 1 | 1 | 1 | 1 | 1 | 744 |
| 23 | MOUNT, FAN MOTOR | 61802500 | 1 | 1 | 1 | 1 | 1 | 1 | 1 | 1 | 1 | 1 | 1 | 1 | 1 | 1 | 900 |
| 27 | BASE PAN | 61803409 | | | | | | | | 1 | 1 | | | | | | 730 |
| 27 | BASE PAN | 61803411 | 1 | 1 | 1 | 1 | 1 | 1 | 1 | | | 1 | 1 | 1 | 1 | | 730 |
| 27 | BASE PAN | 61809003 | | | | | | | | | | | | | | 1 | 730 |
| * | DRAIN PAN | 61803800 | 1 | 1 | 1 | 1 | 1 | 1 | 1 | 1 | 1 | 1 | 1 | 1 | 1 | 1 | 840 |
| * | BELLOWS, DRAIN VALVE | 60179903 | | | | | | | | | | | | | | 1 | 801 |
| * | GRILLE, REAR | 61818800 | 1 | 1 | 1 | 1 | 1 | 1 | 1 | 1 | 1 | 1 | 1 | 1 | 1 | 1 | 771 |
| 28 | DOOR, SLIDE ASSLY. | 61821500 | 1 | 1 | 1 | 1 | 1 | 1 | 1 | 1 | 1 | 1 | 1 | 1 | 1 | 1 | 810 |
| * | CONNECTOR, SLIDE DOOR | 61814800 | 1 | 1 | 1 | 1 | 1 | 1 | 1 | 1 | 1 | 1 | 1 | 1 | | 1 | 811 |
| 29 | PANEL, CTRL. MT. | 61807200 | 1 | 1 | 1 | 1 | 1 | 1 | 1 | | | | | | | 1 | 999 |
| 29 | PANEL, CTRL. MT. | 61807201 | | | | | | | | 1 | 1 | 1 | 1 | 1 | 1 | | 999 |
| 30 | BRACKET, CAP. MT | 61820400 | 1 | 1 | 1 | 1 | 1 | 1 | 1 | 1 | 1 | 1 | 1 | 1 | 1 | 1 | 999 |
| * | PANEL, L/S | 61937200 | 1 | 1 | 1 | 1 | 1 | 1 | 1 | 1 | 1 | 1 | 1 | 1 | 1 | 1 | 999 |
| 31 | PARTITION, CTRL. BOX | 61802800 | 1 | 1 | 1 | 1 | 1 | 1 | 1 | 1 | 1 | 1 | 1 | 1 | 1 | 1 | 999 |
| 32 | DECORATIVE PANEL | 61822603 | | | | | 1 | 1 | 1 | | | | | | | | 999 |
| 32 | DECORATIVE PANEL | 61823300 | | | | | | | | | | | | | | 1 | 999 |
| 32 | DECORATIVE PANEL | 61822600 | 1 | 1 | 1 | 1 | | | | | | | | | | | 999 |
| 33 | KNOBS, CTRL. | 61493905 | 2 | 2 | 2 | 2 | 2 | 2 | 2 | | | | | | | 2 | 761 |
| * | HOLDER, THERMISTER | 61925001 | | | | | | | | 1 | 1 | 1 | 1 | 1 | 1 | | 764 |
| * | HOLDER, AIR FILTER | 60865900 | 2 | 2 | 2 | 2 | 2 | 2 | 2 | 2 | 2 | 2 | 2 | 2 | 2 | 2 | 756 |
| * | FILTER, AIR | 60865808 | 1 | 1 | 1 | 1 | 1 | 1 | 1 | 1 | 1 | 1 | 1 | 1 | 1 | 1 | 754 |
| * | CLAMP, SUPPLYCORD | 91500301 | 1 | 1 | 1 | 1 | 1 | 1 | 1 | 1 | 1 | 1 | 1 | 1 | 1 | 1 | 999 |
| * | BRACKET, RESISTO BLOCK | 61820600 | 1 | 1 | 1 | 1 | 1 | 1 | 1 | | | | | | | 1 | 999 |
| 34 | GROMMET, SUCTION LINE | 61807602 | 1 | 1 | 1 | 1 | 1 | 1 | 1 | 1 | 1 | 1 | 1 | 1 | 1 | | 999 |
| 34 | GROMMET, SUCTION LINE | 61807600 | | | | | | | | | | | | | | 1 | 999 |
| 34 | GROMMET, COMPRESSOR | 61028900 | 3 | 3 | 3 | 3 | 3 | 3 | 3 | 3 | 3 | 3 | 3 | 3 | 3 | 3 | 790 |
| 35 | SCREW, COMPRESSOR MT. | 91400400 | 3 | 3 | 3 | 3 | 3 | 3 | 3 | 3 | 3 | 3 | 3 | 3 | 3 | 3 | 999 |
| * | COUNTER WEIGHT | 61715800 | 2 | 2 | 2 | 2 | 2 | 2 | 2 | 2 | 2 | 2 | 2 | 2 | 2 | 2 | 999 |
| 36 | PLENUM ASSLY. | 61810200 | 1 | 1 | 1 | 1 | 1 | 1 | 1 | 1 | 1 | 1 | 1 | 1 | 1 | 1 | 753 |

* PARTS NOT SHOWN

SMALL CHASSIS "S" SERIES PARTS LIST - 115V

| | DESCRIPTION | PART NO# | KS 115 | | | | RS 115 | | | SS 115 | | | | YS 115 | CODE | |
|-----------------------------------|-----------------------------|----------|-----------|-----------|------------|-----------|------------|-----------|-----------|------------|------------|-------------|-------------|--------|------|------------|
| | | | KS10E10-A | KS10J10-C | KS12J10B-A | KS15J10-A | RS12J10A-B | RS10J10-C | RS15J10-A | SS08J10R-A | SS09J10C-A | SS10J10AR-A | SS12J10AR-B | | | SS14J10R-A |
| | CHASSIS PARTS | | | | | | | | | | | | | | | |
| * | LEVER, FRESH & EXHAUST | 61809200 | 1 | 1 | 1 | 1 | 1 | 1 | 1 | 1 | 1 | 1 | 1 | 1 | 1 | 813 |
| * | KNOB, FRESH & EXHAUST | 61809300 | 1 | 1 | 1 | 1 | 1 | 1 | 1 | 1 | 1 | 1 | 1 | 1 | 1 | 814 |
| 37 | INTAKE GRILLE | 61808903 | 1 | 1 | 1 | 1 | 1 | 1 | 1 | 1 | 1 | 1 | 1 | 1 | 1 | 772 |
| * | LATCH, INTAKE GRILLE | 61989000 | 2 | 2 | 2 | 2 | 2 | 2 | 2 | 2 | 2 | 2 | 2 | 2 | 2 | |
| 38 | OUTER SHELL ASSLY | 61825700 | 1 | 1 | 1 | 1 | 1 | 1 | 1 | 1 | 1 | 1 | 1 | 1 | 1 | 770 |
| 39 | SILL PLATE | 61808403 | 1 | 1 | 1 | 1 | 1 | 1 | 1 | 1 | 1 | 1 | 1 | 1 | 1 | |
| * | CHASSIS GUIDE, SHELL | 61819601 | 2 | 2 | 2 | 2 | 2 | 2 | 2 | 2 | 2 | 2 | 2 | 2 | 2 | |
| * | FRIEDRICH SCRIPT | 60169103 | 1 | 1 | 1 | 1 | 1 | 1 | 1 | 1 | 1 | 1 | 1 | 1 | 1 | |
| * | PUSHNUTS, SCRIPT | 91002900 | 2 | 2 | 2 | 2 | 2 | 2 | 2 | 2 | 2 | 2 | 2 | 2 | 2 | |
| * | ACCESSORY PKGE. | 61105004 | 1 | 1 | 1 | 1 | 1 | 1 | 1 | 1 | 1 | 1 | 1 | 1 | 1 | |
| 40 | WINGBOARD | 60294408 | 1 | 1 | 1 | 1 | 1 | 1 | 1 | 1 | 1 | 1 | 1 | 1 | 1 | |
| 41 | BRACKET, SUPPORT | 61109503 | 1 | 2 | 2 | 2 | 2 | 2 | 2 | 2 | 2 | 2 | 2 | 2 | 2 | |
| 42 | ANGLE, WINGBOARD | 61819801 | 2 | 2 | 2 | 2 | 2 | 2 | 2 | 2 | 2 | 2 | 2 | 2 | 2 | |
| 43 | ANGLE, TOP | 61819701 | 1 | 1 | 1 | 1 | 1 | 1 | 1 | 1 | 1 | 1 | 1 | 1 | 1 | |
| 44 | GASKET, VINYL. {item #12} | 60610303 | 1 | 1 | 1 | 1 | 1 | 1 | 1 | 1 | 1 | 1 | 1 | 1 | 1 | |
| * | HARDWARE BAG(SCREWS) | 60846017 | | | | | | | 1 | | | | | | | 1 |
| * | HARDWARE BAG(SCREWS) | 60846016 | 1 | 1 | 1 | 1 | 1 | 1 | 1 | 1 | 1 | 1 | 1 | 1 | 1 | |
| 45 | GASKET, CHASSIS. {item #14} | 61717301 | 1 | 1 | 1 | 1 | 1 | 1 | 1 | 1 | 1 | 1 | 1 | 1 | 1 | 1 |
| 45 | GASKET, WINDOW. {item # 13} | 60073300 | 1 | 1 | 1 | 1 | 1 | 1 | 1 | 1 | 1 | 1 | 1 | 1 | 1 | |
| * | CARTON, SHIPPING | 61841901 | 1 | 1 | 1 | 1 | 1 | 1 | 1 | 1 | 1 | 1 | 1 | 1 | 1 | 1 |
| * | PAD, SHIPPING | 61839500 | 1 | 1 | 1 | 1 | 1 | 1 | 1 | 1 | 1 | 1 | 1 | 1 | 1 | 1 |
| * | PAD, FRONT SUPPORT | 61839700 | 1 | 1 | 1 | 1 | 1 | 1 | 1 | 1 | 1 | 1 | 1 | 1 | 1 | 1 |
| * | PAD, SHIPPING TOP | 61839600 | 1 | 1 | 1 | 1 | 1 | 1 | 1 | 1 | 1 | 1 | 1 | 1 | 1 | 1 |
| OPTIONAL ACCESSORIES ITEMS | | | | | | | | | | | | | | | | |
| * | ACCESSORY PACKAGE | WIKS | | | | | | | | | | | | | | 1 |
| * | DRAIN KIT, DC-2 | 01900235 | 1 | 1 | 1 | 1 | 1 | 1 | 1 | 1 | 1 | 1 | 1 | 1 | 1 | 1 |
| * | START KIT, CAP.RELAY | 61008903 | 1 | 1 | 1 | 1 | 1 | 1 | 1 | 1 | 1 | 1 | 1 | 1 | 1 | 1 |
| * | ANTI-ICE KIT | 61680600 | 1 | 1 | 1 | 1 | 1 | 1 | 1 | 1 | 1 | 1 | 1 | 1 | 1 | 1 |
| * | REMOTE CONTROLLER | 61826603 | | | | | | | | 1 | | | | | | |
| * | INSTALLATION BOOK | 92003602 | 1 | 1 | 1 | 1 | 1 | 1 | 1 | 1 | 1 | 1 | 1 | 1 | 1 | 1 |
| * | OPERATION BOOK | 92000306 | | | | | | | | | | | | | | 1 |
| * | OPERATION BOOK | 92000505 | 1 | 1 | 1 | 1 | | | | | | | | | | |
| * | OPERATION BOOK | 92006102 | | | | | 1 | 1 | 1 | | | | | | | |
| * | OPERATION BOOK | 92009002 | | | | | | | 1 | 1 | 1 | 1 | 1 | 1 | 1 | |
| * | QUICK REF. CARD | 92004401 | | | | | | | 1 | 1 | 1 | 1 | 1 | 1 | 1 | |
| * | PARTS MANUAL | 92013200 | | 1 | 1 | 1 | 1 | 1 | 1 | 1 | 1 | 1 | 1 | 1 | 1 | 1 |
| * | SERVICE MANUAL | 92013100 | | 1 | 1 | 1 | 1 | 1 | 1 | 1 | 1 | 1 | 1 | 1 | 1 | 1 |

* PARTS NOT SHOWN

SMALL CHASSIS "S" SERIES PARTS LIST - 230V

| REF | DESCRIPTION | PART NO# | ES 230 | | KS 230 | RS 230 | SS 230 | | YS 230 | CODE |
|-----|----------------------------|----------|------------|------------|------------|------------|------------|------------|-----------|------|
| | | | ES12J33B-A | ES16J33A-A | KS12J30B-A | RS16J30A-A | SS12J30D-A | SS16J30A-A | YS12J33-A | |
| | ELECTRICAL PARTS | | | | | | | | | |
| 1 | THERMOSTAT | 61822400 | 1 | 1 | | | | | 1 | 120 |
| 1 | THERMOSTAT | 61822500 | | | 1 | 1 | | | | 120 |
| * | RESISTOR | 61808001 | 1 | 1 | 1 | 1 | | | 1 | 200 |
| * | THERMOSTAT, DEFROST | 61350313 | | | | | | | 1 | 122 |
| 2 | ELECTRONIC CTR. | 61921104 | | | | | 1 | 1 | | 331 |
| * | OVERLOAD | 61764521 | | | 1 | | | | 1 | 190 |
| * | OVERLOAD | 61764532 | | 1 | | 1 | | 1 | | 190 |
| * | OVERLOAD | 61764540 | 1 | | | | 1 | | | 190 |
| 4 | CAPACITOR | 61080536 | 1 | 1 | 1 | 1 | 1 | 1 | 1 | 150 |
| 5 | SUPPLY CORD | 60500049 | 1 | 1 | | | | | 1 | 220 |
| 5 | SUPPLY CORD | 60500051 | | | 1 | 1 | 1 | 1 | | 220 |
| 6 | SWITCH, SYS. 8 POS. | 60607204 | 1 | 1 | | | | | 1 | 130 |
| 6 | SWITCH, SYS. 5 POS. | 60607203 | | | 1 | | | | | 130 |
| 6 | SWITCH, SYS. 6 POS | 60607205 | | | | 1 | | | | 130 |
| 7 | SWITCH (YES - NO) | 61806102 | 1 | 1 | 1 | 1 | | | 1 | 132 |
| 8 | FAN MOTOR | 61871441 | | | | | 1 | | | 110 |
| 8 | FAN MOTOR | 61871429 | | | | 1 | | 1 | | 110 |
| 8 | FAN MOTOR | 61871437 | 1 | | 1 | | | | 1 | 110 |
| 8 | FAN MOTOR | 61871438 | | 1 | | | | | | 110 |
| * | SOLENOID | 25063600 | | | | | | | 1 | 240 |
| 8A | HEATER | 61878600 | 1 | 1 | | | | | 1 | 210 |
| * | FUSE LINK | 61596301 | 1 | 1 | | | | | 1 | 192 |
| * | LIMITER, HEATER | 61827901 | 1 | 1 | | | | | 1 | 193 |
| REF | DESCRIPTION | PART NO# | ES 230 | | KS 230 | RS 230 | SS 230 | | YS 230 | CODE |
| | REFRIGERATION PARTS | | | | | | | | | |
| | | | ES12J33B-A | ES16J33A-A | KS12J30B-A | RS16J30A-A | SS12J30D-A | SS16J30A-A | YS12J33-A | |
| 9 | COMPRESSOR | 61716628 | | | 1 | | | | 1 | 600 |
| 9 | COMPRESSOR | 61716645 | 1 | | | | 1 | | | 600 |
| 9 | COMPRESSOR | 61716631 | | 1 | | 1 | | 1 | | 600 |
| 10 | EVAPORATOR COIL | 61850100 | 1 | | | | 1 | | 1 | 400 |
| 10 | EVAPORATOR COIL | 61850101 | | | 1 | | | | | 400 |
| 10 | EVAPORATOR COIL | 62050014 | | 1 | | 1 | | 1 | | 400 |
| 11 | CONDENSER COIL | 61850217 | | | 1 | | | | | 410 |
| 11 | CONDENSER COIL | 61850302 | 1 | | | | 1 | | | 410 |
| 11 | CONDENSER COIL | 61850306 | | | | | | | 1 | 410 |
| 11 | CONDENSER COIL | 62050302 | | 1 | | 1 | | 1 | | 410 |
| * | DRIER, LIQUID | 60308101 | 1 | 1 | 1 | 1 | 1 | 1 | | 480 |
| * | DRIER, SUCTION | 61828200 | | | | | | | 1 | 480 |
| * | CHECK VALVE | 61824400 | | | | | | | 1 | 510 |
| * | REVERSING VALVE | 25018301 | | | | | | | 1 | 500 |
| * | CAPILLARY TUBE | 03760513 | | | | | | | 1 | 471 |
| * | CAPILLARY TUBE | 03760545 | | | | | | | 1 | 471 |
| * | CAPILLARY TUBE | 03760473 | 1 | | | | 1 | | | 471 |
| * | CAPILLARY TUBE | 01390005 | | 1 | | 1 | | 1 | | 471 |
| * | CAPILLARY TUBE | 03760520 | | | 1 | | | | | 471 |

* PARTS NOT SHOWN

SMALL CHASSIS "S" SERIES PARTS LIST - 230V

| REF | DESCRIPTION | PART NO# | ES 230 | | KS 230 | RS 230 | SS 230 | | YS 230 | CODE |
|-----|--------------------------|----------|-----------|------------|------------|------------|------------|------------|-----------|------|
| | | | ES12J33-A | ES16J33A-A | KS12J30B-A | RS16J30A-A | SS12J30D-A | SS16J30A-A | YS12J33-A | |
| | CHASSIS PARTS | | | | | | | | | |
| 12 | SHROUD, CONDENSER | 61803601 | 1 | 1 | 1 | 1 | 1 | 1 | 1 | 720 |
| 13 | FAN BLADE | 60542003 | 1 | 1 | 1 | 1 | 1 | 1 | 1 | 710 |
| 14 | BLOWER WHEEL | 60610601 | | 1 | | 1 | | 1 | | 700 |
| 14 | BLOWER WHEEL | 60610603 | 1 | | 1 | | 1 | | 1 | 700 |
| 15 | BRACE, COND. SHROUD | 61802600 | 3 | 3 | 3 | 3 | 3 | 3 | 3 | 722 |
| 16 | SCROLL | 61814902 | 1 | 1 | 1 | 1 | 1 | 1 | 1 | 743 |
| 17 | BLOWER FRONT | 61817300 | 1 | 1 | 1 | 1 | 1 | 1 | 1 | 742 |
| * | INSULATION, INNER WALL | 61816900 | 1 | 1 | 1 | 1 | 1 | 1 | 1 | 781 |
| 18 | INNER WALL | 61907300 | 1 | 1 | 1 | 1 | 1 | 1 | 1 | 777 |
| 19 | COVER, TOP | 61906700 | 1 | 1 | 1 | 1 | 1 | 1 | 1 | 746 |
| 20 | INSULATION, TOP COVER | 61816701 | 1 | 1 | 1 | 1 | 1 | 1 | 1 | 781 |
| 21 | DECK | 61817100 | 1 | 1 | 1 | 1 | 1 | 1 | 1 | 745 |
| 22 | AIR FOIL | 61820200 | 1 | 1 | 1 | 1 | 1 | 1 | 1 | 744 |
| 23 | MOUNT, FAN MOTOR | 61802500 | 1 | 1 | 1 | 1 | 1 | 1 | 1 | 900 |
| 24 | SHIELD, BOTTOM | 61812900 | 1 | 1 | | | | | 1 | 999 |
| 25 | BRACKET, HEATER MT. | 61818900 | 1 | 1 | | | | | 1 | 999 |
| 26 | SHIELD, SIDE | 61821800 | 1 | 1 | | | | | 1 | 999 |
| 27 | BASE PAN | 61809005 | 1 | 1 | | | | | | 730 |
| 27 | BASE PAN | 61803411 | | | 1 | 1 | 1 | 1 | | 730 |
| 27 | BASE PAN | 61809001 | | | | | | | 1 | 730 |
| * | DRAIN PAN | 61803800 | 1 | 1 | 1 | 1 | 1 | 1 | 1 | 840 |
| * | BELLOWS, DRAIN VALVE | 60179903 | 1 | 1 | | | | | 1 | 801 |
| * | GRILLE, REAR | 61818800 | 1 | 1 | 1 | 1 | 1 | 1 | 1 | 771 |
| 28 | DOOR, SLIDE ASSLY. | 61821500 | 1 | 1 | 1 | 1 | 1 | 1 | 1 | 810 |
| * | CONNECTOR, SLIDE DOOR | 61814800 | 1 | 1 | 1 | 1 | 1 | 1 | 1 | 811 |
| 29 | PANEL, CTRL. MT. | 61807201 | | | | | 1 | 1 | | 999 |
| 29 | PANEL, CTRL. MT. | 61807200 | 1 | 1 | 1 | 1 | | | 1 | 999 |
| 30 | BRACKET, CAP. MT | 61820400 | 1 | 1 | 1 | 1 | 1 | 1 | 1 | 999 |
| * | PANEL, LIS | 61937200 | 1 | 1 | 1 | 1 | 1 | 1 | 1 | 999 |
| 31 | PARTITION, CTRL. BOX | 61802800 | | | 1 | 1 | 1 | 1 | | 999 |
| 31 | PARTITION, CTRL. BOX | 61802801 | 1 | 1 | | | | | 1 | 999 |
| * | BUSHING, SUPPLY CORD | 60071311 | 1 | 1 | | | | | 1 | 999 |
| * | BUSHING, SUPPLY CORD | 60071316 | 1 | 1 | 1 | 1 | 1 | 1 | 1 | 999 |
| 32 | DECORATIVE PANEL | 61823300 | 1 | 1 | | | | | 1 | 999 |
| 32 | DECORATIVE PANEL | 61822603 | | | | 1 | | | | 999 |
| 32 | DECORATIVE PANEL | 61822600 | | | 1 | | | | | 999 |
| 33 | KNOBS, CTRL. | 61493905 | 2 | 2 | 2 | 2 | | | 2 | 761 |
| 29 | PANEL, CONTROL SML | 61807200 | 1 | 1 | 1 | 1 | | | 1 | 999 |
| 29 | PANEL, CONTROL | 61807201 | | | | | 1 | 1 | | 999 |
| * | HOLDER, THERMISTER | 61925001 | | | | | 1 | 1 | | 764 |
| * | HOLDER, AIR FILTER | 61823000 | 2 | 2 | 2 | 2 | 2 | 2 | 2 | 756 |
| * | FILTER, AIR | 60865808 | 1 | 1 | 1 | 1 | 1 | 1 | 1 | 754 |
| * | CLAMP, SUPPLY CORD | 91500302 | 1 | 1 | 1 | 1 | 1 | 1 | 1 | 999 |
| * | BRACKET, RESISTO BLOCK | 61820600 | 1 | 1 | 1 | 1 | | | 1 | 999 |
| * | GROMMET, SUCTION LINE | 61807602 | 1 | 1 | 1 | 1 | 1 | 1 | 1 | 999 |
| 34 | GROMMET, COMPRESSOR | 61028900 | 3 | 3 | 3 | 3 | 3 | 3 | 3 | 790 |
| 35 | SCREW, COMPRESSOR MT. | 91400400 | 3 | 3 | 3 | 3 | 3 | 3 | 3 | 999 |
| * | FILTER, AIR | 60865808 | 1 | 1 | 1 | 1 | 1 | 1 | 1 | 754 |
| * | CLAMP, SUPPLY CORD | 91500302 | 1 | 1 | 1 | 1 | 1 | 1 | 1 | 999 |
| * | BRACKET, RESISTO BLOCK | 61820600 | 1 | 1 | 1 | 1 | | | 1 | 999 |
| * | GROMMET, SUCTION LINE | 61807602 | 1 | 1 | 1 | 1 | 1 | 1 | 1 | 999 |
| 34 | GROMMET, COMPRESSOR | 61028900 | 3 | 3 | 3 | 3 | 3 | 3 | 3 | 790 |
| 35 | SCREW, COMPRESSOR MT. | 91400400 | 3 | 3 | 3 | 3 | 3 | 3 | 3 | 999 |
| * | COUNTER WEIGHT | 61715800 | 2 | 2 | 2 | 2 | 2 | 2 | 2 | 999 |
| 36 | PLENUM ASSLY. | 61810200 | 1 | 1 | 1 | 1 | 1 | 1 | 1 | 753 |
| * | KNOB,FRESH AIR & EXHAUST | 61809300 | 1 | 1 | 1 | 1 | 1 | 1 | 1 | 761 |

* PARTS NOT SHOWN

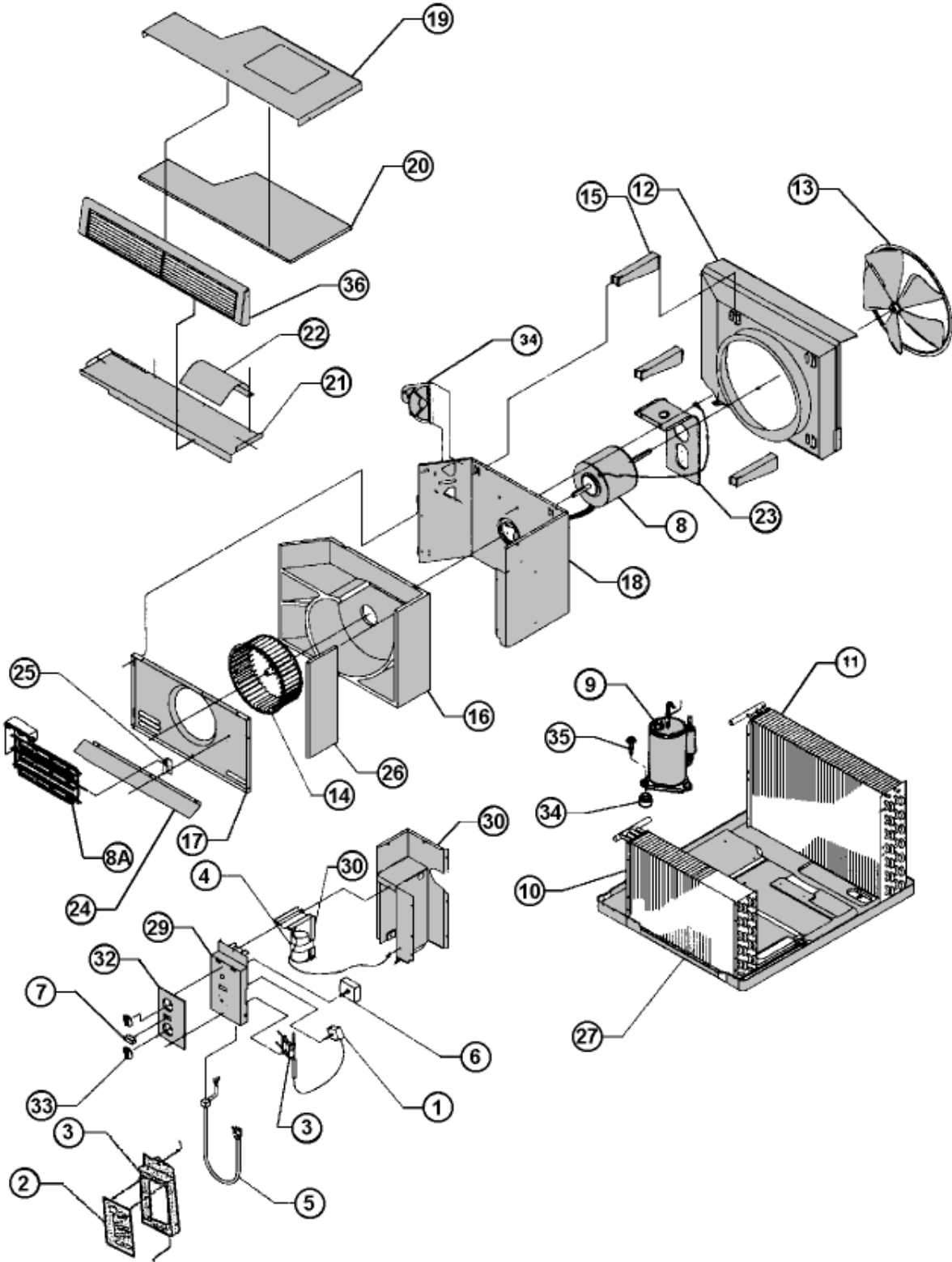
SMALL CHASSIS "S" SERIES PARTS LIST - 230V

| | CHASSIS PARTS | | ES12J33-A | ES16J33A-A | KS12J30B-A | RS16J30A-A | SS12J30D-A | SS16J30A-A | YS12J33-A | |
|---------------------------------|----------------------|----------|-----------|------------|------------|------------|------------|------------|-----------|-----|
| 37 | INTAKE GRILLE | 61808903 | 1 | 1 | 1 | 1 | 1 | 1 | 1 | 772 |
| * | LATCH, INTAKE GRILLE | 61989000 | 2 | 2 | 2 | 2 | 2 | 2 | 2 | |
| 38 | OUTER SHELL ASSLY | 61825700 | 1 | 1 | 1 | 1 | 1 | 1 | 1 | 770 |
| 39 | SILL PLATE | 61808403 | 1 | 1 | 1 | 1 | 1 | 1 | 1 | |
| * | CHASSIS GUIDE, SHELL | 61819601 | 2 | 2 | 2 | 2 | 2 | 2 | 2 | |
| * | FRIEDRICH SCRIPT | 60169105 | 1 | 1 | 1 | 1 | 1 | 1 | 1 | |
| * | PUSHNUTS, SCRIPT | 91002900 | 2 | 2 | 2 | 2 | 2 | 2 | 2 | |
| 40 | WINGBOARD | 60294408 | | | 1 | 1 | 1 | 1 | | |
| 41 | BRACKET, SUPPORT | 61109503 | | | 2 | 2 | 2 | 2 | | |
| 42 | ANGLE, WINGBOARD | 61819801 | | | 2 | 2 | 2 | 2 | | |
| 43 | ANGLE, TOP | 61819701 | | | 1 | 1 | 1 | 1 | | |
| 44 | GASKET, VINYL | 60610303 | 1 | 1 | 1 | 1 | 1 | 1 | 1 | |
| * | HARDWARE BAG(SCREWS) | 60846017 | 1 | 1 | | | | | 1 | |
| * | HARDWARE BAG(SCREWS) | 60846016 | | | 1 | 1 | 1 | 1 | | |
| 45 | GASKET, CHASSIS | 61717301 | 1 | 1 | 1 | 1 | 1 | 1 | 1 | |
| 45 | GASKET, WINDOW | 60073300 | | | 1 | 1 | 1 | 1 | | |
| * | PAD, SHIPPING TOP | 61839600 | 1 | 1 | 1 | 1 | 1 | 1 | 1 | |
| * | PAD, SHIPPING | 61839500 | 1 | 1 | 1 | 1 | 1 | 1 | 1 | |
| * | PAD, FRONT SUPPORT | 61839700 | 1 | 1 | 1 | 1 | 1 | 1 | 1 | |
| * | CARTON, SHIPPING | 61841901 | 1 | 1 | 1 | 1 | 1 | 1 | 1 | |
| OPTIONAL ACCESSORY ITEMS | | | | | | | | | | |
| * | DRAIN KIT, DC-2 | 01900235 | 1 | 1 | 1 | 1 | 1 | 1 | 1 | |
| * | START KIT, CAP.RELAY | 61008903 | 1 | 1 | 1 | 1 | 1 | 1 | 1 | |
| * | REMOTE CONTROLLER | 61826603 | | | | | 1 | 1 | | |
| * | INSTALLATION BOOK | 92003601 | 1 | 1 | 1 | 1 | 1 | 1 | 1 | |
| * | OPERATION BOOK | 92000304 | 1 | 1 | | | | | 1 | |
| * | OPERATION BOOK | 92000505 | | | 1 | | | | | |
| * | OPERATION BOOK | 92006102 | | | | 1 | | | | |
| * | OPERATION BOOK | 92000901 | | | | | 1 | 1 | | |
| * | QUICK REF. CARD | 92004401 | | | | | 1 | 1 | | |
| * | PARTS MANUAL | 92013200 | 1 | 1 | 1 | 1 | 1 | 1 | 1 | |
| * | SERVICE MANUAL | 92013100 | 1 | 1 | 1 | 1 | 1 | 1 | 1 | |

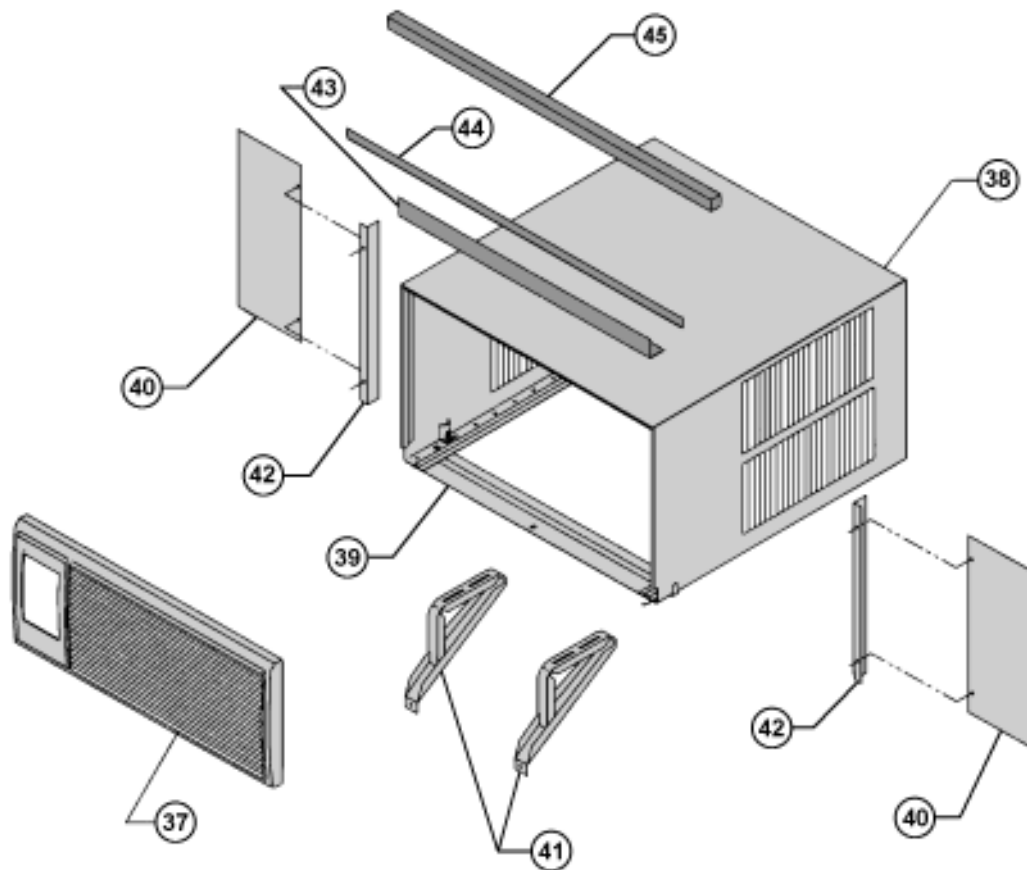
* PARTS NOT SHOWN

**"M" Series
230V
Medium Chassis
Room Air Conditioner Section**

Medium Chassis "M" SERIES CHASSIS PARTS (EM, KM, RM, SM, & YM)



Medium Chassis "M" SERIES CABINET & MOUNTING PARTS (EK, EM, KM, RM, SM, YM)



MEDIUM CHASSIS "M" SERIES PARTS LIST

| REF | DESCRIPTION | PART NO# | EM 230 | | KM 230 | | RM 230 | | SM 230 | | | | YM 230 | CODE |
|-----|--------------------|----------|------------|------------|-----------|-----------|------------|-----------|-------------|-----------|-----------|-----------|------------|------|
| | | | EM18J34B-B | KM18J30C-A | KM20J30-A | KM24J30-A | RM18J30A-A | RM24J30-A | SM18J30BR-A | SM20J30-A | SM20J30-B | SM24J30-A | YM18J34C-A | |
| 1 | THERMOSTAT | 61822400 | 1 | | | | | | | | | | 1 | 120 |
| 1 | THERMOSTAT | 61822500 | | 1 | 1 | 1 | 1 | 1 | | | | | | 120 |
| * | RESISTOR | 61808001 | 1 | 1 | 1 | 1 | 1 | 1 | | | | | 1 | 200 |
| * | THERMOSTAT, DEF. | 61350313 | | | | | | | | | | | 1 | 122 |
| 2 | ELECTRONIC BOARD | 61921104 | | | | | | | 1 | 1 | 1 | 1 | | 331 |
| * | REMOTE CONTROL | 61826603 | | | | | | | 1 | | | | | 350 |
| * | OVERLOAD | 61764522 | | | | | | | | | | | 1 | 190 |
| 4 | CAPACITOR | 61080557 | | | 1 | | | | | 1 | 1 | | | 150 |
| 4 | CAPACITOR | 61080529 | | | | 1 | | 1 | | | | 1 | | 150 |
| 4 | CAPACITOR | 61080536 | 1 | 1 | | | 1 | | 1 | | | | | 150 |
| 4 | CAPACITOR | 61080553 | | | | | | | | | | | 1 | 150 |
| 5 | SUPPLY CORD | 60500048 | 1 | | | | | | | | | | 1 | 220 |
| 5 | SUPPLY CORD | 60500051 | | 1 | 1 | | 1 | | 1 | 1 | 1 | | | 220 |
| 5 | SUPPLY CORD | 60500049 | | | | 1 | | 1 | | | | 1 | | 220 |
| 6 | SWITCH SYS. 8 POS. | 60607204 | 1 | | | | | | | | | | 1 | 130 |
| 6 | SWITCH SYS. 5 POS. | 60607203 | | 1 | 1 | 1 | | | | | | | | 130 |
| 6 | SWITCH SYS. 6 POS. | 60607205 | | | | | 1 | 1 | | | | | | 130 |
| 7 | SWITCH (YES - NO) | 61806102 | 1 | 1 | 1 | 1 | 1 | 1 | | | | | 1 | 132 |
| 8 | FAN MOTOR | 61871432 | | | | | 1 | 1 | 1 | 1 | 1 | 1 | | 110 |
| 8 | FAN MOTOR | 61871439 | 1 | 1 | 1 | 1 | | | | | | | 1 | 110 |
| * | SOLENOID COIL | 25063600 | | | | | | | | | | | 1 | 240 |
| 8A | HEATER | 61878602 | 1 | | | | | | | | | | 1 | 210 |

* PARTS NOT SHOWN

MEDIUM CHASSIS "M" SERIES PARTS LIST

| REF | DESCRIPTION | PART NO# | EM 230 | KM 230 | | RM 230 | | SM 230 | | | | YM 230 | CODE |
|-----|-----------------|----------|------------|------------|-----------|-----------|------------|-----------|-------------|-----------|-----------|-----------|------|
| | | | EM18J34B-B | KM18J30C-A | KM20J30-A | KM24J30-A | RM18J30A-A | RM24J30-A | SM18J30BR-A | SM20J30-A | SM20J30-B | SM24J30-A | |
| 9 | COMPRESSOR | 61716652 | | | | 1 | 1 | | | | 1 | | 600 |
| 9 | COMPRESSOR | 61716651 | | | 1 | | | | 1 | 1 | | | 600 |
| 9 | COMPRESSOR | 61716617 | 1 | 1 | | | 1 | | 1 | | | | 600 |
| 9 | COMPRESSOR | 61716660 | | | | | | | | | | 1 | 600 |
| 10 | EVAPORATOR COIL | 61850011 | 1 | 1 | | | 1 | | 1 | | | | 400 |
| 10 | EVAPORATOR COIL | 61850002 | | | | | | | | | | 1 | 400 |
| 10 | EVAPORATOR COIL | 62050015 | | | | 1 | | 1 | | | 1 | | 400 |
| 10 | EVAPORATOR COIL | 62050016 | | | 1 | | | | 1 | 1 | | | 400 |
| 11 | CONDENSER COIL | 62050215 | | | | 1 | | 1 | | | 1 | | 400 |
| 11 | CONDENSER COIL | 61850200 | 1 | 1 | 1 | | 1 | | 1 | 1 | | | 410 |
| 11 | CONDENSER COIL | 61850205 | | | | | | | | | | 1 | 410 |
| * | DRIER, LIQUID | 60308101 | 1 | 1 | 1 | 1 | 1 | 1 | 1 | 1 | 1 | | 480 |
| * | DRIER, SUCTION | 61828200 | | | | | | | | | | 1 | 480 |
| * | CHECK VALVE | 61824402 | | | | | | | | | | 1 | 510 |
| * | REVERSING VALVE | 25018701 | | | | | | | | | | 1 | 500 |
| * | CAPILLARY TUBE | 01389975 | 1 | 1 | | | 1 | | 1 | | | | 471 |
| * | CAPILLARY TUBE | 03760411 | | | | | | | | | | 1 | 471 |
| * | CAPILLARY TUBE | 01389902 | | | | | | | | | | 1 | 471 |
| * | CAPILLARY TUBE | 03760479 | | | 1 | | | | 1 | | | | 471 |
| * | CAPILLARY TUBE | 03760452 | | | | 1 | | 1 | | | 1 | | 471 |

* PARTS NOT SHOWN

MEDIUM CHASSIS "M" SERIES PARTS LIST

| REF | DESCRIPTION | PART NO# | EM 230 | | | | KM 230 | | | | RM 230 | | | | SM 230 | | | | YM 230 | CODE |
|-----|-----------------------|----------|------------|------------|-----------|-----------|------------|-----------|-------------|----------|-----------|----------|------------|---|--------|---|---|-----|--------|------|
| | | | EM18J34B-B | KM18J30C-A | KM20J30-A | KM24J30-A | RK18J30A-A | RM24J30-A | SM18J30BR-A | SM20J30A | SM20J30-B | SM24J30A | YM18J34C-A | | | | | | | |
| 12 | SHROUD, CONDENSER | 61804901 | 1 | 1 | 1 | 1 | 1 | 1 | 1 | 1 | 1 | 1 | 1 | 1 | 1 | 1 | 1 | 720 | | |
| 13 | FAN BLADE, COND. | 60542004 | 1 | 1 | 1 | 1 | 1 | 1 | 1 | 1 | 1 | 1 | 1 | 1 | 1 | 1 | 1 | 710 | | |
| 14 | BLOWER WHEEL, EVAP. | 60610601 | 1 | 1 | 1 | | 1 | | 1 | 1 | 1 | 1 | | | | | | 700 | | |
| 14 | BLOWER WHEEL, EVAP. | 60610605 | | | | 1 | | 1 | | | | | 1 | 1 | | | | 700 | | |
| 15 | BRACE, COND.SHROUD | 61802600 | 3 | 3 | 3 | 3 | 3 | 3 | 3 | 3 | 3 | 3 | 3 | 3 | 3 | 3 | 3 | 722 | | |
| 16 | SCROLL | 61817500 | 1 | 1 | 1 | 1 | 1 | 1 | 1 | 1 | 1 | 1 | 1 | 1 | 1 | 1 | 1 | 743 | | |
| 17 | BLOWER FRONT | 61817400 | 1 | 1 | 1 | 1 | 1 | 1 | 1 | 1 | 1 | 1 | 1 | 1 | 1 | 1 | 1 | 742 | | |
| * | INSULATION, L\S | 61816800 | 1 | 1 | 1 | 1 | 1 | 1 | 1 | 1 | 1 | 1 | 1 | 1 | 1 | 1 | 1 | 781 | | |
| 20 | INSULATION, TOP | 61816701 | 1 | 1 | 1 | 1 | 1 | 1 | 1 | 1 | 1 | 1 | 1 | 1 | 1 | 1 | 1 | 781 | | |
| * | INSULATION, INNERWALL | 61816901 | 1 | 1 | 1 | 1 | 1 | 1 | 1 | 1 | 1 | 1 | 1 | 1 | 1 | 1 | 1 | 781 | | |
| 18 | INNER WALL | 61907200 | 1 | 1 | 1 | 1 | 1 | 1 | 1 | 1 | 1 | 1 | 1 | 1 | 1 | 1 | 1 | 777 | | |
| 19 | TOP COVER | 61906700 | 1 | 1 | 1 | 1 | 1 | 1 | 1 | 1 | 1 | 1 | 1 | 1 | 1 | 1 | 1 | 746 | | |
| 21 | DECK | 61817100 | 1 | 1 | 1 | 1 | 1 | 1 | 1 | 1 | 1 | 1 | 1 | 1 | 1 | 1 | 1 | 745 | | |
| 22 | AIR FOIL | 61820200 | 1 | 1 | 1 | 1 | 1 | 1 | 1 | 1 | 1 | 1 | 1 | 1 | 1 | 1 | 1 | 744 | | |
| 24 | SHIELD, BOTTOM | 61812900 | 1 | | | | | | | | | | | | | | 1 | 999 | | |
| 26 | SHIELD, SIDE | 61821801 | 1 | | | | | | | | | | | | | | 1 | 999 | | |
| 25 | BRACKET, HTR | 61818900 | 1 | | | | | | | | | | | | | | 1 | 730 | | |
| 27 | BASE PAN | 61809005 | 1 | | | | | | | | | | | | | | 1 | 730 | | |
| 27 | BASE PAN | 61803411 | | 1 | 1 | 1 | 1 | 1 | 1 | 1 | 1 | 1 | 1 | 1 | 1 | 1 | | 730 | | |
| * | BELLOWS, DRAIN VALVE | 60179903 | 1 | | | | | | | | | | | | | | 1 | 801 | | |
| * | DRAIN PAN, EVAP. | 61803800 | 1 | 1 | 1 | 1 | 1 | 1 | 1 | 1 | 1 | 1 | 1 | 1 | 1 | 1 | 1 | 840 | | |
| * | GRILLE, REAR | 61818801 | 1 | 1 | 1 | 1 | 1 | 1 | 1 | 1 | 1 | 1 | 1 | 1 | 1 | 1 | 1 | 771 | | |
| 28 | DOOR, SLIDE ASY | 61821500 | 1 | 1 | 1 | 1 | 1 | 1 | 1 | 1 | 1 | 1 | 1 | 1 | 1 | 1 | 1 | 810 | | |
| * | CONNECTOR SLIDE ASY | 61814800 | 1 | 1 | 1 | 1 | 1 | 1 | 1 | 1 | 1 | 1 | 1 | 1 | 1 | 1 | 1 | 811 | | |
| * | WIRE CLIP, SLIDE ASSY | 60301800 | 1 | 1 | 1 | 1 | 1 | 1 | 1 | 1 | 1 | 1 | 1 | 1 | 1 | 1 | 1 | 999 | | |
| 29 | PANEL, CTRL. MOUNT | 61811000 | 1 | 1 | 1 | 1 | 1 | 1 | 1 | | | | | | | | 1 | 999 | | |
| 29 | PANEL, CTRL. MOUNT | 61811001 | | | | | | | | 1 | 1 | 1 | 1 | 1 | | | | 999 | | |
| * | PANEL, L\S MED | 61937100 | 1 | 1 | 1 | 1 | 1 | 1 | 1 | 1 | 1 | 1 | 1 | 1 | 1 | 1 | 1 | 999 | | |
| 30 | BRACKET, CAP. MOUNT | 61820400 | 1 | 1 | 1 | 1 | 1 | 1 | 1 | 1 | 1 | 1 | 1 | 1 | 1 | 1 | 1 | 999 | | |
| * | STRAP, CAP. | 61820700 | 1 | 1 | 1 | 1 | 1 | 1 | 1 | 1 | 1 | 1 | 1 | 1 | 1 | 1 | 1 | 999 | | |
| 32 | DECORATIVE PANEL | 61823300 | 1 | | | | | | | | | | | | | | 1 | 999 | | |
| 32 | DECORATIVE PANEL | 61822600 | | 1 | 1 | 1 | 1 | 1 | 1 | | | | | | | | | 999 | | |
| 33 | KNOBS, CRTL. | 61493905 | 2 | 2 | 2 | 2 | 2 | 2 | 2 | | | | | | | | 2 | 761 | | |
| * | BRACKET, RESISTOR BLK | 61820600 | 1 | 1 | 1 | 1 | 1 | 1 | 1 | | | | | | | | 1 | 999 | | |
| * | HOLDER, THERMISTOR | 61925001 | | | | | | | | 1 | 1 | 1 | 1 | | | | | 764 | | |
| * | HOLDER, AIR FILTER | 61823000 | 2 | 2 | 2 | 2 | 2 | 2 | 2 | 2 | 2 | 2 | 2 | 2 | 2 | 2 | 2 | 756 | | |
| * | FILTER, AIR | 60865809 | 1 | 1 | 1 | 1 | 1 | 1 | 1 | 1 | 1 | 1 | 1 | 1 | 1 | 1 | 1 | 754 | | |
| * | CLAMP, SUPPLY CORD | 91500302 | 1 | | | | | | | | | | | | | | 1 | 999 | | |
| * | CLAMP, SUPPLY CORD | 91500301 | | 1 | 1 | 1 | 1 | 1 | 1 | 1 | 1 | 1 | 1 | 1 | 1 | 1 | | 999 | | |
| 34 | GROMMET, COMP. | 61028900 | 3 | 3 | 3 | 3 | 3 | 3 | 3 | 3 | 3 | 3 | 3 | 3 | 3 | 3 | 3 | 790 | | |
| 35 | SCREW, COMP. | 91400400 | 3 | 3 | 3 | 3 | 3 | 3 | 3 | 3 | 3 | 3 | 3 | 3 | 3 | 3 | 3 | 999 | | |
| * | COUNTER WEIGHT | 61715800 | 3 | 3 | 2 | 2 | 2 | 3 | 2 | 2 | 2 | 2 | 2 | 2 | 2 | 2 | 1 | 999 | | |
| * | GROMMET, SUCTION LN. | 61807600 | 1 | 1 | 1 | 1 | 1 | 1 | 1 | 1 | 1 | 1 | 1 | 1 | 1 | 1 | 1 | 999 | | |
| 23 | MOUNT, FAN MOTOR | 61804100 | 1 | 1 | 1 | 1 | 1 | 1 | 1 | 1 | 1 | 1 | 1 | 1 | 1 | 1 | 1 | 900 | | |

* PARTS NOT SHOWN

MEDIUM CHASSIS "M" SERIES PARTS LIST

| REF | DESCRIPTION | PART NO# | EM 230 | | KM 230 | | RM 230 | | SM 230 | | | | YM 230 | CODE |
|---------------------------------|----------------------|----------|------------|--|------------|-----------|-----------|------------|-----------|-------------|----------|------------|----------|------|
| | | | EM18J34B-B | | KM18J30C-A | KM20J30-A | KM24J30-A | RM18J30A-A | RM24J30-A | SM18J30BR-A | SM20J30A | SM20J30J-B | SM24J30A | |
| 36 | PLENIUM ASLY. | 61810200 | 1 | | 1 | 1 | 1 | 1 | 1 | 1 | 1 | 1 | 1 | 753 |
| 37 | GRILLE, INTAKE | 61811103 | 1 | | 1 | 1 | 1 | 1 | 1 | 1 | 1 | 1 | 1 | 772 |
| * | LATCH, GRILLE INTAKE | 61989000 | 2 | | 2 | 2 | 1 | 2 | 2 | 2 | 2 | 2 | 2 | 999 |
| 38 | OUTER SHELL | 61825701 | 1 | | 1 | 1 | 1 | 1 | 1 | 1 | 1 | 1 | 1 | 770 |
| 39 | SILL PLATE | 61808403 | 1 | | 1 | 1 | 1 | 1 | 1 | 1 | 1 | 1 | 1 | 999 |
| * | CHASSIS GUIDE, SHELL | 61819601 | 2 | | 2 | 2 | 2 | 2 | 1 | 2 | 2 | 2 | 2 | 999 |
| * | CHASSIS RETAINER | 61826400 | 1 | | 1 | 1 | 1 | 1 | 1 | 1 | 1 | 1 | 1 | 999 |
| * | FRIEDRICH SCRIPT | 60169103 | 1 | | 1 | 1 | 1 | 1 | 1 | 1 | 1 | 1 | 1 | 999 |
| * | PUSHNUTS, SCRIPT | 91002900 | 2 | | 2 | 2 | 2 | 2 | 2 | 2 | 2 | 2 | 2 | 999 |
| 40 | WINGBOARD | 60294409 | | | 1 | 1 | 1 | 1 | 1 | 1 | 1 | 1 | | 999 |
| * | HARDWARE (SCREWS) | 60846017 | 1 | | | | | | | | | | 1 | 999 |
| * | HARDWARE (SCREWS) | 60846016 | | | 1 | 1 | 1 | 1 | 1 | 1 | 1 | 1 | | 999 |
| 45 | GASKET, CHASSIS | 61717301 | 1 | | 1 | 1 | 1 | 1 | 1 | 1 | 1 | 1 | 1 | 780 |
| 45 | GASKET, WINDOW | 60073300 | | | 1 | 1 | 1 | 1 | 1 | 1 | 1 | 1 | | 780 |
| 46 | GASKET, VINYL | 60610303 | | | 1 | 1 | 1 | 1 | 1 | 1 | 1 | 1 | | 780 |
| * | CARTON, SHIPPING | 61841902 | 1 | | 1 | 1 | 1 | 1 | 1 | 1 | 1 | 1 | 1 | 999 |
| * | PAD, SHIPPING TOP | 61839600 | 1 | | 1 | 1 | 1 | 1 | 1 | 1 | 1 | 1 | 1 | 999 |
| * | PAD, FRONT SUPPORT | 61839700 | 1 | | 1 | 1 | 1 | 1 | 1 | 1 | 1 | 1 | 1 | 999 |
| * | SHIPPING SUPPORT | 61839900 | 2 | | 2 | 2 | | 2 | 2 | 2 | 2 | 2 | 2 | 999 |
| * | PAD, SHIPPING | 61839500 | 1 | | 1 | 1 | 1 | 1 | 1 | 1 | 1 | 1 | 1 | 999 |
| 41 | BRACKET, SUPPORT | 61109503 | | | 2 | 2 | 2 | 2 | 2 | 2 | 2 | 2 | | 999 |
| 43 | ANGLE, TOP SUPPORT | 61819701 | | | 1 | 1 | 1 | 1 | 1 | 1 | 1 | 1 | | 999 |
| 42 | ANGLE, WINGBOARDS | 61819803 | | | 2 | 2 | 2 | 2 | 2 | 2 | 2 | 2 | | 999 |
| OPTIONAL ACCESSORY ITEMS | | | | | | | | | | | | | | |
| * | DRAIN KIT, DC-2 | 01900235 | 1 | | 1 | 1 | 1 | 1 | 1 | 1 | 1 | 1 | 1 | |
| * | START KIT, CAP.RELAY | 61008903 | 1 | | 1 | 1 | 1 | 1 | 1 | 1 | 1 | 1 | 1 | |
| * | REMOTE CONTROLLER | 61826603 | | | | | | | | 1 | 1 | 1 | | |
| * | PARTS MANUAL | 92013200 | 1 | | 1 | 1 | 1 | 1 | 1 | 1 | 1 | 1 | 1 | |
| * | SERVICE MANUAL | 92013100 | 1 | | 1 | 1 | 1 | 1 | 1 | 1 | 1 | 1 | 1 | |
| * | INSTALLATION BOOK | 92003602 | 1 | | 1 | 1 | 1 | 1 | 1 | 1 | 1 | 1 | 1 | |
| * | OPERATION BOOK | 92000306 | 1 | | | | | | | | | | 1 | |
| * | OPERATION BOOK | 92000505 | | | 1 | 1 | 1 | | | | | | | |
| * | OPERATION BOOK | 92006102 | | | | | | 1 | 1 | | | | | |
| * | OPERATION BOOK | 92009004 | | | | | | | | 1 | 1 | 1 | 1 | |
| * | QUICK REF. CARD | 92004401 | | | | | | | | 1 | 1 | 1 | 1 | |

* PARTS NOT SHOWN

**"L" Series
Large Chassis
Room Air Conditioner Section**

LARGE CHASSIS "L" SERIES CHASSIS PARTS (SL, EL, & YL)



LARGE CHASSIS "L" SERIES CABINET & MOUNTING PARTS (SL, EL, & YL)



LARGE CHASSIS "L" SERIES PARTS LIST

| REF | DESCRIPTION | PART NO# | SL 230 | | | | EL 230 | | | CODE |
|----------------------------|--------------------|----------|-----------|------------|-----------|-----------|-----------|-----------|------------|------|
| | | | SL25J30-A | SL28J30B-A | SL36J30-A | SL36J30-B | EL25J35-A | EL36J35-A | YL24J35D-A | |
| ELECTRICAL PARTS | | | | | | | | | | |
| 1 | THERMOSTAT | 61828500 | 1 | | 1 | 1 | | | | 120 |
| 1 | THERMOSTAT | 61822400 | | | | | 1 | | 1 | 120 |
| 1 | THERMOSTAT | 61822500 | | 1 | | | | | | 120 |
| 1 | THERMOSTAT | 61828400 | | | | | | 1 | | 120 |
| * | THERMOSTAT, DEF. | 61350313 | | | | | | | 1 | 122 |
| 4 | CAPACITOR | 61080529 | 1 | | | | 1 | | 1 | 150 |
| 4 | CAPACITOR | 61080557 | | 1 | | | | | | 150 |
| 4 | CAPACITOR | 61080527 | | | 1 | 1 | | | | 150 |
| 4 | CAPACITOR | 61080564 | | | | | | 1 | | 150 |
| 5 | SUPPLY CORD | 60500049 | 1 | 1 | | | | | | 220 |
| 5 | SUPPLY CORD | 60500055 | | | 1 | 1 | 1 | 1 | 1 | 220 |
| 3 | RESISTOR | 61808001 | 1 | 1 | 1 | 1 | 1 | 1 | 1 | 200 |
| 6 | SWITCH SYS. 5 POS. | 60607203 | 1 | 1 | 1 | 1 | | | | 130 |
| 6 | SWITCH SYS. 8 POS. | 60607204 | | | | | 1 | 1 | 1 | 130 |
| 7 | SWITCH (YES - NO) | 61806102 | 1 | 1 | 1 | 1 | 1 | 1 | 1 | 132 |
| 8 | FAN MOTOR | 61871446 | | | 1 | 1 | | | | 110 |
| 8 | FAN MOTOR | 61871447 | 1 | 1 | | | 1 | | 1 | 110 |
| 8 | FAN MOTOR | 61871434 | | | | | | 1 | | 110 |
| * | SOLENOID COIL | 25063600 | | | | | | | 1 | 240 |
| 8A | HEATER | 61878602 | | | | | 1 | 1 | 1 | 210 |
| REF | DESCRIPTION | PART NO# | SL 230 | | | | EL 230 | | | CODE |
| | | | SL25J30-A | SL28J30B-A | SL36J30-A | SL36J30-B | EL25J35-A | EL36J35-A | YL24J35D-A | |
| REFRIGERATION PARTS | | | | | | | | | | |
| 9 | COMPRESSOR | 61716652 | 1 | | | | 1 | | 1 | 600 |
| 9 | COMPRESSOR | 61716650 | | 1 | | | | | | 600 |
| 9 | COMPRESSOR | 61716632 | | | 1 | 1 | | 1 | | 600 |
| 10 | EVAPORATOR COIL | 62050001 | | 1 | 1 | 1 | | 1 | | 400 |
| 10 | EVAPORATOR COIL | 61850003 | 1 | | | | 1 | | 1 | 400 |
| 11 | CONDENSER COIL | 62050220 | 1 | | | | 1 | | | 410 |
| 11 | CONDENSER COIL | 62050209 | | 1 | | | | | | 410 |
| 11 | CONDENSER COIL | 62050201 | | | 1 | 1 | | 1 | | 410 |
| 11 | CONDENSER COIL | 61850203 | | | | | | | 1 | 410 |
| * | DRIER, LIQUID | 60308101 | 1 | 1 | 1 | 1 | 1 | 1 | | 480 |
| * | DRIER, SUCTION | 61828201 | | | | | | | 1 | 480 |
| * | CHECH VALVE | 61824402 | | | | | | | 1 | 510 |
| * | REVERSING VALVE | 25018701 | | | | | | | 1 | 500 |
| * | CAPILLARY TUBE | 03760473 | 2 | | | | 2 | | | 471 |
| * | CAPILLARY TUBE | 01390005 | | 2 | 2 | 2 | | 2 | 1 | 471 |
| * | CAPILLARY TUBE | 03760395 | | | | | | | 1 | 471 |

* PARTS NOT SHOWN

LARGE CHASSIS "L" SERIES PARTS LIST

| REF | DESCRIPTION | PART NO# | SL 230 | | | | EL 230 | | | CODE |
|-----|--------------------------|----------|-----------|------------|-----------|-----------|-----------|-----------|------------|------|
| | | | SL25J30-A | SL28J30B-A | SL36J30-A | SL36J30-B | EL25J35-A | EL36J35-A | YL24J35D-A | |
| | CHASSIS PARTS | | | | | | | | | |
| * | SHROUD, W/SUMP LRG | 61807702 | 1 | 1 | 1 | 1 | 1 | 1 | 1 | 720 |
| 13 | FAN BLADE, COND. | 60542001 | | | | | | | | 710 |
| 13 | FAN BLADE, COND. | 60542007 | 1 | 1 | 1 | 1 | 1 | 1 | 1 | 710 |
| 14 | BLOWER WHEEL, EVAP. | 60610602 | 1 | 1 | | | 1 | | 1 | 700 |
| 14 | BLOWER WHEEL, EVAP. | 60610609 | | | 1 | 1 | | 1 | | 700 |
| 15 | BRACE, COND.SHROUD | 61810000 | 3 | 3 | 3 | 3 | 3 | 3 | 3 | 722 |
| 16 | SCROLL | 61818100 | 1 | 1 | 1 | 1 | 1 | 1 | 1 | 743 |
| 17 | BLOWER FRONT | 61817800 | 1 | 1 | 1 | 1 | 1 | 1 | 1 | 742 |
| * | INSULATION, L/S AIR DECK | 61818300 | 1 | 1 | 1 | 1 | 1 | 1 | 1 | 781 |
| 20 | INSULATION, TOP | 61818201 | 1 | 1 | 1 | 1 | 1 | 1 | 1 | 781 |
| * | INSULATION, INNERWALL | 61816902 | 1 | 1 | 1 | 1 | 1 | 1 | 1 | 781 |
| 18 | INNER WALL | 61907100 | 1 | 1 | 1 | 1 | 1 | 1 | 1 | 777 |
| 19 | TOP COVER | 61906600 | 1 | 1 | 1 | 1 | 1 | 1 | 1 | 746 |
| 21 | DECK | 61818000 | 1 | 1 | 1 | 1 | 1 | 1 | 1 | 745 |
| 22 | AIR FOIL | 61820201 | 1 | 1 | 1 | 1 | 1 | 1 | 1 | 744 |
| 24 | SHIELD, BOTTOM | 61813501 | | | | | 1 | | 1 | 999 |
| 24 | SHIELD, BOTTOM | 61813502 | | | | | | 1 | | 999 |
| 26 | SHIELD, SIDE | 61821900 | | | | | 1 | 1 | 1 | 999 |
| 25 | BRACKET, HTR | 61818900 | | | | | 1 | 1 | 1 | 999 |
| 27 | BASE PAN | 61807101 | | | 1 | 1 | | | | 730 |
| 27 | BASE PAN | 61807104 | 1 | 1 | | | | | | 730 |
| 27 | BASE PAN | 61809501 | | | | | | 1 | | 730 |
| 27 | BASE PAN | 61809503 | | | | | 1 | | 1 | 730 |
| * | BELLOWS, DRAIN VALVE | 60179903 | | | | | 1 | 1 | 1 | 801 |
| * | DRAIN PAN, EVAP. | 61807400 | 1 | 1 | 1 | 1 | 1 | 1 | 1 | 840 |
| * | GRILLE, REAR | 61818802 | 1 | 1 | 1 | 1 | 1 | 1 | 1 | 771 |
| 28 | DOOR, SLIDE ASY | 61821500 | 1 | 1 | 1 | 1 | 1 | 1 | 1 | 810 |
| * | CONNECTOR SLIDE ASY | 61814801 | 1 | 1 | 1 | 1 | 1 | 1 | 1 | 811 |
| * | WIRE CLIP, SLIDE ASSY | 60301800 | 2 | 2 | 2 | 2 | 2 | 2 | 2 | 999 |
| 29 | PANEL, CTRL. MOUNT | 61806900 | 1 | 1 | 1 | 1 | 1 | 1 | 1 | 999 |
| * | PANEL, L/S LRG | 61937000 | 1 | 1 | 1 | 1 | 1 | 1 | | 999 |
| 31 | PARTITION, CTRL. BOX | 61807000 | 1 | 1 | 1 | 1 | | | | 999 |
| 31 | PARTITION, CTRL. BOX | 61807001 | | | | | 1 | 1 | 1 | 999 |
| 30 | BRACKET, CAP.MOUNT | 61820400 | 1 | 1 | 1 | 1 | 1 | 1 | 1 | 999 |
| * | STRAP, CAP. | 61820702 | | 1 | 1 | 1 | | 1 | | 999 |
| * | STRAP, CAP. | 61820700 | 1 | | | | 1 | | 1 | 999 |
| 32 | DECORATIVE PANEL | 61822600 | 1 | 1 | 1 | 1 | | | | 999 |
| 32 | DECORATIVE PANEL | 61823300 | | | | | 1 | 1 | 1 | 999 |
| 33 | KNOBS, CRTL. | 61493905 | 2 | 2 | 2 | 2 | 2 | 2 | 2 | 761 |
| * | BRACKET, RESISTOR BLK | 61820600 | 1 | 1 | 1 | 1 | 1 | 1 | 1 | 999 |
| 23 | MOUNT, FAN MOTOR | 61806700 | 1 | 1 | 1 | 1 | 1 | 1 | 1 | 900 |
| * | HOLDER, AIR FILTER | 61823000 | 2 | 2 | 2 | 2 | 2 | 2 | 2 | 756 |
| * | FILTER, AIR | 60865810 | 1 | 1 | 1 | 1 | 1 | 1 | 1 | 754 |
| * | CLAMP, SUPPLY CORD | 91500301 | 1 | 1 | | | | | | 999 |
| * | CLAMP, SUPPLY CORD | 91500302 | | | 1 | 1 | 1 | 1 | 1 | 999 |
| 34 | GROMMET, COMP. | 01150934 | 3 | 3 | 3 | 3 | 3 | 3 | 3 | 790 |
| 35 | SCREW, COMP. | 91400400 | 3 | 3 | 3 | 3 | 3 | 3 | 3 | 999 |
| * | RETAINER, CHASSIS | 61826400 | 1 | 1 | 1 | 1 | 1 | 1 | 1 | 999 |
| * | COUNTER WEIGHT | 61715800 | 2 | 2 | 2 | 2 | 2 | 2 | 2 | 999 |
| * | GROMMET, SUCTION LN. | 61807601 | 1 | 1 | 1 | 1 | 1 | 1 | 1 | 999 |

* PARTS NOT SHOWN

LARGE CHASSIS "L" SERIES PARTS LIST

| REF | DESCRIPTION | PART NO# | SL 230 | | | | EL 230 | | | CODE |
|-----------------------------|-----------------------------|----------|-----------|------------|-----------|-----------|-----------|-----------|------------|------|
| | | | SL25J30-A | SL28J30B-A | SL36J30-A | SL36J30-B | EL25J35-A | EL36J35-A | YL24J35D-A | |
| ELECTRICAL PARTS | | | | | | | | | | |
| 36 | PLENIUM ASLY. | 61810500 | 1 | 1 | 1 | 1 | 1 | 1 | 1 | 753 |
| 37 | GRILLE, INTAKE | 61810403 | 1 | 1 | 1 | 1 | 1 | 1 | 1 | 772 |
| * | LATCH, GRILLE INTAKE. METAL | 61989000 | 2 | 2 | 2 | 2 | 2 | 2 | 2 | 772 |
| 38 | OUTER SHELL | 61825702 | 1 | 1 | 1 | 1 | 1 | 1 | 1 | 770 |
| 39 | SILL PLATE | 61808401 | 1 | 1 | 1 | 1 | 1 | 1 | 1 | 999 |
| * | CHASSIS GUIDE, SHELL | 61819601 | 2 | 2 | 2 | 2 | 2 | 2 | 2 | 999 |
| * | CHASSIS RETAINER | 61826400 | 1 | 1 | 1 | 1 | 1 | 1 | 1 | 999 |
| * | FRIEDRICH SCRIPT | 60169105 | 1 | 1 | 1 | 1 | 1 | 1 | 1 | 999 |
| * | PUSHNUTS, SCRIPT | 91002900 | 2 | 2 | 2 | 2 | 2 | 2 | 2 | 999 |
| 40 | WINGBOARD | 60294410 | 1 | 1 | 1 | 1 | | | | 999 |
| * | HARDWARE (SCREWS) | 60846016 | 1 | 1 | 1 | 1 | | | | 999 |
| * | HARDWARE (SCREWS) | 60846017 | | | | | 1 | 1 | 1 | 999 |
| 45 | GASKET, CHASSIS | 61717301 | 1 | 1 | 1 | 1 | 1 | 1 | 1 | 780 |
| 45 | GASKET, WINDOW | 60073300 | 1 | 1 | 1 | 1 | | | | 780 |
| 44 | GASKET, VINYL | 60610303 | 1 | 1 | 1 | 1 | | | | 780 |
| * | CARTON, SHIPPING | 61841903 | 1 | 1 | 1 | 1 | 1 | 1 | 1 | 999 |
| * | PAD, SHIPPING TOP | 61839601 | 1 | 1 | 1 | 1 | 1 | 1 | 1 | 999 |
| * | PAD, FRONT SUPPORT | 61839701 | 1 | 1 | 1 | 1 | 1 | 1 | 1 | 999 |
| * | PAD, SHIPPING | 61839501 | 1 | 1 | 1 | 1 | 1 | 1 | 1 | 999 |
| * | SUPPORT, SHIPPING | 61839901 | 2 | 2 | 2 | 2 | 2 | 2 | 2 | 999 |
| * | SPACER, SHIPPING | 61915100 | 2 | 2 | 2 | 2 | 2 | 2 | 2 | 999 |
| 41 | BRACKET, SUPPORT | 61109503 | 2 | 2 | 2 | 2 | | | | 999 |
| 43 | ANGLE, TOP SUPPORT | 61819703 | 1 | 1 | 1 | 1 | | | | 999 |
| 42 | ANGLE, WINGBOARDS | 61819805 | 2 | 2 | 2 | 2 | | | | 999 |
| OPTIONAL ACCESSORIES | | | | | | | | | | |
| * | ACCESSORY PKGE. | WIKL | | | | | 1 | 1 | 1 | |
| * | HARD START KIT | 61840900 | | 1 | 1 | 1 | | 1 | | |
| * | PARTS MANUAL | 92013200 | 1 | 1 | 1 | 1 | 1 | 1 | 1 | |
| * | SERVICE MANUAL | 92013100 | 1 | 1 | 1 | 1 | 1 | 1 | 1 | |
| * | INSTALLATION BOOK | 92003602 | 1 | 1 | 1 | 1 | 1 | 1 | 1 | |
| * | OPERATION BOOK | 92000206 | 1 | 1 | 1 | 1 | | | | |
| * | OPERATION BOOK | 92000306 | | | | | 1 | 1 | 1 | |

* PARTS NOT SHOWN

**"C" Series
Casement Chassis
Room Air Conditioner Section**

"SC" SERIES CABINET & MOUNTING PARTS



"SC" SERIES CHASSIS PARTS



CASEMENT CHASSIS "SC" SERIES PARTS LIST

| REF | DESCRIPTION | PART NO# | CASEMENT | CODE |
|----------------------------|-----------------------------|----------|----------|------|
| | ELECTRICAL PARTS | | SC06H10F | |
| | THERMOSTAT | 61350305 | 1 | 120 |
| | OVERLOAD | 61764509 | 1 | 190 |
| | CAPACITOR | 61380392 | 1 | 150 |
| | SUPPLY CORD | 60500094 | 1 | 220 |
| | SWITCH | 60895102 | 1 | 130 |
| | FAN MOTOR | 60571468 | 1 | 110 |
| REFRIGERATION SYSTEM PARTS | | | | |
| | COMPRESSOR | 61716602 | 1 | 600 |
| | EVAPORATOR COIL | 61600204 | 1 | 400 |
| | CONDENSER COIL | 61600347 | 1 | 410 |
| | CAPILLARY TUBE ASSY | 61697300 | 1 | 471 |
| | FILTER DRIER (LIQUID) | 61481300 | 1 | 480 |
| CHASSIS SYSTEM PARTS | | | | |
| | SHROUD, CONDENSER | 61076204 | 1 | 720 |
| | FAN BLADE, COND. | 60063411 | 1 | 710 |
| | BLOWER WHEEL, EVAP. | 60415201 | 1 | 700 |
| | RING, ORIFICE | 60232200 | 1 | 738 |
| | WRAPPER, BLOWER | 61107600 | 1 | 741 |
| | FRONT, BLOWER | 61076501 | 1 | 742 |
| | HOUSING, BLOWER | 61076801 | 1 | 740 |
| | DECK | 61077702 | 1 | 745 |
| | PANEL ASSEMBLY, L/S | 61077301 | 1 | 747 |
| | SCREEN, BLOWER GUARD | 61109001 | 1 | 774 |
| | BRACKET, CONTROL MOUNTING | 61075902 | 1 | 999 |
| | PANEL, CONTROL (DECORATIVE) | 60416203 | 1 | 760 |
| | KNOB, CONTROL | 61493903 | 2 | 761 |
| | COVER, BULKHEAD ASSLY. | 61076302 | 1 | 746 |
| | BRACE, COND.SHROUD | 61075502 | 1 | 722 |
| | COVER, CAPACITOR | 61074904 | 1 | 999 |
| | MOUNT, MOTOR | 61645402 | 1 | 900 |
| | CLIP, MOTOR MOUNT | 01060445 | 2 | 999 |
| | COVER, CONDENSER SHROUD | 61076101 | 1 | 721 |
| | BASE PAN ASSLY. | 61498705 | 1 | 730 |
| | DRAIN PAN | 60199801 | 1 | 840 |
| | TUBE, DRAIN | 60203200 | 1 | 800 |
| | GUARD, SPLASH | 61440300 | 1 | 999 |
| | FILTER, AIR | 60483801 | 1 | 754 |

* PARTS NOT SHOWN

CASEMENT CHASSIS "SC" SERIES PARTS LIST

| REF | DESCRIPTION | PART NO# | CASEMENT | CODE |
|--------------------------|--|----------|----------|------|
| | CHASSIS SYSTEM PARTS | | SC06H10F | |
| | GROMMET, COMPRESSOR | 01150931 | 3 | 790 |
| | NUT, COMPRESSOR | 91002300 | 3 | 999 |
| | WASHER, COMPRESSOR MT. | 01423005 | 3 | 999 |
| | CLIP, THERMOSTAT | 61715100 | 1 | 764 |
| | SHELL ASSEMBLY | 61580900 | 1 | 770 |
| | ANGLE, SHELL TOP SUPPORT | 61427001 | 1 | 999 |
| | SILL PLATE | 61074800 | 1 | 999 |
| | ANGLE, WINGBOARD ASSEMBLY (LIS) | 61427200 | 1 | 999 |
| | ANGLE, WINGBOARD ASSEMBLY (RIS) | 61427201 | 1 | 999 |
| | ANGLE ASSEMBLY - LEFT SIDE STUD | 61427101 | 1 | 999 |
| | ANGLE ASSEMBLY - RIGHT SIDE STUD | 61427103 | 1 | 999 |
| | GASKET, ANGLE TOP SHELL SUPPORT | 60467399 | 1 | 780 |
| | GASKET, WINGBOARDS | 60467377 | 2 | 780 |
| | BRACKETS, SUPPORT | 61109503 | 2 | 999 |
| * | SCRIPT, FRIEDRICH | 60169101 | 1 | 999 |
| * | NUT, FRIEDRICH SCRIPT | 91002900 | 2 | 999 |
| | GASKET, CHASSIS | 60073301 | 1 | 780 |
| | FRONT, DECORATIVE | 61077501 | 1 | 750 |
| * | HARDWARE KIT | 60714305 | 1 | 999 |
| | SHIPPING CARTON | 61630610 | 1 | 999 |
| | PAD, SHIPPING TOP | 61630802 | 1 | 999 |
| | PAD, SHIPPING TOP | 61632000 | 1 | 999 |
| | PAD, SHIPPING VERTICAL | 61631900 | 1 | 999 |
| | PAD, SHIPPING VERTICAL | 61631901 | 1 | 999 |
| OPTIONAL ACCESSORY ITEMS | | | | |
| | KIT, INSTALLATION (DOUBLE HUNG WINDOW) | 01900241 | 1 | |
| | ANTI-ICE KIT | 60553104 | 1 | |
| | START KIT | 61003803 | 1 | |
| | INSTALLATION BOOK | 92003500 | 1 | |
| | OPERATION BOOK | 92000604 | 1 | |
| | PARTS MANUAL | 92013200 | 1 | |
| | SERVICE MANUAL | 92013100 | 1 | |

* PARTS NOT SHOWN

Use Factory-Certified Parts.

Friedrich®

FRIEDRICH AIR CONDITIONING CO.

Post Office Box 1540 · San Antonio, Texas 78295-1540
4200 N. Pan Am Expressway · San Antonio, Texas 78218-5212
(210) 357-4400 · FAX (210) 357-4480

www.friedrich.com

Printed in the U.S.A.

920-132-00 (4-04)