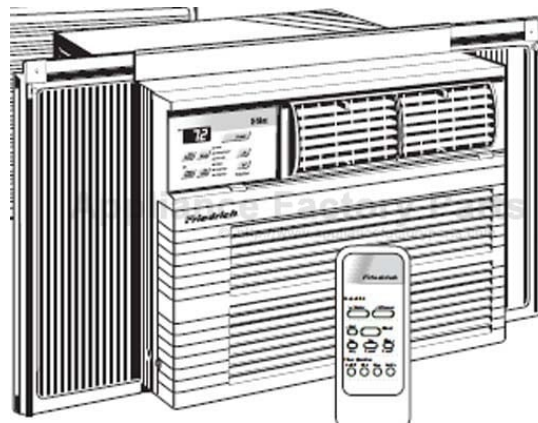


This Owner's Manual is provided and hosted by [Appliance Factory Parts](#).



FRIEDRICH XQ12L10A-A Owner's Manual

[Shop genuine replacement parts for FRIEDRICH
XQ12L10A-A](#)



[Find Your FRIEDRICH Air Conditioner Parts - Select From 1575 Models](#)

----- Manual continues below -----

Friedrich

2007 Parts Manual

Room Air Conditioners

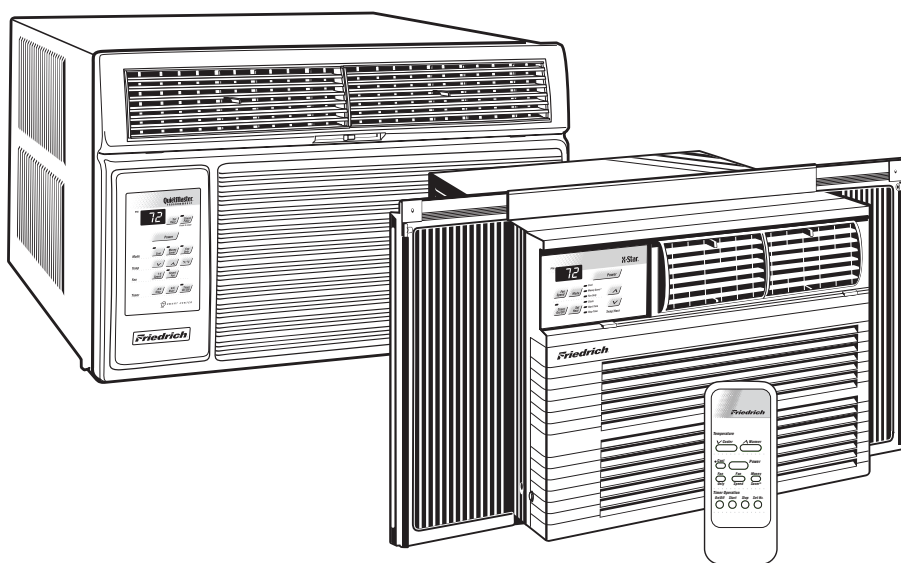
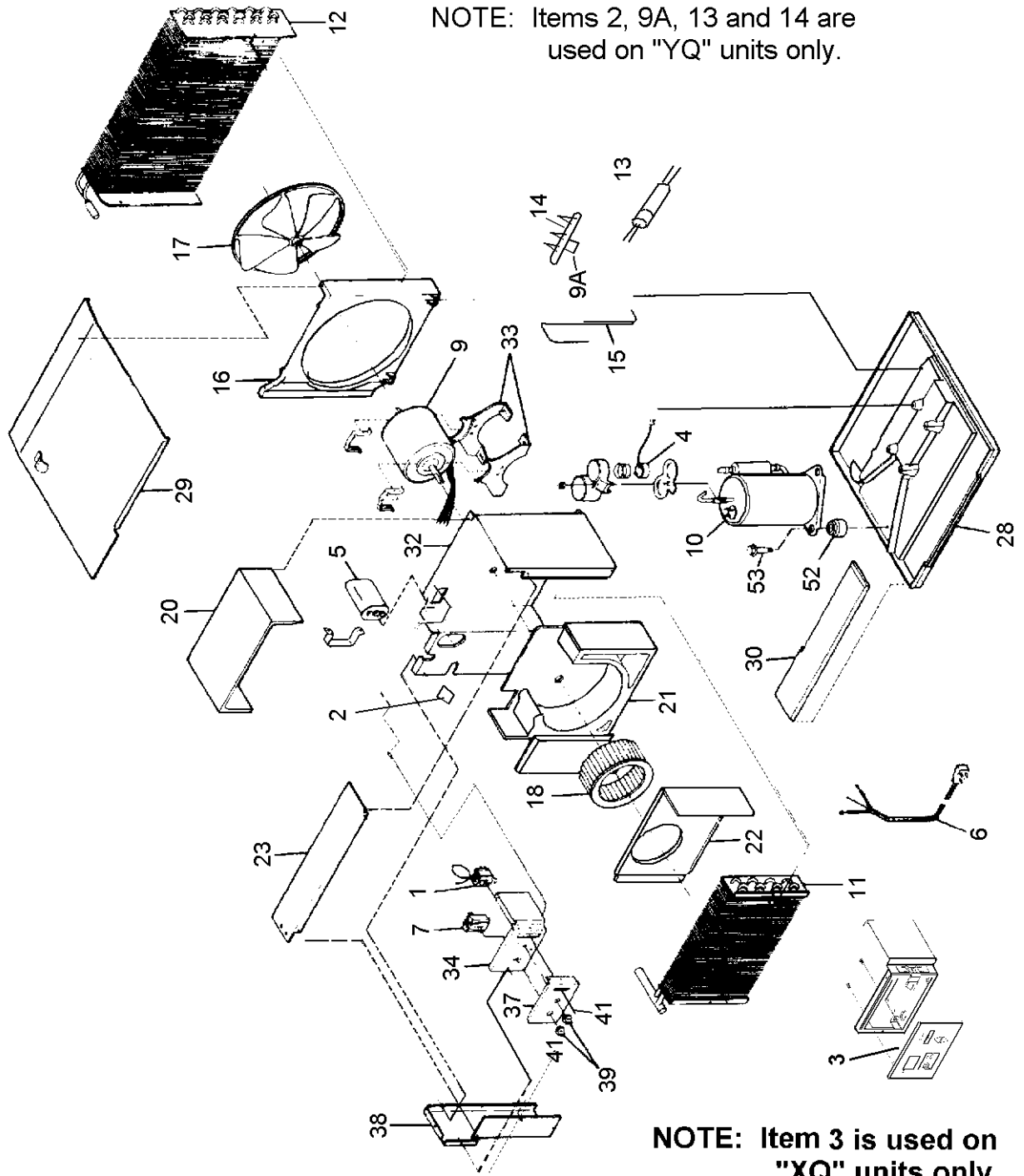


TABLE OF CONTENTS

| | |
|---|-------|
| PORTABLE "Q" SERIES UNITS | 4-8 |
| SMALL CHASSIS "S" SERIES UNITS (115 & 230 VOLT) | 9-16 |
| MEDIUM CHASSIS "M" SERIES UNITS (115 & 230 VOLT)..... | 17-21 |
| LARGE CHASSIS "L" SERIES UNITS | 22-25 |

PORTABLE "Q" SERIES

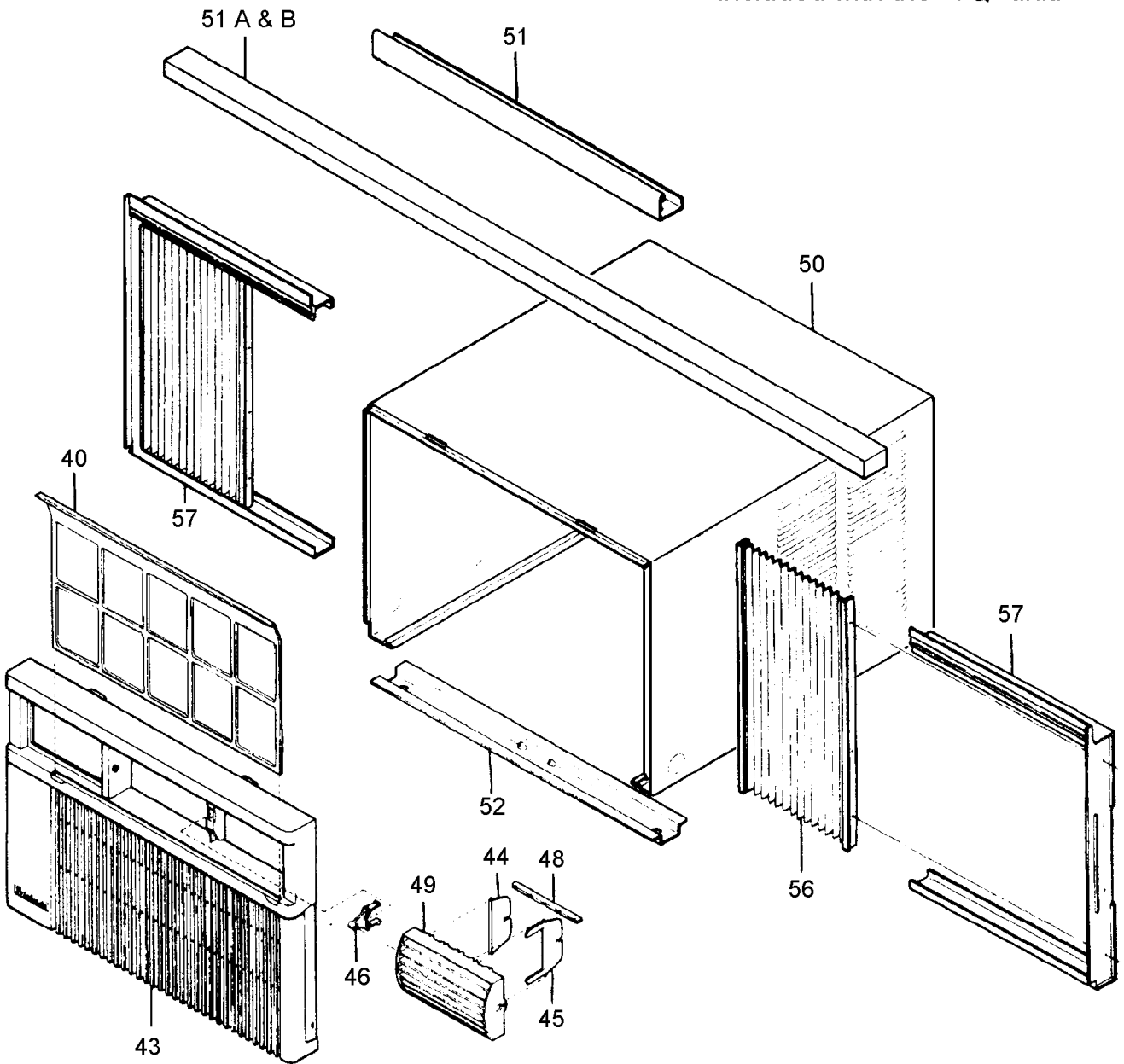
CABINET PARTS



PORTABLE "Q" SERIES

CABINET PARTS

NOTE: Items 51, 56 and 57 are not included with the "YQ" unit.



PORTABLE "Q" SERIES

| REF | DESCRIPTION | PART NO. | XQ | | | | | | EQ | YQ | | CODE | |
|-----|------------------------------|----------|------------|------------|------------|------------|------------|------------|------------|------------|------------|-------|-----|
| | | | XQ05L10A-A | XQ05L10A-B | XQ06L10A-B | XQ08L10A-A | XQ10L10A-A | XQ12L10A-A | EQ08L11A-A | YQ07L10A-A | YQ07L10A-B | | |
| | ELECTRICAL PARTS | | | | | | | | | | | | |
| 1 | THERMOSTAT | 61828401 | | | | | | | | | 1 | 1 | 120 |
| 1 | THERMOSTAT | 61822401 | | | | | | | 1 | | | | 120 |
| 2 | THERMOSTAT, DEFROST | 60442500 | | | | | | | | 1 | 1 | | 122 |
| 3 | ELECTRONIC BOARD | 61921192 | 1 | 1 | 1 | 1 | 1 | 1 | | | | | 340 |
| * | REMOTE CONTROL | 61826606 | 1 | 1 | 1 | 1 | 1 | 1 | | | | | 350 |
| * | RESISTOR | 61900500 | | | | | | | 1 | 1 | 1 | | 200 |
| 4 | OVERLOAD | 61764528 | | | | | | 1 | | | | | 190 |
| 4 | OVERLOAD | 61764539 | 1 | 1 | 1 | | | | | | | | 190 |
| 4 | OVERLOAD | 61764519 | | | | | 1 | | | | | | 190 |
| 4 | OVERLOAD | 61764507 | | | | 1 | | | 1 | 1 | 1 | | 190 |
| 5 | CAPACITOR | 61080570 | | | | | | 1 | | | | | 150 |
| 5 | CAPACITOR | 61080550 | 1 | 1 | 1 | 1 | | | 1 | 1 | 1 | | 150 |
| 5 | CAPACITOR | 61080528 | | | | | 1 | | | | | | 150 |
| 6 | SUPPLY CORD | 60500330 | 1 | 1 | 1 | 1 | 1 | 1 | 1 | 1 | 1 | | 220 |
| 7 | SWITCH ROTARY 6 POS | 60441607 | | | | | | | | | 1 | 1 | 130 |
| 7 | SWITCH ROTARY 6 POS | 60441610 | | | | | | | 1 | | | | 130 |
| * | HEATER | 61929611 | | | | | | | 1 | | | | 193 |
| 9 | FAN MOTOR | 61871468 | | | | | | 1 | | | | | 110 |
| 9 | FAN MOTOR | 61871451 | 1 | 1 | 1 | 1 | 1 | | | | | | 110 |
| 9 | FAN MOTOR | 61871452 | | | | | | | 1 | 1 | 1 | | 110 |
| 9A | SOLENOID, REV. VALVE | 25063505 | | | | | | | | | | 1 | 240 |
| * | SOLENOID and REVERSING VALVE | 25022022 | | | | | | | | | 1 | | 240 |
| | REFRIGERATION PARTS | | | | | | | | | | | | |
| 10 | COMPRESSOR | 61562832 | | | | 1 | | | 1 | 1 | 1 | | 600 |
| 10 | COMPRESSOR | 61716671 | | | | | 1 | | | | | | 600 |
| 10 | COMPRESSOR | 61985100 | | | 1 | | | | | | | | 600 |
| 10 | COMPRESSOR | 61985101 | 1 | 1 | | | | | | | | | 600 |
| 10 | COMPRESSOR | 61716670 | | | | | | 1 | | | | | 600 |
| 11 | EVAPORATOR COIL | 61600257 | | | 1 | | | | | 1 | | | 400 |
| 11 | EVAPORATOR COIL | 61600258 | | | | 1 | | | 1 | | 1 | | 400 |
| 11 | EVAPORATOR COIL | 61600268 | 1 | 1 | | | | | | | | | 400 |
| 11 | EVAPORATOR COIL | 62050018 | | | | | 1 | | | | | | 400 |
| 11 | EVAPORATOR COIL | 62050020 | | | | | | 1 | | | | | 400 |
| 12 | CONDENSER COIL | 61600352 | 1 | | | | | | | | | | 410 |
| 12 | CONDENSER COIL | 61600519 | | 1 | 1 | 1 | | | 1 | | 1 | | 410 |
| 12 | CONDENSER COIL | 62050319 | | | | | 1 | | | | | | 410 |
| 12 | CONDENSER COIL | 61600515 | | | | | | | | | 1 | | 410 |
| 12 | CONDENSER COIL | 62103404 | | | | | | 1 | | | | | 410 |
| * | DRIER, LIQUID | 61481300 | 1 | 1 | 1 | 1 | 1 | 1 | 1 | | | | 480 |
| * | DRIER, SUCTION | 61828200 | | | | | | | | | 1 | 1 | 480 |
| 13 | CHECK VALVE | 61824400 | | | | | | | | | 1 | 1 | 510 |
| 14 | REVERSING VALVE | 25018305 | | | | | | | | | | 1 | 500 |
| * | SOLENOID and REVERSING VALVE | 25022022 | | | | | | | | | 1 | | 500 |
| 15 | CAPILLARY TUBE | 03760473 | | | | | | 1 | | | | | 471 |
| 15 | CAPILLARY TUBE | 03760520 | | | | | 1 | | | | | | 471 |
| 15 | CAPILLARY TUBE | 03760545 | 1 | 1 | 1 | | | | | | | 1-HTG | 471 |
| 15 | CAPILLARY TUBE | 03760513 | | | | 1 | | | 1 | | | | 471 |
| 15 | CAPILLARY TUBE (HTG) | 03760500 | | | | | | | | | 1 | | 471 |
| 15 | CAPILLARY TUBE (CLG) | 03760554 | | | | | | | | | 1 | 1 | 471 |

* PARTS NOT SHOWN

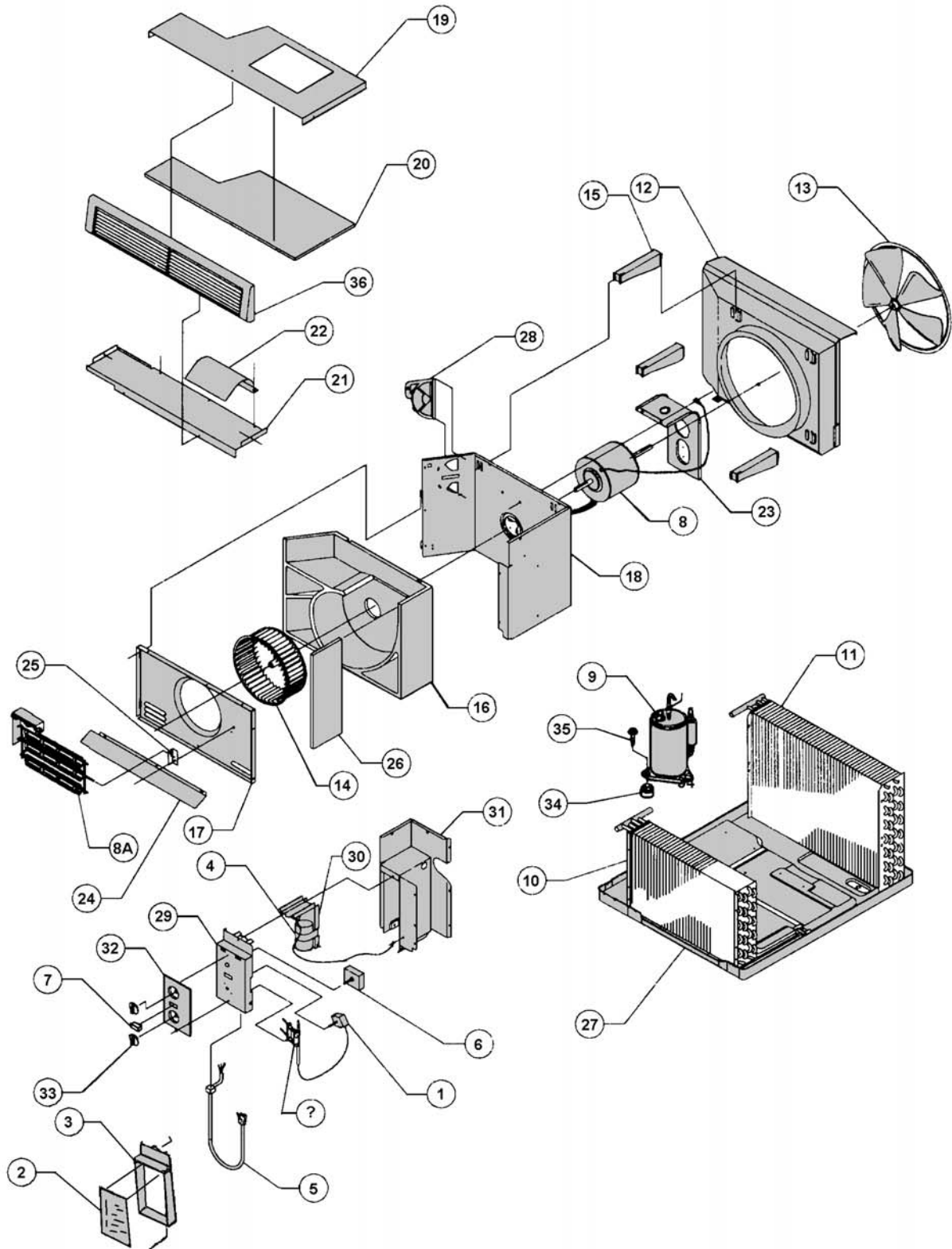
PORTABLE "Q" SERIES

| REF | DESCRIPTION | PART NO. | XQ | | | | | | EQ | YQ | | CODE |
|-----------------------------|----------------------|----------|------------|------------|------------|------------|------------|------------|------------|------------|------------|------|
| | | | XQ05L10A-A | XQ05L10A-B | XQ06L10A-B | XQ08L10A-A | XQ10L10A-A | XQ12L10A-A | EQ08L11A-A | YQ07L10A-A | YQ07L10A-B | |
| CHASSIS PARTS | | | | | | | | | | | | |
| 16 | SHROUD, CONDENSER | 61627601 | 1 | 1 | 1 | 1 | 1 | 1 | 1 | 1 | 1 | 720 |
| 17 | FAN BLADE | 61634000 | | | | | | 1 | | | | 710 |
| 17 | FAN BLADE | 61634001 | 1 | 1 | 1 | 1 | 1 | 1 | 1 | 1 | 1 | 710 |
| 18 | BLOWER WHEEL | 60610604 | | | | | | 1 | | | | 700 |
| 18 | BLOWER WHEEL | 60610606 | 1 | 1 | 1 | | | | | 1 | 1 | 700 |
| 18 | BLOWER WHEEL | 60610612 | | | | 1 | 1 | | 1 | | | 700 |
| 20 | COVER BLOWER | 61619513 | 1 | 1 | 1 | 1 | 1 | | 1 | 1 | 1 | 745 |
| 20 | COVER BLOWER | 61619517 | | | | | | 1 | | | | 745 |
| 21 | WRAPPER, SCROLL, | 61990605 | 1 | 1 | 1 | 1 | 1 | 1 | 1 | 1 | 1 | 741 |
| 22 | FRONT, BLOWER | 61928801 | | | | | | | 1 | | | 742 |
| 22 | FRONT, BLOWER | 61990700 | 1 | 1 | 1 | 1 | 1 | 1 | | 1 | 1 | 742 |
| 23 | DECK, BLOWER | 61619405 | | | | | | | 1 | | | 745 |
| 23 | DECK, BLOWER | 61990500 | 1 | 1 | 1 | 1 | 1 | 1 | | 1 | 1 | 745 |
| 28 | BASE PAN | 61626312 | 1 | 1 | 1 | 1 | | | | 1 | 1 | 730 |
| 28 | BASE PAN | 61626313 | | | | | 1 | 1 | | | | 730 |
| 28 | BASE PAN | 61626314 | | | | | | | 1 | | | 730 |
| 29 | COVER, UNIT TOP | 61619513 | 1 | 1 | 1 | 1 | 1 | 1 | 1 | 1 | 1 | 746 |
| 30 | DRAIN PAN, EVAP. | 61638400 | 1 | 1 | 1 | 1 | 1 | 1 | 1 | 1 | 1 | 840 |
| 32 | INNER WALL | 61597317 | 1 | 1 | 1 | 1 | 1 | 1 | | | | 777 |
| 32 | INNER WALL | 61597316 | | | | | | | | 1 | 1 | 777 |
| 32 | INNER WALL | 61597318 | | | | | | | 1 | | | 777 |
| 33 | FAN MOTOR MOUNT | 61776900 | | | | | | 1 | | | | 900 |
| 33 | FAN MOTOR MOUNT | 61776903 | 1 | 1 | 1 | 1 | 1 | 1 | 1 | 1 | 1 | 900 |
| * | SCREW, FAN MTR. MT. | 21004672 | 4 | 4 | 4 | 4 | 4 | 4 | 4 | 4 | 4 | 999 |
| 34 | CONTROL MT. BRACKET | 61619612 | | | | | | | 1 | 1 | 1 | 763 |
| 34 | CONTROL MT. BRACKET | 61923901 | 1 | 1 | 1 | 1 | 1 | 1 | | | | 763 |
| 37 | CONTROL DEC. PANEL | 61715921 | | | | | | | 1 | 1 | 1 | 760 |
| 38 | PANEL ASSLY, L/S | 61924300 | | | | | 1 | 1 | | | | 765 |
| 38 | PANEL ASSLY, L/S | 61924900 | 1 | 1 | 1 | 1 | | | 1 | 1 | 1 | 765 |
| 39 | CONTROL KNOBS | 61911605 | | | | | | | 2 | 2 | 2 | 761 |
| * | HOLDER, TSTAT BULB | 61900500 | | | | | | | 1 | 1 | 1 | 764 |
| * | HOLDER, THERMISTER | 61925001 | 1 | 1 | 1 | 1 | 1 | 1 | | | | 764 |
| 40 | FILTER, AIR | 61632315 | 1 | 1 | 1 | 1 | 1 | 1 | 1 | 1 | 1 | 754 |
| * | LINK EXHAUST DOOR | 61639301 | 1 | 1 | 1 | 1 | 1 | 1 | | | | 811 |
| * | EXHAUST DOOR | 61632202 | 1 | 1 | 1 | 1 | 1 | 1 | | | | 810 |
| * | WIRE CLIP, EXHAUST | 60301800 | 1 | 1 | 1 | 1 | 1 | 1 | | | | 999 |
| * | SLIDE EXHAUST DOOR | 61923802 | 1 | 1 | 1 | 1 | 1 | 1 | | | | 999 |
| 43 | FRONT, DECORATIVE | 61637716 | 1 | 1 | 1 | 1 | 1 | 1 | 1 | 1 | 1 | 750 |
| 50 | SHELL, OUTER ASSY | 61623001 | 1 | 1 | 1 | 1 | 1 | 1 | 1 | 1 | 1 | 720 |
| 51 | ANGLE, TOP SUPPORT | 61627313 | 1 | 1 | 1 | 1 | 1 | 1 | | | | 999 |
| 52 | CHANNEL, SILL | 61627211 | 1 | 1 | 1 | 1 | 1 | 1 | 1 | 1 | 1 | 999 |
| * | SCRIPT, FRIEDRICH | 60169110 | 1 | 1 | 1 | 1 | 1 | 1 | 1 | 1 | 1 | 999 |
| 51A | GASKET, CHASSIS SEAL | 61717300 | 1 | 1 | 1 | 1 | 1 | 1 | 1 | 1 | 1 | 780 |
| 51B | GASKET, WINDOW SEAL | 60073300 | 1 | 1 | 1 | 1 | 1 | 1 | | | | 780 |
| * | BAG ASSLY (SCREWS) | 61778700 | 1 | 1 | 1 | 1 | 1 | 1 | | | | 999 |
| * | BAG ASSLY (SCREWS) | 61778701 | | | | | | | 1 | 1 | 1 | 999 |
| * | COUNTER WEIGHT | 61715800 | 2 | 2 | 2 | 2 | 1 | 1 | 2 | 2 | 2 | 999 |
| * | SEAL, FAN MOTOR | 60217902 | 1 | 1 | 1 | 1 | 1 | 1 | 1 | 1 | 1 | 780 |
| 52 | GROMMET, COMP. MT. | 61028900 | 3 | 3 | 3 | 3 | 3 | 3 | 3 | 3 | 3 | 790 |
| 53 | SCREW, COMP. MT. | 91400400 | 3 | 3 | 3 | 3 | 3 | 3 | 3 | 3 | 3 | 999 |
| 56 | CURTAIN ASSLY. | 61680205 | 1 | 1 | 1 | 1 | 1 | 1 | | | | 999 |
| * | CARTON, SHIPPING | 61841918 | 1 | 1 | 1 | 1 | 1 | 1 | 1 | 1 | 1 | 999 |
| * | PAD SHIPPING TOP | 61769700 | 1 | 1 | 1 | 1 | 1 | 1 | 1 | 1 | 1 | 999 |
| * | PAD SHIPPING BOTTOM | 61716400 | 1 | 1 | 1 | 1 | 1 | 1 | 1 | 1 | 1 | 999 |
| OPTIONAL ACCESSORIES | | | | | | | | | | | | |
| * | ANTI-ICE KIT | 61680600 | | | | | | | 1 | 1 | 1 | |
| * | START ASSIST (PTCR) | 61008903 | 1 | 1 | 1 | 1 | 1 | 1 | 1 | 1 | 1 | |
| * | DRAIN KIT, DC-2 | 01900235 | 1 | 1 | 1 | 1 | 1 | 1 | 1 | 1 | 1 | |

* PARTS NOT SHOWN

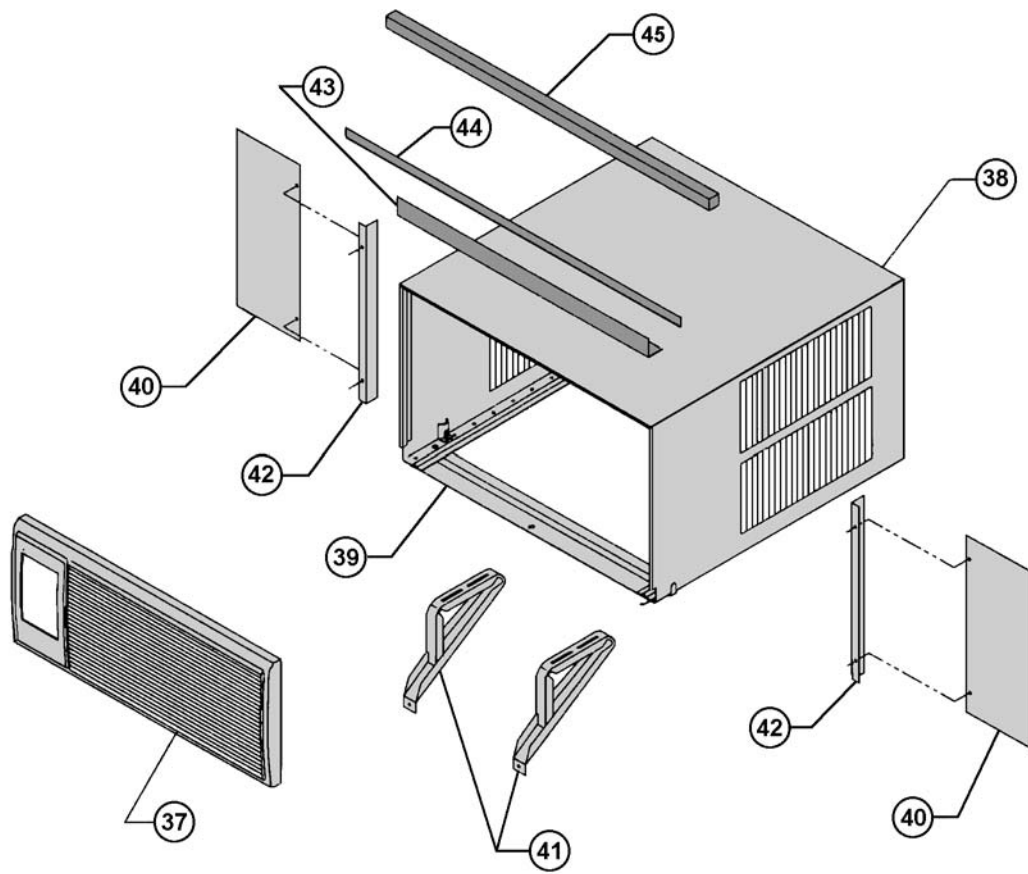
SMALL CHASSIS "S" SERIES

CHASSIS PARTS (ES, SS & YS)



SMALL CHASSIS "S" SERIES

CHASSIS PARTS (ES, SS & YS)



SMALL CHASSIS "S" SERIES - 115V

| REF | DESCRIPTION | PART NO. | KS | | | SS | | | | | YS | | CODE |
|-----|-------------------------------------|----------|-----------|-----------|-----------|-----------|-----------|-----------|-----------|-----------|-----------|-----------|------|
| | | | KS12L10-C | KS12L10-D | KS15L10-B | SS08L10-C | SS08L10-D | SS10L10-C | SS12L10-D | SS14L10-C | YS09L10-D | YS09L10-E | |
| | ELECTRICAL PARTS | | | | | | | | | | | | |
| 1 | THERMOSTAT | 61828500 | 1 | 1 | 1 | | | | | | | | 120 |
| 1 | THERMOSTAT | 61828400 | | | | | | | | | 1 | 1 | 120 |
| * | THERMOSTAT, DEFROST | 61350314 | | | | | | | | | 1 | 1 | 122 |
| 2 | ELECTRONIC CTRL. | 61921193 | | | | 1 | 1 | 1 | 1 | 1 | | | 331 |
| * | REMOTE CONTROL | 61826606 | | | | 1 | 1 | 1 | 1 | 1 | | | 350 |
| 3 | RESISTOR | 61808000 | 1 | 1 | 1 | | | | | | 1 | 1 | 200 |
| * | OVERLOAD | 61764519 | 1 | 1 | | | | 1 | 1 | | 1 | 1 | 190 |
| * | OVERLOAD | 61764544 | | | 1 | | | | | 1 | | | 190 |
| * | OVERLOAD | 61764507 | | | | 1 | 1 | | | | | | 190 |
| 4 | CAPACITOR | 61080535 | | | | 1 | 1 | | | | 1 | 1 | 150 |
| 4 | CAPACITOR | 61080554 | | | | | | 1 | | | | | 150 |
| 4 | CAPACITOR | 61080569 | 1 | 1 | 1 | | | | 1 | 1 | | | 150 |
| 5 | SUPPLY CORD | 60500321 | 1 | 1 | 1 | 1 | 1 | 1 | 1 | 1 | 1 | 1 | 220 |
| 6 | SWITCH SYS. 6 POS. | 60607205 | 1 | 1 | 1 | | | | | | | | 130 |
| 6 | SWITCH SYS. 8 POS. | 60607204 | | | | | | | | | 1 | 1 | 130 |
| 7 | SWITCH (YES - NO) | 61806105 | 1 | 1 | 1 | | | | | | 1 | 1 | 132 |
| 8 | FAN MOTOR | 61871444 | 1 | 1 | 1 | 1 | 1 | 1 | 1 | 1 | 1 | 1 | 110 |
| * | SOLENOID COIL | 25063505 | | | | | | | | | | 1 | 240 |
| * | SOLENOID and REVERSING VALVE | 25022022 | | | | | | | | | 1 | | 500 |
| | REFRIGERATION PARTS | | | | | | | | | | | | |
| 9 | COMPRESSOR | 61716641 | | | | | | 1 | | | | | 600 |
| 9 | COMPRESSOR | 61716671 | 1 | 1 | | | | | 1 | | | | 600 |
| 9 | COMPRESSOR | 61716653 | | | 1 | | | | | 1 | | | 600 |
| 9 | COMPRESSOR | 61562832 | | | | 1 | 1 | | | | | | 600 |
| 9 | COMPRESSOR | 61716665 | | | | | | | | | 1 | 1 | 600 |
| 10 | EVAPORATOR COIL | 62050014 | | | 1 | | | | 1 | 1 | | | 400 |
| 10 | EVAPORATOR COIL | 61850101 | | | | 1 | 1 | | | | | | 400 |
| 10 | EVAPORATOR COIL | 61850100 | 1 | 1 | | | | 1 | | | 1 | 1 | 400 |
| 11 | CONDENSER COIL | 61850303 | | | | 1 | | | | | | 1 | 410 |
| 11 | CONDENSER COIL | 61850217 | 1 | | | | | | | | | | 410 |
| 11 | CONDENSER COIL | 61850302 | | | | | | 1 | | | 1 | | 410 |
| 11 | CONDENSER COIL | 62050317 | | 1 | | | 1 | | 1 | | | | 410 |
| 11 | CONDENSER COIL | 62050302 | | | 1 | | | | | 1 | | | 410 |
| * | DRIER, LIQUID | 60308101 | 1 | 1 | 1 | 1 | 1 | 1 | 1 | 1 | | | 480 |
| * | DRIER, SUCTION | 61828200 | 1 | 1 | | | | | | | 1 | 1 | 480 |
| * | CHECK VALVE | 61824400 | | | | | | | | | 1 | 1 | 510 |
| * | REVERSING VALVE | 25018305 | | | | | | | | | | 1 | 500 |
| * | REVERSING VALVE & SOLENOID | 25022022 | | | | | | | | | 1 | | 500 |
| * | CAPILLARY TUBE | 03760518 | | | | | 1 | | | | | | 471 |
| * | CAPILLARY TUBE | 03760520 | | | | | | 1 | | | | | 471 |
| * | CAPILLARY TUBE | 03760473 | 1 | 1 | | | | | 1 | | | | 471 |
| * | CAPILLARY TUBE | 03760548 | | | | 1 | | | | | | | 471 |
| * | CAPILLARY TUBE | 03760501 | | | 1 | | | | | 1 | | | 471 |
| * | CAPILLARY TUBE | 03760452 | | | | | | | | | 1 | 1 | 471 |
| * | CAPILLARY TUBE | 03760556 | | | | | | | | | 1 | 1 | 471 |

* PARTS NOT SHOWN

SMALL CHASSIS "S" SERIES - 115V

| REF | DESCRIPTION | PART NO. | KS | | | SS | | | | | YS | | CODE |
|-----|--------------------------|----------|-----------|-----------|-----------|-----------|-----------|-----------|-----------|-----------|-----------|-----------|------|
| | | | KS12L10-C | KS12L10-D | KS15L10-B | SS08L10-C | SS08L10-D | SS10L10-C | SS12L10-D | SS14L10-C | YS09L10-D | YS09L10-E | |
| | CHASSIS PARTS | | | | | | | | | | | | |
| 12 | SHROUD, SML W/SUMP LOOP | 61803601 | 1 | 1 | 1 | 1 | 1 | 1 | 1 | 1 | 1 | 1 | 720 |
| 13 | FAN BLADE, CONDENSER | 60542003 | 1 | 1 | 1 | 1 | 1 | 1 | 1 | 1 | 1 | 1 | 710 |
| 14 | BLOWER WHEEL, EVAPORATOR | 60610603 | 1 | 1 | 1 | | | | 1 | | 1 | 1 | 700 |
| 14 | BLOWER WHEEL, EVAPORATOR | 60610604 | | | | 1 | 1 | 1 | | 1 | | | 700 |
| 15 | BRACE, COND. SHROUD | 61802600 | 3 | 3 | 3 | 3 | 3 | 3 | 3 | 3 | 3 | 3 | 722 |
| 16 | SCROLL | 61814905 | 1 | 1 | 1 | 1 | 1 | 1 | 1 | 1 | 1 | 1 | 743 |
| 17 | BLOWER FRONT | 61817300 | 1 | 1 | 1 | 1 | 1 | 1 | 1 | 1 | 1 | 1 | 742 |
| * | INSULATION, INNER WALL | 61816900 | 1 | 1 | 1 | 1 | 1 | 1 | 1 | 1 | 1 | 1 | 781 |
| 18 | INNER WALL | 61907300 | 1 | 1 | 1 | 1 | 1 | 1 | 1 | 1 | 1 | 1 | 777 |
| 19 | COVER, TOP | 61906700 | 1 | 1 | 1 | 1 | 1 | 1 | 1 | 1 | 1 | 1 | 746 |
| 20 | INSULATION, TOP COVER | 61816701 | 1 | 1 | 1 | 1 | 1 | 1 | 1 | 1 | 1 | 1 | 781 |
| 21 | DECK | 61817100 | 1 | 1 | 1 | 1 | 1 | 1 | 1 | 1 | 1 | 1 | 745 |
| 22 | AIR FOIL | 61820200 | 1 | 1 | 1 | 1 | 1 | 1 | 1 | 1 | 1 | 1 | 744 |
| 23 | MOUNT, FAN MOTOR | 61802500 | 1 | 1 | 1 | 1 | 1 | 1 | 1 | 1 | 1 | 1 | 900 |
| 27 | BASE PAN | 61803439 | | | | 1 | 1 | | | | | | 730 |
| 27 | BASE PAN | 61803441 | 1 | 1 | 1 | | | 1 | 1 | 1 | | | 730 |
| 27 | BASE PAN | 61809013 | | | | | | | | | 1 | 1 | 730 |
| * | DRAIN PAN | 61803800 | 1 | 1 | 1 | 1 | 1 | 1 | 1 | 1 | 1 | 1 | 840 |
| * | BELLOWS, DRAIN VALVE | 60179903 | | | | | | | | | 1 | 1 | 801 |
| * | GRILLE, REAR | 61818500 | 1 | 1 | 1 | 1 | 1 | 1 | 1 | 1 | 1 | 1 | 771 |
| 28 | DOOR, SLIDE ASSLY. | 61821500 | 1 | 1 | 1 | 1 | 1 | 1 | 1 | 1 | 1 | 1 | 810 |
| * | CONNECTOR, SLIDE DOOR | 61814800 | 1 | 1 | 1 | 1 | 1 | 1 | 1 | 1 | 1 | 1 | 811 |
| 29 | PANEL, CTRL. MT. | 61807250 | 1 | 1 | 1 | | | | | | 1 | 1 | 999 |
| 29 | PANEL, CTRL. MT. | 61807251 | | | | 1 | 1 | 1 | 1 | 1 | | | 999 |
| 30 | BRACKET, CAP. MT | 61820400 | 1 | 1 | 1 | 1 | 1 | 1 | 1 | 1 | 1 | 1 | 999 |
| * | PANEL, L/S | 61937200 | 1 | 1 | 1 | 1 | 1 | 1 | 1 | 1 | 1 | 1 | 999 |
| 31 | PARTITION, CTRL. BOX | 61802800 | 1 | 1 | 1 | 1 | 1 | 1 | 1 | 1 | 1 | 1 | 999 |
| 32 | DECORATIVE PANEL | 61822658 | 1 | 1 | 1 | | | | | | | | 999 |
| 32 | DECORATIVE PANEL | 61823350 | | | | | | | | | 1 | 1 | 999 |
| 33 | KNOBS, CTRL. | 61493906 | 2 | 2 | 2 | | | | | | 2 | 2 | 761 |
| * | HOLDER, THERMISTER | 61925001 | | | | 1 | 1 | 1 | 1 | 1 | | | 764 |
| * | HOLDER, AIR FILTER | 60865900 | 2 | 2 | 2 | 2 | 2 | 2 | 2 | 2 | 2 | 2 | 756 |
| * | FILTER, AIR | 60865808 | 1 | 1 | 1 | 1 | 1 | 1 | 1 | 1 | 1 | 1 | 754 |
| * | CLAMP, SUPPLY CORD | 91500305 | 2 | 2 | 2 | 2 | 2 | 2 | 2 | 2 | 2 | 2 | 999 |
| * | BRACKET, RESISTO BLOCK | 61820600 | 1 | 1 | 1 | | | | | | 1 | 1 | 999 |
| 34 | GROMMET, COMPRESSOR | 61028900 | 3 | 3 | 3 | 3 | 3 | 3 | 3 | 3 | 3 | 3 | 790 |
| 35 | SCREW, COMPRESSOR MT. | 91400400 | 3 | 3 | 3 | 3 | 3 | 3 | 3 | 3 | 3 | 3 | 999 |
| * | COUNTER WEIGHT | 61715800 | 3 | 3 | 3 | 3 | 3 | 3 | 3 | 3 | 3 | 3 | 999 |
| 36 | PLENUM ASSLY. | 61810206 | 1 | 1 | 1 | 1 | 1 | 1 | 1 | 1 | 1 | 1 | 753 |

* PARTS NOT SHOWN

SMALL CHASSIS "S" SERIES - 115V

| | DESCRIPTION | PART NO. | KS | | | SS | | | | | YS | | CODE |
|-----------------------------|------------------------|-----------------|-----------|-----------|-----------|-----------|-----------|-----------|-----------|-----------|-----------|-----------|------|
| | | | KS12L10-C | KS12L10-D | KS15L10-B | SS08L10-C | SS08L10-D | SS10L10-C | SS12L10-D | SS14L10-C | YS09L10-D | YS09L10-E | |
| | CHASSIS PARTS | | | | | | | | | | | | |
| * | LEVER, FRESH & EXHAUST | 61809205 | 1 | 1 | 1 | 1 | 1 | 1 | 1 | 1 | 1 | 1 | 813 |
| * | KNOB, FRESH & EXHAUST | 61809305 | 1 | 1 | 1 | 1 | 1 | 1 | 1 | 1 | 1 | 1 | 814 |
| 37 | INTAKE GRILLE | 61808906 | 1 | 1 | 1 | 1 | 1 | 1 | 1 | 1 | 1 | 1 | 772 |
| * | LATCH, INTAKE GRILLE | 61989000 | 2 | 2 | 2 | 2 | 2 | 2 | 2 | 2 | 2 | 2 | 752 |
| 38 | OUTER SHELL ASSLY | 61825705 | 1 | 1 | 1 | 1 | 1 | 1 | 1 | 1 | 1 | 1 | 770 |
| 39 | SILL PLATE | 61808413 | 1 | 1 | 1 | 1 | 1 | 1 | 1 | 1 | 1 | 1 | 999 |
| * | CHASSIS GUIDE, SHELL | 61819601 | 2 | 2 | 2 | 2 | 2 | 2 | 2 | 2 | 2 | 2 | 999 |
| * | FRIEDRICH SCRIPT | 60169110 | 1 | 1 | 1 | 1 | 1 | 1 | 1 | 1 | 1 | 1 | 999 |
| * | PUSHNUTS, SCRIPT | 91002900 | 2 | 2 | 2 | 2 | 2 | 2 | 2 | 2 | 2 | 2 | 999 |
| 40 | WINGBOARD | 60294415 | 1 | 1 | 1 | 1 | 1 | 1 | 1 | 1 | | | 999 |
| 41 | BRACKET, SUPPORT | 61109513 | 2 | 2 | 2 | 2 | 2 | 2 | 2 | 2 | | | 999 |
| 42 | ANGLE, WINGBOARD | 61819811 | 2 | 2 | 2 | 2 | 2 | 2 | 2 | 2 | | | 999 |
| 43 | ANGLE, TOP | 61819711 | 1 | 1 | 1 | 1 | 1 | 1 | 1 | 1 | | | 999 |
| 44 | GASKET, VINYL. | 60610304 | 1 | 1 | 1 | 1 | 1 | 1 | 1 | 1 | | | 780 |
| * | HARDWARE BAG(SCREWS) | 60846016 | 1 | 1 | 1 | 1 | 1 | 1 | 1 | 1 | | | 999 |
| 45 | GASKET, CHASSIS. | 61717301 | 1 | 1 | 1 | 1 | 1 | 1 | 1 | 1 | 1 | 1 | 780 |
| 45 | GASKET, WINDOW. | 60610304 | 1 | 1 | 1 | 1 | 1 | 1 | 1 | 1 | | | 780 |
| * | CARTON, SHIPPING | 61839801 | 1 | 1 | 1 | 1 | 1 | 1 | 1 | 1 | 1 | 1 | 999 |
| OPTIONAL ACCESSORIES | | | | | | | | | | | | | |
| * | WINDOW KIT | WIKS | | | | | | | | | | 1 | 1 |
| * | DRAIN KIT, DC-2 | 01900235 | 1 | 1 | 1 | 1 | 1 | 1 | 1 | 1 | 1 | 1 | 999 |
| * | START KIT, CAP.RELAY | 61008903 | 1 | 1 | 1 | 1 | 1 | 1 | 1 | 1 | 1 | 1 | 160 |
| * | ANTI-ICE KIT | 61680600 | 1 | 1 | 1 | 1 | 1 | 1 | 1 | 1 | 1 | 1 | 250 |

* PARTS NOT SHOWN

SMALL CHASSIS "S" SERIES - 230V

| REF | DESCRIPTION | PART NO. | ES | | | SS | | | YS | | CODE |
|----------------------------|-------------------------------------|----------|-----------|-----------|-----------|-----------|-----------|-----------|-----------|-----------|------|
| | | | ES12L33-B | ES12L33-C | ES16L33-B | SS12L30-C | SS12L30-D | SS16L30-C | YS13L33-B | YS13L33-C | |
| ELECTRICAL PARTS | | | | | | | | | | | |
| 1 | THERMOSTAT | 61828400 | 1 | 1 | 1 | | | | 1 | 1 | 120 |
| * | RESISTOR | 61808001 | 1 | 1 | 1 | | | | 1 | 1 | 200 |
| * | THERMOSTAT, DEFROST | 61350314 | | | | | | | 1 | 1 | 122 |
| * | REMOTE CONTROL | 61826606 | | | | 1 | 1 | 1 | | | 399 |
| 2 | ELECTRONIC CTR. | 61921194 | | | | 1 | 1 | 1 | | | 331 |
| * | OVERLOAD | 61764521 | | | | 1 | | | 1 | 1 | 190 |
| * | OVERLOAD | 61764556 | | | 1 | | | 1 | | | 190 |
| * | OVERLOAD | 61764540 | 1 | 1 | | 1 | 1 | | | | 190 |
| 4 | CAPACITOR | 61080534 | | | 1 | | | 1 | | | 150 |
| 4 | CAPACITOR | 61080536 | 1 | 1 | | 1 | 1 | | 1 | 1 | 150 |
| 5 | SUPPLY CORD | 60500323 | 1 | 1 | 1 | | | | 1 | 1 | 220 |
| 5 | SUPPLY CORD | 60500322 | | | | 1 | 1 | 1 | | | 220 |
| 6 | SWITCH, SYS. 8 POS. | 60607204 | 1 | 1 | 1 | | | | 1 | 1 | 130 |
| 7 | SWITCH (YES - NO) | 61806105 | 1 | 1 | 1 | | | | 1 | 1 | 132 |
| 8 | FAN MOTOR | 61871441 | 1 | 1 | 1 | 1 | 1 | 1 | 1 | 1 | 110 |
| * | SOLENOID | 25063605 | | | | | | | | 1 | 240 |
| * | SOLENOID and REVERSING VALVE | 25022022 | | | | | | | 1 | | 240 |
| 8A | HEATER | 61878610 | 1 | 1 | 1 | | | | 1 | 1 | 210 |
| * | FUSE LINK | 61596301 | 1 | 1 | 1 | | | | 1 | 1 | 192 |
| * | LIMITER, HEATER | 61827902 | 1 | 1 | 1 | | | | 1 | 1 | 193 |
| REF | DESCRIPTION | PART NO. | ES | | | SS | | | YS | | CODE |
| REFRIGERATION PARTS | | | | | | | | | | | |
| | | | ES12L33-B | ES12L33-C | ES16L33-B | SS12L30-C | SS12L30-D | SS16L30-C | YS13L33-B | YS13L33-C | |
| 9 | COMPRESSOR | 61716628 | | | | | | | 1 | 1 | 600 |
| 9 | COMPRESSOR | 61716645 | 1 | 1 | | 1 | 1 | | | | 600 |
| 9 | COMPRESSOR | 62199704 | | | 1 | | | 1 | | | 600 |
| 10 | EVAPORATOR COIL | 61850100 | 1 | 1 | | 1 | 1 | | 1 | 1 | 400 |
| 10 | EVAPORATOR COIL | 61850101 | | | | | | | | | 400 |
| 10 | EVAPORATOR COIL | 62050014 | | | 1 | | | 1 | | | 400 |
| 11 | CONDENSER COIL | 61850302 | 1 | | 1 | 1 | | 1 | | | 410 |
| 11 | CONDENSER COIL | 61850306 | | | | | | | 1 | | 410 |
| 11 | CONDENSER COIL | 62050303 | | 1 | | | 1 | | | | 410 |
| 11 | CONDENSER COIL | 62050310 | | | | | | | | 1 | 410 |
| * | DRIER, LIQUID | 60308101 | 1 | 1 | 1 | 1 | 1 | 1 | 1 | 1 | 480 |
| * | DRIER, SUCTION | 61828200 | | | | | | | 1 | 1 | 480 |
| * | CHECK VALVE | 61824400 | | | | | | | 1 | 1 | 510 |
| * | REVERSING VALVE | 25018305 | | | | | | | | 1 | 500 |
| * | REVERSING VALVE and SOLENOID | 25022022 | | | | | | | 1 | | 500 |
| * | CAPILLARY TUBE | 03760543 | | | | | | | 1 | 1 | 471 |
| * | CAPILLARY TUBE | 03760545 | | | | | | | 1 | 1 | 471 |
| * | CAPILLARY TUBE | 03760473 | 1 | 1 | | 1 | 1 | | | | 471 |
| * | CAPILLARY TUBE | 01390005 | | | 1 | | | 1 | | | 471 |

* PARTS NOT SHOWN

SMALL CHASSIS "S" SERIES - 230V

| REF | DESCRIPTION | PART NO. | ES | | | SS | | | YS | | CODE |
|----------------------|---------------------------|----------|-----------|-----------|-----------|-----------|-----------|-----------|-----------|-----------|------|
| | | | ES12L33-B | ES12L33-C | ES16L33-B | SS12L30-C | SS12L30-D | SS16L30-C | YS13L33-B | YS13L33-C | |
| CHASSIS PARTS | | | | | | | | | | | |
| 12 | SHROUD, CONDENSER | 61803601 | 1 | 1 | 1 | 1 | 1 | 1 | 1 | 1 | 720 |
| 13 | FAN BLADE | 60542003 | 1 | 1 | 1 | 1 | 1 | 1 | 1 | 1 | 710 |
| 14 | BLOWER WHEEL | 60610603 | | | | | | | 1 | 1 | 700 |
| 14 | BLOWER WHEEL | 60610616 | 1 | 1 | 1 | 1 | 1 | 1 | | | 700 |
| 15 | BRACE, COND. SHROUD | 61802600 | 3 | 3 | 3 | 3 | 3 | 3 | 3 | 3 | 722 |
| 16 | SCROLL | 61814905 | 1 | 1 | 1 | 1 | 1 | 1 | 1 | 1 | 743 |
| 17 | BLOWER FRONT | 61817300 | 1 | 1 | 1 | 1 | 1 | 1 | 1 | 1 | 742 |
| 19 | COVER, TOP | 61906700 | 1 | 1 | 1 | 1 | 1 | 1 | 1 | 1 | 746 |
| 21 | DECK | 61817100 | 1 | 1 | 1 | 1 | 1 | 1 | 1 | 1 | 745 |
| 23 | MOUNT, FAN MOTOR | 61802500 | 1 | 1 | 1 | 1 | 1 | 1 | 1 | 1 | 900 |
| 25 | BRACKET, HEATER MT. | 61818900 | 1 | 1 | 1 | | | | 1 | 1 | 999 |
| 27 | BASE PAN | 61809015 | 1 | 1 | 1 | | | | | | 730 |
| 27 | BASE PAN | 61803441 | | | | 1 | 1 | 1 | | | 730 |
| 27 | BASE PAN | 61809013 | | | | | | | 1 | 1 | 730 |
| * | DRAIN PAN | 61803800 | 1 | 1 | 1 | 1 | 1 | 1 | 1 | 1 | 840 |
| * | BELLOWS, DRAIN VALVE | 60179903 | 1 | 1 | 1 | | | | 1 | 1 | 801 |
| * | GRILLE, REAR | 61818500 | 1 | 1 | 1 | 1 | 1 | 1 | 1 | 1 | 771 |
| 28 | DOOR, SLIDE ASSLY. | 61821500 | 1 | 1 | 1 | 1 | 1 | 1 | 1 | 1 | 810 |
| * | CONNECTOR, SLIDE DOOR | 61814800 | 1 | 1 | 1 | 1 | 1 | 1 | 1 | 1 | 811 |
| 29 | PANEL, CTRL. MT. | 61807251 | | | | 1 | 1 | 1 | | | 999 |
| 29 | PANEL, CTRL. MT. | 61807250 | 1 | 1 | 1 | | | | 1 | 1 | 999 |
| 30 | BRACKET, CAP. MT | 61820400 | 1 | 1 | 1 | 1 | 1 | 1 | 1 | 1 | 999 |
| * | PANEL, LIS | 61937200 | 1 | 1 | 1 | 1 | 1 | 1 | 1 | 1 | 999 |
| 31 | PARTITION, CTRL. BOX | 61802800 | | | | 1 | 1 | 1 | | | 999 |
| 31 | PARTITION, CTRL. BOX | 61802801 | 1 | 1 | 1 | | | | 1 | 1 | 999 |
| 32 | DECORATIVE PANEL | 61823360 | 1 | 1 | 1 | | | | 1 | 1 | 999 |
| 33 | KNOBS, CTRL. | 61493915 | 2 | 2 | 2 | | | | 2 | 2 | 761 |
| * | HOLDER, THERMISTER | 61925001 | | | | 1 | 1 | 1 | | | 764 |
| * | HOLDER, AIR FILTER | 60865900 | 2 | 2 | 2 | 2 | 2 | 2 | 2 | 2 | 756 |
| * | FILTER, AIR | 60865808 | 1 | 1 | 1 | 1 | 1 | 1 | 1 | 1 | 754 |
| * | CLAMP, SUPPLY CORD | 91500306 | 2 | 2 | 2 | 2 | 2 | 2 | 2 | 2 | 999 |
| * | BRACKET, RESISTO BLOCK | 61820600 | 1 | 1 | 1 | | | | 1 | 1 | 999 |
| 34 | GROMMET, COMPRESSOR | 61028900 | 3 | 3 | 3 | 3 | 3 | 3 | 3 | 3 | 790 |
| 35 | SCREW, COMPRESSOR MT. | 91400400 | 3 | 3 | 3 | 3 | 3 | 3 | 3 | 3 | 999 |
| 36 | PLENUM ASSLY. | 61810206 | 1 | 1 | 1 | 1 | 1 | 1 | 1 | 1 | 753 |
| * | KNOB, FRESH AIR & EXHAUST | 61809305 | 1 | 1 | 1 | 1 | 1 | 1 | 1 | 1 | 761 |

* PARTS NOT SHOWN

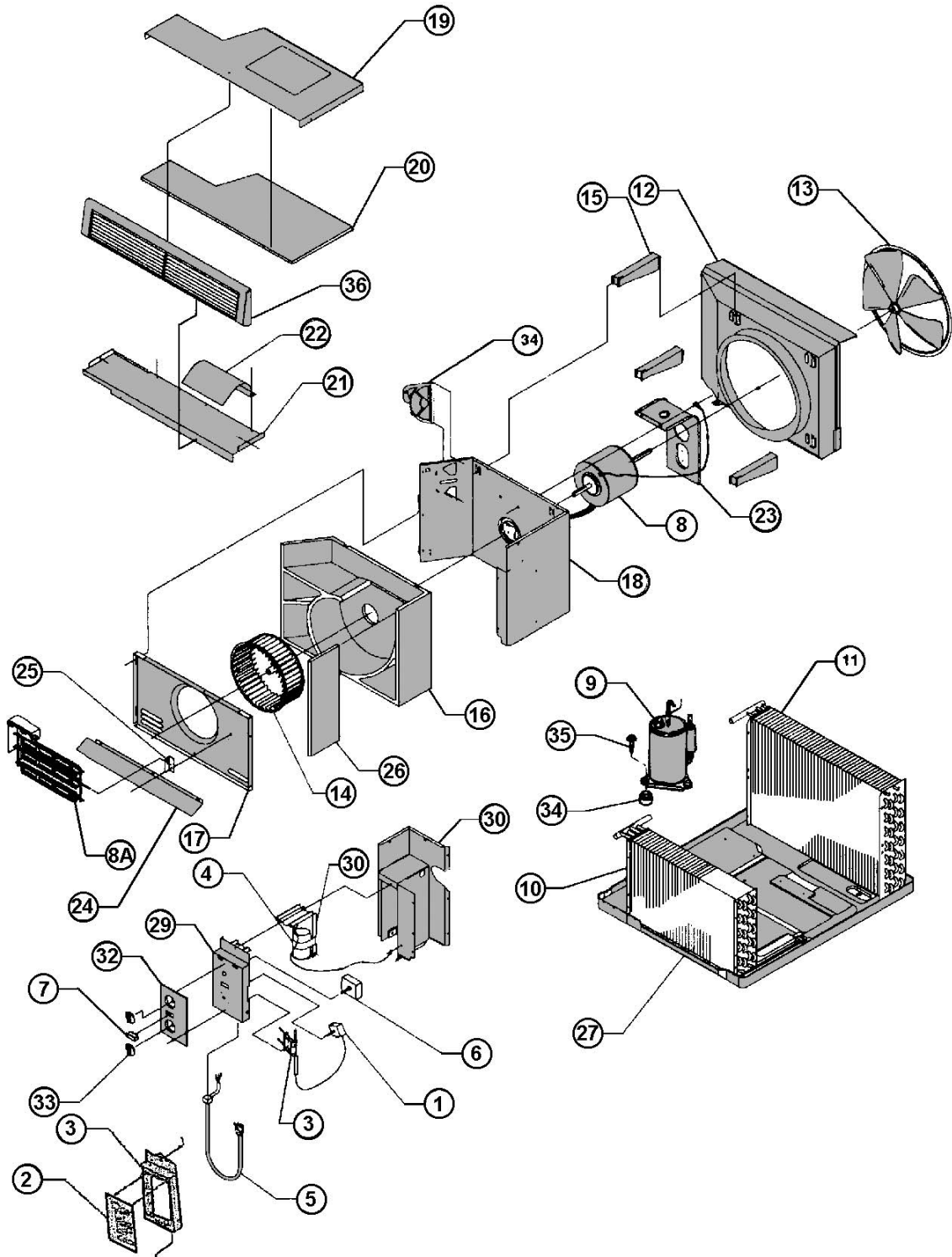
SMALL CHASSIS "S" SERIES - 230V

| REF | DESCRIPTION | PART NO. | ES | | | SS | | | YS | | CODE |
|---------------------------------|----------------------|----------|-----------|-----------|-----------|-----------|-----------|-----------|-----------|-----------|------|
| | | | ES12L33-B | ES12L33-C | ES16L33-B | SS12L30-C | SS12L30-D | SS16L30-C | YS13L33-B | YS13L33-C | |
| | CHASSIS PARTS | | | | | | | | | | |
| 37 | INTAKE GRILLE | 61808906 | 1 | 1 | 1 | 1 | 1 | 1 | 1 | 1 | 772 |
| * | LATCH, INTAKE GRILLE | 61989000 | 2 | 2 | 2 | 2 | 2 | 2 | 2 | 2 | 752 |
| 38 | OUTER SHELL ASSLY | 61825705 | 1 | 1 | 1 | 1 | 1 | 1 | 1 | 1 | 770 |
| 39 | SILL PLATE | 61808413 | 1 | 1 | 1 | 1 | 1 | 1 | 1 | 1 | |
| * | CHASSIS GUIDE, SHELL | 61819601 | 2 | 2 | 2 | 2 | 2 | 2 | 2 | 2 | |
| * | FRIEDRICH SCRIPT | 60169110 | 1 | 1 | 1 | 1 | 1 | 1 | 1 | 1 | |
| * | PUSHNUTS, SCRIPT | 91002900 | 2 | 2 | 2 | 2 | 2 | 2 | 2 | 2 | |
| 40 | WINGBOARD | 60294415 | | | | 1 | 1 | 1 | | | |
| 41 | BRACKET, SUPPORT | 61109513 | | | | 2 | 2 | 2 | | | |
| 42 | ANGLE, WINGBOARD | 61819811 | | | | 2 | 2 | 2 | | | |
| 43 | ANGLE, TOP | 61819711 | | | | 1 | 1 | 1 | | | |
| 44 | GASKET, VINYL | 60610304 | | | | 1 | 1 | 1 | | | |
| * | HARDWARE BAG(SCREWS) | 60846017 | 1 | 1 | 1 | | | | 1 | 1 | |
| * | HARDWARE BAG(SCREWS) | 60846016 | | | | 1 | 1 | 1 | | | |
| 45 | GASKET, CHASSIS | 61717301 | 1 | 1 | 1 | 1 | 1 | 1 | 1 | 1 | |
| 45 | GASKET, WINDOW | 60610304 | | | | 1 | 1 | 1 | | | |
| * | CARTON, SHIPPING | 61841908 | 1 | 1 | 1 | 1 | 1 | 1 | 1 | 1 | |
| OPTIONAL ACCESSORY ITEMS | | | | | | | | | | | |
| * | DRAIN KIT, DC-2 | 01900235 | 1 | 1 | 1 | 1 | 1 | 1 | 1 | 1 | 999 |
| * | START KIT, CAP.RELAY | 61008903 | 1 | 1 | 1 | 1 | 1 | 1 | 1 | 1 | 160 |

* PARTS NOT SHOWN

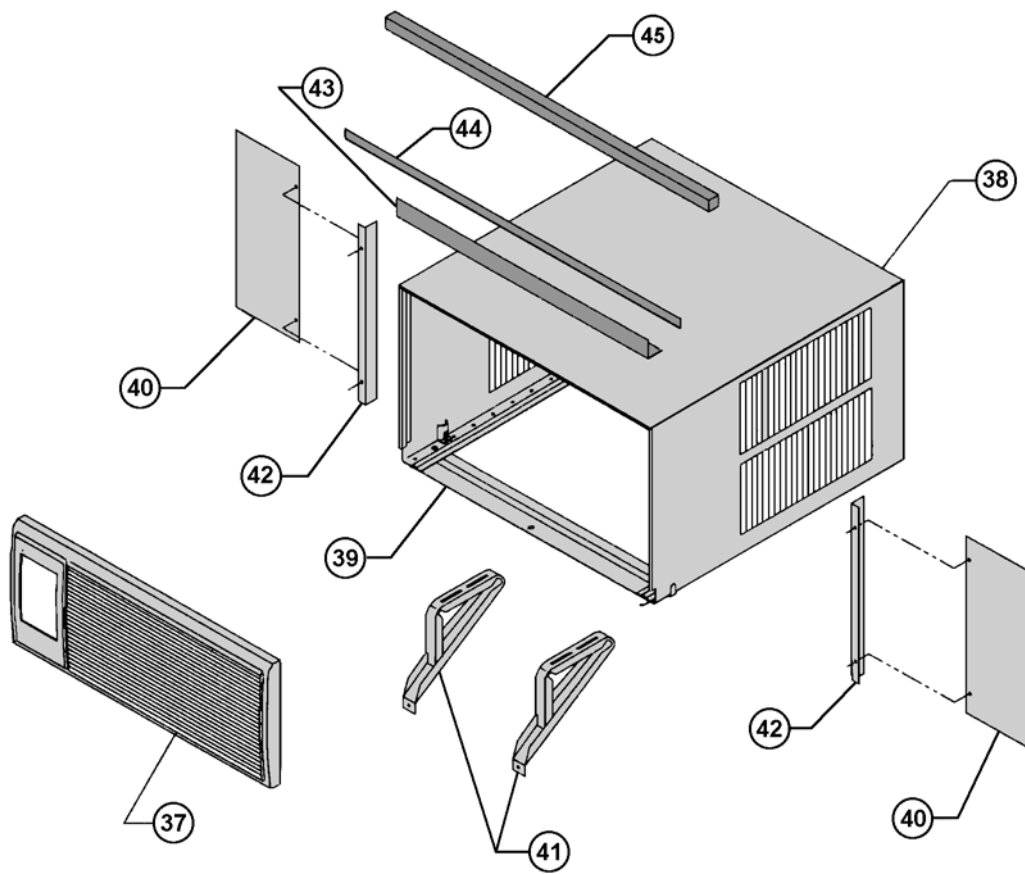
MEDIUM CHASSIS "M" SERIES

CHASSIS PARTS (EM, KM, SM, & YM)



MEDIUM CHASSIS "M" SERIES

CABINET & MOUNTING PARTS (EK, EM, KM, SM, YM)



MEDIUM CHASSIS "M" SERIES

| REF | DESCRIPTION | PART NO. | EM | | KM | | SM | | | | YM | | CODE |
|----------------------------|-------------------------------------|----------|-----------|-----------|-----------|-----------|------------|------------|-----------|-----------|-----------|-----------|------|
| | | | EM18L34-B | EM24L35-B | KM18L30-B | KM24L30-B | SM18L30A-B | SM18L30A-C | SM21L30-C | SM21L30-D | SM24L30-B | YM18L34-B | |
| ELECTRICAL PARTS | | | | | | | | | | | | | |
| 1 | THERMOSTAT | 61828500 | | | 1 | 1 | | | | | | | 120 |
| 1 | THERMOSTAT | 61828400 | 1 | 1 | | | | | | | | | 120 |
| * | RESISTOR | 61808001 | 1 | 1 | 1 | 1 | | | | | | | 200 |
| * | THERMOSTAT, DEF. | 61350314 | | | | | | | | | | | 122 |
| 2 | ELECTRONIC BOARD | 61921194 | | | | | 1 | 1 | 1 | 1 | 1 | | 331 |
| * | REMOTE CONTROL | 61826606 | | | | | 1 | 1 | 1 | 1 | 1 | | 350 |
| * | OVERLOAD | 61764522 | | | | | | | | | | 1 | 190 |
| * | OVERLOAD | 61764556 | | | | | 1 | 1 | | | | | 190 |
| * | OVERLOAD | 61764557 | 1 | | 1 | | | | | | | | 190 |
| 4 | CAPACITOR | 61080557 | | | | | | | 1 | 1 | | | 150 |
| 4 | CAPACITOR | 61080529 | | 1 | | 1 | | | | | 1 | 1 | 150 |
| 4 | CAPACITOR | 61080534 | 1 | | 1 | | 1 | 1 | | | | | 150 |
| 5 | SUPPLY CORD | 60500340 | 1 | | | | | | | | | 1 | 220 |
| 5 | SUPPLY CORD | 60500322 | | | 1 | | 1 | 1 | 1 | 1 | | | 220 |
| 5 | SUPPLY CORD | 60500323 | | | | 1 | | | | | 1 | | 220 |
| 5 | SUPPLY CORD | 60500341 | | 1 | | | | | | | | | 220 |
| 6 | SWITCH SYS. 8 POS. | 60607204 | 1 | 1 | | | | | | | | 1 | 130 |
| 6 | SWITCH SYS. 6 POS. | 60607205 | | | 1 | 1 | | | | | | | 130 |
| 7 | SWITCH (YES - NO) | 61806105 | 1 | 1 | 1 | 1 | | | | | | 1 | 132 |
| 8 | FAN MOTOR | 61871432 | | 1 | 1 | 1 | 1 | 1 | 1 | 1 | 1 | 1 | 110 |
| * | SOLENOID COIL | 25063605 | | | | | | | | | | | 240 |
| * | SOLENOID and REVERSING VALVE | 25022032 | | | | | | | | | | 1 | 240 |
| 8A | HEATER | 61878617 | | 1 | | | | | | | | | 210 |
| 8A | HEATER | 61878611 | 1 | | | | | | | | | 1 | 210 |
| REFRIGERATION PARTS | | | | | | | | | | | | | |
| 9 | COMPRESSOR | 61716652 | | 1 | | 1 | | | | | 1 | | 600 |
| 9 | COMPRESSOR | 61716651 | | | | | | 1 | 1 | | | | 600 |
| 9 | COMPRESSOR | 61716663 | 1 | | 1 | | | | | | | | 600 |
| 9 | COMPRESSOR | 62199704 | | | | | 1 | 1 | | | | | 600 |
| 9 | COMPRESSOR | 61716660 | | | | | | | | | | 1 | 600 |
| 10 | EVAPORATOR COIL | 61850011 | 1 | | 1 | | | | | | | | 400 |
| 10 | EVAPORATOR COIL | 61850002 | | | | | | | | | | 1 | 400 |
| 10 | EVAPORATOR COIL | 62050016 | | | | | | 1 | | | | | 400 |
| 10 | EVAPORATOR COIL | 61850023 | | | | 1 | | | | 1 | | | 400 |
| 10 | EVAPORATOR COIL | 62050017 | | 1 | | 1 | | 1 | | 1 | | 1 | 400 |
| 11 | CONDENSER COIL | 61850222 | | | | | 1 | | | | 1 | | 410 |
| 11 | CONDENSER COIL | 62050215 | | 1 | | 1 | | | | | | | 410 |
| 11 | CONDENSER COIL | 61850200 | 1 | | 1 | | | | 1 | 1 | | | 410 |
| 11 | CONDENSER COIL | 61850205 | | | | | | | | | | 1 | 410 |
| 11 | CONDENSER COIL | 61850215 | | | | | | 1 | | | 1 | | 410 |
| * | DRIER, LIQUID | 60308101 | 1 | 1 | 1 | 1 | 1 | 1 | 1 | 1 | 1 | 1 | 480 |
| * | CHECK VALVE | 61822400 | | | | | | | | | | 1 | 471 |
| * | REVERSING VALVE | 25018705 | | | | | | | | | | | 500 |
| * | REVERSING VALVE and SOLENOID | 25022032 | | | | | | | | | | 1 | 500 |
| * | CAPILLARY TUBE | 03760479 | | | | | | | 3 | | | | 471 |
| * | CAPILLARY TUBE | 01389975 | 1 | | 1 | | | | | | | | 471 |
| * | CAPILLARY TUBE | 03760545 | | | | | 3 | 3 | | | | 1 | 471 |
| * | CAPILLARY TUBE | 03760511 | | | | | | | | | | 1 | 471 |
| * | CAPILLARY TUBE | 03760452 | | 3 | | 3 | | | | | 3 | 3 | 471 |

* PARTS NOT SHOWN

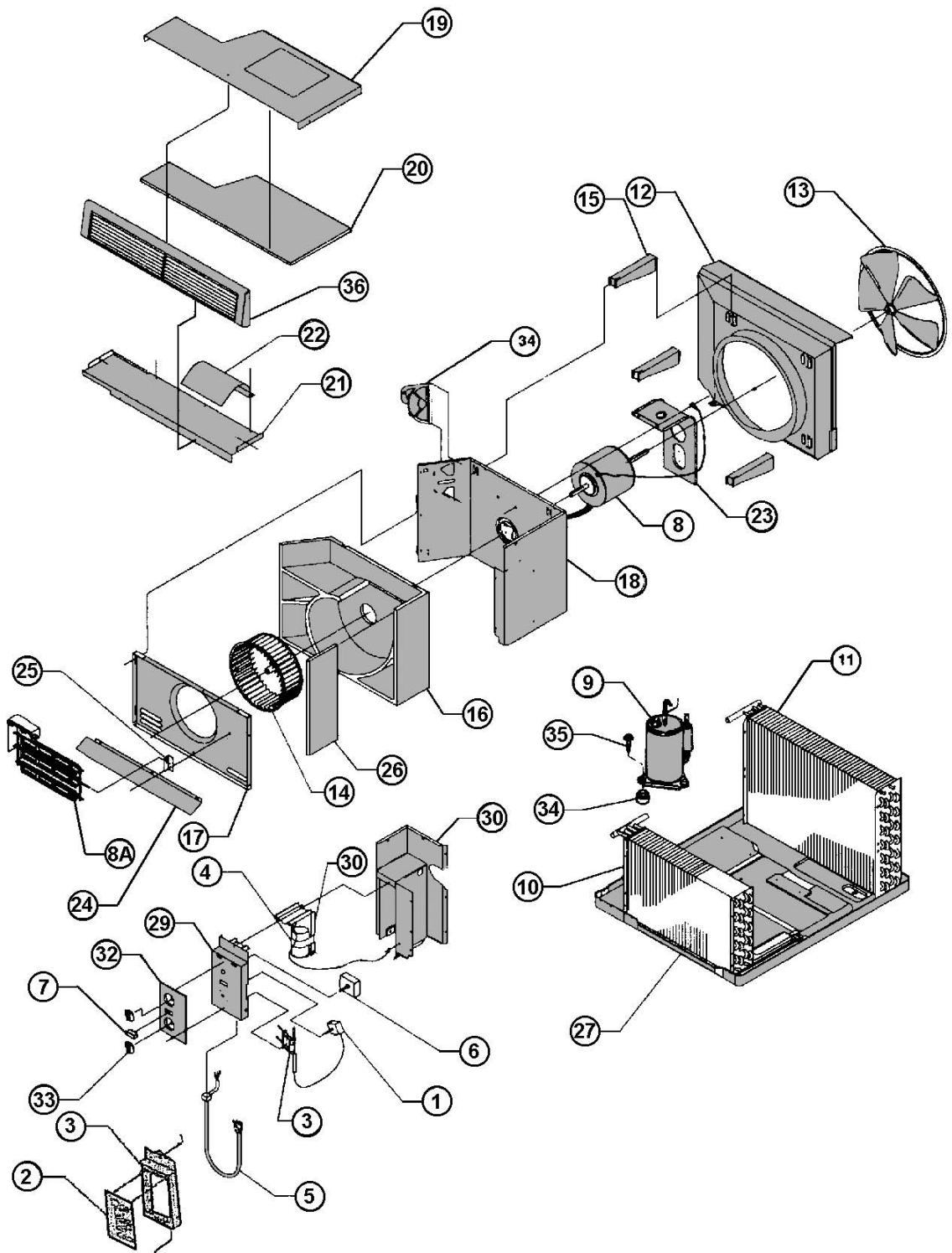
MEDIUM CHASSIS "M" SERIES PARTS LIST

| REF | DESCRIPTION | PART NO. | EM | | KM | | SM | | | | | YM | | CODE | |
|---------------------------------|-----------------------|----------|-----------|-----------|-----------|-----------|------------|------------|-----------|-----------|-----------|-----------|-----------|------|-----|
| | | | EM18L34-B | EM24L35-B | KM18L30-B | KM24L30-B | SM18L30A-B | SM18L30A-C | SM21L30-C | SM21L30-D | SM24L30-B | YM18L34-B | YM18L34-C | | |
| CHASSIS PARTS | | | | | | | | | | | | | | | |
| 12 | SHROUD, CONDENSER | 61804901 | 1 | 1 | 1 | 1 | 1 | 1 | 1 | 1 | 1 | 1 | 1 | 1 | 720 |
| 13 | FAN BLADE, COND. | 60542004 | 1 | 1 | 1 | 1 | 1 | 1 | 1 | 1 | 1 | 1 | 1 | 1 | 710 |
| 14 | BLOWER WHEEL, EVAP. | 60610617 | 1 | | 1 | | 1 | 1 | 1 | 1 | | | | | 700 |
| 14 | BLOWER WHEEL, EVAP. | 60610618 | | 1 | | 1 | | | | | | 1 | 1 | 1 | 700 |
| 15 | BRACE, COND.SHROUD | 61802600 | 3 | 3 | 3 | 3 | 3 | 3 | 3 | 3 | 3 | 3 | 3 | 3 | 722 |
| 16 | SCROLL | 61817505 | 1 | 1 | 1 | 1 | 1 | 1 | 1 | 1 | 1 | 1 | 1 | 1 | 743 |
| 17 | BLOWER FRONT | 61817400 | 1 | 1 | 1 | 1 | 1 | 1 | 1 | 1 | 1 | 1 | 1 | 1 | 742 |
| 23 | MOUNT, FAN MOTOR | 61804100 | 1 | 1 | 1 | 1 | 1 | 1 | 1 | 1 | 1 | 1 | 1 | 1 | 900 |
| 25 | BRACKET, HTR | 61818900 | 1 | 1 | | | | | | | | | 1 | 1 | 730 |
| 27 | BASE PAN | 61809015 | 1 | 1 | | | | | | | | | 1 | 1 | 730 |
| 27 | BASE PAN | 61803441 | | | 1 | 1 | | | 1 | 1 | 1 | | | | 730 |
| 27 | BASE PAN | 61803411 | | | | | 1 | 1 | | | | | | | 730 |
| * | BELLOWS, DRAIN VALVE | 60179903 | 1 | 1 | | | | | | | | | 1 | 1 | 801 |
| * | DRAIN PAN, EVAP. | 61803800 | 1 | 1 | 1 | 1 | 1 | 1 | 1 | 1 | 1 | 1 | 1 | 1 | 840 |
| * | GRILLE, REAR | 61818501 | 1 | 1 | 1 | 1 | 1 | 1 | 1 | 1 | 1 | 1 | 12 | 12 | 771 |
| 28 | DOOR, SLIDE ASY | 61821500 | 1 | 1 | 1 | 1 | 1 | 1 | 1 | 1 | 1 | 1 | 1 | 1 | 810 |
| * | CONNECTOR SLIDE ASY | 61814800 | 1 | 1 | 1 | 1 | 1 | 1 | 1 | 1 | 1 | 1 | 1 | 1 | 811 |
| * | WIRE CLIP, SLIDE ASSY | 60301800 | 1 | 1 | 1 | 1 | 1 | 1 | 1 | 1 | 1 | 1 | 1 | 1 | 999 |
| 29 | PANEL, CTRL. MOUNT | 61811050 | 1 | 1 | 1 | 1 | | | | | | | 1 | 1 | 999 |
| 29 | PANEL, CTRL. MOUNT | 61811051 | | | | | 1 | 1 | 1 | 1 | 1 | | | | 999 |
| 32 | DECORATIVE PANEL | 61823360 | 1 | 1 | | | | | | | | | 1 | 1 | 999 |
| 32 | DECORATIVE PANEL | 61822658 | | | 1 | 1 | | | | | | | | | 999 |
| 33 | KNOBS, CRTL. | 61493915 | 2 | 2 | 2 | 2 | | | | | | | 2 | 2 | 761 |
| * | BRACKET,RESISTOR BLK | 61820600 | 1 | 1 | 1 | 1 | | | | | | | 1 | 1 | 999 |
| * | HOLDER, THERMISTOR | 61925001 | | | | | 1 | 1 | 1 | 1 | 1 | | | | 764 |
| * | HOLDER, AIR FILTER | 61823000 | 2 | 2 | 2 | 2 | 2 | 2 | 2 | 2 | 2 | 2 | 2 | 2 | 756 |
| * | FILTER, AIR | 60865809 | 1 | 1 | 1 | 1 | 1 | 1 | 1 | 1 | 1 | 1 | 1 | 1 | 754 |
| * | CLAMP, SUPPLY CORD | 91500308 | 2 | 2 | | | | | | | | | 2 | 2 | 999 |
| * | CLAMP, SUPPLY CORD | 91500307 | | | | | | | | | | | | | 999 |
| * | CLAMP, SUPPLY CORD | 91500305 | | | | | | | | | | | | | 999 |
| * | CLAMP, SUPPLY CORD | 91500306 | | | 2 | 2 | 2 | 2 | 2 | 2 | 2 | 2 | | | 999 |
| 34 | GROMMET, COMP. | 61028900 | 3 | | 3 | 3 | 3 | 3 | 3 | 3 | 3 | 3 | 3 | 3 | 790 |
| 34 | GROMMET, COMP. | 01150934 | | 3 | | | | | | | | | | | 790 |
| 35 | SCREW, COMP. | 91400400 | 3 | 3 | 3 | 3 | 3 | 3 | 3 | 3 | 3 | 3 | 3 | 3 | 999 |
| 36 | PLENIUM ASLY. | 61810206 | 1 | 1 | 1 | 1 | 1 | 1 | 1 | 1 | 1 | 1 | 1 | 1 | 753 |
| 37 | GRILLE, INTAKE | 61811111 | 1 | 1 | 1 | 1 | 1 | 1 | 1 | 1 | 1 | 1 | 1 | 1 | 772 |
| * | LATCH, GRILLE INTAKE | 61989000 | 2 | 2 | 2 | 1 | 2 | 2 | 2 | 2 | 2 | 2 | 2 | 2 | 999 |
| 38 | OUTER SHELL | 61825706 | 1 | 1 | 1 | 1 | 1 | 1 | 1 | 1 | 1 | 1 | 1 | 1 | 770 |
| 39 | SILL PLATE | 61808413 | 1 | 1 | 1 | 1 | 1 | 1 | 1 | 1 | 1 | 1 | 1 | 1 | 999 |
| * | CHASSIS GUIDE, SHELL | 61819601 | 2 | 2 | 2 | 2 | 2 | 2 | 2 | 2 | 2 | 2 | 2 | 2 | 999 |
| * | CHASSIS RETAINER | 61826400 | 1 | 1 | 1 | 1 | 1 | 1 | 1 | 1 | 1 | 1 | 1 | 1 | 999 |
| * | FRIEDRICH SCRIPT | 60169110 | 1 | 1 | 1 | 1 | 1 | 1 | 1 | 1 | 1 | 1 | 1 | 1 | 999 |
| * | PUSHNUTS, SCRIPT | 91002900 | 2 | 2 | 2 | 2 | 2 | 2 | 2 | 2 | 2 | 2 | 2 | 2 | 999 |
| 40 | WINGBOARD | 60294415 | | | 1 | 1 | 1 | 1 | 1 | 1 | 1 | | | | 999 |
| 41 | BRACKET, SUPPORT | 61109513 | | | 2 | 2 | 2 | 2 | 2 | 2 | 2 | | | | 999 |
| 42 | ANGLE, WINGBOARDS | 61819813 | | | 2 | 2 | 2 | 2 | 2 | 2 | 2 | | | | 999 |
| 43 | ANGLE, TOP SUPPORT | 61819711 | | | 1 | 1 | 1 | 1 | 1 | 1 | 1 | | | | 999 |
| * | HARDWARE (SCREWS) | 60846017 | 1 | 1 | | | | | | | | | 1 | 1 | 999 |
| * | HARDWARE (SCREWS) | 60846016 | | | 1 | 1 | 1 | 1 | 1 | 1 | 1 | | | | 999 |
| 45 | GASKET, CHASSIS | 61717301 | 1 | 1 | 1 | 1 | 1 | 1 | 1 | 1 | 1 | 1 | 1 | 1 | 780 |
| 45 | GASKET, WINDOW | 60073300 | | | 1 | 1 | 1 | 1 | 1 | 1 | 1 | | | | 780 |
| 46 | GASKET, VINYL | 60610304 | | | 1 | 1 | 1 | 1 | 1 | 1 | 1 | | | | 780 |
| * | CARTON, SHIPPING | 61841916 | 1 | 1 | 1 | 1 | 1 | 1 | 1 | 1 | 1 | 1 | 1 | 1 | 999 |
| OPTIONAL ACCESSORY ITEMS | | | | | | | | | | | | | | | |
| * | DRAIN KIT, DC-2 | 01900235 | 1 | 1 | 1 | 1 | 1 | 1 | 1 | 1 | 1 | 1 | 1 | 1 | |
| * | START KIT, CAP.RELAY | 61008903 | 1 | 1 | 1 | 1 | 1 | 1 | 1 | 1 | 1 | 1 | 1 | 1 | |

* PARTS NOT SHOWN

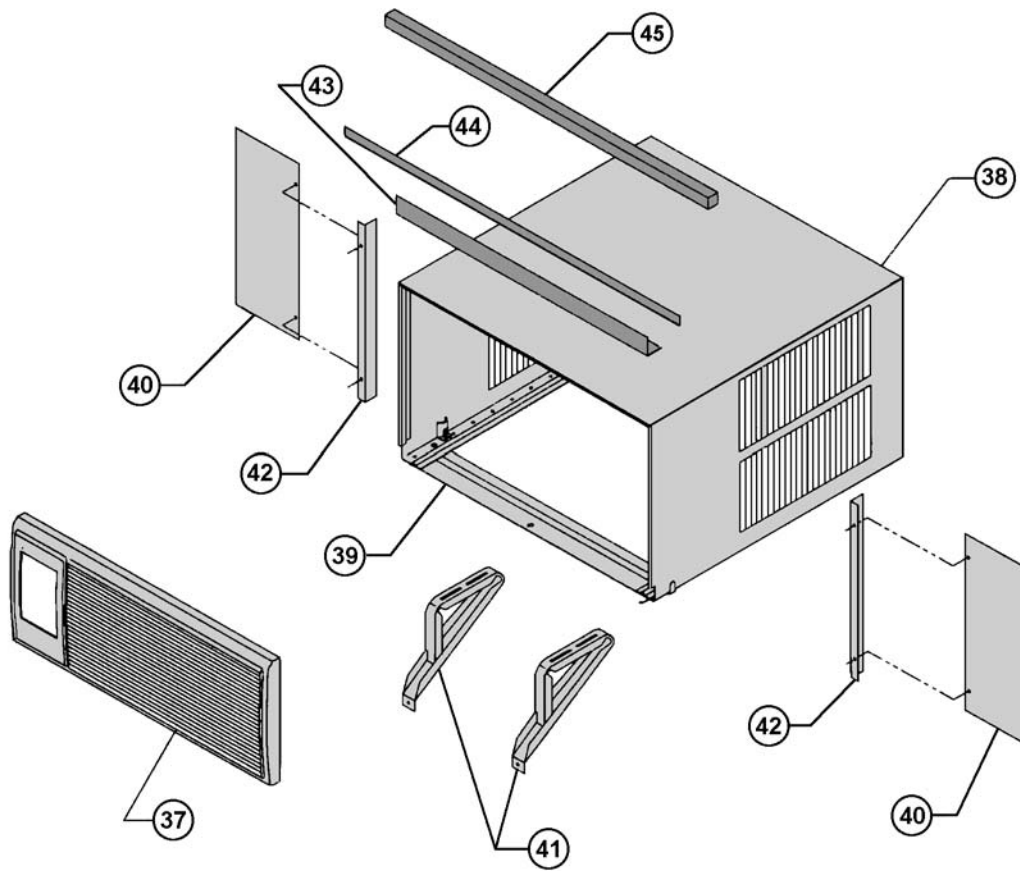
LARGE CHASSIS "L" SERIES

CHASSIS PARTS (SL, EL, & YL)



LARGE CHASSIS "L" SERIES

CABINET & MOUNTING PARTS (SL, EL, & YL)



LARGE CHASSIS "L" SERIES

| REF | DESCRIPTION | PART NO. | SL | | EL | YL | | CODE |
|----------------------------|------------------------------|----------|-----------|------------|------------|-----------|-----------|------|
| | | | SL28L30-C | SL36L30A-C | EL36L34A-C | YL24L35-C | YL24L35-D | |
| ELECTRICAL PARTS | | | | | | | | |
| 1 | THERMOSTAT | 61828500 | 1 | 1 | | | | 120 |
| 1 | THERMOSTAT | 61828400 | | | 1 | 1 | 1 | 120 |
| * | THERMOSTAT, DEF. | 61350314 | | | | 1 | 1 | 122 |
| 4 | CAPACITOR | 61080529 | | | | 1 | | 150 |
| 4 | CAPACITOR | 61080557 | 1 | | | | | 150 |
| 4 | CAPACITOR | 61080527 | | 1 | 1 | | 1 | 150 |
| 5 | SUPPLY CORD | 60500323 | 1 | | | | | 220 |
| 5 | SUPPLY CORD | 60500341 | | 1 | 1 | 1 | 1 | 220 |
| 3 | RESISTOR | 61808001 | 1 | 1 | 1 | 1 | 1 | 200 |
| 6 | SWITCH SYS. 5 POS. | 60607203 | 1 | 1 | | | | 130 |
| 6 | SWITCH SYS. 8 POS. | 60607204 | | | 1 | 1 | 1 | 130 |
| 7 | SWITCH (YES - NO) | 61806105 | 1 | 1 | 1 | 1 | 1 | 132 |
| 8 | FAN MOTOR | 61871466 | | 1 | 1 | | | 110 |
| 8 | FAN MOTOR | 61871467 | 1 | | | 1 | 1 | 110 |
| * | SOLENOID | 25063605 | | | | | 1 | 240 |
| * | SOLENOID and REVERSING VALVE | 25022032 | | | | 1 | | 240 |
| 8A | HEATER | 61878612 | | | 1 | 1 | 1 | 210 |
| * | COMPRESSOR HARNESS | 61821409 | 1 | | | 1 | 1 | 270 |
| * | COMPRESSOR HARNESS | 61821405 | | 1 | 1 | | | 270 |
| REFRIGERATION PARTS | | | | | | | | |
| 9 | COMPRESSOR | 61716652 | | | | 1 | 1 | 600 |
| 9 | COMPRESSOR | 61716650 | 1 | | | | | 600 |
| 9 | COMPRESSOR | 61716669 | | 1 | 1 | | | 600 |
| 10 | EVAPORATOR COIL | 62050001 | 1 | 1 | 1 | | 1 | 400 |
| 10 | EVAPORATOR COIL | 61850003 | | | | 1 | | 400 |
| 11 | CONDENSER COIL | 61850223 | | 1 | 1 | | | 410 |
| 11 | CONDENSER COIL | 61850224 | 1 | | | | | 410 |
| 11 | CONDENSER COIL | 61850203 | | | | 1 | 1 | 410 |
| * | DRIER, LIQUID | 60308101 | 1 | 1 | 1 | 1 | 1 | 480 |
| * | Drier/Ck Valve/ Cap Tube | 92500001 | | | | 1 | 1 | 480 |
| * | REVERSING VALVE | 25018705 | | | | | 1 | 240 |
| * | REVERSING VALVE and SOLENOID | 25022032 | | | | 1 | | 500 |
| * | CAPILLARY TUBE (HEAT) | 01389905 | | | | 1 | 1 | 471 |
| * | CAPILLARY TUBE (COOL) | 03760518 | | | | 1 | 1 | 471 |
| * | CAPILLARY TUBE | 01390005 | 2 | 2 | 2 | | | 471 |

* PARTS NOT SHOWN

LARGE CHASSIS "L" SERIES

| REF | DESCRIPTION | PART NO. | SL | | EL | YL | | CODE |
|-----------------------------|-----------------------------|----------|-----------|------------|------------|-----------|-----------|------|
| | | | SL28L30-C | SL36L30A-C | EL36L34A-C | YL24L35-C | YL24L35-D | |
| | CHASSIS PARTS | | | | | | | |
| * | SHROUD, W/SUMP LRG | 61807702 | 1 | 1 | 1 | 1 | 1 | 720 |
| 13 | FAN BLADE, COND. | 60542007 | 1 | 1 | 1 | 1 | 1 | 710 |
| 14 | BLOWER WHEEL, EVAP. | 60610602 | 1 | | | 1 | 1 | 700 |
| 14 | BLOWER WHEEL, EVAP. | 60610609 | | 1 | 1 | | | 700 |
| 15 | BRACE, COND.SHROUD | 61810000 | 3 | 3 | 3 | 3 | 3 | 722 |
| 16 | SCROLL | 61818100 | 1 | 1 | 1 | 1 | 1 | 743 |
| 17 | BLOWER FRONT | 61817800 | 1 | 1 | 1 | 1 | 1 | 742 |
| 25 | BRACKET, HTR | 61818900 | | | 1 | 1 | 1 | 999 |
| 27 | BASE PAN | 61807111 | | 1 | | | | 730 |
| 27 | BASE PAN | 61807114 | 1 | | | | | 730 |
| 27 | BASE PAN | 61809513 | | | | 1 | 1 | 730 |
| 27 | BASE PAN | 61809511 | | | 1 | | | 730 |
| * | BELLOWS, DRAIN VALVE | 60179903 | | | 1 | 1 | 1 | 801 |
| * | DRAIN PAN, EVAP. | 61807400 | 1 | 1 | 1 | 1 | 1 | 840 |
| * | GRILLE, REAR | 61818502 | 1 | 1 | 1 | 1 | 1 | 771 |
| 29 | PANEL, CTRL. MOUNT | 61806950 | 1 | 1 | 1 | 1 | 1 | 999 |
| 31 | PARTITION, CTRL. BOX | 61807000 | 1 | 1 | | | | 999 |
| 31 | PARTITION, CTRL. BOX | 61807001 | | | 1 | 1 | 1 | 999 |
| 32 | DECORATIVE PANEL | 61822650 | 1 | 1 | 1 | | | 999 |
| 32 | DECORATIVE PANEL | 61823360 | | | | 1 | 1 | 999 |
| 33 | KNOBS, CRTL. | 61493915 | 2 | 2 | 2 | 2 | 2 | 761 |
| * | BRACKET,RESISTOR BLK | 61820600 | 1 | 1 | 1 | 1 | 1 | 999 |
| 23 | MOUNT, FAN MOTOR | 61806700 | 1 | 1 | 1 | 1 | 1 | 900 |
| * | HOLDER, AIR FILTER | 61823000 | 2 | 2 | 2 | 2 | 2 | 756 |
| * | FILTER, AIR | 60865810 | 1 | 1 | 1 | 1 | 1 | 754 |
| * | CLAMP, SUPPLY CORD | 91500306 | 2 | | | | | 999 |
| * | CLAMP, SUPPLY CORD | 91500308 | | 2 | 2 | 2 | 2 | 999 |
| 34 | GROMMET, COMP. | 01150934 | 3 | 3 | 3 | 3 | 3 | 790 |
| 35 | SCREW, COMP. | 91400400 | 3 | 3 | 3 | 3 | 3 | 999 |
| 36 | PLENIUM ASLY. | 61810506 | 1 | 1 | 1 | 1 | 1 | 753 |
| 37 | GRILLE, INTAKE | 61810406 | 1 | | 1 | 1 | 1 | 772 |
| * | LATCH, GRILLE INTAKE. METAL | 61989000 | 2 | 2 | 2 | 2 | 2 | 772 |
| 38 | OUTER SHELL | 61825707 | 1 | 1 | 1 | 1 | 1 | 770 |
| 39 | SILL PLATE | 61808411 | 1 | 1 | 1 | 1 | 1 | 999 |
| * | CHASSIS GUIDE, SHELL | 61819601 | 2 | 2 | 2 | 2 | 2 | 999 |
| * | FRIEDRICH SCRIPT | 60169110 | 1 | 1 | 1 | 1 | 1 | 999 |
| * | PUSHNUTS, SCRIPT | 91002900 | 2 | 2 | 2 | 2 | 2 | 999 |
| 40 | WINGBOARD | 60294425 | 1 | 1 | | | | 999 |
| * | HARDWARE (SCREWS) | 60846016 | 1 | 1 | | | | 999 |
| * | HARDWARE (SCREWS) | 60846017 | | | 1 | 1 | 1 | 999 |
| 45 | GASKET, CHASSIS | 61717301 | 1 | 1 | 1 | 1 | 1 | 780 |
| 45 | GASKET, WINDOW | 60073300 | 1 | 1 | | | | 780 |
| 44 | GASKET, VINYL | 60610304 | 1 | 1 | | | | 780 |
| * | CARTON, SHIPPING | 61841917 | 1 | 1 | 1 | 1 | 1 | 999 |
| 43 | ANGLE, TOP SUPPORT | 61819713 | 1 | 1 | | | | 999 |
| 42 | ANGLE, WINGBOARDS | 61819815 | 2 | 2 | | | | 999 |
| OPTIONAL ACCESSORIES | | | | | | | | |
| * | ACCESSORY PKGE. | WIKL | | | 1 | 1 | 1 | |
| * | HARD START KIT | 61840900 | 1 | 1 | 1 | 1 | 1 | |

* PARTS NOT SHOWN

Use Factory-Certified Parts.

Friedrich

FRIEDRICH AIR CONDITIONING CO.

Post Office Box 1540 · San Antonio, Texas 78295-1540

4200 N. Pan Am Expressway · San Antonio, Texas 78218-5212

(210) 357-4400 · FAX (210) 357-4480

www.friedrich.com

Printed in the U.S.A.

920-132-02 (3-07)