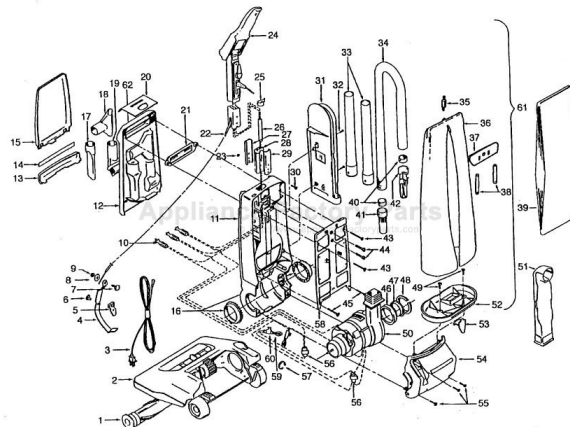


This Owner's Manual is provided and hosted by [Appliance Factory Parts](#).



HOOVER U3725-930 Owner's Manual

[Shop genuine replacement parts for HOOVER
U3725-930](#)

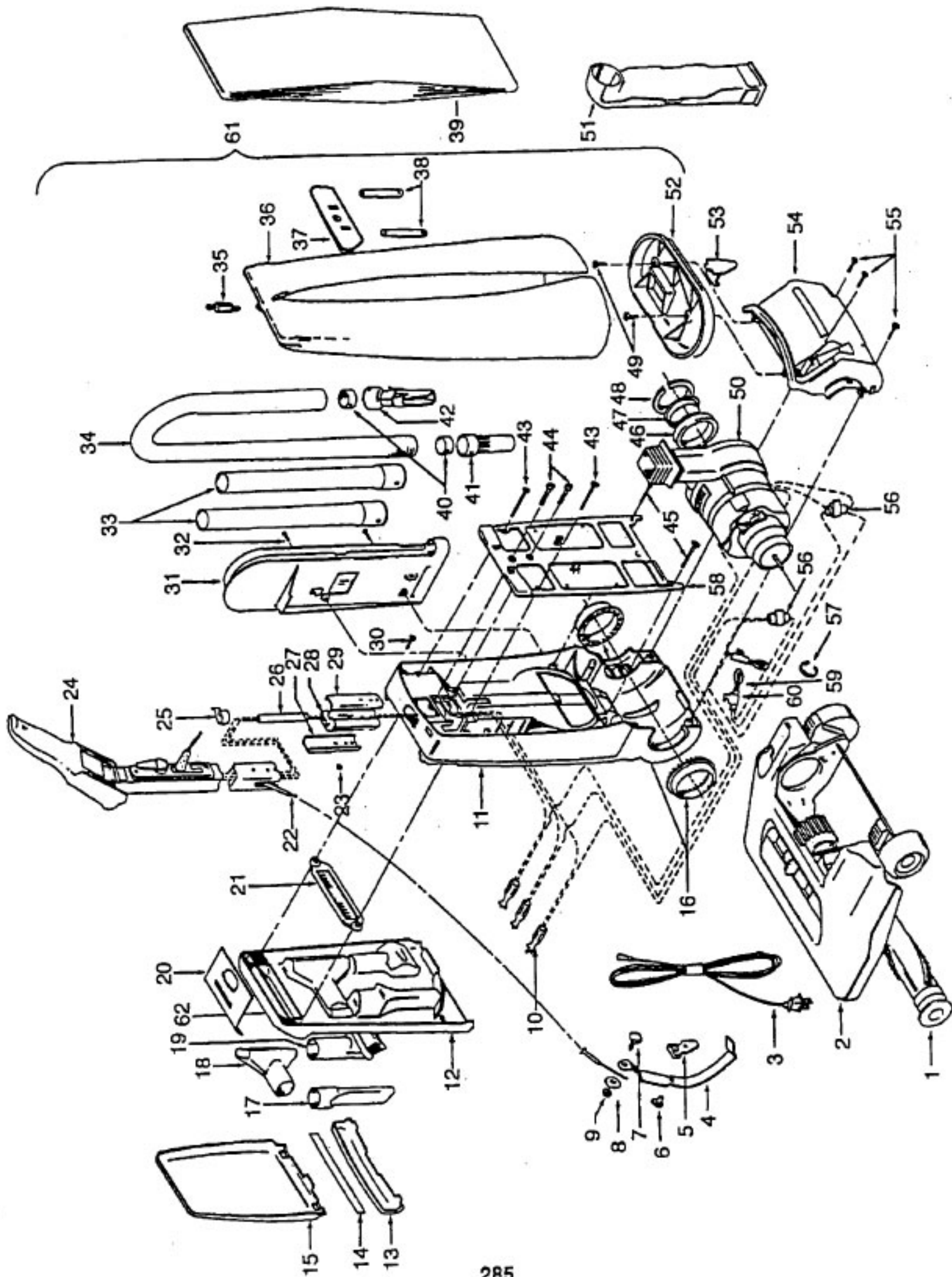


[Find Your HOOVER Vacuum Cleaner Parts - Select From 1456 Models](#)

----- Manual continues below part list -----

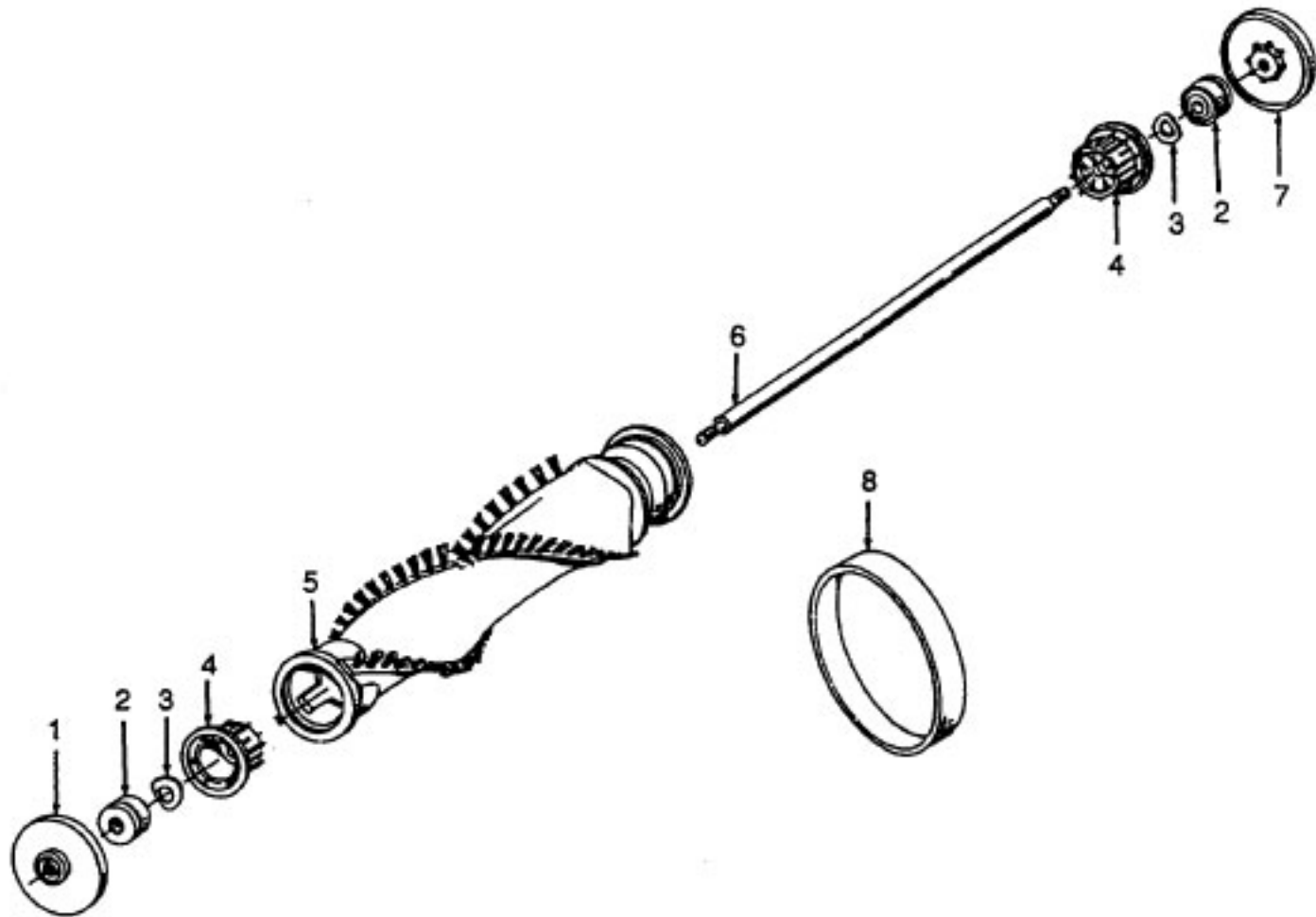
Available Replacement Parts for HOOVER U3725-930

H-40201030	BELT, FLAT, 2 pack
H-160147	BELT, FLAT, 1 PACK
H-4010001A	VACUUM BAG OEM HOOVER 3 PACK
H-43267002	AGITATOR BEARING ASM
K-109289	BULB



Agitator

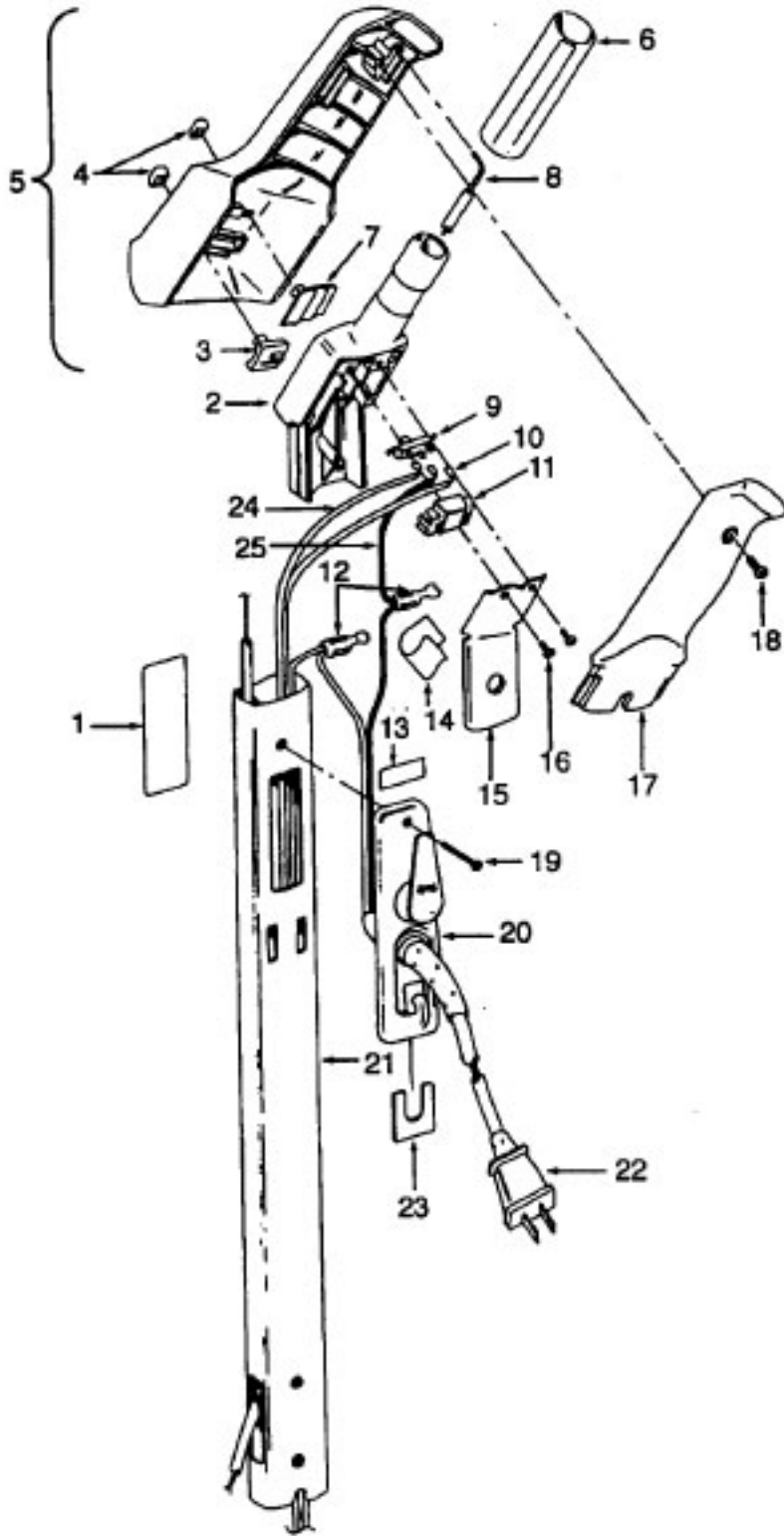
Models U3715-930, U3725-930, U3729-930, U3737-930
U3745-930, U6311-930, U6317-930, U6318-930 U6319-930,
U6321-930, U6335-930, U6323-930, U6329-930



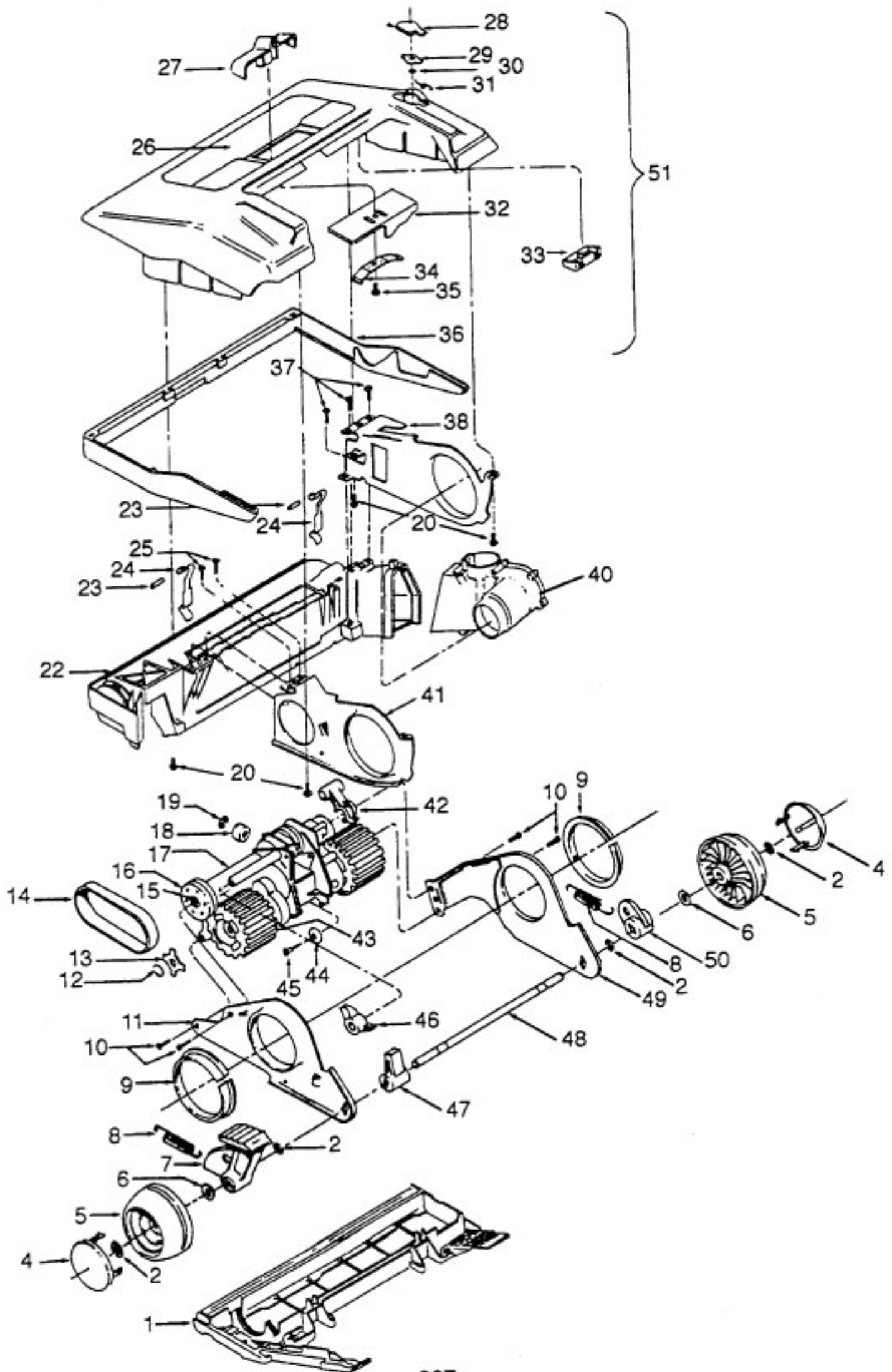
Ref. No.	Part No.	Description
	48414013	Agitator Assem. Comp. - AG
1	41435018	Thread Guard
2	43267002	Agitator Bearing Assem. (2)
3	21347003	Conical Washer (2)
4	36422022	Agitator End (2)
5	48414004	Agitator Body
6	160070	Agitator Shaft
7	41435021	Thread Guard - Knurled
8	38528008	Agitator Belt

PowerMAX - Handle

**Models U3715-930, U3721-910, U3721-930, U3725-930
U3729-910, U3729-930, U3737-910, U3737-930, U3745-910,
U3745-930**



Ref. No.	Part No.	Description
1	51669050	Handle Tube Nameplate - U3721-91 0
	51669051	Handle Tube Nameplate - U3729-91 0
	51669052	Handle Tube Nameplate - U3737-91 0
	51669053	Handle Tube Nameplate - U3745-91 0
	51669059	Handle Tube Nameplate - U3729-930, U3737-930, U3745-930
2	36957012	Handle Support
3	36142001	Drive Control Pin
4	38421021	Switch Button (2)
5	48663153	Handle Grip - Assem. - Upper - Incl. Items 3,4,7
6	31754002	Handle Sleeve
7	38421042	Switch Actuator
8	43211010	Control Cable
		66661203
9	28179021	Switch
10	27666702	Terminal (3)
11	37258082	Terminal Shield
12	12227	Insulated Terminal
13	51869001	Warning Label
14	NA	Tape
15	34777017	Handle Support Plate
16	21447218	Screw - Self-Tapping (2)
17	39458033	Handle Grip - Lower Half
18	21447041	Screw - Self-Tapping
19	21447122	Screw - Self-Tapping
20	42262063	Handle Cover/Cord Release
21	39467071	Handle Tube w/o Nameplate & Label (Ref. It's. 1 & 13) - U3729-91 0, U3729-930, U3737-91 0, U3737-930, U3745-91 0, U3745-930
		39467078
22	46383315	Cord
23	34253010	Cord Protection Retainer
24	46513008	Lead Wire (Switch/Motor)
25	46143064	Lead Wire (Switch/Conn./ Attach. Cord)



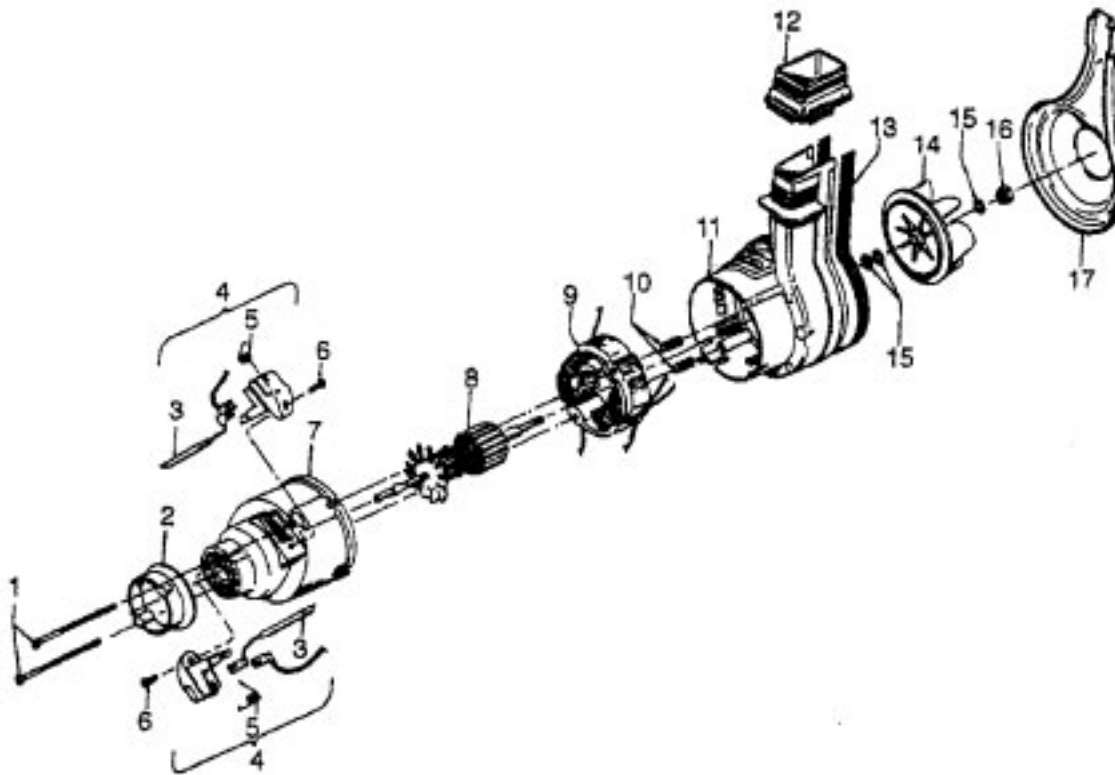
PowerMAX - Agitator Housing

Models U3715-930, U3725-930

Ref. No.	Part No.	Description	Ref. No.	Part No.	Description
1	37245087	Bottom Plate (Use with Molded Agitator)	28	37257174	Air Intake Assm. - ABC - U3715-930 (incl. It.'s 29,30)
2	13730	Lock Ring (4)		37257165	Air Intake Assm. - AAY - U3725-930 (incl. It.'s 29,30)
3	N/A				
4	37912013	Wheel Cover (2)	29	38784057	Seal
5	38522029	Rear Wheel (2)	30	21362006	Speed Nut
6	21312772	Washer (2)	31	38351016	Spring
7	38452087	Handle Release Lever - LH	32	38563015	Cam
8	38335014	Spring (2)	33	35131001	Hood Support
9	32155004	Bearing (2)	34	34751002	Detent Spring
10	17001FW	Screw - Self-Tapping	35	21447203	Screw - Self-Tapping
11	35476012	Frame - LH	36	36235082	Furniture Guard
12	160014	Retaining Ring	37	21447203	Screw - Self-Tapping (3)
13	160040AY	Keylock	38	35476027	Agitator Housing Bracket - RH
14	160147AG	Belt	39	N/A	
15	160031	Nut (P.D. Unit/Pulley)	40	43486005	Duct Assm.
16	38537001	Drive Pulley	41	35476016	Agitator Housing Bracket - LH
17	43124013	Power Drive Unit (Inc. items 10, 12(2), 13(2), 15, 16, 18, 19, 42, 43(2), 44, 45, 49)	42	38562013	Lifter - RH
18	31142014	Roller	43	163340AG	Drive Wheel
19	163699	Retaining Ring	44	32761003	Wheel
20	21447014	Screw - Self-Tapping (4)	45	21479782	Screw
21	N/A		46	38562010	Lifter - LH
22	42246064	Agitator Housing Assm.	47	38452048	Handle Release
23	31522016	Agitator Clip Pin (2)	48	32547002	Rear Axle
24	34788001	Agitator Clip (2)	49	41967004	Frame Assm. - RH
25	21447203	Screw - Self-Tapping	50	36131018	Spring Retainer
26	52115195	Hood Nameplate	51	42252331	Hood Assm. w/o Nameplate - U3715-930 (Ref. It. 26) - Incl. It.'s 27-36
27	38421084	Nozzle Adj. Lever - ABC - U3715-930		42252343	Hood Assm. w/o Nameplate - U3725-930 (Ref. It. 26) - Incl. It. 27-36
	38421080	Nozzle Adj. Lever - AAY - U3725-930			

Motor

Models U3315, U3315-070, U3317, U3319-9, U3319-970, U3321, U3323, U3329, U3331, U3335, U3341-900, U3715-930, U3721-910, U3721-930, U3725-930, U3729-910, U3729-930, U3737-910, U3737-930, U3745-910, U3745-930



Ref. No.	Part No.	Description
	43578074	Motor Assem. Comp.
1	21479573	Screw - Self Tapping (2)
2	32162003	Motor Mount
3	47315010	Brush & Terminal Assem. (2)
4	47318008	Brush Carrier Assem. (2)
5	38353004	Spring (2)
6	21479302	Screw - Self Tapping (2)
7	42193004	Motor Housing Assem.
8	44765065	Armature Assem. Comp.
9	45317027	Field Assem. Comp.
10	12854	Spring
11	43588001	Fan Chamber Assem.
12	38785002	Seal
13	54821001	Tape
14	38755003	Fan
15	166563	Washer (3)
16	33426001	Nut
17	38736015	Fan Cover Assem.