

PowerMAX

Models U3745-910, U3745-930

Ref. No.	Part No.	Description
1	48416009 48414013	Agitator Assem. - (P- 187) Agitator Assem. (Molded) (P-282) U3745-930
2		Agitator Housing - (P-265)
3	46383315	Cord
4	43143096	Actuator Bar Assem.
5	38511027	Pivot Bearing
6	33423007	Nut - Special
7	160058	Bolt - Special
8	160059	Washer
9	21641623	Nut
10	12227	Insulated Terminal (4)
11	42253121	Front Housing Assem. - Incl. It. 29-33
12	37254083	Front Cover w/o Nameplates - (Ref. It. 14 & 72)
13	48111006	Lens - Shield Assem.
14	51638046	Front Cover Nameplate (Dirt Finder Headlight)
15	37257003	Tool Door
16	38511002	Bearing
17	27479307	Cable Tie
18	38617024	Crevice Tool
19	38614029	Furniture Nozzle
20	43414145	Dusting Brush - Friction
21	42256114	Housing Cover
22	35123001	Front Cover Insert
23	46851024	PC Board
24	34287040	Insulator
25	38421040	Button
26	-	Handle Assem. - (P-263)
27	-	Tape
28	31735007	Insulating Tube
29	35152008	Handle Mounting Bracket - Front Half
30	36913016	Handle Insulator Support
31	35152011	Handle Mounting Bracket - Rear Half
32	168278AY	Washer
33	21254008	Rivet
34	43211010	Control Cable & Tube
35	36433090	Hose Rack
36	21447217	Screws - Self-Tapping (2)
37	43452010	Extension Tube (2)
38	43434088	Cleaning Tool Hose
39	38334002	Spring
40	35111002	Drawer
41	57363002	Scent Tablet (4 Pk.)
42	51639104	Bag Cover Nameplate
43	37959085	Bag Cover
44	37959090	Hanger
45	N/A	Outer Bag
46	36425037	Jacket Support
47	4010100A	Throw Away Bag (3 Pk.)
48	36131050	Jacket Retainer (2)
49	36116014	Hose Connector Collar
50	32288011	Hose Adapter - AG
51	32377004	Hose Connector
52	31178013	Hose Gasket
53	21447025	Screw - Self-Tapping (2)
54	21563001	Machine Screw (2)
55	21447019	Screw - Self-Tapping (2)
56	43576074	Motor Assem. (P- 1 88)
57	32175011	Motor Mount
58	32156007	Seal Ring
59	32155006	Mount Ring
60	21447012	Screw - Self-Tapping
61	38657010	Top Fill Tube
62	36425008	Jacket Bottom
63	39442040	Cord Wrap - Lower

Ref. No.	Part No.	Description
64	37195100	Motor Cover
65	21447013	Screw - Self-Tapping (3)
66	27617103	Connector (2)
67	27479307	Cable Tie
68	47176001	Lamp Socket Assem. (2)
69	27313101	Dirt Finder Lamp (2)
70	37257092	Rear Cover
71	43677352	Jacket Assem. - Comp.
72	52115180	Housing Nameplate (PowerMAX)
	52115194	Housing Nameplate (PowerMAX) - U3745-930

ITEMS NOT ILLUSTRATED

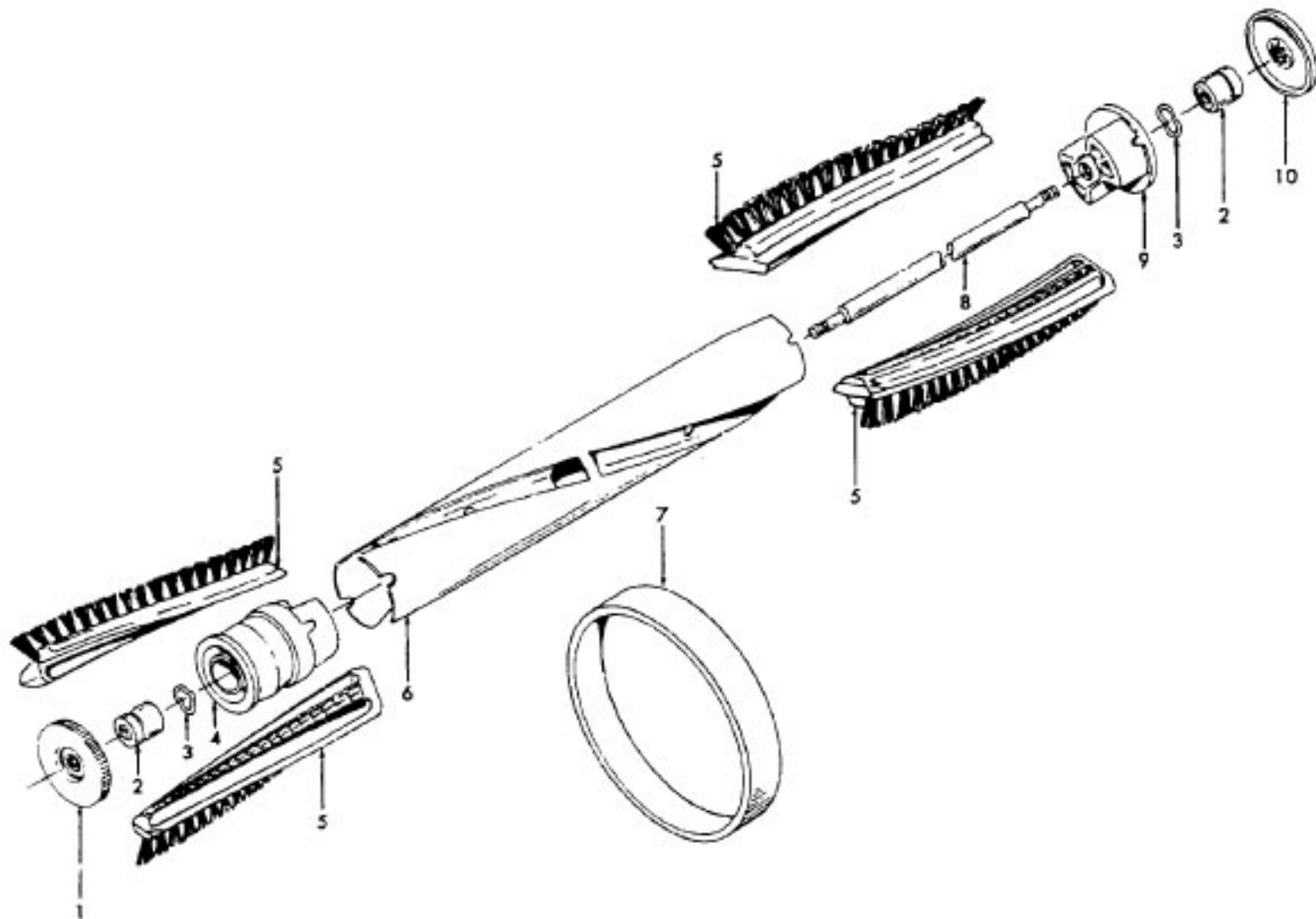
19555	Spring Washer
21447003	Screw - Self Tapping (Retainer)
34124011	Retainer
31322001	Roller (Frt. Hsg./Valve)
21312705	Washer (Frt. Hsg./Roller)
12097AW	Roller Pin (Frt. Hsg./Roller)
34161008	Light Barrier - Fiber (Frt. Hsg.)
170975	Wrench - Special (This is a 1/2" 12 point, deep offset box wrench used on Item 7, Part 160058 Bolt, in conjunction with the adjustment of the control cable.)

PACKAGING MATERIAL

56511371	Owner Manual
56511024	Owner Manual
58152092	Carton
58152101	Carton - U3745-930
58211013	Lower Support
58249004	Front Support
58341010	Handle Support
58268002	Top Handle Support

Agitator

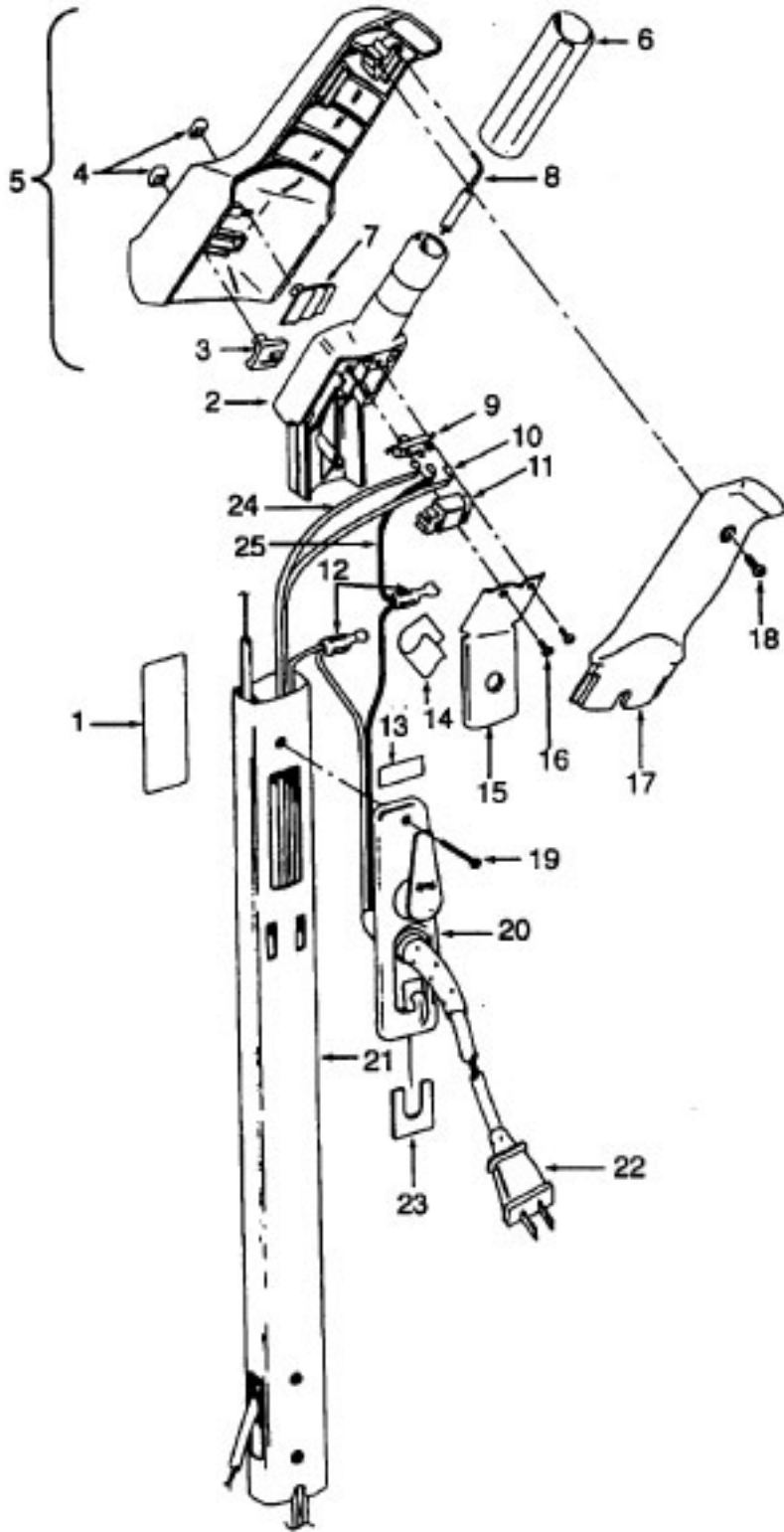
Models U3315, U3315-070, U3317, U3319-9, U3319-970, U3321, U3323, U3329, U3331, U3335, U3341-900, U3721-910, U3721-930, U3729-910, U3737-910, U3745-910



Ref. No.	Part No.	Description
	48414019	Agitator Assm. Comp. - U3315-070, U3341-900, U3721-910, U3729-910
	48416009	Agitator Assm. Comp. - U3315, U3317, U3319-9, U3319-970, U3321, U3323, U3329, U3331, U3335, U3721-930, U3737-910, U3745-910
1	41435021	Thread Guard
2	43267002	Agitator Bearing Assm. (2)
3	21347003	Conical Washer (2)
4	38537002	Agitator End Pulley
5	48445019	Agitator Brush (4)
	48445016	Agitator Brush (2) - U3315-070, U3341-900, U3721-910, U3729-910
6		(Not Available)
7	38528008	Agitator Belt
8	160070	Agitator Shaft
9	41435023	Agitator End
10	41435018	Thread Guard

PowerMAX - Handle

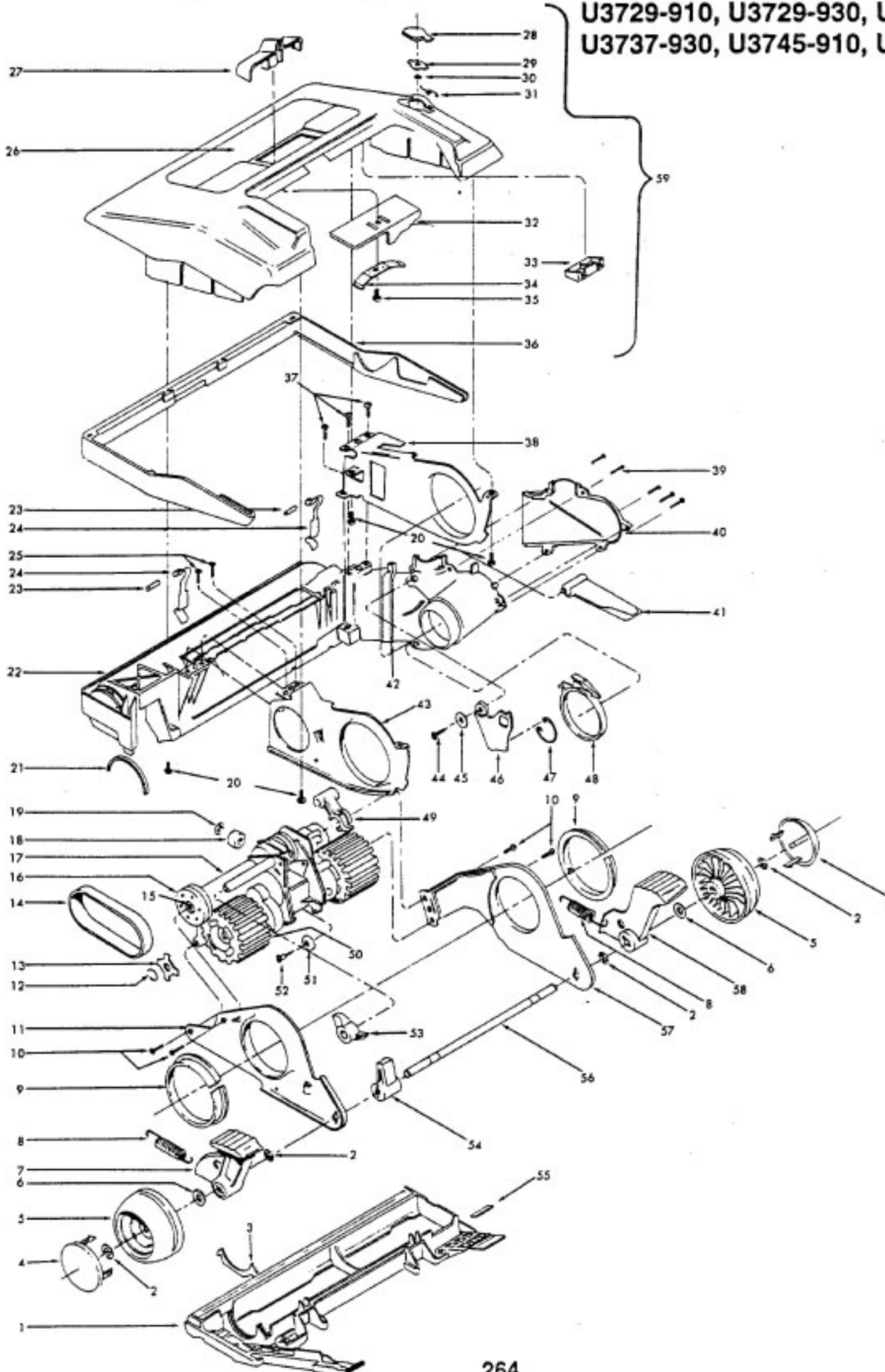
**Models U3715-930, U3721-910, U3721-930, U3725-930
U3729-910, U3729-930, U3737-910, U3737-930, U3745-910,
U3745-930**



Ref. No.	Part No.	Description
1	51669050	Handle Tube Nameplate - U3721-91 0
	51669051	Handle Tube Nameplate - U3729-91 0
	51669052	Handle Tube Nameplate - U3737-91 0
	51669053	Handle Tube Nameplate - U3745-91 0
	51669059	Handle Tube Nameplate - U3729-930, U3737-930, U3745-930
2	36957012	Handle Support
3	36142001	Drive Control Pin
4	38421021	Switch Button (2)
5	48663153	Handle Grip - Assem. - Upper - Incl. Items 3,4,7
6	31754002	Handle Sleeve
7	38421042	Switch Actuator
8	43211010	Control Cable
	66661203	Control Cable Tube
9	28179021	Switch
10	27666702	Terminal (3)
11	37258082	Terminal Shield
12	12227	Insulated Terminal
13	51869001	Warning Label
14	NA	Tape
15	34777017	Handle Support Plate
16	21447218	Screw - Self-Tapping (2)
17	39458033	Handle Grip - Lower Half
18	21447041	Screw - Self-Tapping
19	21447122	Screw - Self-Tapping
20	42262063	Handle Cover/Cord Release
21	39467071	Handle Tube w/o Nameplate & Label (Ref. It's. 1 & 13) - U3729-91 0, U3729-930, U3737-91 0, U3737-930, U3745-91 0, U3745-930
	39467078	Handle Tube w/o Nameplate & Label (Ref. It's. 1 & 13) - U3715-930, U3721-910, U3721-930, U3725-930
22	46383315	Cord
23	34253010	Cord Protection Retainer
24	46513008	Lead Wire (Switch/Motor)
25	46143064	Lead Wire (Switch/Conn./ Attach. Cord)

PowerMAX - Agitator Housing

Models U3721-910, U3721-930,
U3729-910, U3729-930, U3737-910,
U3737-930, U3745-910, U3745-930



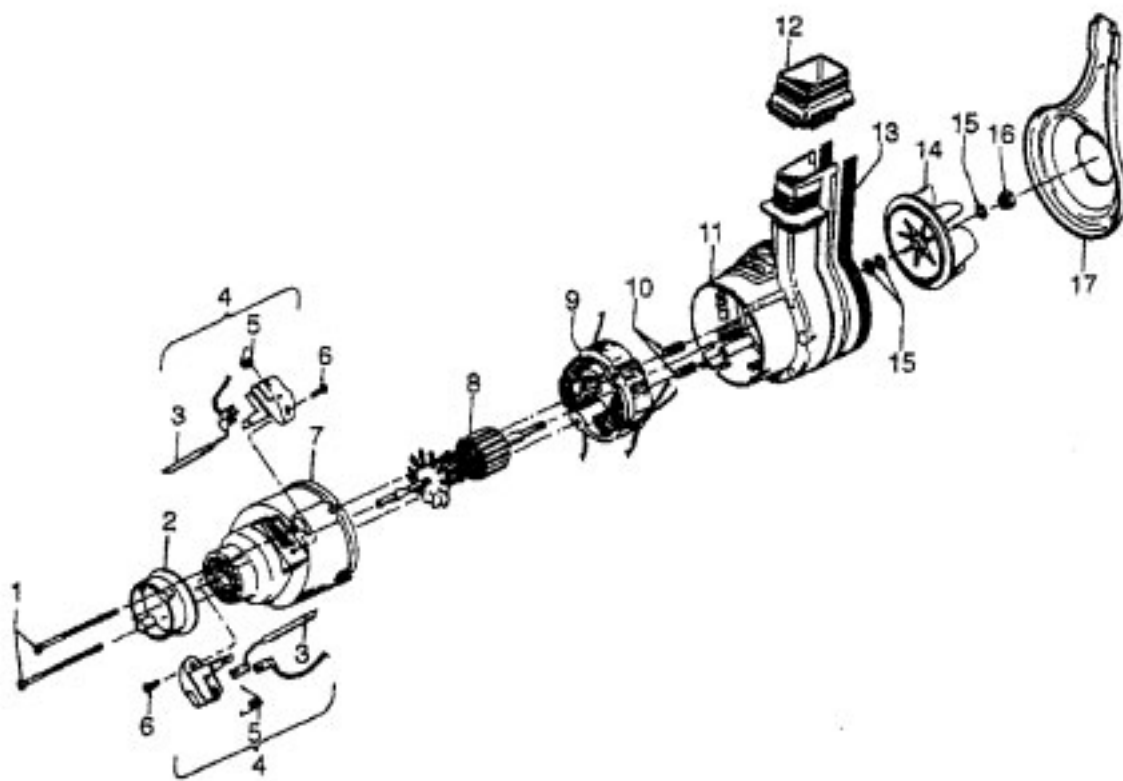
PowerMAX - Agitator Housing

**Models U3721-910, U3721-930, U3729-910, U3729-930,
U3737-910, U3737-930, U3745-910, U3745-930**

Ref. No.	Part No.	Description	Ref. No.	Part No.	Description
1	37245087 37245089	Bottom Plate (Use with Metal Agitator) Bottom Plate (Use with Molded Agitator) - U3729-930, U3737-930, U3745-930	29	38784057	Seal
2	13730	Lock Ring (4)	30	21362006	Speed Nut
3	38781006	Agitator Pulley Sea[- Lower	31	38351016	Spring
4	37912013	Wheel Cover (2)	32	38563015	Cam
5	38522029	Rear Wheel (2)	33	35131001	Hood Support
6	21312772	Washer (2)	34	34751002	Detent Spring
7	38452087	Handle Release Lever - LH	35	21447203	Screw - Self-Tapping
8	38335014	Spring (2)	36	36235082	Furniture Guard
9	32155004	Bearing (2)	37	21447203	Screw - Self-Tapping (3)
10	17001FW	Screw - Self-Tapping (2)	38	35476027	Agitator Housing Bracket - RH
11	35476012	Frame - LH	39	21479345	Screw - Self-Tapping (5)
12	160014	Retaining Ring	40	38715002	Valve Duct Cover
13	160040AY	Keylock	41	38718006	Valve Door
14	160147AG	Belt	42	34513006	Duct Seal
15	160031	Nut (P.D. Unit/Pulley)	43	35476016	Agitator Housing Bracket - LH
16	38537001	Drive Pulley	44	21479345	Screw - Self-Tapping
17	43124013	Power Drive Unit (Inc. items 10, 12(2), 13(2), 15, 16, 18, 19, 49, 51, 52, 57, drive wheel (2))	45	21312801	Washer
18	31142014	Roller	46	38567006	Valve Drive Crank
19	163699	Retaining Ring	47	36132001	Valve Spring
20	21447014	Screw - Self-Tapping (4)	48	38563017	Actuator Ring
21	12173	Pulley Seal - Upper	49	38562013	Lifter - RH
22	42246126	Agitator Housing - Valve Assem.	50	163340AG	Drive Wheel
23	31522016	Agitator Clip Pin (2)	51	32761003	Wheel
24	34788001	Agitator Clip (2)	52	21479782	Screw
25	21447217	Screw - Self-Tapping	53	38562010	Lifter - LH
26	52115179 52115195	Hood Nameplate Hood Nameplate - U3721-930, U3729-930, U3737-930, U3745-930	54	38452048	Handle Release
27	38421080	Nozzle Adj. Lever - U3721-910, U3721-930	55	34122019	Bottom Plate Duct Seal
	38421081	Nozzle Adj. Lever - U3729-910, U3729-930	56	32547002	Rear Axle
	38421082	Nozzle Adj. Lever - U3737-910, U3737-930	57	41967004	Frame Assem. - RH
	38421083	Nozzle Adj. Lever - U3745-910, U3745-930	58	38452088	Handle Release Lever - RH
28	37257165	Air Intake Assem. - U3721-910, U3721-930 - (Incl. It. 29,30)	59	42252310	Hood Assem. w/o Nameplate (Ref. It. 26) - U3721-910, U3721-930 Incl. It. 27-36
	37257166	Air Intake Assem. - U3729-910, U3729-930 - (Incl. It. 29,30)		42252311	Hood Assem. w/o Nameplate (Ref. It. 26) - U3729-910, U3729-930 Incl. It. 27-36
	37257167	Air Intake Assem. - U3737-910, U3737-930 - (Incl. It. 29,30)		42252312	Hood Assem. w/o Nameplate (Ref. It. 26) - U3737-910, U3737-930 Incl. It.'s 27-36
	37257168	Air Intake Assem. - U3745-910, U3745-930 - (Incl. It.'s. 29,30)		42252313	Hood Assem. w/o Nameplate (Ref. It. 26) - U3745-910, U3745-930 Incl. It. 27-36

Motor

Models U3315, U3315-070, U3317, U3319-9, U3319-970, U3321, U3323, U3329, U3331, U3335, U3341-900, U3715-930, U3721-910, U3721-930, U3725-930, U3729-910, U3729-930, U3737-910, U3737-930, U3745-910, U3745-930



Ref. No.	Part No.	Description
	43578074	Motor Assem. Comp.
1	21479573	Screw - Self Tapping (2)
2	32162003	Motor Mount
3	47315010	Brush & Terminal Assem. (2)
4	47318008	Brush Carrier Assem. (2)
5	38353004	Spring (2)
6	21479302	Screw - Self Tapping (2)
7	42193004	Motor Housing Assem.
8	44765065	Armature Assem. Comp.
9	45317027	Field Assem. Comp.
10	12854	Spring
11	43588001	Fan Chamber Assem.
12	38785002	Seal
13	54821001	Tape
14	38755003	Fan
15	166563	Washer (3)
16	33426001	Nut
17	38736015	Fan Cover Assem.