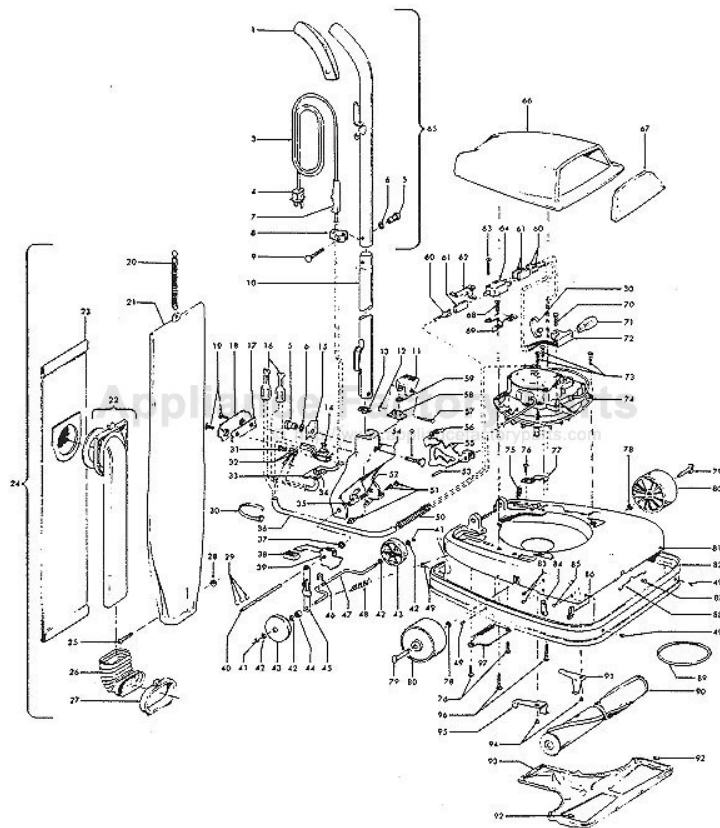


This Owner's Manual is provided and hosted by [Appliance Factory Parts](#).



HOOVER U4125 Owner's Manual

[Shop genuine replacement parts for HOOVER U4125](#)

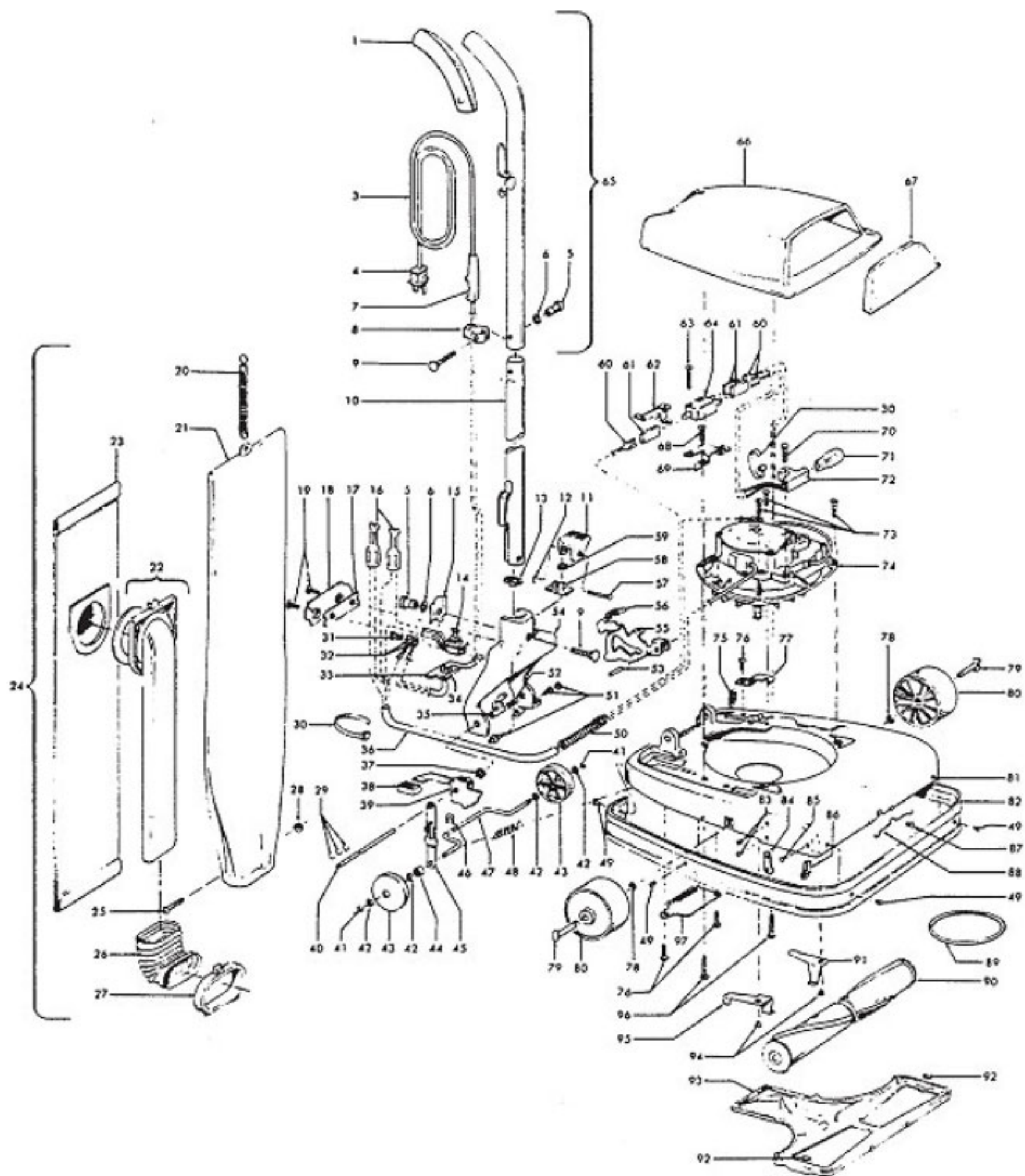


[Find Your HOOVER Vacuum Cleaner Parts - Select From 1456 Models](#)

----- Manual continues below part list -----

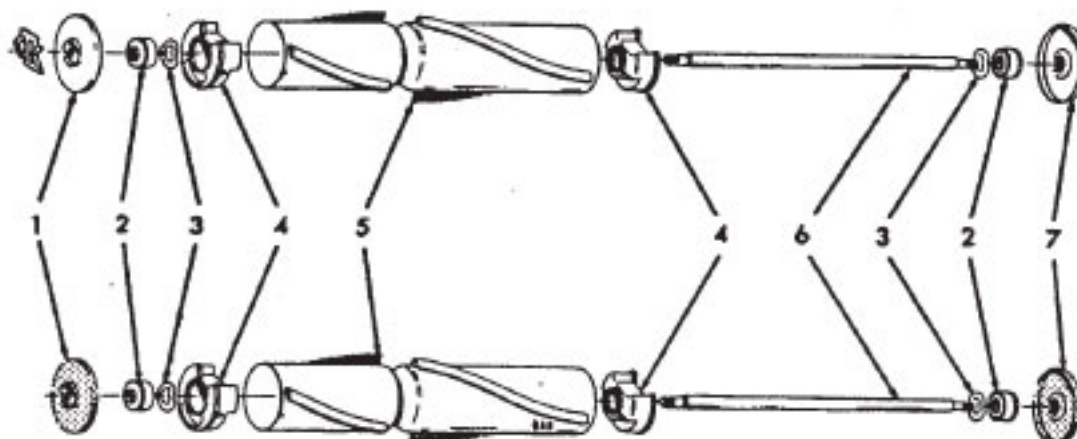
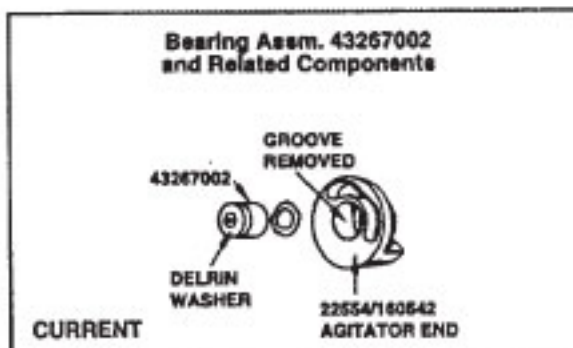
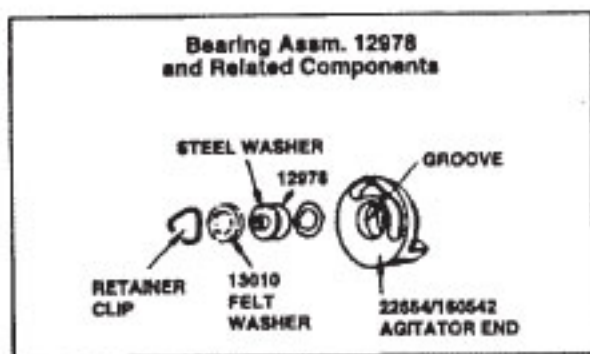
Available Replacement Parts for HOOVER U4125

H-4010001A	VACUUM BAG OEM HOOVER 3 PACK
H-43267002	AGITATOR BEARING ASM



Models U4125, U4313

Ref. No.	Part No.	Description	Ref. No.	Part No.	Description
1	23458PH	Handle Grip	51	11735	Roller Detent Assm.
3	46383137	Attach. Cord - T - U4125	52	48409FW	Bag Flange Clamp Lever Spring
	46583031	Cord - U4313	53	47450AY	Pivot Pin
4	25064	Plug - U4313	54	41416010	Bail - AG
5	46294AW	Handle Bolt & Nut - U4125	55	43137036	Handle Control Lever
	32277008	Nut - U4313	56	38426080	Foot Pad
6	13704	Washer	57	613802AY	Shaft - U4125 after Ser. #45566 & U4313
7	36215021	Cord Protector - NM - U4313	58	35217006	Mounting Bracket - U4125 after Ser. #45566 & U4313
8	14492	Cord Clamp - (Plastic) - U4125	59	12560	Switch Nut
	34785017	Cord Retainer Clip - (Metal) - U4313	60	14197	Terminal
9	46294AW	Handle Bolt & Nut - U4125	61	160472	Insulating Pod
	21631302	Bolt - U4313	62	38452028	Switch Actuator
10	48631006	Handle - Lower Half	63	23254001	Screw
11	38424003	Switch Pedal - U4125 after Ser. #45566 & U4313	64	19513AG	Switch
12	24735022	Circlip - U4125 after Ser. #45566 & U4313	65	48644022	Handle - Upper Half - AX (It's 5,6,8,9 Not Included)
13	37911035	Handle Plug	66	161649JM	Hood & Lens - (Order Lens # 16295CA)
14	26212017	Switch		42251297	Hood & Lens
15	35463002	Handle Retainer Plate - AW	67	162954CA	Lens
16	12227	Insulated Terminal - U4125	68	14279	Screw
	48969	Wire Nut - U4313	69	34771001	Switch Bracket
17	36215002	Lead Wire Protector - U4125 after Ser. #45566 & U4313	70	17001FW	Screw - U4313
18	37954001	Ball Cover Plate		45355	Screw - U4125
19	21481273	Screw - Self Tapping	71	42241	Dirt Finder Lamp - U4125
20	36336014	Bag Support Spring		27313101	Dirt Finder Lamp - U4313
21	43677117	Outer Bag - Stripped - JM/ML	72	17016	Dirt Finder Socket Assm. - U4125
	43677322	Outer Bag - Checked - PH/DS		36912004	Dirt Finder Socket Assm. - U4313
22	43482058	Top Fill Tube & Seal (Shown)	73	45355	Machine Screw
	38657004	Top Fill Tube (Push on Type)	74	43574140	Motor - U4125, U4313
23	4010001A	Throw Away Bag (3 Pack)	75	12559FW	Handle Control Lever Spring
24	43678330	Outer Bag Comp. -Common	76	21767082	Machine Screw
	43678307	Outer Bag Comp. - Checked - PH/DS	77	34665007	Pivot Pin Retainer
25	21765159	Screw - Machine	78	13730	Lock Ring (2)
26	38673009	Bellows	79	47457AY	Carrier Wheel Shaft (2)
27	41424011	Bag Flange & Gasket	80	34791AG	Carrier Wheel (2)
28	15854EF	Nut	81	42242064	Main Casting - Polished
29	13730	Lock Ring (3)	82	36231038	Furniture Guard - PH
30	27479307	Lead Wire Tie	83	48422	Rivet - Tubular (4)
31	23187363	Screw - Sems	84	34355002	Agitator Support Plate (2)
32	27661503	Ring Terminal - U4313	85	32243001	Agitator Clamp Support Rivet (2 Req.)
33	34223004	Strain Relief Mounting Plate	86	47259AY	Agitator Clamp Spring (2)
34	39049	Strain Relief	87	161882	Rivet Tubular
35	19907	Bag Flange Clamp Lever	88	34439	Bottom Plate Spring
36	31727010	Cord Cover Tubing	89	49258AG	Belt
37	161507	Washer (Use w/Metal Nozzle Adj. Lever)	90	41435005	Agitator
38	38426071	Foot Pad - U4125	91	35446005	Bottom Plate Latch - L.H.
	38426072	Foot Pad - U4313	92	34111001	Support Pad (2)
39	43137013	Nozzle Adj. Lever - U4125	93	42246008	Bottom Plate
	161571JM	Nozzle Adj. Lever - Metal (Use w/161514 Cam Follower) - U4313	94	12456	Rivet - Tubular (2)
	38452051	Nozzle Adj. Lever - Plastic (Use w/43263003 Cam Follower) - U4313	95	35446003	Bottom Plate Latch - R.H.
40	161509AY	Bail Shaft	96	16903	Screw - Self Tapping (2) (Use on Hoods w/Capserts)
41	17207AZ	Lock Ring - Metal (2) (Use w/ 33141015)		21447020	Screw - Self Tapping (2) (Use on Hoods w/o Capserts)
	32182001	Wheel Retainer - Plastic (2) - (Use w/33152003)	97	35434040	Axle / Bag Flange Retainer
42	21312772	Washer - Use 1 w/33152003; Use 4 w/33141015	ITEMS NOT ILLUSTRATED		
43	38521041	Rear Wheel		51661008	Medallion - U4125
44	31148004	Spacer		36215021	Cord Retainer - Formed (Bail) - U4125 after Ser. #45566
45	161514	Cam Follower - Metal (Use w/43137013 & 161571JM)	PACKAGING MATERIAL		
	43263003	Cam Follower - Plastic (Use w/ 38452051)		58173039	Carton - Common
46	34252005	Yoke		58343025	Front Support
47	33141015	Rear Wheel Shaft (Use w/17207AZ Lock Ring)		58366012	Rear Support
	33152003	Rear Wheel Shaft (Use w/32182001 Wheel Retainer)		56511053	Owner Manual - U4125
48	161513	Spring		56511150	Owner Manual - U4313
49	32242004	Rivet - Tubular (6)			
50	38313023	Motor Lead Spring			



Ref. No.	Part No.	Description
1	49180 36423003	Thread Guard & Spring (Metal) Thread Guard L.H. (Molded)
2	43267002	Bearing
3	21347003	Thrust Washer
4	22554 160542 41435070	Agitator End (Early Model Standard Performance Cleaners, L.H. Helix) Agitator End (Standard & High Performance Cleaners, R.H. Helix) Agitator End (Use w/two brush agitator Pt. #48414021)
5	12998BZ 160646BZ 48445001	Agitator Brush - 8 mil (Early Model Standard Performance Cleaners, L.H. Helix) Agitator Brush - 8 mil (Standard Performance Cleaners, R.H. Helix) Agitator Brush - 11 mil (High Performance Cleaners, R.H. Helix)
6	12981 32724008	Agitator Shaft (Used w/metal thread guards) Agitator Shaft (Used w/molded thread guards)
7	12985AY 36423007	Thread Guard R.H. (Metal) Thread Guard R.H. (Molded)

AGITATOR BELT

49258AG	Domestic models, Convertible/Decade 80/Heavy Duty Commercials
44783AG	Lightweight Commercials

AGITATOR ASSEMBLY

169371MF	Standard Performance, R.H. Helix (Metal Thread Guards)
41435005	High Performance Cleaners, R.H. Helix (Metal Thread Guards w/Spdng)
48414006	High Performance Cleaners, R.H. Helix (Metal Thread Guards)
48414007	Standard Performance, R.H. Helix (Molded Thread Guards)

FOUR BRUSH AGITATOR ASSEMBLY

48414002	Heavy Duty Commercial (Use 47159 Brush-Long, 47160 Brush-Short & 46875 Sems Fastener)
48414003	Lightweight Commercial (Use 160646BZ Brush & 36422003 Agitator End)

TWO BRUSH W/O BEATER BAR

48414021	Agitator (Molded Thread Guards)
----------	---------------------------------