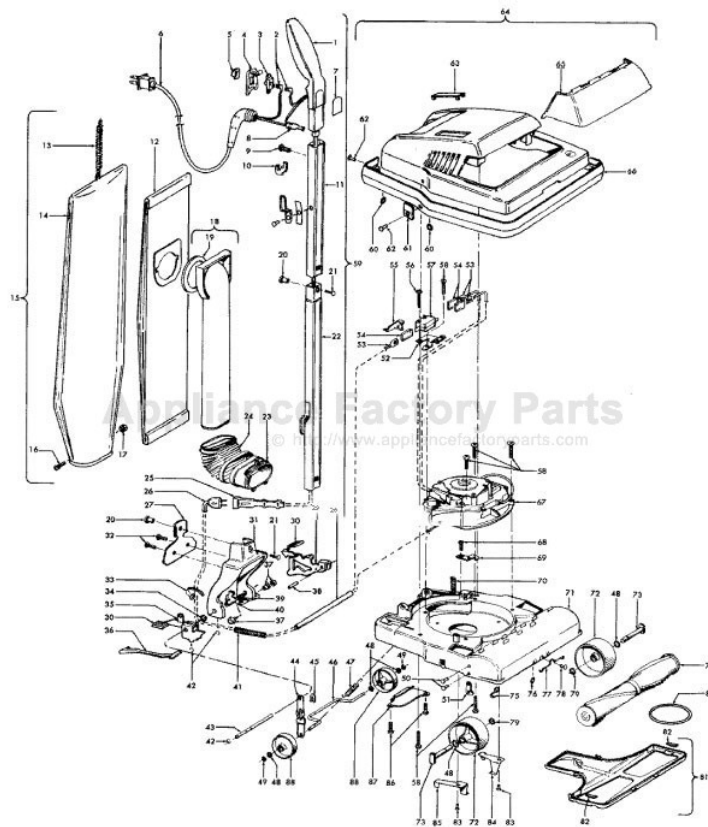


This Owner's Manual is provided and hosted by [Appliance Factory Parts](http://www.appliancefactoryparts.com).



# HOOVER U4151 Owner's Manual

[Shop genuine replacement parts for HOOVER U4151](#)

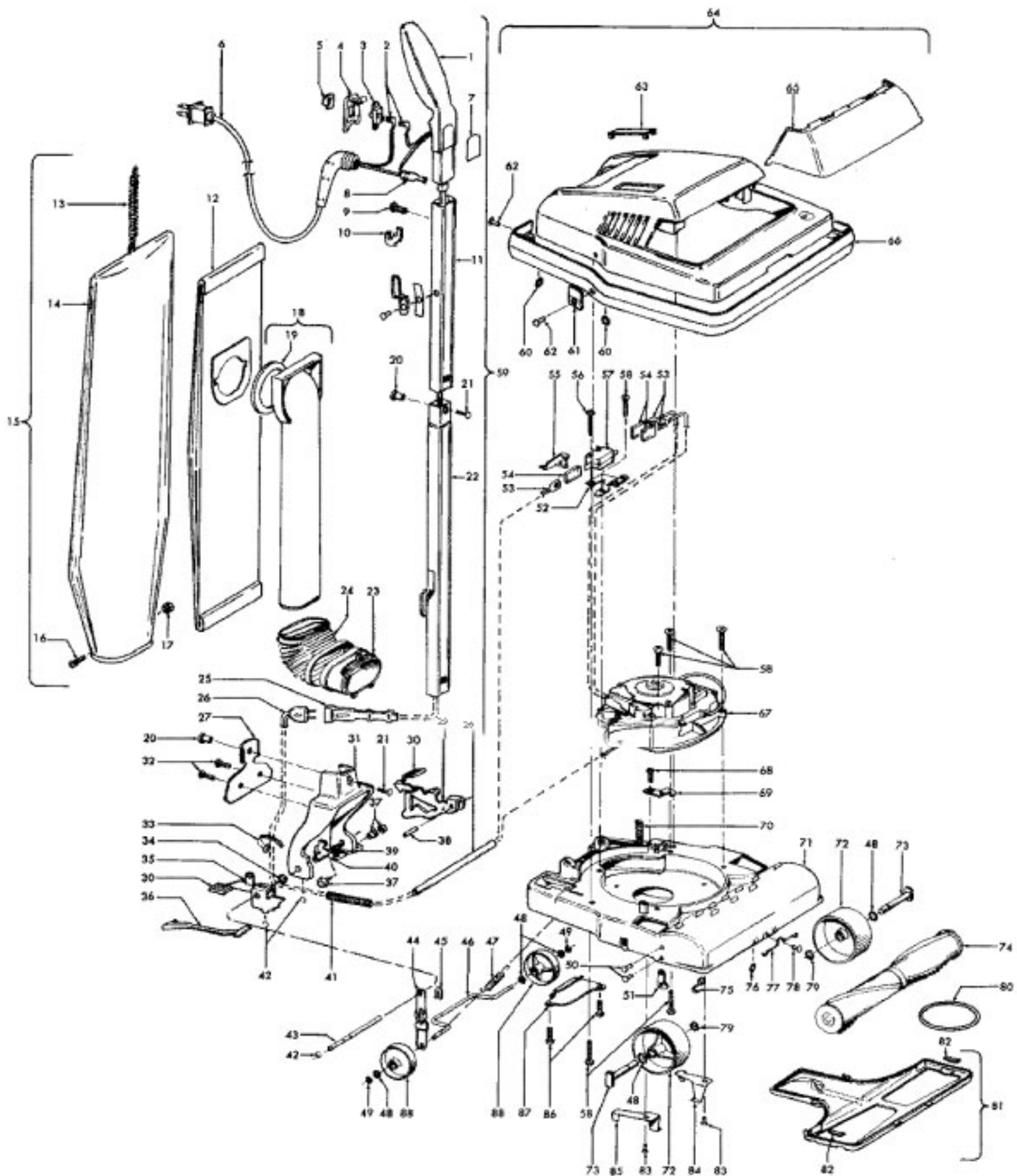


[Find Your HOOVER Vacuum Cleaner Parts - Select From 1456 Models](#)

----- Manual continues below part list -----

## Available Replacement Parts for HOOVER U4151

<a href="#">H-4010001A</a>	VACUUM BAG OEM HOOVER 3 PACK
<a href="#">H-43267002</a>	AGITATOR BEARING ASM
<a href="#">H-49258</a>	ROUND CONVERTIBLE/DECADE BELT FOR HOOVER



Model Number: U4151--

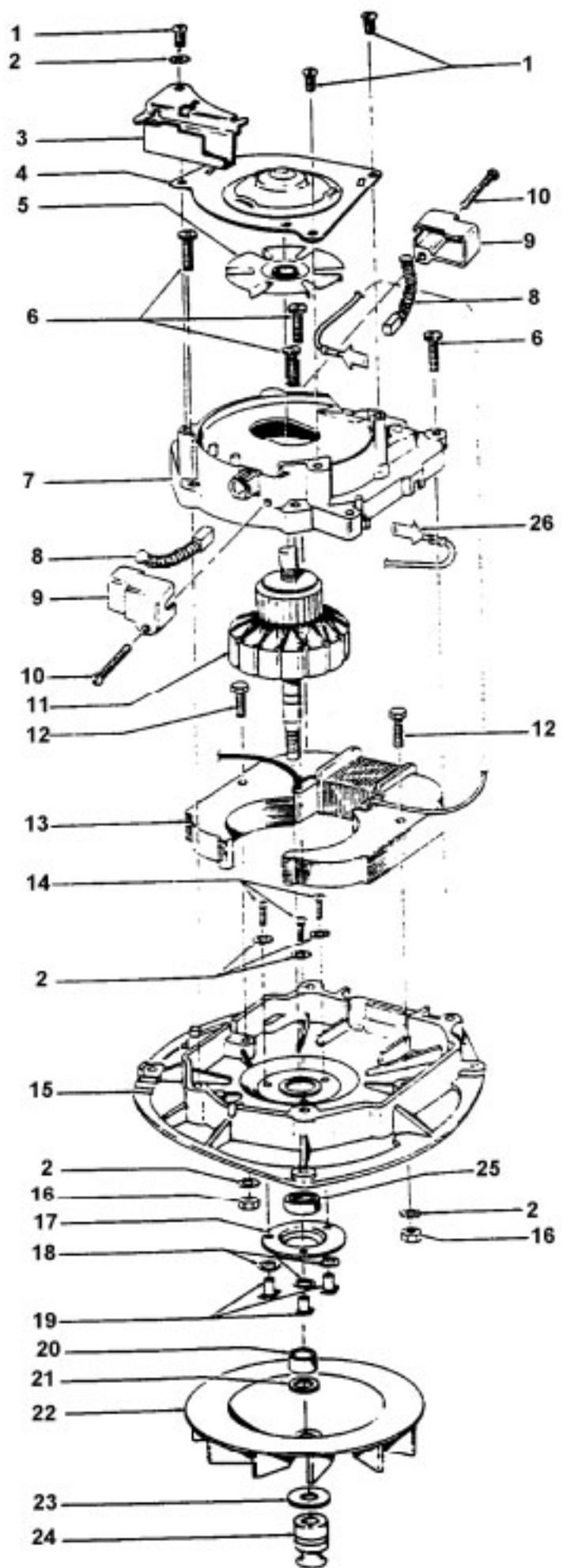
BOM/Serial #: U4151--

Graphic Title: HANDLE, MAINBODY, OUTERBAG, HOOD

Image	Key	Part Number	Description	Substitution	Qty.
1	1	39454060	HANDLE GRIP ASSEM-CO		1
1	2	27666702	TERMINAL		2
1	3	281770KD	SWITCH - S2095		1
1	4	37258015	SWITCH COVER-KT-U415		1
1	5	38421012	SWITCH BUTTON		1
1	6	46383304	ATTACHMENT CORD		1
1	7	51663003	HANDLE GRIP NAMEPLAT		1
1	8	012227--	TERMINALS-0513		1
1	9	166735EF	SCREW - S3005		1
1	10	39442001	BAG SUPPORT-JM		1
1	11	48631071	HANDLE-UPPER HALF-JM		1
1	12	4010001A	TOP FILL UPR BAG - 3-PK		1
1	13	38336014	SUPPORT SPRING		1
1	14	43677322	OUTER BAG-COM-TOP FI		1
1	15	43678330	OUTER BAG COMP-COM-T		1
1	16	21765159	SCREW		1
1	17	015854EF	NUT		1
1	18	38657004	TOP FILL TUBE		1
1	18	43482058	TOP FILL TUBE & SEAL	38657004	1
1	19	32174004	BAG COLLAR SEAL		1
1	20	32277008	HANDLE CLAMP NUT		2
1	21	21631301	HANDLE CLAMP BOLT		2
1	22	48631020	HANDLE-LOWER HAFL-JM		1
1	23	41424011	BAG FLANGE W/SEALANT		1
1	24	38673009	BELLOWS-JM		1
1	25	46326070	HANDLE PLUG RECEPTAC		1
1	26	46323105	PLUG/TUBING ASSM-U41		1
1	27	34777012	BAIL COVER PLATE-AY		1
1	28	31727023	CORD COVER TUBING-JM		1
1	29	43137036	HDL CONT LEVER-JM		1
1	30	38426080	FOOT PAD-AG -C1E03		2
1	31	41416026	BAIL ASSEM-JM		1
1	32	21465312	SCREW-SELF TAPPING		2
1	33	27479307	CABLE TIE		1
1	34	161507--	WASHER		1

Image	Key	Part Number	Description	Substitution	Qty.
1	35	38456044	NOZ ADJ LEVER-AG		1
1	35	43137013	NOZ ADJ LEVER-JM		1
1	36	51151034	INDICATOR-AG-PRINTED	51151037	1
1	37	011735--	HANDLE CONT ROL PIN	12002663	1
1	38	047450AY	PIVOT PIN		1
1	39	048409FW	SPRING		1
1	40	019907--	BAG FLANGE CLAMP LEVER		1
1	41	38313023	MOTOR LEAD SPRING		1
1	42	013730--	LOCK RING		3
1	43	161509AY	BAIL SHAFT		1
1	44	43263005	CAM FOLLOWER-PLASTIC		1
1	44	43263001	CAM FOLLOWER ASSM-U4		1
1	45	34252005	YOKE		1
1	46	33152003	REAR WHEEL SHAFT		1
1	46	33141011	REAR WHEEL SHAFT COM	33152003	1
1	47	161513--	SPRING		1
1	48	21312772	WASHER		3
1	49	017207AZ	LOCK RING-1060		2
1	49	32182001	WHEEL RETAINER		2
1	50	048422--	RIVET		4
1	51	34355002	AGITATOR SUPPORT <del>PLA</del>		2
1	52	34771001	SWITCH BRACKET		1
1	53	014197--	TERMINAL		3
1	54	160472--	INSULATING POD		3
1	55	38452028	SWITCH ACTUATOR		1
1	56	23254001	SCREW ASSM		1
1	57	019513AG	SWITCH-U4313		1
1	58	21447020	SCREW		6
1	59	48652045	HANDLE ASSM COMP-KW-		1
1	60	168278AY	WASHER		4
1	61	36951004	RETAINER-BU-U4153		2
1	62	12997AW-	RIVET	012997AW	4
1	63	48111008	INDICATOR LENS		1
1	64	42251107	HOOD JMLU-U4321		1
1	65	37246024	PANEL-KX U4151		1
1	66	36231031	FURNITURE GUARD-LY-C		1
1	67	43574141	MOTOR		1
1	68	21447020	SCREW		1

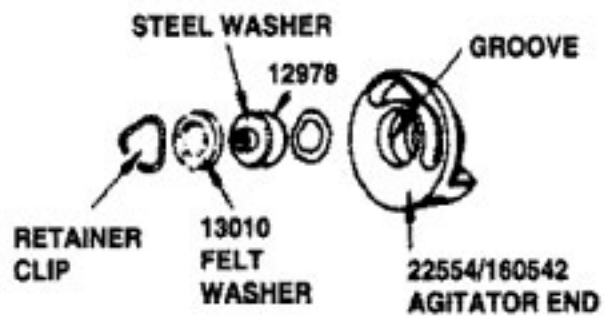
Image	Key	Part Number	Description	Substitution	Qty.
1	69	34665007	PIVOT PIN RETAINER		1
1	70	012559FW	SPRING-1060		1
1	71	42242189	MAIN BODY-KE-U4153		1
1	72	38522013	CARRIER WHEEL-AG		2
1	73	047457AY	FRONTWHEEL SHAFT		2
1	74	41435005	AGITATOR ASSEM COMP-	48414003	1
1	75	34784021	AGITATOR RETAINING S		2
1	76	21312703	WASHER		1
1	77	012138FW	BOTTOM PLATE SPRING		1
1	78	012503EF	RIVET-SEMI TUBULAR		1
1	79	013730--	LOCK RING		2
1	80	049258AG	BELT-CONVERTIBLE		1
1	81	42246038	BOTTOM PLATE		1
1	82	34111001	SUPPORT PAD		2
1	83	012456--	RIVET		2
1	84	35446005	BOTTOM PLATE LATCH L		1
1	85	35446003	BOTTOM PLATE LATCH-R		1
1	86	21447009	SCREW		2
1	87	35434040	AXLE/BAG FLANGE RETA		1
1	88	38521016	REAR WHEEL-AG		2
1	89	56511132	OWNER MANUAL -		1
1	89	58343025	FRONT SUPPORT-C1067		1
1	89	58366012	REAR SUPPORT - U4391		1



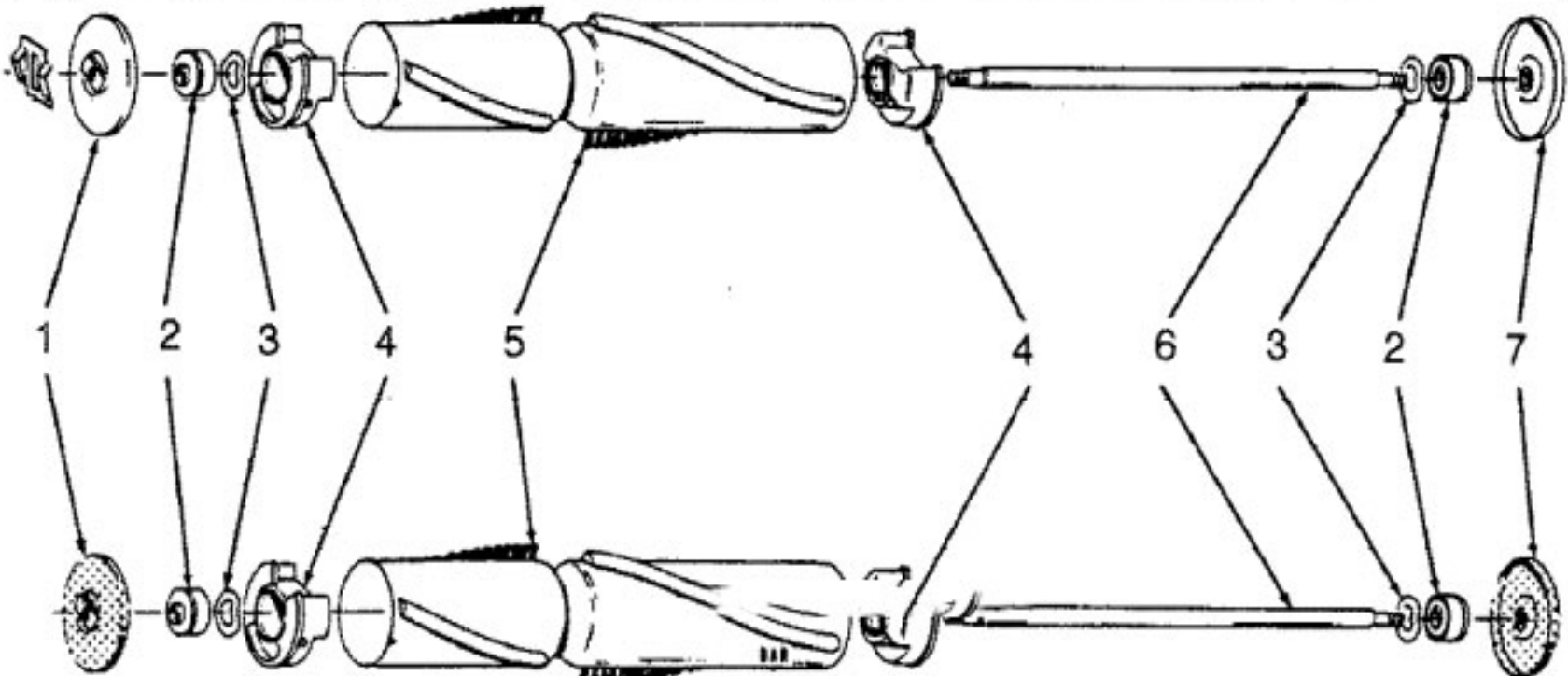
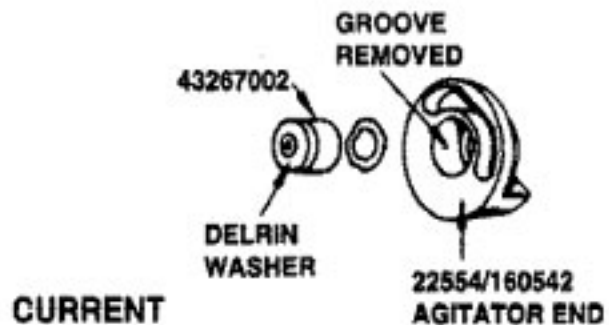
**Model Number: U4151--**  
**BOM/Serial #: U4151--**  
**Graphic Title: MOTOR ASSEMBLY**

Image	Key	Part Number	Description	Substitution	Qty.
1	1	45533AY-	SCREW		3
1	2	014062--	LOCK WASHER		6
1	3	41961009	INDICATOR GUIDE ASSE		1
1	4	42934002	UPPER MOTOR BEARING		1
1	5	38755004	VENTILATING FAN-U415		1
1	6	161535--	SCREW		4
1	7	019857--	UPPER MOTOR CASING		1
1	8	47318012	MOTOR BRUSH		2
1	9	36315003	BRUSH CAP - U4313		2
1	10	046930AZ	SCREW		2
1	11	44765085	ARMATURE-8MM		1
1	12	045118--	FIELD BOLT		2
1	13	45412014	FIELD COIL		1
1	14	21772501	SCREW		3
1	15	42193006	Motor Case LH		1
1	16	015673--	NUT HEX 5140		2
1	17	32184003	BEARING RETAINER-8MM		1
1	18	019772--	WASHER-LOCK-843		3
1	19	045251--	NUT		3
1	20	31731002	FAN SPACER-8MM		1
1	21	169241AW	WASHER-S3001		1
1	22	38755011	FAN		1
1	23	31162004	WASHER-HEAT INSULATI		1
1	24	38532009	MOTOR PULLEY-HEAT IN	38532005	1
1	25	24152807	MOTOR BEARING - 8MM		1
1	26	43267006	BEARING ASSEM COMP-8		1
1	26	43574141	MOTOR		1
1	26	014320--	TERMINAL 1060		1
1	26	35276006	INDICATOR GUIDE SPRI		1
1	27	40300014	ARMATURE-SPACER/SPLI		1

**Bearing Assm. 12978  
and Related Components**



**Bearing Assm. 43267002  
and Related Components**



**Model Number: U4151--**  
**BOM/Serial #: U4151--**  
**Graphic Title: AGITATOR**

Image	Key	Part Number	Description	Substitution	Qty.
1	1	36423003	THREAD GUARD-LH	049180--	1
1	1	049180--	THREAD GUARD & SP -		1
1	2	43267002	AGITATOR BEARING ASM		1
1	3	21347003	CONICAL WASHER		1
1	4	022554--	AGITATOR END 65		1
1	4	160542--	AGITATOR END		1
1	4	41435070	AGITATOR END ASSEMBL		1
1	5	012998BZ	AGITATOR BRUSH-NYLON		1
1	5	160646BZ	AGITATOR BRUSH REVER		1
1	5	48445001	AGITATOR BRUSH BACK		1
1	6	012981--	AGITATOR SHAFT	32724008	1
1	6	32724008	AGITATOR SHAFT		1
1	7	12985AY-	THREAD GUARD RH	012985AY	1
1	7	36423007	THREAD GUARD-RH	012985AY	1
1	10	44783AG-	BELT	044783AG	1
1	10	049258AG	BELT-CONVERTIBLE		1
1	11	41435005	AGITATOR ASSEM COMP-	48414003	1
1	11	169371MF	AGITATOR COMPLE <del>TE CO</del>		1
1	11	48414006	AGITATOR ASSEMBLY CO	48414003	1
1	11	48414007	AGITATOR ASSEMBLY CO		1
1	12	48414002	AGITATOR - FOUR BRUS		1
1	12	48414003	4 BRUSH AGITATOR		1
1	13	48414021	AGITATOR ASSEMBLY CO		1