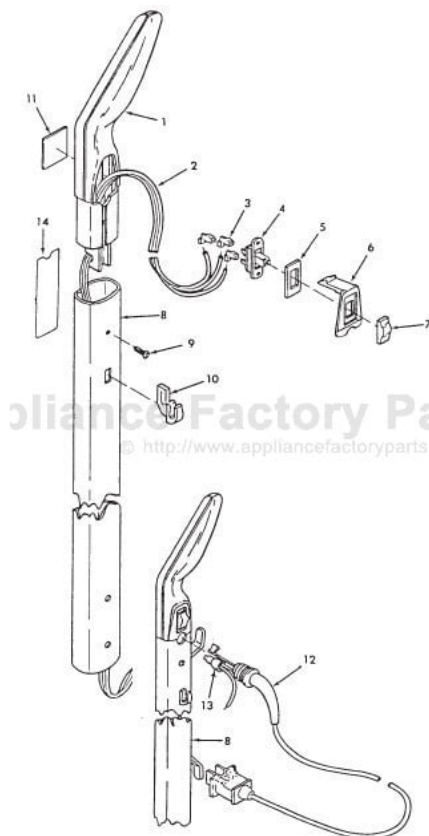


This Owner's Manual is provided and hosted by [Appliance Factory Parts](http://www.appliancefactoryparts.com).



HOOVER U4201 Owner's Manual

[Shop genuine replacement parts for HOOVER U4201](#)



[Find Your HOOVER Vacuum Cleaner Parts - Select From 1456 Models](#)

----- Manual continues below part list -----

Available Replacement Parts for HOOVER U4201

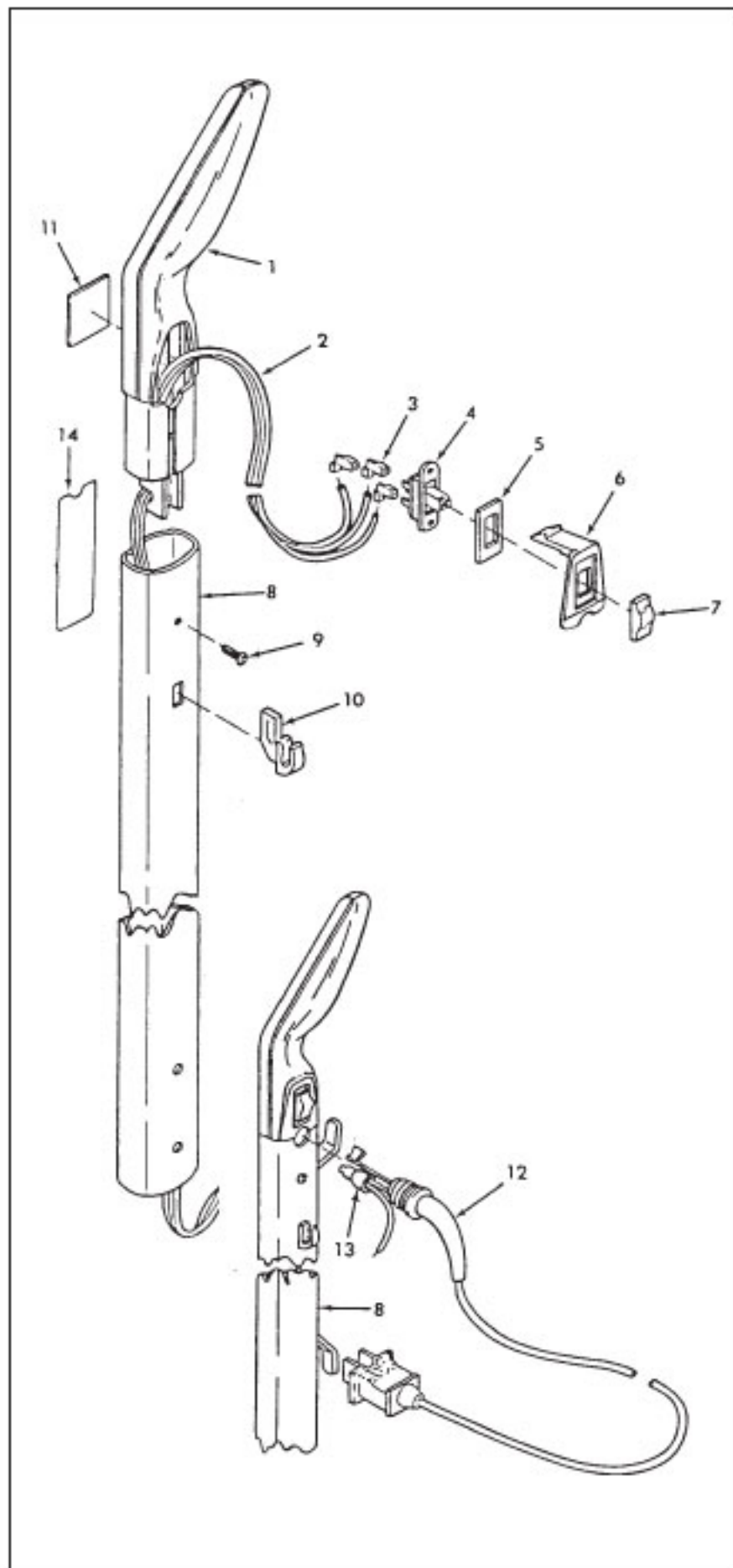
H-40201030	BELT, FLAT, 2 pack
H-4010001A	VACUUM BAG OEM HOOVER 3 PACK
H-43267002	AGITATOR BEARING ASM
HR-3420	SWITCH BUTTON
K-109289	BULB

Original

HOOVER

CONCEPT ONE

Models U4201, U4203, U4205, U4209, U4219



KEY	PART NO.	DESCRIPTION
1	H-48663072	Handle Grip Ass'y - U4203
	H-48663029	Handle Grip Ass'y - U4205
	H-48663109	Handle Grip Ass'y - U4209
	H-48663119	Handle Grip Ass'y - U4201, U4219
2	H-46514002	Lead Wire Ass'y - U4201, U4205, U4219
3	H-27666702	Terminal
4	H-28179010	Switch
	H-28179017	Switch - U4219
5	H-34138006	Switch Pad
6	H-37258096	Switch Cover - U4203, U4209
	H-37258087	Switch Cover - U4205
	H-37258086	Switch Cover - U4201, U4219
7	H-38421012	Switch Button
8	H-48631024	Handle Tube - U4203, U4209
	H-48631067	Handle Tube - U4201, U4205
	H-48631142	Handle Tube Asm. - U4219
9	H-166735 EF	Screw
10	H-39442002	Bag Support - U4201
	H-39442021	Bag Support
	H-39442005	Bag Support - U4205, U4219
	H-39442020	Bag Support - U4203, U4209
11	H-51639022	Handle Grip Nameplate
	H-51663003	Handle Grip Nameplate - U4219
12	H-46383227	Attach. Cord - U4203, U4209
13	H-12227	Connector - U4203, U4209
14	H-51638029	Handle Tube Nameplate - U4219

Original

HOOVER

CONCEPT ONE

Models U4201, U4203, U4205, U4209, U4219

KEY	PART NO.	DESCRIPTION	KEY	PART NO.	DESCRIPTION
1	H-44475 AW H-38334002	Bag Support Spring - U4201, U4203 Bag Support Spring - U4205, U4209, U4219	27	H-21447020	Screw
2	H-37959055 H-37959037 H-37959006 H-37959054 H-37959011 H-37959016 H-37959014 H-37959045	Bag Cover - U4201 Bag Cover - U4203, U4209 Bag Cover - U4205 Bag Cover - U219 Hanger - U4201 Hanger - U4203, U4209 Hanger - U4205 Hanger - U4219	28	H-37257127 H-37257120 H-37257125 H-37257130	Rear Housing Cover - U4201 Rear Housing Cover - U4203, U4209 Rear Housing Cover - U4205 Rear Housing Cover - U4219
4	H-34121007 H-36222008	Pad - Cemented (Original Design) - U4201, U4205 - Not Interchangeable w/36222008 Pad - Force Fit (New Design) - U4201, U4205, U4219 - Not Interchangeable w/34121007	29	H-36218007	Ferrule - U4201, U4205, U4219
5	H-43677323 H-43677296	Outer Bag - U4201, U4203, U4205 Outer Bag - U4219	30	H-38511002	Pivot Bearing
6	H-38657010	Top Fill Tube	31	H-38333006	Tension Spring - U4201, U4205, U4219
7	H-4010001 A	Throw Away Bag (3 Pk.)	32	H-160862 H-21447003	Screw (Cord Reel w/Tapped Hole) Screw (Cord Reel w/Untapped Hole)
8	H-36425001	Jacket Bottom	33	H-27479307	Lead Wire Tie
9	H-21447012	Screw	34	H-12227	Insulated Terminal
10	H-37195008 H-37195006 H-37195071	Motor Cover - U4203, U4209 Motor Cover - U4205 Motor Cover - U4201, U4219	35	H-42253130 H-42253141 H-42253149 H-42253135	Front Housing Ass'y - U4201 Front Housing Ass'y - U4203, U4209 Front Housing Ass'y - U4205 Front Housing Ass'y - U4219
11	H-21447013	Screw	36	H-42253155 H-42253158 H-42253113	Front Cover Ass'y - U4201 Front Cover Ass'y - U4203, U4209 Front Cover Ass'y - U4203, U4205, U4209 Front Cover Ass'y - U4219
12	H-37253037 H-37253166 H-37253114 H-37253165	Hood Hood - U4203, U4209 (See Agitator Housing Detail) Hood - U4201, U4205 (See Agitator Housing Detail) Hood - U4219 (See Agitator Housing Detail)	37	H-21447013	Screw
13	H-38511002	Pivot Bearing	38	H-34165004	Brush Block Insulator - U4201, U4205, U4219
14	H-32162003	Motor Mount - L.H.	39	H-47348045	Brush Block Ass'y - U4201, U4205, U4219
15	H-27617103	Connector - U4201, U4205, U4209, U4219	40	H-48111002 H-37246096	Lens & Shield Ass'y - U4201, U4205, U4209, U4219 Panel - U4203
16	H-27313101	Dirt Finder Lamp - U4201, U4205, U4209, U4219	41	H-52115019 H-52115016 H-51664004 H-51664006 H-51664015	Front Cover Nameplate - U4201 Front Cover Nameplate - U4203 Front Cover Nameplate - U4205 Front Cover Nameplate - U4209 Front Cover Nameplate - U4219
17	H-21447003	Screw - U4201, U4205, U4209, U4219	42	H-46831106	Cord Reel - U4201, U4205, U4219
18	H-47176001	Lamp Socket - U4201, U4205, U4209, U4219	43	H-46514002	Lead Wire Ass'y - U4201, U4205, U4219
19	H-32175011	Motor Mount	44	H-38426032 H-38426033	Cord Release Button - U4201 Cord Release Button - U4205, U4219
20	H-32155008	Mount Ring	45	H-48631024 H-48631067	Handle Tube - U4203, U4209 (See Detail) Handle Tube - U4201, U4205 (See Detail)
21	H-32156007	Seal Ring		H-48631142	Handle Tube - U4219 (See Detail)
22	H-43576038 H-43576068	Motor (See Detail) Motor (See Detail) - U4219	46	H-51639083	Bag Cover Nameplate - U4219
23	H-34337001	Bag Gasket	47	H-35111002	Drawer - AG - U4219
24	H-21563001	Screw	48	H-57363003	Air Freshener Tablets (4 Pk.) - Spring Bouquet
25	H-36425012	Jacket Support			
26	H-43677327 H-43677216 H-43677150 H-43677147 H-43677287	Outer Bag Comp. - U4201 Outer Bag Comp. - U4203 Outer Bag Comp. - U4205 Outer Bag Comp. - U4209 Outer Bag Comp. - U4219			

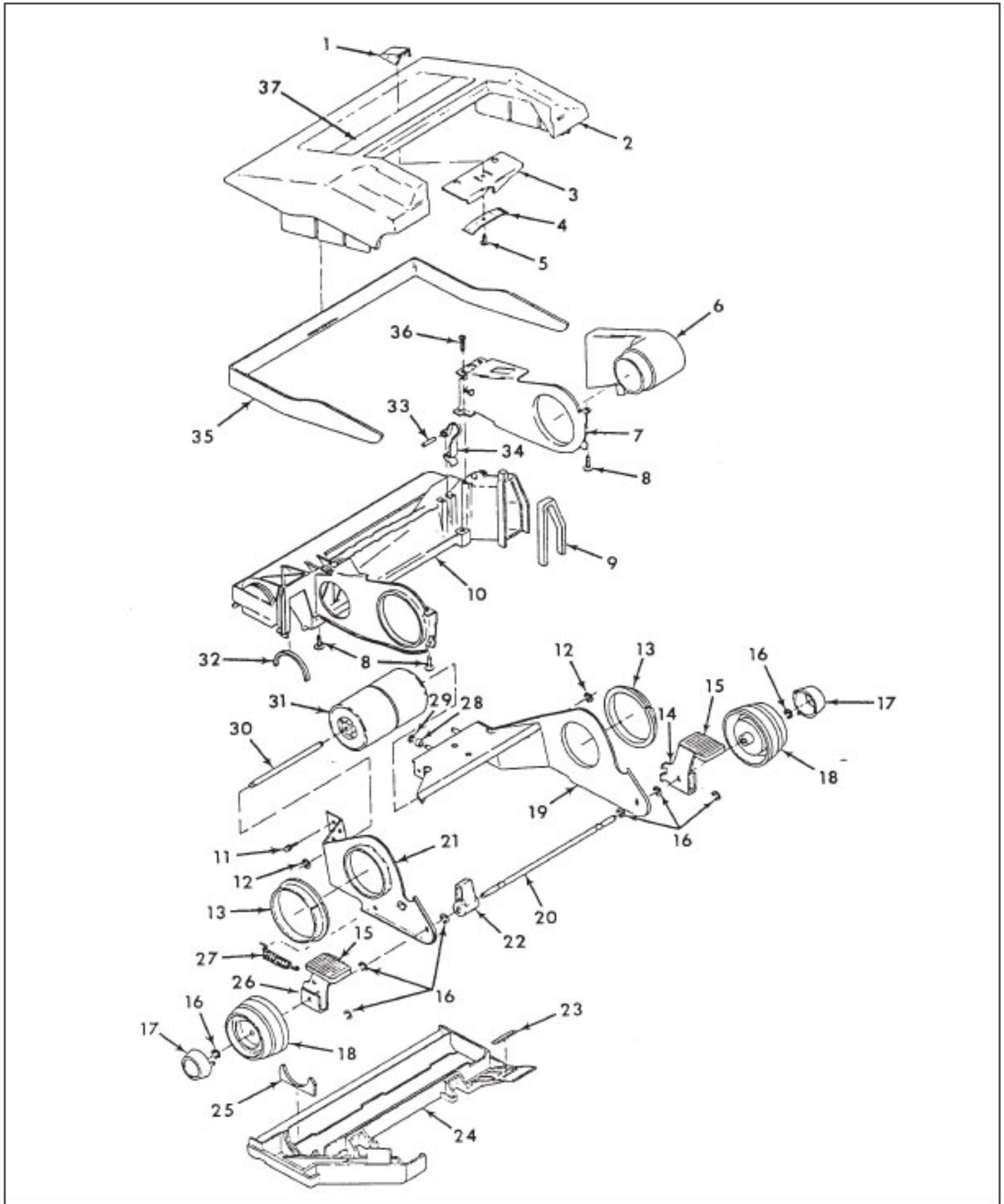
ITEMS NOT ILLUSTRATED

H-46831076	Commutator (Component of Cord Reel Ass'y)
------------	--

HOOVER Original

CONCEPT ONE

Models U4201, U4203, U4205, U4209, U4219



Original

HOOVER

CONCEPT ONE

Models U4201, U4203, U4205, U4209, U4219

KEY	PART NO.	DESCRIPTION
1	H-38421023	Nozzle Adj. Lever
	H-38421027	Nozzle Adj. Lever - U4201, U4203
	H-38421026	Nozzle Adj. Lever - U4205
	H-38421028	Nozzle Adj. Lever - U4209
	H-38421037	Nozzle Adj. Lever - U4219
2	H-37253037	Hood - U4201
	H-37253166	Hood - U4203, U4209
	H-37253114	Hood - U4201, U4205
	H-37253165	Hood - U4219
3	H-38563015	Cam
4	H-34751002	Detent Spring
5	H-21447015	Screw
6	H-38656023	Air Duct
7	H-35476005	Agitator Housing Bracket - R.H.
8	H-21447014	Screw
9	H-34123003	Duct Seal
10	H-42246064	Agitator Housing Ass'y
11	H-165432	Screw
12	H-13306	Retaining Ring
13	H-32155004	Bearing
14	H-38452059	Handle Release Lever - R.H. (Plastic) - AG - U4203, U4209
	H-36131018	Spring Retainer (Use on U4203, U4219 Models w/o Handle Rel. Lever - R.H.)
15	H-38426024	Foot Pad - U4201
	H-38426030	Foot Pad - U4203, U4205, U4209
16	H-13730	Lock ring (Use 8 on Models w/ Metal Handle Rel. Levers; Use 4 on Models w/Plastic Handle Rel. Levers)
17	H-37911076	Wheel Cover - U4201
	H-37912009	Wheel Cover - U4203, U4209
	H-37912007	Wheel Cover - U4219
	H-169242	Wheel Cover - U4205
18	H-38522017	Rear Wheel - AG
	H-38522018	Rear Wheel - U4203, U4209
19	H-41431014	Wheel Carriage Ass'y - R.H.
20	H-32547002	Rear Axle
21	H-35476007	Wheel Carriage - L.H.
22	H-38452048	Handle Release
23	H-34112003	Bottom Plate Duct Seal
24	H-42245039	Bottom Plate Ass'y
24	H-37245087	Bottom Plate Ass'y - U4219

KEY	PART NO.	DESCRIPTION
25	H-38781006	Agitator Pulley Seal - Lower
26	H-38452070	Handle Release Lever - L.H. (Plastic) - U4203, U4209
	H-38452071	Handle Release Lever - L.H. (Plastic) - AG
27	H-161513	Spring
	H-38335014	Spring - U4219
28	H-31142014	Roller
29	H-163699	Lock Ring
30	H-32541001	Front Axle
31	H-38522008	Front Wheel
32	H-12173	Agitator Pulley Seal - Upper
33	H-31522016	Agitator Clip Pin
34	H-34788001	Agitator Clip
35	H-36235020	Furniture Guard - U4203
	H-36235028	Furniture Guard - U4205
	H-36235021	Furniture Guard - U4201, U4203, U4209
	H-36235029	Furniture Guard - U4219
36	H-21447003	Screw
37	H-52115113	Hood Nameplate - U4201, U4203, U4205, U4209
	H-52115123	Hood Nameplate - U4219

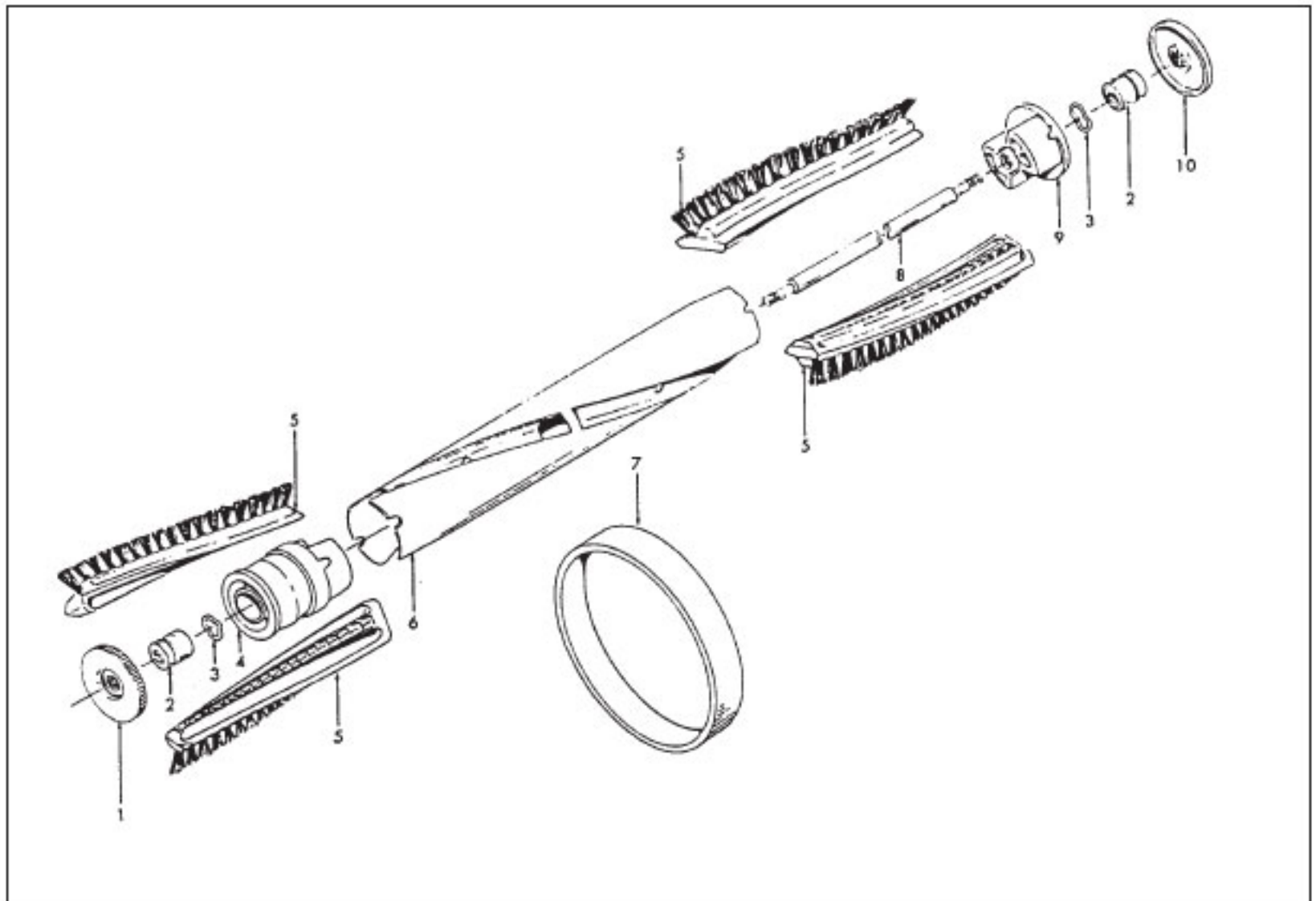
PACKAGING MATERIAL

H-56511061	Owner Manual - U4203
H-56511041	Owner Manual - U4201, U4205, U4209
H-56511262	Owner Manual - U4219
H-58152031	Carton - U4201
H-58152018	Carton - U4205
H-58152043	Carton - Common
H-58351003	Rear Support
H-58219007	Front, Top & Bottom Support
H-58343010	Front Support - U4219

ITEMS NOT ILLUSTRATED

H-21312777	Washer (2) Use on Models w/ Plastic Handle Rel. Levers between Rear Wheels and Handle Rel. Levers
------------	---

Original **HOOVER**
CONCEPT ONE, TWO & POWERMAX

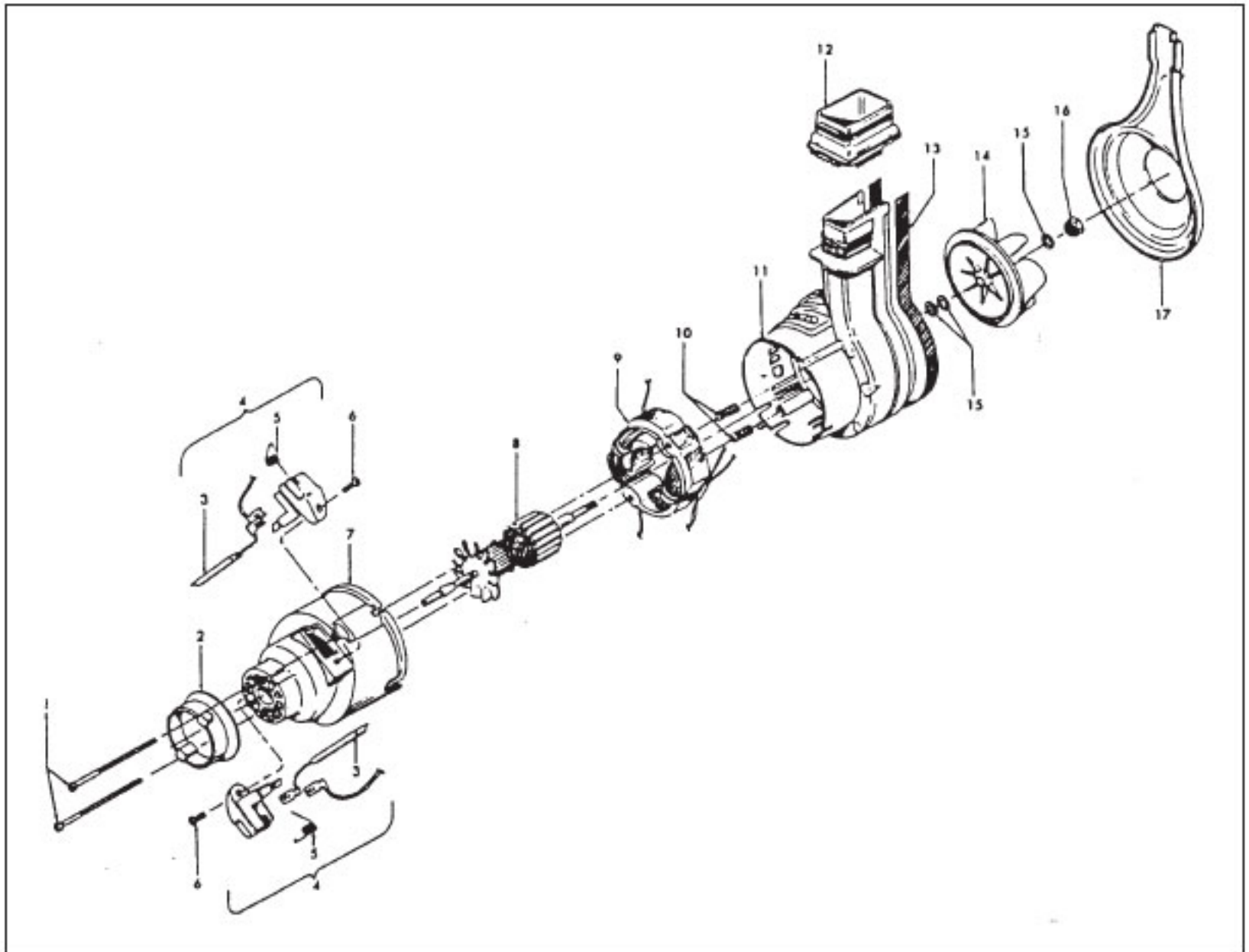


KEY	PART NO.	DESCRIPTION
	H-48414019	Agitator Ass'y Comp. - U3315-070, U3341-900, U3721-910, U3729-910
	H-48416009	Agaitator Ass'y Comp. - U3737-910, U3745-910
1	H-41435021	Thread Guard
2	H-43267002	Agitator Bearing Ass'y (2)
3	H-21347003	Conical Washer (2)
4	H-38537002	Agitator End Pulley
5	H-48445015	Agitator Brush (4)
	H-48445016	Agitator Brush (2) - U3315-070, U3341-900, U3721-910, U3729-910
6		(Not Available)
7	H-38528008	Agitator Belt
8	H-160070	Agitator Shaft
9	H-41435023	Agitator End
10	H-41435018	Thread Guard

HOOVER Original

CONCEPT ONE & POWERMAX

Models U3315, U3315-070, U3317, U3319-9, U3319-970, U3321, U3323, U3329, U3331, U3335, U3341-900, U3721-910, U3729-910, U3737-910, U3745-910



KEY	PART NO.	DESCRIPTION
	H-43576074	Motor Ass'y Comp.
1	H-21479573	Screw - Self Tapping (2)
2	H-32162003	Motor Mount
3	H-47315010	Brush & Terminal Ass'y (2)
4	H-47318008	Brush Carrier Ass'y
5	H-38353004	Spring (2)
6	H-21479302	Screw - Self Tapping (2)
7	H-42193004	Motor Housing Ass'y
8	H-44765213	Armature Ass'y Comp.
9	H-45317027	Field Ass'y Comp.
10	H-12854	Spring
11	H-43588001	Fan Chamber Ass'y
12	H-38785002	Seal
13	H-54821001	Tape
14	H-38755003	Fan
15	H-166563	Washer (3)
16	H-33426001	Nut
17	H-43588003	Fan Cover Ass'y

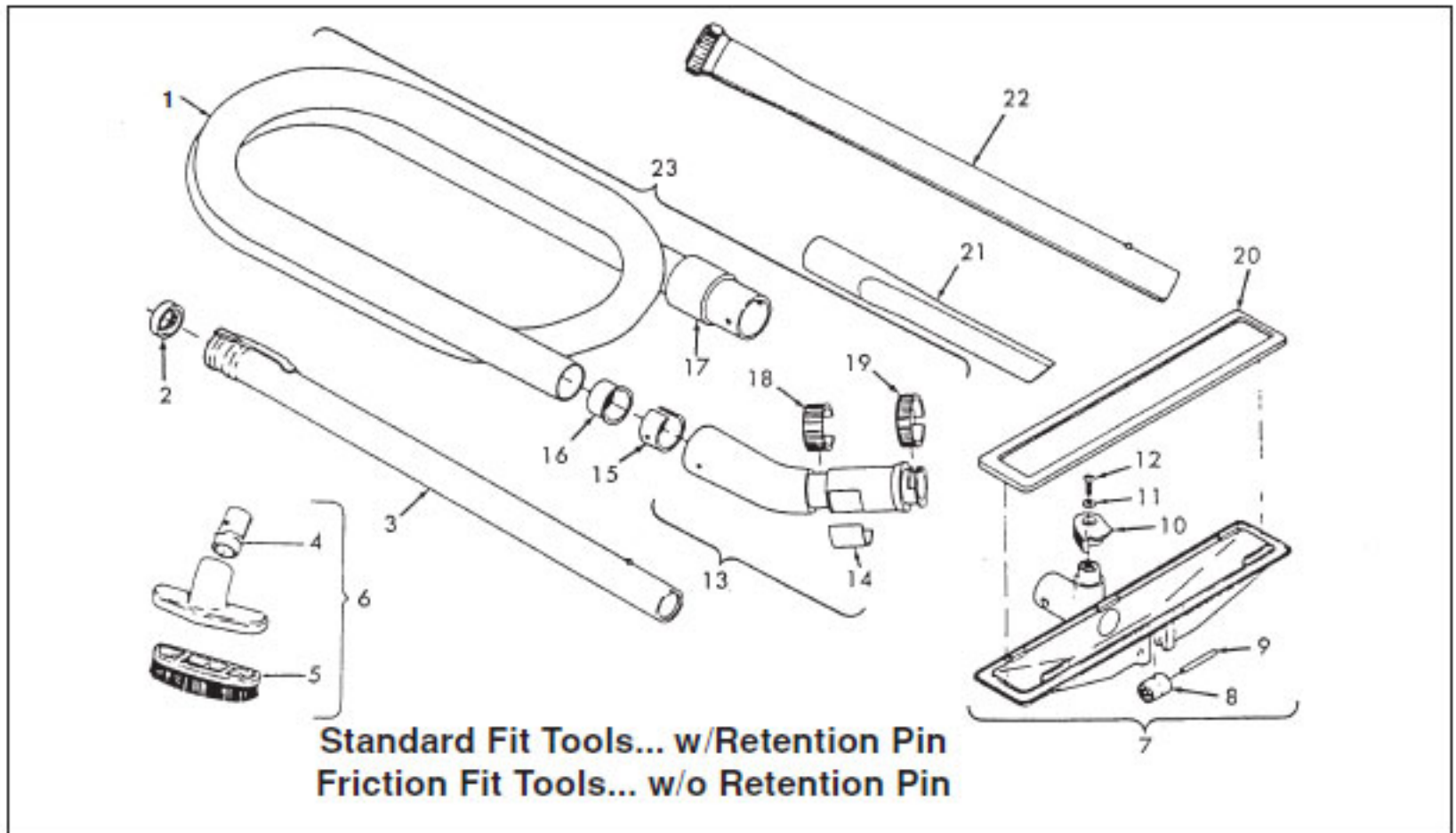
Original

HOOVER

CONCEPT

Cleaning Tools

Model U3903 (Standard), Model U3903-070 (Friction)



KEY	PART NO.	DESCRIPTION	KEY	PART NO.	DESCRIPTION
1	H-43431069	Hose Less Ends (Continuous Convolutions) - (Std. Fit Ends)	15	H-36116006	Hose Connector Collar (Use w/ Continuous Convolution Hose) - (Std. Fit Hose)
	H-43431182	Hose Only (Std. Fit Ends)		H-36171025	Hose Connector Collar (Use w/ Circular Ribbed Hose) - (Std. Fit Hose)
	H-38671001	Hose Less Ends (Circular Ribbed) - (Std. Fit Ends)	16	H-32156010	Hose Sleeve (Std. Fit Hose)
	H-38671025	Hose Less Ends (Circular Ribbed) - (Friction Fit Ends)	17	H-32288001	Hose Connector (Use w/ Continuous convolution Hose) - (Std. Fit)
2	H-12845 JM	Gasket		H-32288003	Hose Connector (Use w/Circular Ribbed Hose) - (Std. Fit)
3	H-13144	Ext. Tube (Aluminum) - (Std. Fit)	18	H-32288004	Hose Connector - AAP - (FrictionFit)
4	H-13149 JM	Nozzle Connector Tube (Use w/161852 JM)	19	H-36153008	Suction Control Ring - (Standard)
5	H-13254 BZ	Brush Back Comp. (Use w/161852 JM)	20	H-43548006	Latch Ring - (Standard)
6	H-161852 JM	Furniture Brush Comp.	21	H-38617018	Converter Seal
	H-43414017	Multi-Purpose Brush (One Piece) - (Std. Fit)	22	H-38617023	Crevice Tool - (Std. Fit)
7	H-43482077	Converter - (Standard & Friction Fit)		H-43453043	Crevice Tool - (Friction Fit)
8	H-32761008	Wheel		H-38634074	Ext. Tube (Polystyrene) - (Std. Fit)
9	H-21155119	Roller Shaft	23	H-43434203	Ext. Tube (Polystyrene) - (Friction Fit)
10	H-38452054	Latch Lever		H-43434209	(Continuous Convolutions) (w/o Suction Regulator) - (Std. Fit)
11	H-31142012	Washer		H-43434225	Hose Comp. - Front Conversion (Circular Ribbed) (w/o Suction Regulator) - (Std. Fit)
12	H-17001	Screw		H-43414071	Hose Comp. - AAP - (Friction Fit)
13	H-43466042	Hose Connector Curved w/Rings - JM (Use w/Continuous Convolution Hose) - (Std. Fit)		H-38614026	Furniture Nozzle - (Std. Fit)
	H-43466055	Hose Connector Curved w/Ring (w/o Suction Regulator) (Use with Circular Ribbed Hose) - (Std. Fit)		H-43466040	Furniture Nozzle - (Friction Fit)
	H-39454053	Hose Connector Curved - AAP - (Hand Grip) - (Friction Fit)		H-170110 --	Ext. Tube - Curved
14	H-51869006	Hose Connector Label		H-43414129	Shag Rake
				H-43414135	Dusting Brush - (Friction Fit)
					Floor Brush - (Friction Fit)