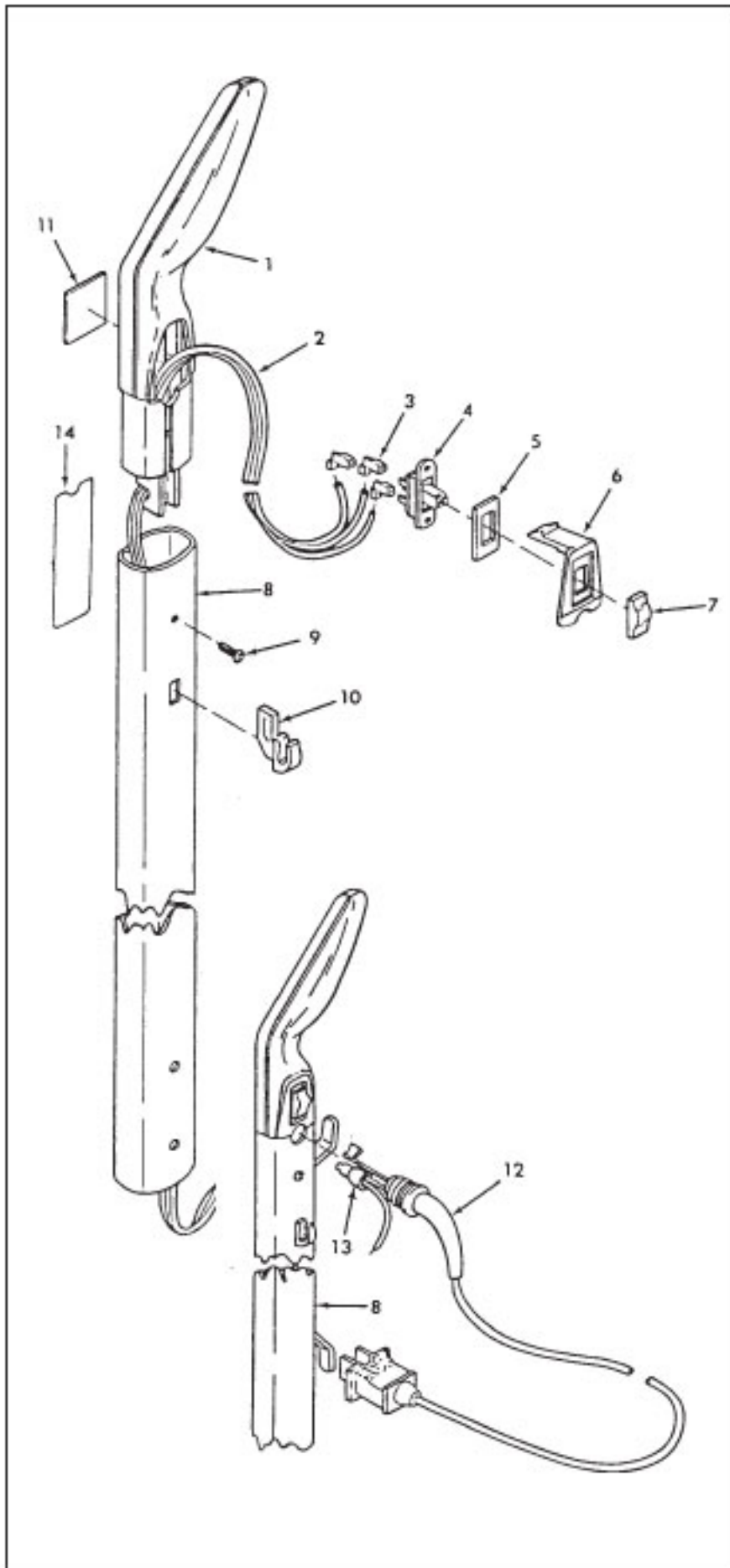


Original

HOOVER

CONCEPT ONE

Models U4201, U4203, U4205, U4209, U4219

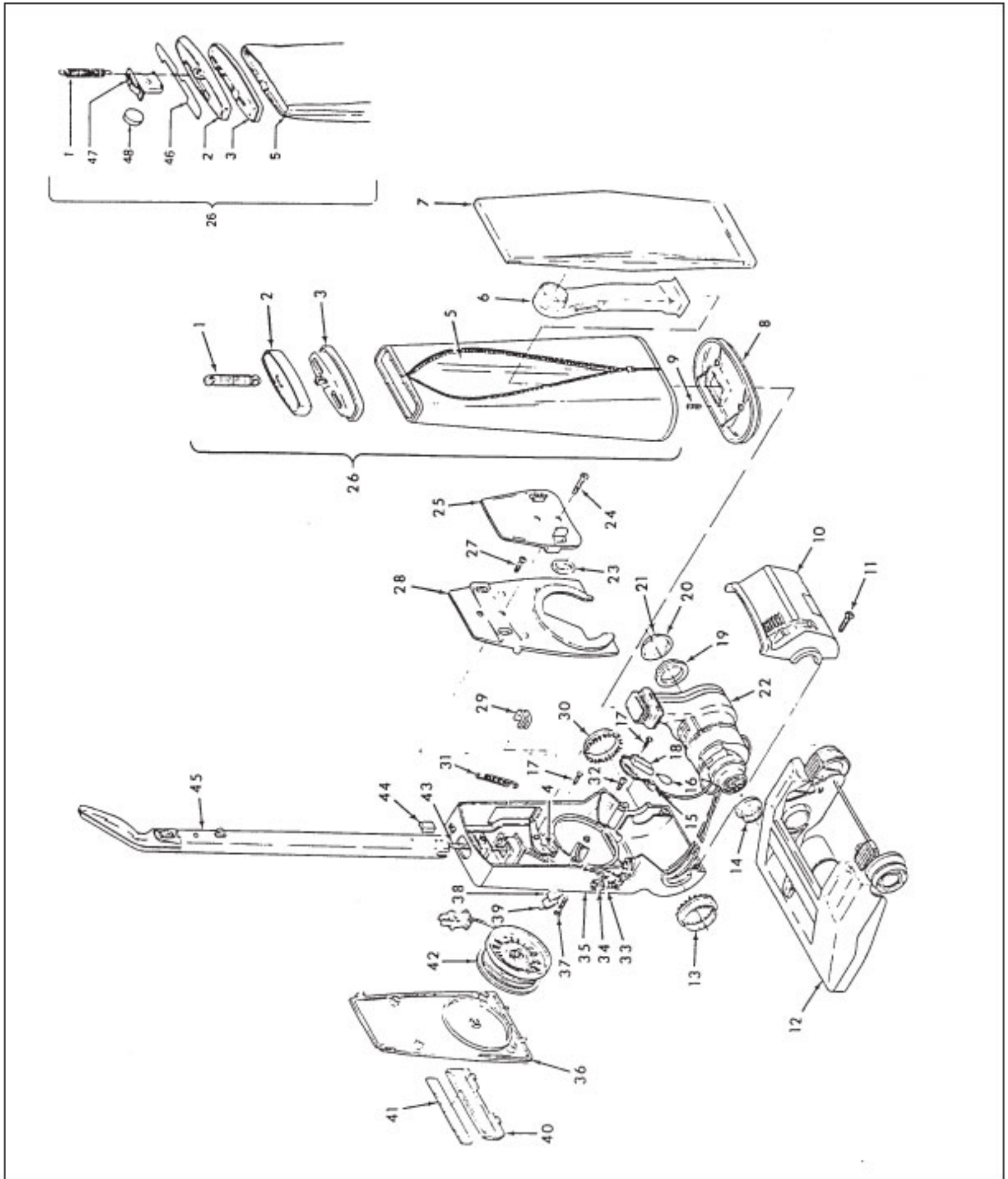


KEY	PART NO.	DESCRIPTION
1	H-48663072	Handle Grip Ass'y - U4203
	H-48663029	Handle Grip Ass'y - U4205
	H-48663109	Handle Grip Ass'y - U4209
	H-48663119	Handle Grip Ass'y - U4201, U4219
2	H-46514002	Lead Wire Ass'y - U4201, U4205, U4219
3	H-27666702	Terminal
4	H-28179010	Switch
	H-28179017	Switch - U4219
5	H-34138006	Switch Pad
6	H-37258096	Switch Cover - U4203, U4209
	H-37258087	Switch Cover - U4205
	H-37258086	Switch Cover - U4201, U4219
7	H-38421012	Switch Button
8	H-48631024	Handle Tube - U4203, U4209
	H-48631067	Handle Tube - U4201, U4205
	H-48631142	Handle Tube Asm. - U4219
9	H-166735 EF	Screw
10	H-39442002	Bag Support - U4201
	H-39442021	Bag Support
	H-39442005	Bag Support - U4205, U4219
	H-39442020	Bag Support - U4203, U4209
11	H-51639022	Handle Grip Nameplate
	H-51663003	Handle Grip Nameplate - U4219
12	H-46383227	Attach. Cord - U4203, U4209
13	H-12227	Connector - U4203, U4209
14	H-51638029	Handle Tube Nameplate - U4219

HOOVER Original

CONCEPT ONE

Models U4201, U4203, U4205, U4209, U4219



Original **HOOVER**

CONCEPT ONE

Models U4201, U4203, U4205, U4209, U4219

KEY	PART NO.	DESCRIPTION	KEY	PART NO.	DESCRIPTION
1	H-44475 AW H-38334002	Bag Support Spring - U4201, U4203 Bag Support Spring - U4205, U4209, U4219	27	H-21447020	Screw
2	H-37959055 H-37959037 H-37959006 H-37959054 H-37959011 H-37959016 H-37959014 H-37959045	Bag Cover - U4201 Bag Cover - U4203, U4209 Bag Cover - U4205 Bag Cover - U219 Hanger - U4201 Hanger - U4203, U4209 Hanger - U4205 Hanger - U4219	28	H-37257127 H-37257120 H-37257125 H-37257130	Rear Housing Cover - U4201 Rear Housing Cover - U4203, U4209 Rear Housing Cover - U4205 Rear Housing Cover - U4219
4	H-34121007 H-36222008	Pad - Cemented (Original Design) - U4201, U4205 - Not Interchangeable w/36222008 Pad - Force Fit (New Design) - U4201, U4205, U4219 - Not Interchangeable w/34121007	29	H-36218007	Ferrule - U4201, U4205, U4219
5	H-43677323 H-43677296	Outer Bag - U4201, U4203, U4205 Outer Bag - U4219	30	H-38511002	Pivot Bearing
6	H-38657010	Top Fill Tube	31	H-38333006	Tension Spring - U4201, U4205, U4219
7	H-4010001 A	Throw Away Bag (3 Pk.)	32	H-160862 H-21447003	Screw (Cord Reel w/Tapped Hole) Screw (Cord Reel w/Untapped Hole)
8	H-36425001	Jacket Bottom	33	H-27479307	Lead Wire Tie
9	H-21447012	Screw	34	H-12227	Insulated Terminal
10	H-37195008 H-37195006 H-37195071	Motor Cover - U4203, U4209 Motor Cover - U4205 Motor Cover - U4201, U4219	35	H-42253130 H-42253141 H-42253149 H-42253135	Front Housing Ass'y - U4201 Front Housing Ass'y - U4203, U4209 Front Housing Ass'y - U4205 Front Housing Ass'y - U4219
11	H-21447013	Screw	36	H-42253155 H-42253158 H-42253113	Front Cover Ass'y - U4201 Front Cover Ass'y - U4203, U4209 Front Cover Ass'y - U4203, U4205, U4209 Front Cover Ass'y - U4219
12	H-37253037 H-37253166 H-37253114 H-37253165	Hood Hood - U4203, U4209 (See Agitator Housing Detail) Hood - U4201, U4205 (See Agitator Housing Detail) Hood - U4219 (See Agitator Housing Detail)	37	H-21447013	Screw
13	H-38511002	Pivot Bearing	38	H-34165004	Brush Block Insulator - U4201, U4205, U4219
14	H-32162003	Motor Mount - L.H.	39	H-47348045	Brush Block Ass'y - U4201, U4205, U4219
15	H-27617103	Connector - U4201, U4205, U4209, U4219	40	H-48111002 H-37246096	Lens & Shield Ass'y - U4201, U4205, U4209, U4219 Panel - U4203
16	H-27313101	Dirt Finder Lamp - U4201, U4205, U4209, U4219	41	H-52115019 H-52115016 H-51664004 H-51664006 H-51664015	Front Cover Nameplate - U4201 Front Cover Nameplate - U4203 Front Cover Nameplate - U4205 Front Cover Nameplate - U4209 Front Cover Nameplate - U4219
17	H-21447003	Screw - U4201, U4205, U4209, U4219	42	H-46831106	Cord Reel - U4201, U4205, U4219
18	H-47176001	Lamp Socket - U4201, U4205, U4209, U4219	43	H-46514002	Lead Wire Ass'y - U4201, U4205, U4219
19	H-32175011	Motor Mount	44	H-38426032 H-38426033	Cord Release Button - U4201 Cord Release Button - U4205, U4219
20	H-32155008	Mount Ring	45	H-48631024 H-48631067	Handle Tube - U4203, U4209 (See Detail) Handle Tube - U4201, U4205 (See Detail)
21	H-32156007	Seal Ring		H-48631142	Handle Tube - U4219 (See Detail)
22	H-43576038 H-43576068	Motor (See Detail) Motor (See Detail) - U4219	46	H-51639083	Bag Cover Nameplate - U4219
23	H-34337001	Bag Gasket	47	H-35111002	Drawer - AG - U4219
24	H-21563001	Screw	48	H-57363003	Air Freshener Tablets (4 Pk.) - Spring Bouquet
25	H-36425012	Jacket Support			
26	H-43677327 H-43677216 H-43677150 H-43677147 H-43677287	Outer Bag Comp. - U4201 Outer Bag Comp. - U4203 Outer Bag Comp. - U4205 Outer Bag Comp. - U4209 Outer Bag Comp. - U4219			

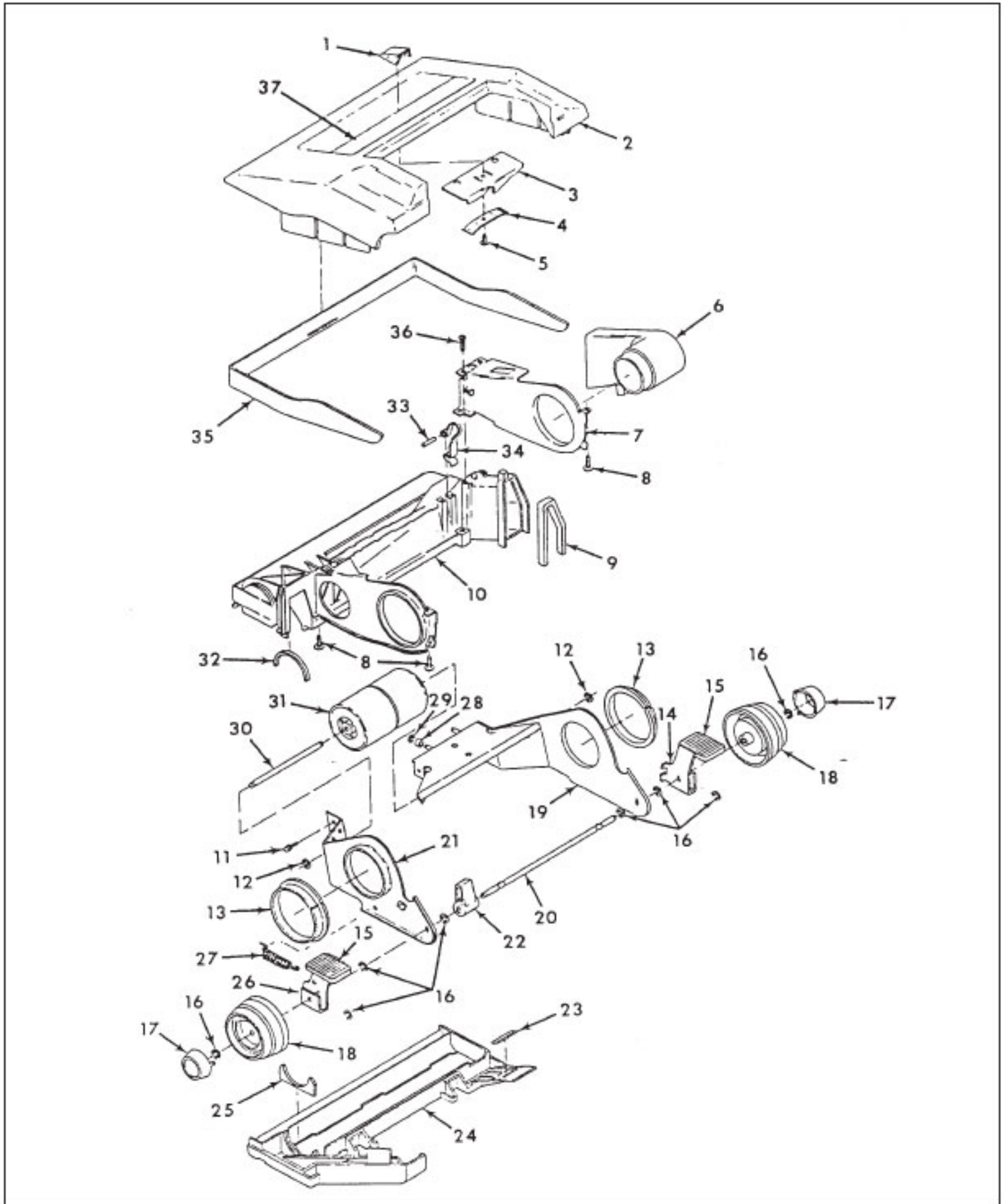
ITEMS NOT ILLUSTRATED

H-46831076 Commutator
(Component of Cord Reel Ass'y)

HOOVER Original

CONCEPT ONE

Models U4201, U4203, U4205, U4209, U4219



Original

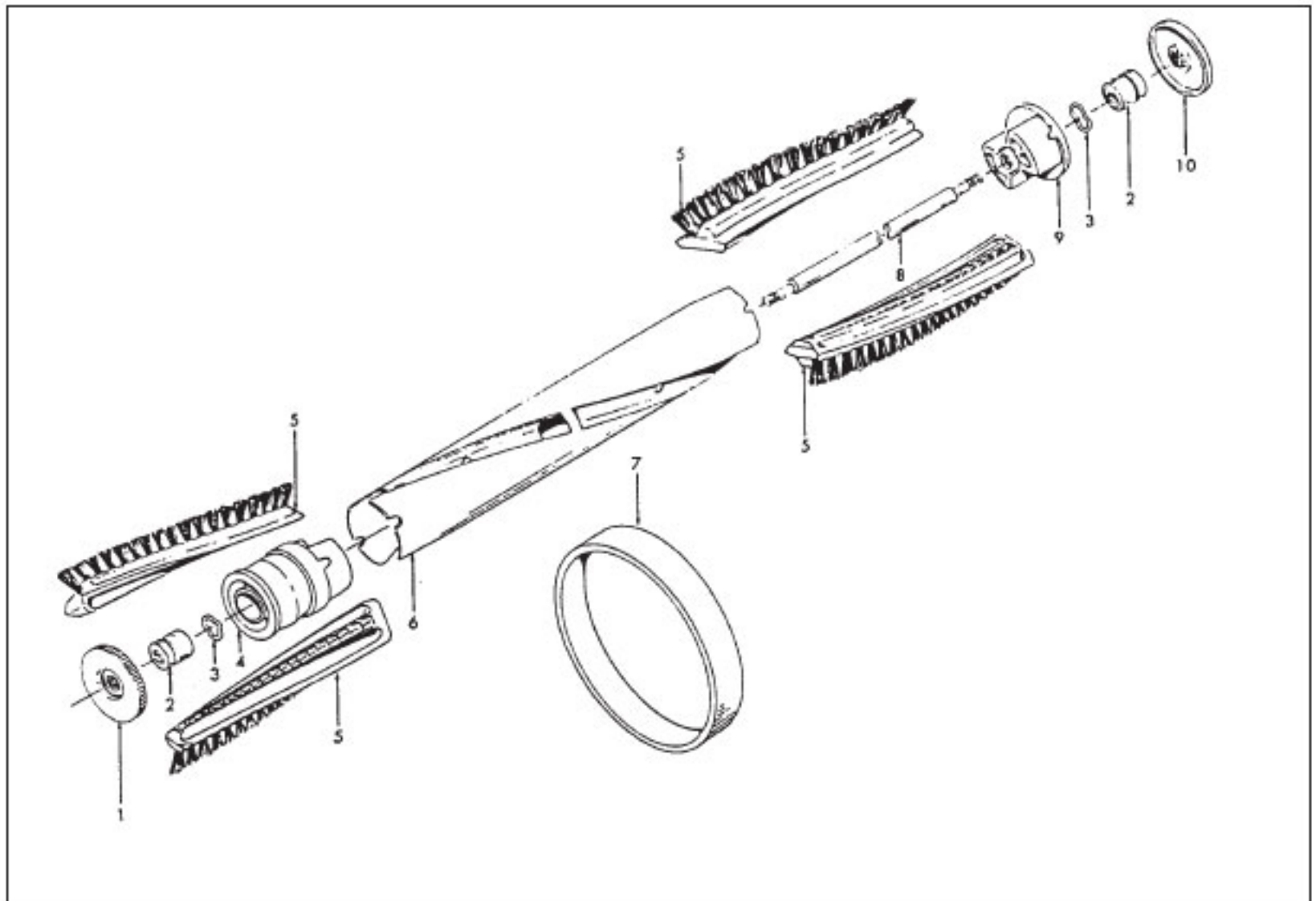
HOOVER

CONCEPT ONE

Models U4201, U4203, U4205, U4209, U4219

KEY	PART NO.	DESCRIPTION	KEY	PART NO.	DESCRIPTION
1	H-38421023	Nozzle Adj. Lever	25	H-38781006	Agitator Pulley Seal - Lower
	H-38421027	Nozzle Adj. Lever - U4201, U4203	26	H-38452070	Handle Release Lever - L.H. (Plastic) - U4203, U4209
	H-38421026	Nozzle Adj. Lever - U4205		H-38452071	Handle Release Lever - L.H. (Plastic) - AG
	H-38421028	Nozzle Adj. Lever - U4209	27	H-161513	Spring
	H-38421037	Nozzle Adj. Lever - U4219		H-38335014	Spring - U4219
2	H-37253037	Hood - U4201	28	H-31142014	Roller
	H-37253166	Hood - U4203, U4209	29	H-163699	Lock Ring
	H-37253114	Hood - U4201, U4205	30	H-32541001	Front Axle
	H-37253165	Hood - U4219	31	H-38522008	Front Wheel
3	H-38563015	Cam	32	H-12173	Agitator Pulley Seal - Upper
4	H-34751002	Detent Spring	33	H-31522016	Agitator Clip Pin
5	H-21447015	Screw	34	H-34788001	Agitator Clip
6	H-38656023	Air Duct	35	H-36235020	Furniture Guard - U4203
7	H-35476005	Agitator Housing Bracket - R.H.		H-36235028	Furniture Guard - U4205
8	H-21447014	Screw		H-36235021	Furniture Guard - U4201, U4203, U4209
9	H-34123003	Duct Seal		H-36235029	Furniture Guard - U4219
10	H-42246064	Agitator Housing Ass'y	36	H-21447003	Screw
11	H-165432	Screw	37	H-52115113	Hood Nameplate - U4201, U4203, U4205, U4209
12	H-13306	Retaining Ring		H-52115123	Hood Nameplate - U4219
13	H-32155004	Bearing	PACKAGING MATERIAL		
14	H-38452059	Handle Release Lever - R.H. (Plastic) - AG - U4203, U4209		H-56511061	Owner Manual - U4203
	H-36131018	Spring Retainer (Use on U4203, U4219 Models w/o Handle Rel. Lever - R.H.)		H-56511041	Owner Manual - U4201, U4205, U4209
15	H-38426024	Foot Pad - U4201		H-56511262	Owner Manual - U4219
	H-38426030	Foot Pad - U4203, U4205, U4209		H-58152031	Carton - U4201
16	H-13730	Lock ring (Use 8 on Models w/ Metal Handle Rel. Levers; Use 4 on Models w/Plastic Handle Rel. Levers)		H-58152018	Carton - U4205
				H-58152043	Carton - Common
17	H-37911076	Wheel Cover - U4201		H-58351003	Rear Support
	H-37912009	Wheel Cover - U4203, U4209		H-58219007	Front, Top & Bottom Support
	H-37912007	Wheel Cover - U4219		H-58343010	Front Support - U4219
	H-169242	Wheel Cover - U4205	ITEMS NOT ILLUSTRATED		
18	H-38522017	Rear Wheel - AG		H-21312777	Washer (2) Use on Models w/ Plastic Handle Rel. Levers between Rear Wheels and Handle Rel. Levers
	H-38522018	Rear Wheel - U4203, U4209			
19	H-41431014	Wheel Carriage Ass'y - R.H.			
20	H-32547002	Rear Axle			
21	H-35476007	Wheel Carriage - L.H.			
22	H-38452048	Handle Release			
23	H-34112003	Bottom Plate Duct Seal			
24	H-42245039	Bottom Plate Ass'y			
24	H-37245087	Bottom Plate Ass'y - U4219			

Original **HOOVER**
CONCEPT ONE, TWO & POWERMAX

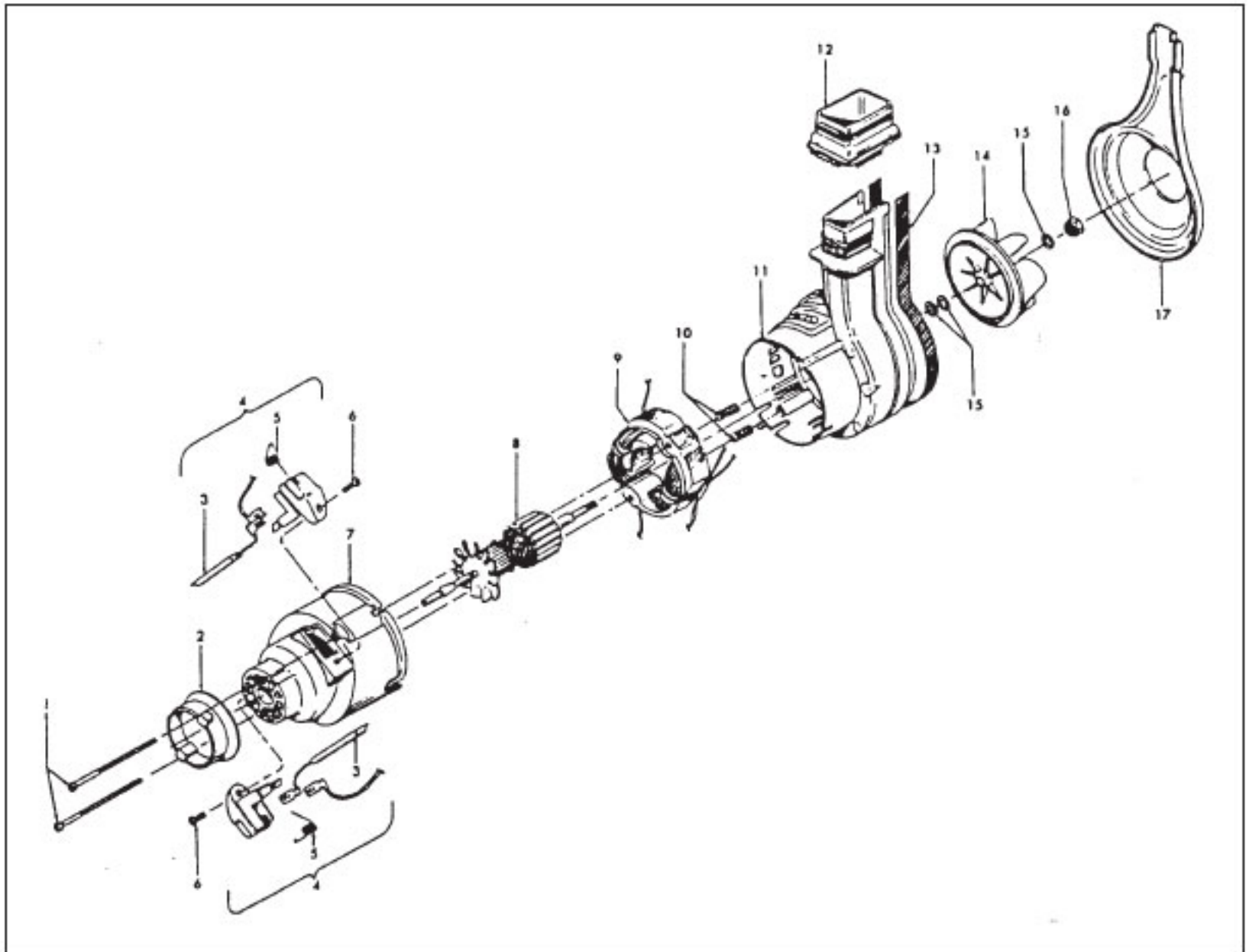


KEY	PART NO.	DESCRIPTION
	H-48414019	Agitator Ass'y Comp. - U3315-070, U3341-900, U3721-910, U3729-910
	H-48416009	Agaitator Ass'y Comp. - U3737-910, U3745-910
1	H-41435021	Thread Guard
2	H-43267002	Agitator Bearing Ass'y (2)
3	H-21347003	Conical Washer (2)
4	H-38537002	Agitator End Pulley
5	H-48445015	Agitator Brush (4)
	H-48445016	Agitator Brush (2) - U3315-070, U3341-900, U3721-910, U3729-910
6		(Not Available)
7	H-38528008	Agitator Belt
8	H-160070	Agitator Shaft
9	H-41435023	Agitator End
10	H-41435018	Thread Guard

HOOVER Original

CONCEPT ONE & POWERMAX

Models U3315, U3315-070, U3317, U3319-9, U3319-970, U3321, U3323, U3329, U3331, U3335, U3341-900, U3721-910, U3729-910, U3737-910, U3745-910



KEY	PART NO.	DESCRIPTION
	H-43576074	Motor Ass'y Comp.
1	H-21479573	Screw - Self Tapping (2)
2	H-32162003	Motor Mount
3	H-47315010	Brush & Terminal Ass'y (2)
4	H-47318008	Brush Carrier Ass'y
5	H-38353004	Spring (2)
6	H-21479302	Screw - Self Tapping (2)
7	H-42193004	Motor Housing Ass'y
8	H-44765213	Armature Ass'y Comp.
9	H-45317027	Field Ass'y Comp.
10	H-12854	Spring
11	H-43588001	Fan Chamber Ass'y
12	H-38785002	Seal
13	H-54821001	Tape
14	H-38755003	Fan
15	H-166563	Washer (3)
16	H-33426001	Nut
17	H-43588003	Fan Cover Ass'y

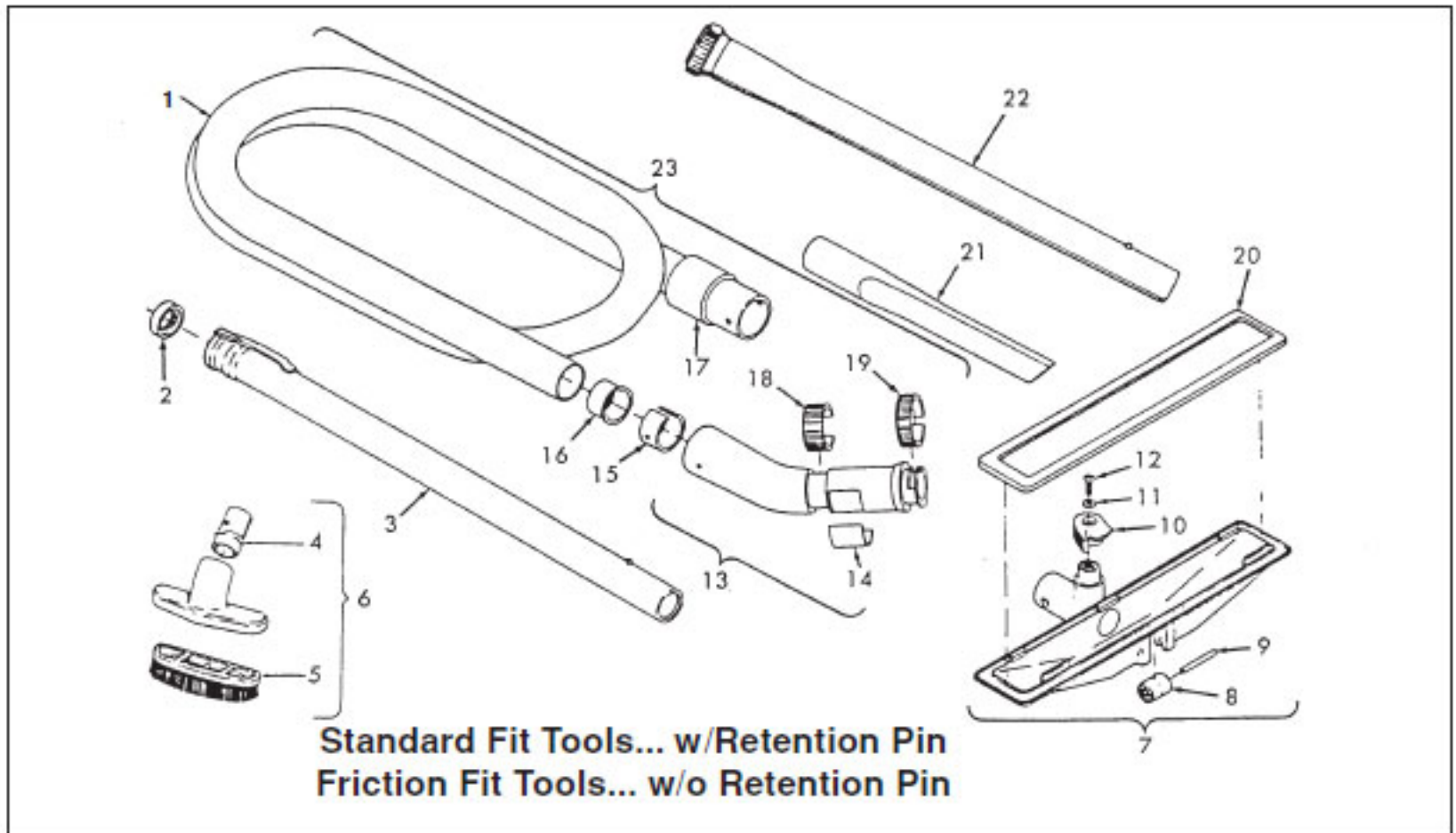
Original

HOOVER

CONCEPT

Cleaning Tools

Model U3903 (Standard), Model U3903-070 (Friction)



Standard Fit Tools... w/Retention Pin
Friction Fit Tools... w/o Retention Pin

KEY	PART NO.	DESCRIPTION	KEY	PART NO.	DESCRIPTION
1	H-43431069	Hose Less Ends (Continuous Convolutions) - (Std. Fit Ends)	15	H-36116006	Hose Connector Collar (Use w/ Continuous Convolution Hose) - (Std. Fit. Hose)
	H-43431182	Hose Only (Std. Fit Ends)		H-36171025	Hose Connector Collar (Use w/ Circular Ribbed Hose) - (Std. Fit Hose)
	H-38671001	Hose Less Ends (Circular Ribbed) - (Std. Fit Ends)	16	H-32156010	Hose Sleeve (Std. Fit Hose)
	H-38671025	Hose Less Ends (Circular Ribbed) - (Friction Fit Ends)	17	H-32288001	Hose Connector (Use w/ Continuous convolution Hose) - (Std. Fit)
2	H-12845 JM	Gasket		H-32288003	Hose Connector (Use w/Circular Ribbed Hose) - (Std. Fit)
3	H-13144	Ext. Tube (Aluminum) - (Std. Fit)	18	H-32288004	Hose Connector - AAP - (FrictionFit)
4	H-13149 JM	Nozzle Connector Tube (Use w/161852 JM)	19	H-38711006	Suction Control Ring - (Standard)
5	H-13254 BZ	Brush Back Comp. (Use w/161852 JM)	20	H-36153008	Latch Ring - (Standard)
6	H-161852 JM	Furniture Brush Comp.	21	H-43548006	Converter Seal
	H-43414017	Multi-Purpose Brush (One Piece) - (Std. Fit)	22	H-38617018	Crevice Tool - (Std. Fit)
7	H-43482077	Converter - (Standard & Friction Fit)		H-38617023	Crevice Tool - (Friction Fit)
8	H-32761008	Wheel	23	H-43453043	Ext. Tube (Polystyrene) - (Std. Fit)
9	H-21155119	Roller Shaft		H-38634074	Ext. Tube (Polystyrene) - (Friction Fit)
10	H-38452054	Latch Lever		H-43434203	(Continuous Convolutions) (w/o Suction Regulator) - (Std. Fit)
11	H-31142012	Washer		H-43434209	Hose Comp. - Front Conversion (Circular Ribbed) (w/o Suction Regulator) - (Std. Fit)
12	H-17001	Screw		H-43434225	Hose Comp. - AAP - (Friction Fit)
13	H-43466042	Hose Connector Curved w/Rings - JM (Use w/Continuous Convolution Hose) - (Std. Fit)		H-43414071	Furniture Nozzle - (Std. Fit)
	H-43466055	Hose Connector Curved w/Ring (w/o Suction Regulator) (Use with Circular Ribbed Hose) - (Std. Fit)		H-38614026	Furniture Nozzle - (Friction Fit)
	H-39454053	Hose Connector Curved - AAP - (Hand Grip) - (Friction Fit)		H-43466040	Ext. Tube - Curved
14	H-51869006	Hose Connector Label		H-170110 --	Shag Rake
				H-43414129	Dusting Brush - (Friction Fit)
				H-43414135	Floor Brush - (Friction Fit)