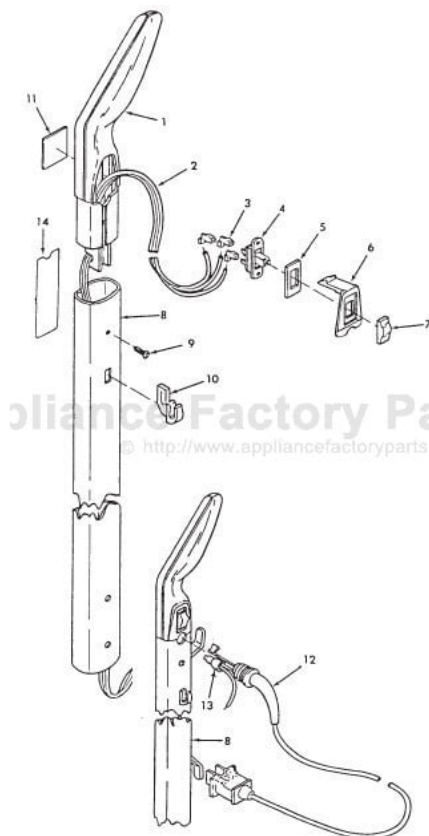


This Owner's Manual is provided and hosted by [Appliance Factory Parts](http://www.appliancefactoryparts.com).



HOOVER U4219 Owner's Manual

[Shop genuine replacement parts for HOOVER U4219](#)



[Find Your HOOVER Vacuum Cleaner Parts - Select From 1456 Models](#)

----- Manual continues below part list -----

Available Replacement Parts for HOOVER U4219

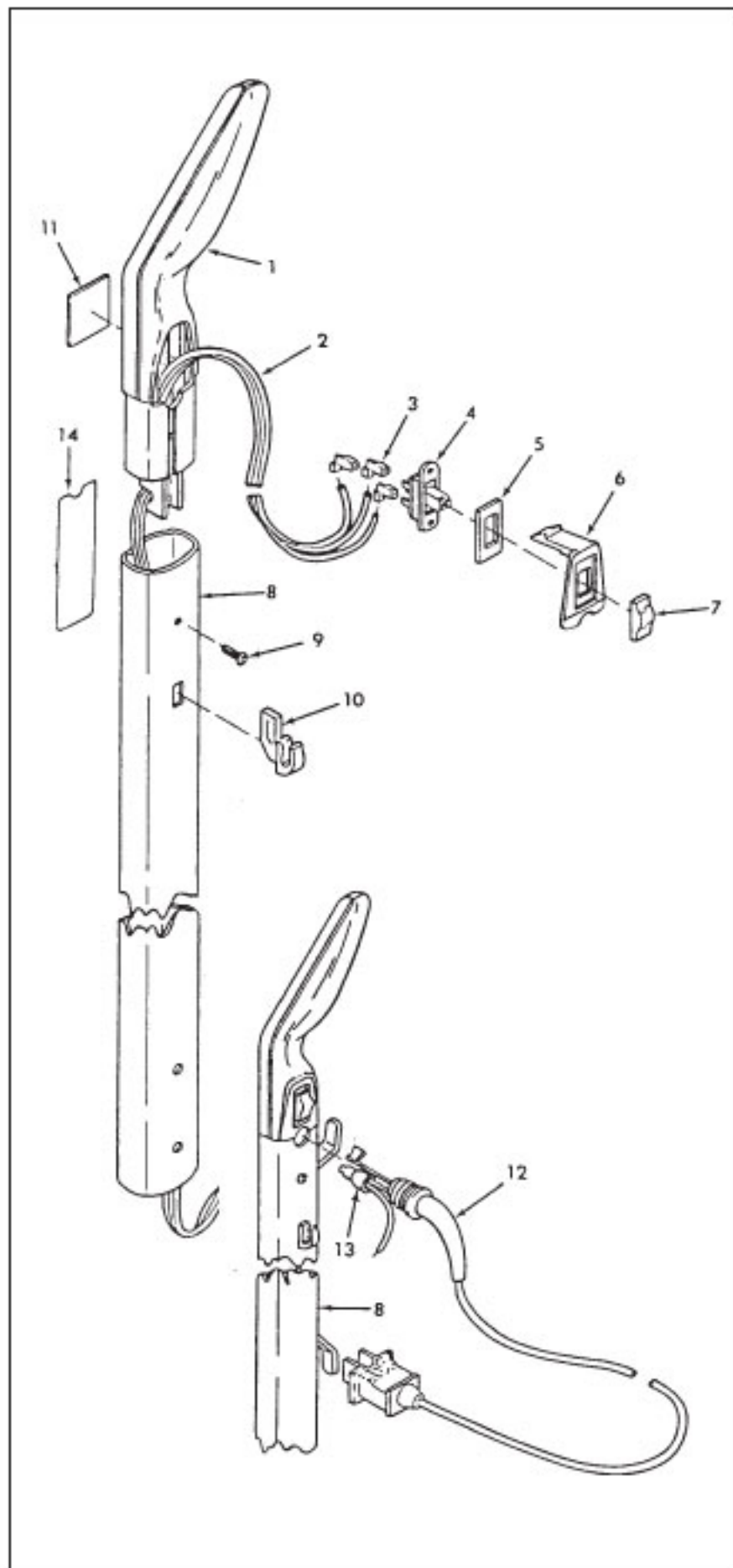
H-40201030	BELT, FLAT, 2 pack
H-4010001A	VACUUM BAG OEM HOOVER 3 PACK
H-43267002	AGITATOR BEARING ASM
HR-3420	SWITCH BUTTON
K-109289	BULB

Original

HOOVER

CONCEPT ONE

Models U4201, U4203, U4205, U4209, U4219

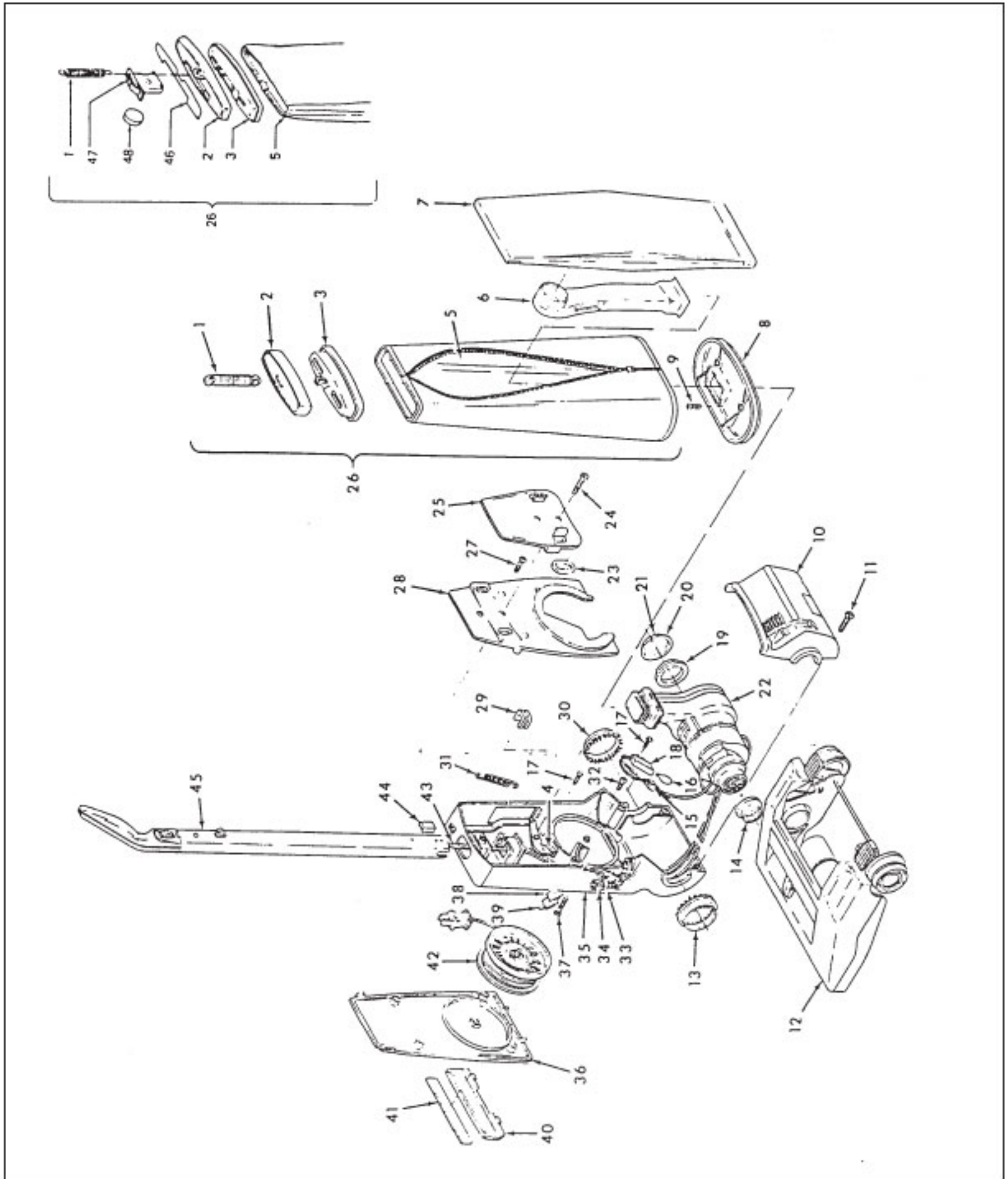


KEY	PART NO.	DESCRIPTION
1	H-48663072	Handle Grip Ass'y - U4203
	H-48663029	Handle Grip Ass'y - U4205
	H-48663109	Handle Grip Ass'y - U4209
	H-48663119	Handle Grip Ass'y - U4201, U4219
2	H-46514002	Lead Wire Ass'y - U4201, U4205, U4219
3	H-27666702	Terminal
4	H-28179010	Switch
	H-28179017	Switch - U4219
5	H-34138006	Switch Pad
6	H-37258096	Switch Cover - U4203, U4209
	H-37258087	Switch Cover - U4205
	H-37258086	Switch Cover - U4201, U4219
7	H-38421012	Switch Button
8	H-48631024	Handle Tube - U4203, U4209
	H-48631067	Handle Tube - U4201, U4205
	H-48631142	Handle Tube Asm. - U4219
9	H-166735 EF	Screw
10	H-39442002	Bag Support - U4201
	H-39442021	Bag Support
	H-39442005	Bag Support - U4205, U4219
	H-39442020	Bag Support - U4203, U4209
11	H-51639022	Handle Grip Nameplate
	H-51663003	Handle Grip Nameplate - U4219
12	H-46383227	Attach. Cord - U4203, U4209
13	H-12227	Connector - U4203, U4209
14	H-51638029	Handle Tube Nameplate - U4219

HOOVER Original

CONCEPT ONE

Models U4201, U4203, U4205, U4209, U4219



Original

HOOVER

CONCEPT ONE

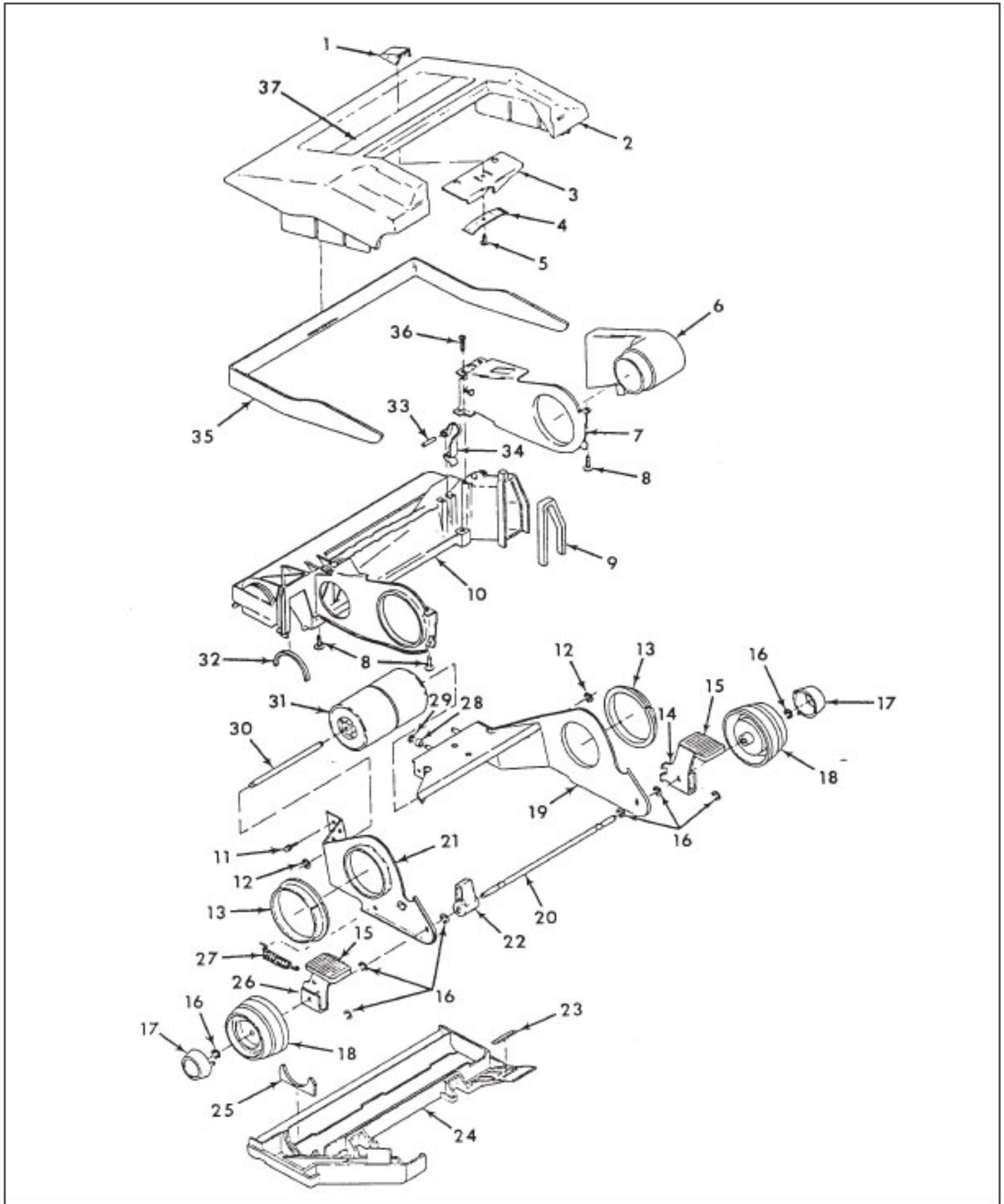
Models U4201, U4203, U4205, U4209, U4219

KEY	PART NO.	DESCRIPTION	KEY	PART NO.	DESCRIPTION
1	H-44475 AW H-38334002	Bag Support Spring - U4201, U4203 Bag Support Spring - U4205, U4209, U4219	27	H-21447020	Screw
2	H-37959055 H-37959037 H-37959006 H-37959054 H-37959011 H-37959016 H-37959014 H-37959045	Bag Cover - U4201 Bag Cover - U4203, U4209 Bag Cover - U4205 Bag Cover - U219 Hanger - U4201 Hanger - U4203, U4209 Hanger - U4205 Hanger - U4219	28	H-37257127 H-37257120	Rear Housing Cover - U4201 Rear Housing Cover - U4203, U4209
4	H-34121007 H-36222008	Pad - Cemented (Original Design) - U4201, U4205 - Not Interchangeable w/36222008 Pad - Force Fit (New Design) - U4201, U4205, U4219 - Not Interchangeable w/34121007		H-37257125 H-37257130	Rear Housing Cover - U4205 Rear Housing Cover - U4219
5	H-43677323 H-43677296	Outer Bag - U4201, U4203, U4205 Outer Bag - U4219	29	H-36218007	Ferrule - U4201, U4205, U4219
6	H-38657010	Top Fill Tube	30	H-38511002	Pivot Bearing
7	H-4010001 A	Throw Away Bag (3 Pk.)	31	H-38333006	Tension Spring - U4201, U4205, U4219
8	H-36425001	Jacket Bottom	32	H-160862 H-21447003	Screw (Cord Reel w/Tapped Hole) Screw (Cord Reel w/Untapped Hole)
9	H-21447012	Screw	33	H-27479307	Lead Wire Tie
10	H-37195008 H-37195006 H-37195071	Motor Cover - U4203, U4209 Motor Cover - U4205 Motor Cover - U4201, U4219	34	H-12227	Insulated Terminal
11	H-21447013	Screw	35	H-42253130 H-42253141	Front Housing Ass'y - U4201 Front Housing Ass'y - U4203, U4209
12	H-37253037 H-37253166 H-37253114 H-37253165	Hood Hood - U4203, U4209 (See Agitator Housing Detail) Hood - U4201, U4205 (See Agitator Housing Detail) Hood - U4219 (See Agitator Housing Detail)		H-42253149 H-42253135	Front Housing Ass'y - U4205 Front Housing Ass'y - U4219
13	H-38511002	Pivot Bearing	36	H-42253155 H-42253158 H-42253113	Front Cover Ass'y - U4201 Front Cover Ass'y - U4203, U4209 Front Cover Ass'y - U4203, U4205, U4209
14	H-32162003	Motor Mount - L.H.		H-42253116	Front Cover Ass'y - U4219
15	H-27617103	Connector - U4201, U4205, U4209, U4219	37	H-21447013	Screw
16	H-27313101	Dirt Finder Lamp - U4201, U4205, U4209, U4219	38	H-34165004	Brush Block Insulator - U4201, U4205, U4219
17	H-21447003	Screw - U4201, U4205, U4209, U4219	39	H-47348045	Brush Block Ass'y - U4201, U4205, U4219
18	H-47176001	Lamp Socket - U4201, U4205, U4209, U4219	40	H-48111002	Lens & Shield Ass'y - U4201, U4205, U4209, U4219
19	H-32175011	Motor Mount		H-37246096	Panel - U4203
20	H-32155008	Mount Ring	41	H-52115019 H-52115016	Front Cover Nameplate - U4201 Front Cover Nameplate - U4203
21	H-32156007	Seal Ring		H-51664004 H-51664006	Front Cover Nameplate - U4205 Front Cover Nameplate - U4209
22	H-43576038 H-43576068	Motor (See Detail) Motor (See Detail) - U4219		H-51664015	Front Cover Nameplate - U4219
23	H-34337001	Bag Gasket	42	H-46831106	Cord Reel - U4201, U4205, U4219
24	H-21563001	Screw	43	H-46514002	Lead Wire Ass'y - U4201, U4205, U4219
25	H-36425012	Jacket Support	44	H-38426032 H-38426033	Cord Release Button - U4201 Cord Release Button - U4205, U4219
26	H-43677327 H-43677216 H-43677150 H-43677147 H-43677287	Outer Bag Comp. - U4201 Outer Bag Comp. - U4203 Outer Bag Comp. - U4205 Outer Bag Comp. - U4209 Outer Bag Comp. - U4219	45	H-48631024	Handle Tube - U4203, U4209 (See Detail)
				H-48631067	Handle Tube - U4201, U4205 (See Detail)
				H-48631142	Handle Tube - U4219 (See Detail)
			46	H-51639083	Bag Cover Nameplate - U4219
			47	H-35111002	Drawer - AG - U4219
			48	H-57363003	Air Freshener Tablets (4 Pk.) - Spring Bouquet
			ITEMS NOT ILLUSTRATED		
				H-46831076	Commutator (Component of Cord Reel Ass'y)

HOOVER Original

CONCEPT ONE

Models U4201, U4203, U4205, U4209, U4219



Original

HOOVER

CONCEPT ONE

Models U4201, U4203, U4205, U4209, U4219

KEY	PART NO.	DESCRIPTION
1	H-38421023	Nozzle Adj. Lever
	H-38421027	Nozzle Adj. Lever - U4201, U4203
	H-38421026	Nozzle Adj. Lever - U4205
	H-38421028	Nozzle Adj. Lever - U4209
	H-38421037	Nozzle Adj. Lever - U4219
2	H-37253037	Hood - U4201
	H-37253166	Hood - U4203, U4209
	H-37253114	Hood - U4201, U4205
	H-37253165	Hood - U4219
3	H-38563015	Cam
4	H-34751002	Detent Spring
5	H-21447015	Screw
6	H-38656023	Air Duct
7	H-35476005	Agitator Housing Bracket - R.H.
8	H-21447014	Screw
9	H-34123003	Duct Seal
10	H-42246064	Agitator Housing Ass'y
11	H-165432	Screw
12	H-13306	Retaining Ring
13	H-32155004	Bearing
14	H-38452059	Handle Release Lever - R.H. (Plastic) - AG - U4203, U4209
	H-36131018	Spring Retainer (Use on U4203, U4219 Models w/o Handle Rel. Lever - R.H.)
15	H-38426024	Foot Pad - U4201
	H-38426030	Foot Pad - U4203, U4205, U4209
16	H-13730	Lock ring (Use 8 on Models w/ Metal Handle Rel. Levers; Use 4 on Models w/Plastic Handle Rel. Levers)
17	H-37911076	Wheel Cover - U4201
	H-37912009	Wheel Cover - U4203, U4209
	H-37912007	Wheel Cover - U4219
	H-169242	Wheel Cover - U4205
18	H-38522017	Rear Wheel - AG
	H-38522018	Rear Wheel - U4203, U4209
19	H-41431014	Wheel Carriage Ass'y - R.H.
20	H-32547002	Rear Axle
21	H-35476007	Wheel Carriage - L.H.
22	H-38452048	Handle Release
23	H-34112003	Bottom Plate Duct Seal
24	H-42245039	Bottom Plate Ass'y
24	H-37245087	Bottom Plate Ass'y - U4219

KEY	PART NO.	DESCRIPTION
25	H-38781006	Agitator Pulley Seal - Lower
26	H-38452070	Handle Release Lever - L.H. (Plastic) - U4203, U4209
	H-38452071	Handle Release Lever - L.H. (Plastic) - AG
27	H-161513	Spring
	H-38335014	Spring - U4219
28	H-31142014	Roller
29	H-163699	Lock Ring
30	H-32541001	Front Axle
31	H-38522008	Front Wheel
32	H-12173	Agitator Pulley Seal - Upper
33	H-31522016	Agitator Clip Pin
34	H-34788001	Agitator Clip
35	H-36235020	Furniture Guard - U4203
	H-36235028	Furniture Guard - U4205
	H-36235021	Furniture Guard - U4201, U4203, U4209
	H-36235029	Furniture Guard - U4219
36	H-21447003	Screw
37	H-52115113	Hood Nameplate - U4201, U4203, U4205, U4209
	H-52115123	Hood Nameplate - U4219

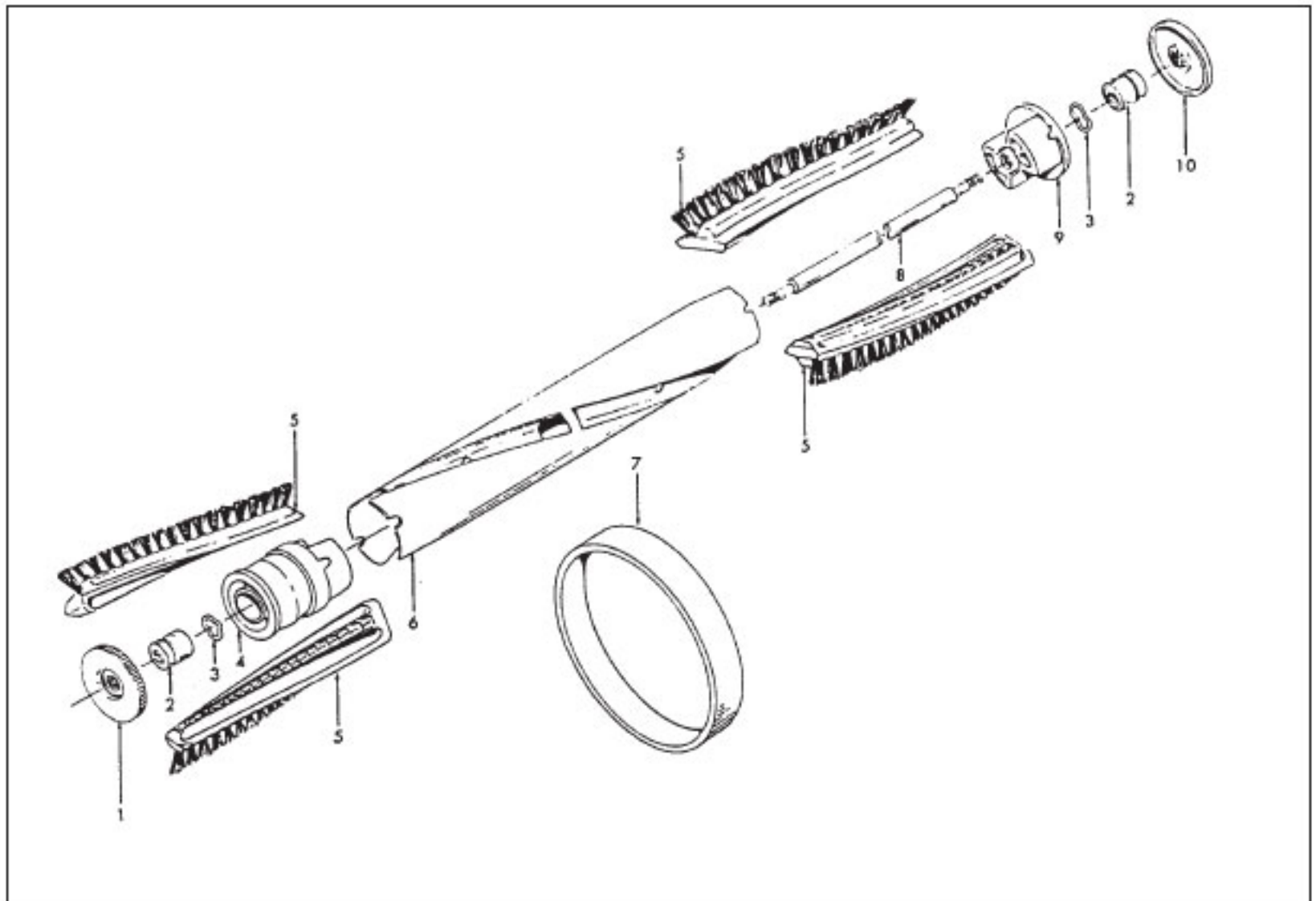
PACKAGING MATERIAL

H-56511061	Owner Manual - U4203
H-56511041	Owner Manual - U4201, U4205, U4209
H-56511262	Owner Manual - U4219
H-58152031	Carton - U4201
H-58152018	Carton - U4205
H-58152043	Carton - Common
H-58351003	Rear Support
H-58219007	Front, Top & Bottom Support
H-58343010	Front Support - U4219

ITEMS NOT ILLUSTRATED

H-21312777	Washer (2) Use on Models w/ Plastic Handle Rel. Levers between Rear Wheels and Handle Rel. Levers
------------	---

Original **HOOVER**
CONCEPT ONE, TWO & POWERMAX

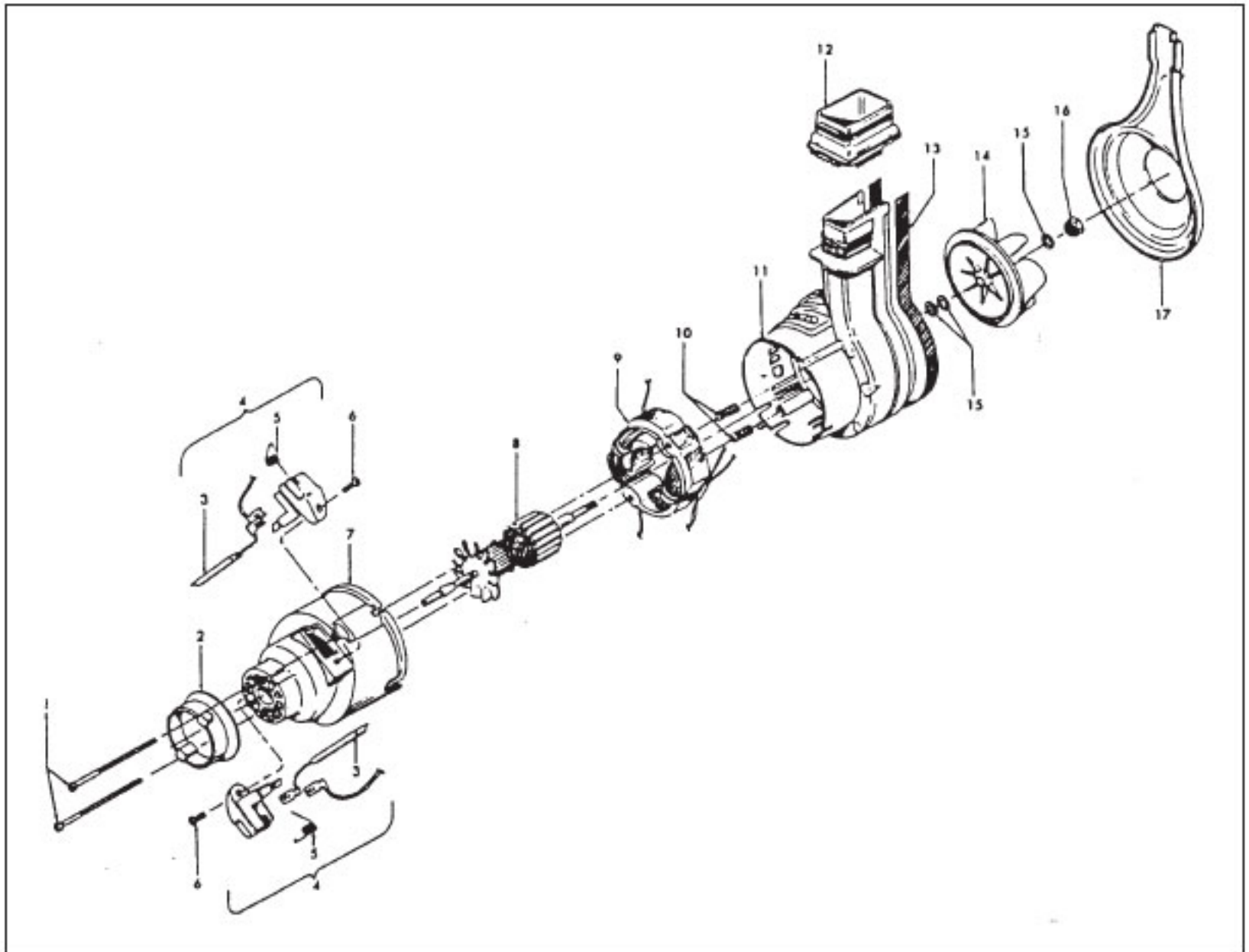


KEY	PART NO.	DESCRIPTION
	H-48414019	Agitator Ass'y Comp. - U3315-070, U3341-900, U3721-910, U3729-910
	H-48416009	Agaitator Ass'y Comp. - U3737-910, U3745-910
1	H-41435021	Thread Guard
2	H-43267002	Agitator Bearing Ass'y (2)
3	H-21347003	Conical Washer (2)
4	H-38537002	Agitator End Pulley
5	H-48445015	Agitator Brush (4)
	H-48445016	Agitator Brush (2) - U3315-070, U3341-900, U3721-910, U3729-910
6		(Not Available)
7	H-38528008	Agitator Belt
8	H-160070	Agitator Shaft
9	H-41435023	Agitator End
10	H-41435018	Thread Guard

HOOVER Original

CONCEPT ONE & POWERMAX

Models U3315, U3315-070, U3317, U3319-9, U3319-970, U3321, U3323, U3329, U3331, U3335, U3341-900, U3721-910, U3729-910, U3737-910, U3745-910



KEY	PART NO.	DESCRIPTION
	H-43576074	Motor Ass'y Comp.
1	H-21479573	Screw - Self Tapping (2)
2	H-32162003	Motor Mount
3	H-47315010	Brush & Terminal Ass'y (2)
4	H-47318008	Brush Carrier Ass'y
5	H-38353004	Spring (2)
6	H-21479302	Screw - Self Tapping (2)
7	H-42193004	Motor Housing Ass'y
8	H-44765213	Armature Ass'y Comp.
9	H-45317027	Field Ass'y Comp.
10	H-12854	Spring
11	H-43588001	Fan Chamber Ass'y
12	H-38785002	Seal
13	H-54821001	Tape
14	H-38755003	Fan
15	H-166563	Washer (3)
16	H-33426001	Nut
17	H-43588003	Fan Cover Ass'y

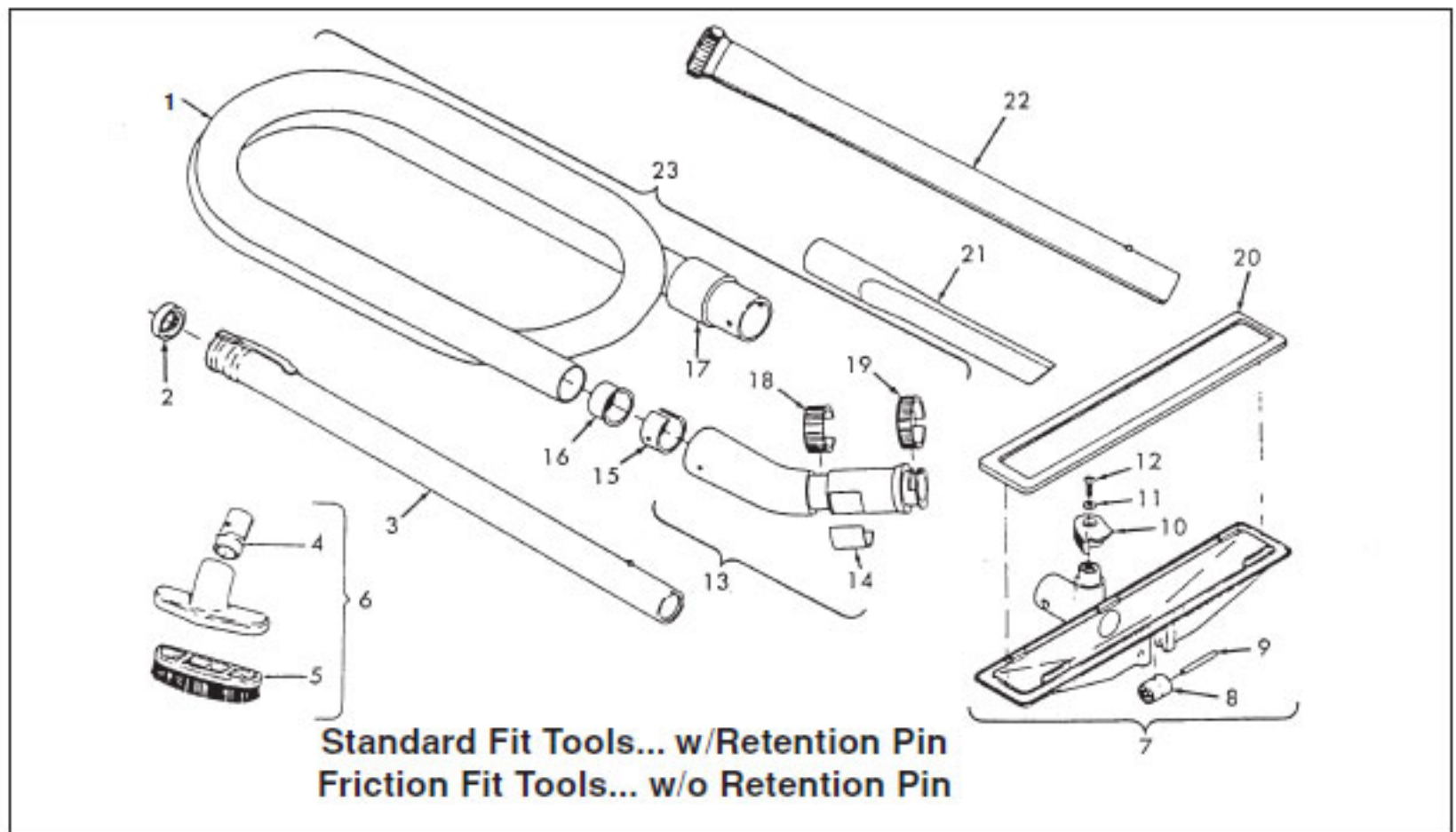
Original

HOOVER

CONCEPT

Cleaning Tools

Model U3903 (Standard), Model U3903-070 (Friction)



KEY	PART NO.	DESCRIPTION	KEY	PART NO.	DESCRIPTION
1	H-43431069	Hose Less Ends (Continuous Convolutions) - (Std. Fit Ends)	15	H-36116006	Hose Connector Collar (Use w/ Continuous Convolution Hose) - (Std. Fit. Hose)
	H-43431182	Hose Only (Std. Fit Ends)		H-36171025	Hose Connector Collar (Use w/ Circular Ribbed Hose) - (Std. Fit Hose)
	H-38671001	Hose Less Ends (Circular Ribbed) - (Std. Fit Ends)	16	H-32156010	Hose Sleeve (Std. Fit Hose)
	H-38671025	Hose Less Ends (Circular Ribbed) - (Friction Fit Ends)	17	H-32288001	Hose Connector (Use w/ Continuous convolution Hose) - (Std. Fit)
2	H-12845 JM	Gasket		H-32288003	Hose Connector (Use w/Circular Ribbed Hose) - (Std. Fit)
3	H-13144	Ext. Tube (Aluminum) - (Std. Fit)	18	H-32288004	Hose Connector - AAP - (FrictionFit)
4	H-13149 JM	Nozzle Connector Tube (Use w/161852 JM)	19	H-36153008	Suction Control Ring - (Standard)
5	H-13254 BZ	Brush Back Comp. (Use w/161852 JM)	20	H-43548006	Latch Ring - (Standard)
6	H-161852 JM	Furniture Brush Comp.	21	H-38617018	Converter Seal
	H-43414017	Multi-Purpose Brush (One Piece) - (Std. Fit)	22	H-38617023	Crevice Tool - (Std. Fit)
7	H-43482077	Converter - (Standard & Friction Fit)		H-43453043	Crevice Tool - (Friction Fit)
8	H-32761008	Wheel	22	H-38634074	Ext. Tube (Polystyrene) - (Std. Fit)
9	H-21155119	Roller Shaft		H-43434203	Ext. Tube (Polystyrene) - (Friction Fit)
10	H-38452054	Latch Lever	23	H-43434203	(Continuous Convolutions) (w/o Suction Regulator) - (Std. Fit)
11	H-31142012	Washer		H-43434209	Hose Comp. - Front Conversion (Circular Ribbed) (w/o Suction Regulator) - (Std. Fit)
12	H-17001	Screw		H-43434225	Hose Comp. - AAP - (Friction Fit)
13	H-43466042	Hose Connector Curved w/Rings - JM (Use w/Continuous Convolution Hose) - (Std. Fit)		H-43414071	Furniture Nozzle - (Std. Fit)
	H-43466055	Hose Connector Curved w/Ring (w/o Suction Regulator) (Use with Circular Ribbed Hose) - (Std. Fit)		H-38614026	Furniture Nozzle - (Friction Fit)
	H-39454053	Hose Connector Curved - AAP - (Hand Grip) - (Friction Fit)		H-43466040	Ext. Tube - Curved
14	H-51869006	Hose Connector Label		H-170110 --	Shag Rake
				H-43414129	Dusting Brush - (Friction Fit)
				H-43414135	Floor Brush - (Friction Fit)