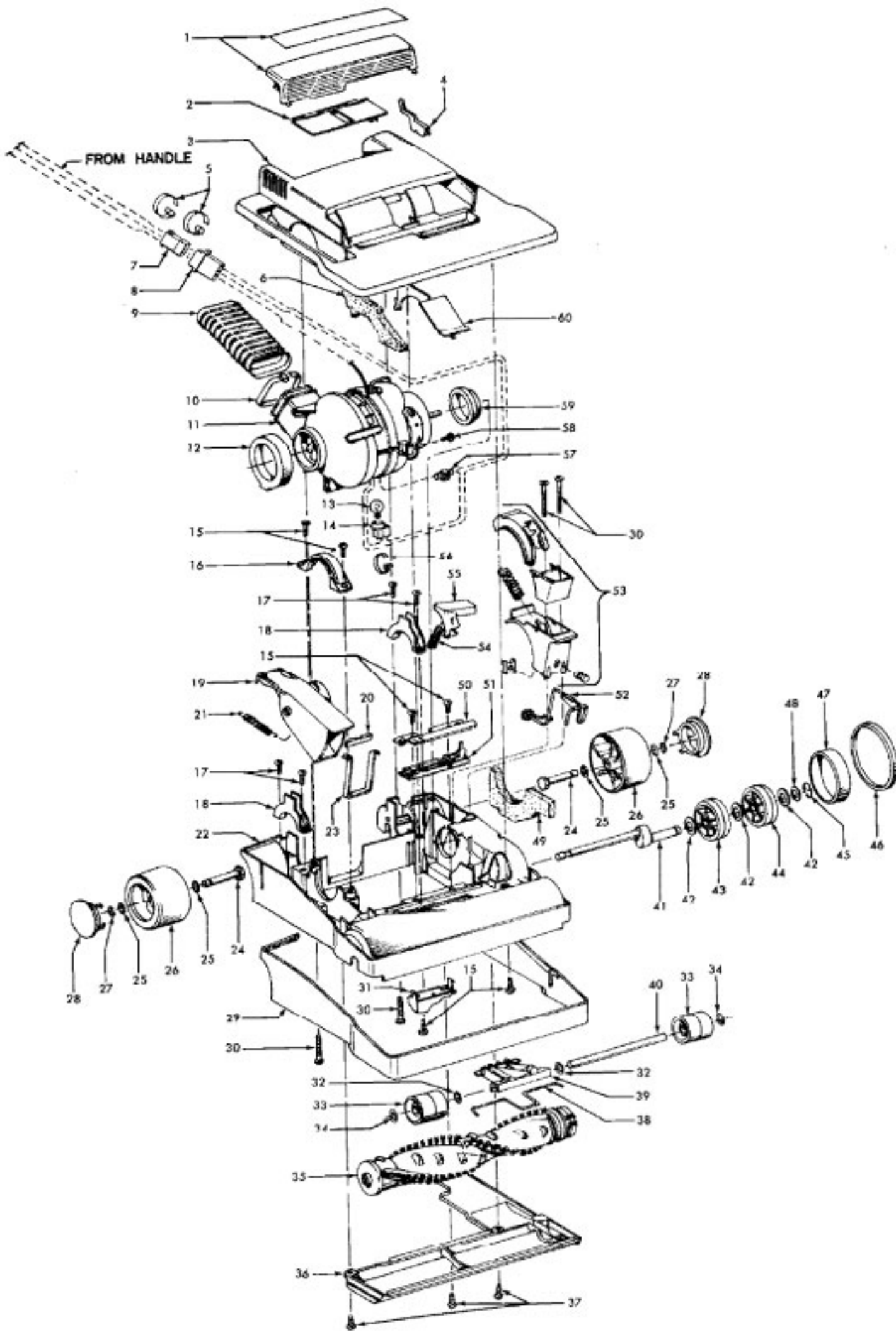


Model Number: U4231--
BOM/Serial #: U4231--
Graphic Title: HANDLE, OUTERBAG

Image	Key	Part Number	Description	Substitution	Qty.
1	1	37911619	HANDLE PLUG - 678392		1
1	2	38421012	SWITCH BUTTON		1
1	3	42262507	HANDLE COVER ASSEM -		1
1	4	39442556	CORD STOR. HOOK-UPPE		1
1	5	21448005	SCREW - 674270		2
1	6	28179019	SWITCH W/SHIELD - U4		1
1	7	27482148	STRAIN RELIEF BUSHIN		1
1	8	37911549	RETAINING RING - 678		1
1	9	21434229	SCREW - 2143422J		1
1	10	36171512	CORD SADDLE CLAMP -		1
1	11	51638509	HANDLE DECAL - 67842		1
1	12	39454583	HANDLE - 678402		1
1	12	48655581	HANDLE ASSEMBLY-4865		1
1	13	27712001	SOCKET HOUSING - 678		1
1	14	27712508	PIN HOUSING - 678400		1
1	15	46383304	ATTACHMENT CORD		1
1	16	21448009	SCREW - 677294		1
1	17	46517546	LEAD WIRE ASSEM. - 6		1
1	18	38656541	TOP FILL TUBE - 6784		1
1	19	21448010	SCREW - 677293		1
1	20	43484510	LOWER HANDLE DUCT -		1
1	21	21434235	SCREW -SOVEREIGN		5
1	22	38562522	BUSHING - 677257		1
1	23	37258541	COVER - 678408		1
1	24	38562512	ACTUATOR CAM - 67725		1
1	25	36131514	BELLOWS GATE- 678409		1
1	26	42256508	BOTTOM JACKET SUPPOR		1
1	26	42256507	BOTTOM JACKET SUPPOR		1
1	27	39411516	MUFFLER FOAM - 67871		2
1	28	39411519	MUFFLER FOAM - 67871		2
1	29	36131511	INNER JACKET RETAINE		1
1	30	57363540	INNOVATION TABLET		1
1	31	21448011	SCREW - 678433		2
1	32	36957518	JACKET SUPPORT - 678		1
1	33	42256506	MUFFLER COVER - 6784		1

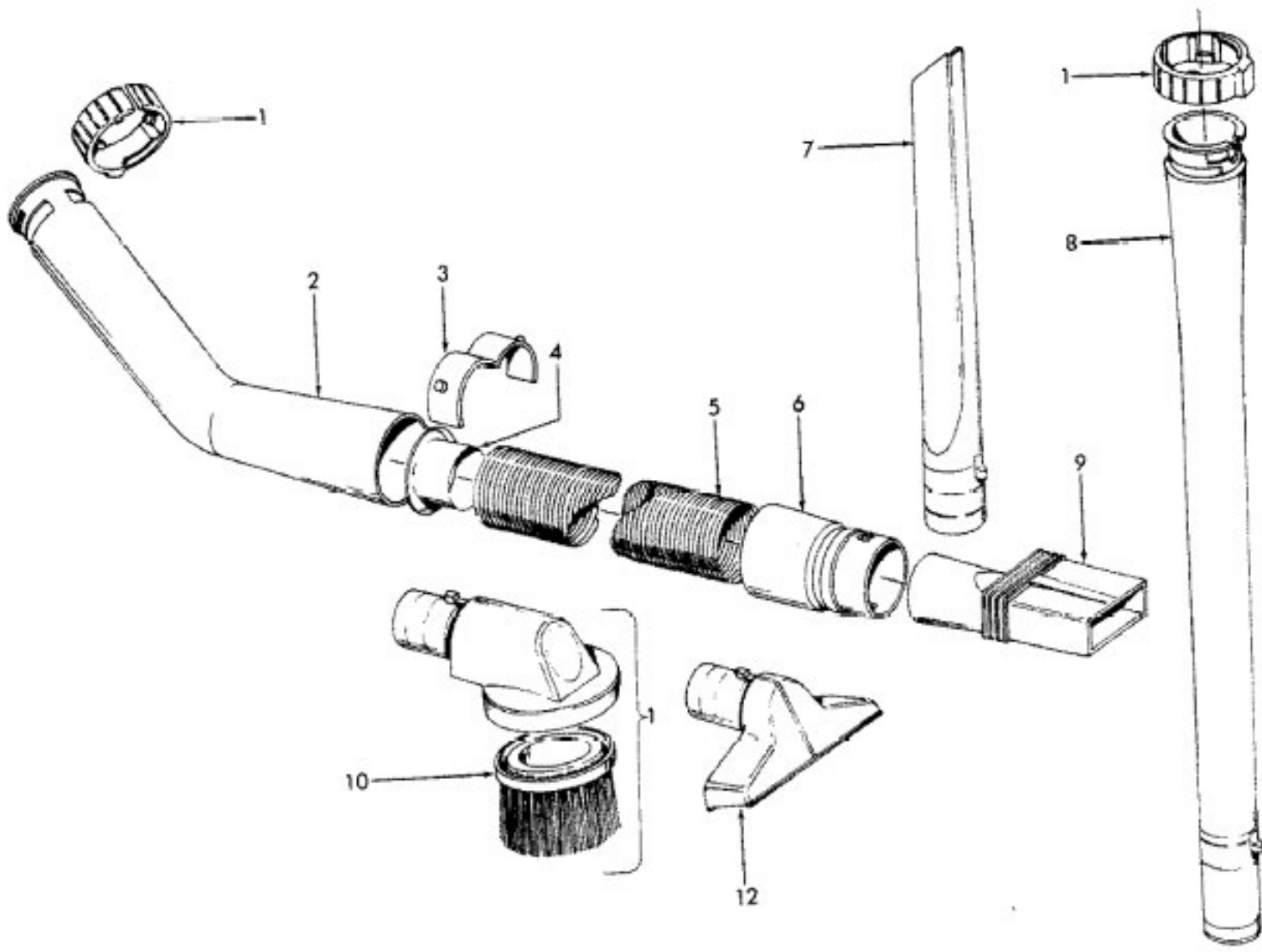
Image	Key	Part Number	Description	Substitution	Qty.
1	34	39411518	MUFFLER FOAM - 67728		1
1	35	39411512	MUFFLER INSERT - 677		1
1	36	36957519	HEADER CAP - 677596		1
1	37	38314509	SPRING - 677595		1
1	38	43677503	OUTER JACKET-U4231 -		1
1	38	43677504	OUTER JACKET-U4233 -		1
1	39	4010093B	INNOVATION BAG		1
1	40	21448022	SCREW - 677444		2
1	41	32377501	SCENT RETAINER - 677		1
1	42	37931504	LOCKING CAP - 678412		1
1	43	38458511	SCENT LEVER - 677290		1



Model Number: U4231--
BOM/Serial #: U4231--
Graphic Title: MAINBODY, HOOD

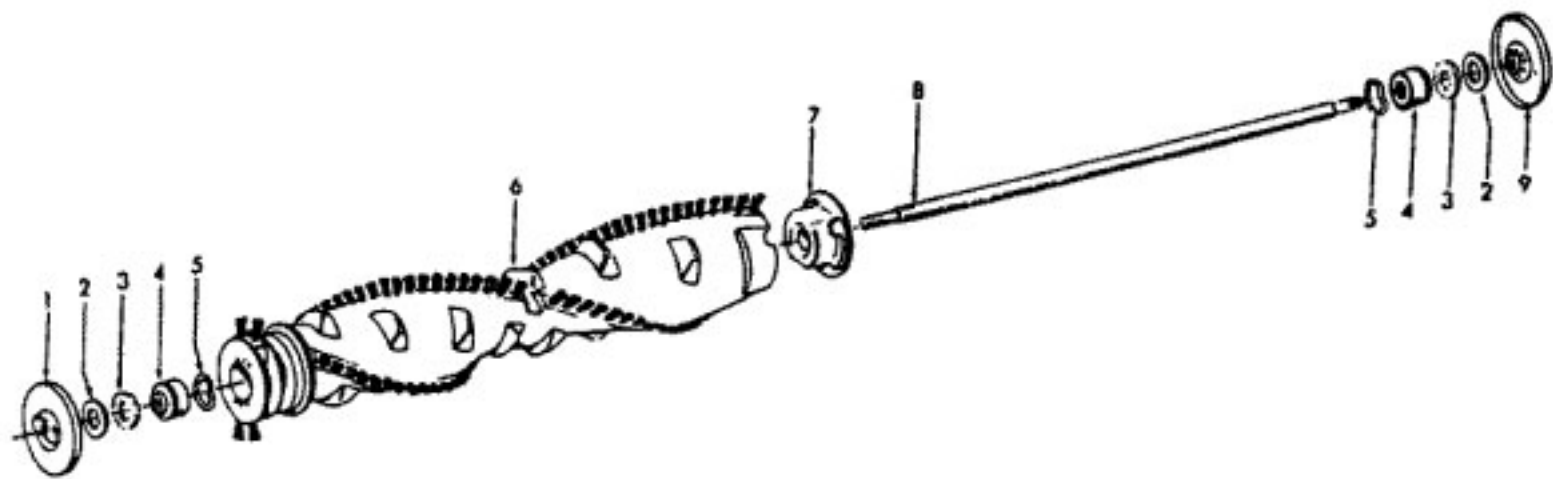
Image	Key	Part Number	Description	Substitution	Qty.
1	1	48111519	DIRT FINDER LENS - 6		1
1	2	37246522	LENS SHIELD - 677259		1
1	3	37253632	HOOD-PRINTED-678439		1
1	3	37253633	HOOD PRINTED - 67842		1
1	4	43134503	NOZ. HEIGHT ADJ. LEV		1
1	4	43134506	NOZZLE HEIGHT ADJ LE		1
1	5	27479307	CABLE TIE		1
1	6	39411514	HOOD FOAM - 678710		1
1	7	164922--	CONNECT HSG HDLE-348		1
1	8	164921--	CONNECT HSG BAIL-348		1
1	9	38673503	BELLOWS - 677223		1
1	10	27479303	CABLE TIE		1
1	11	43578059	MOTOR ASSEMBLY		1
1	12	36322018	MOTOR MOUNT - 678430		1
1	13	48122501	DIRT FINDER LAMP		1
1	14	36912011	LAMP SOCKET-AG-67843		1
1	15	21448003	SCREW - 676630		6
1	16	36171514	MOTOR MOUNT RETAINER		1
1	17	21448023	SCREW - 678432		4
1	18	36171515	RETAINER - 677253		2
1	19	38656542	INLET DUCT - 678440		1
1	19	38656537	INLET DUCT - 677229		1
1	20	68228008	INLET DUCT SEAL - 67		1
1	21	38335503	INLET DUCT SPRING-67		1
1	22	37241519	CHASSIS		1
1	23	68537011	INLET DUCT SEAL - 67		1
1	24	32371705	REAR WHEEL SHAFT - 6		2
1	25	21312772	WASHER		4
1	26	31333509	REAR WHEEL - 678441		2
1	26	31333510	REAR WHEEL - 678413		2
1	27	24735013	WHEEL RETAINER - 677		2
1	28	32132713	REAR WHEEL CAP - 678		2
1	28	32132711	WHEEL COVER - 677226		2
1	29	36235547	FURNITURE GUARD - 67		1
1	29	36235548	FURNITURE GUARD - 67		1

Image	Key	Part Number	Description	Substitution	Qty.
1	30	21448004	SCREW - 677252		4
1	31	38563508	NOZZLE HEIGHT CAM -		1
1	32	21312677	WASHER - 674684		2
1	33	38521504	CARRIER WHEEL -SOVER		2
1	34	21361013	PUSH ON FX -673862		2
1	35	48414514	AGITATOR ASSEMBLY		1
1	36	42245507	BOTTOM PLATE ASSEM.-		1
1	37	21448002	SCREW-SELF TAPPING-6		3
1	38	33175501	WHEEL SUPPORT SPRING		1
1	39	36432503	WHEEL SUPPORT - 6746		1
1	40	31525502	CARRIER WHEEL SHAFT-		1
1	41	43228502	PULLEY SHAFT - 67724		1
1	42	21328033	THRUST WASHER- 67724		3
1	43	43246505	IDLER PULLEY - 67724		1
1	44	43251510	DRIVE PULLEY - 67724		1
1	45	24735014	RETAINING RING-67724		1
1	46	38528523	V-BELT INNOVATION		1
1	47	38528517	FLAT BELT - 678355		1
1	48	21311154	WASHER - 677246		1
1	49	39411513	CHASSIS FOAM - 67870		1
1	50	34662510	SHAFT RETAINER - 677		1
1	51	38451519	NOZZLE HEIGHT SLIDE		1
1	52	43285504	BELT SHIFTER- 677204		1
1	53	41111507	PUSH LEVER ASSEM. -		1
1	54	38312510	SPRING -SOVEREIGN		1
1	55	38434528	HANDLE CONTROL PEDAL		1
1	55	38434529	HANDLE CONTROL PEDAL		1
1	56	27479307	CABLE TIE		1
1	57	27617104	CONNECTOR-U4383		1
1	58	160508--	SCREW-3616		1
1	59	36221531	MOTOR MOUNT - 678418		1
1	60	39411511	HOOD BAFFLE - 678708		1
1	61	56511275	OWNER MANUAL		1
1	61	56511273	OWNER MANUAL-U4231/3		1
1	61	58461558	TOP FITTING - U5045		1



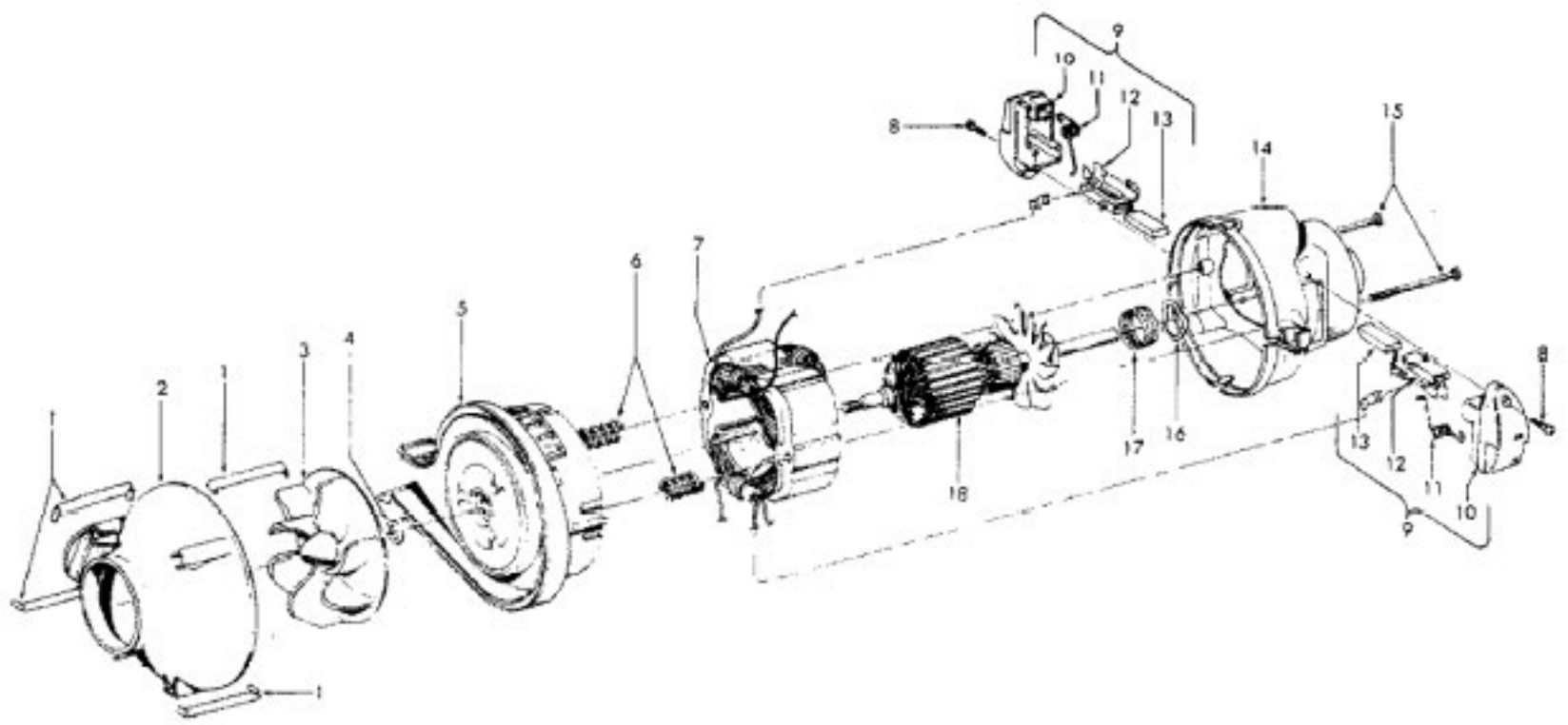
Model Number: U4231--
BOM/Serial #: U4231--
Graphic Title: CLEANINGTOOLS

Image	Key	Part Number	Description	Substitution	Qty.
1	1	43433501	HOSE & CONVERTOR ASS		1
1	1	36172560	LATCH RING - 678705		1
1	2	38646535	HOSE CONNECTOR CURVE		1
1	3	36171501	HOSE CONENCTOR COLLA		1
1	4	32156707	HOSE LINER - 678704		1
1	5	43431529	HOSE - 678713		1
1	6	38634517	HOSE CONNECTOR - 674		1
1	7	38617507	CREVICE TOOL - 67405		1
1	8	43453512	EXTENSION TUBE - 676		1
1	9	38656518	CONVERTOR - 677762		1
1	10	808532--	DUSTING BRUSH - 6182		1
1	11	43414064	DUSTING BRUSH-AG		1
1	12	38614514	FURNITURE NOZZLE - 6		1
1	13	56519028	OWNER MANUAL - U4911		1



Model Number: U4231--
BOM/Serial #: U4231--
Graphic Title: AGITATOR

Image	Key	Part Number	Description	Substitution	Qty.
1	1	41435500	AGITATOR THREAD GUARD - R.H.		1
1	2	32171702	CUP WASHER -SOVEREIG		2
1	3	21329036	FELT WASHER-SOVEREIG		2
1	4	012978--	AGITATOR BEARING 106		2
1	5	641927--	EXP-WASHER-SPRING TH		2
1	6	48414513	AGITATOR BODY LACED		1
1	7	36422502	AGITATOR END -SOVERE		1
1	8	32724503	AGITATOR SHAFT - 677		1
1	9	41435500	AGITATOR THREAD GUARD - R.H.		1



Model Number: U4231--
BOM/Serial #: U4231--
Graphic Title: MOTOR ASSEMBLY

Image	Key	Part Number	Description	Substitution	Qty.
1	1	34786004	SPRING CLIP		4
1	2	38736028	FAN CHAMBER		1
1	3	38755030	FAN		1
1	4	21312793	WASHER - U4455		1
1	5	43588012	MOTOR END FRAME ASSE		1
1	6	38313024	COMPRESSOR SPRING		2
1	7	45317025	FIELD ASSEMBLY		1
1	8	21479302	SCREW-U7069/71		2
1	9	47318017	BRUSH CARRIER ASSEMB	47318007	2
1	10	168038AG	BRUSH HOUSING-ONLY-S		2
1	11	38353011	SPRING		2
1	12	168506--	BRUSH HOUSING COMP-S		2
1	13	47315004	CARBON BRUSH		2
1	14	37191097	MOTOR HOUSING		1
1	15	21479577	FIELD BOLT		2
1	16	21345115	WAVE SPRING WASHER		1
1	17	24198002	STAR RING-C2075		1
1	18	44765202	ARMATURE ASSEMBLY		1