

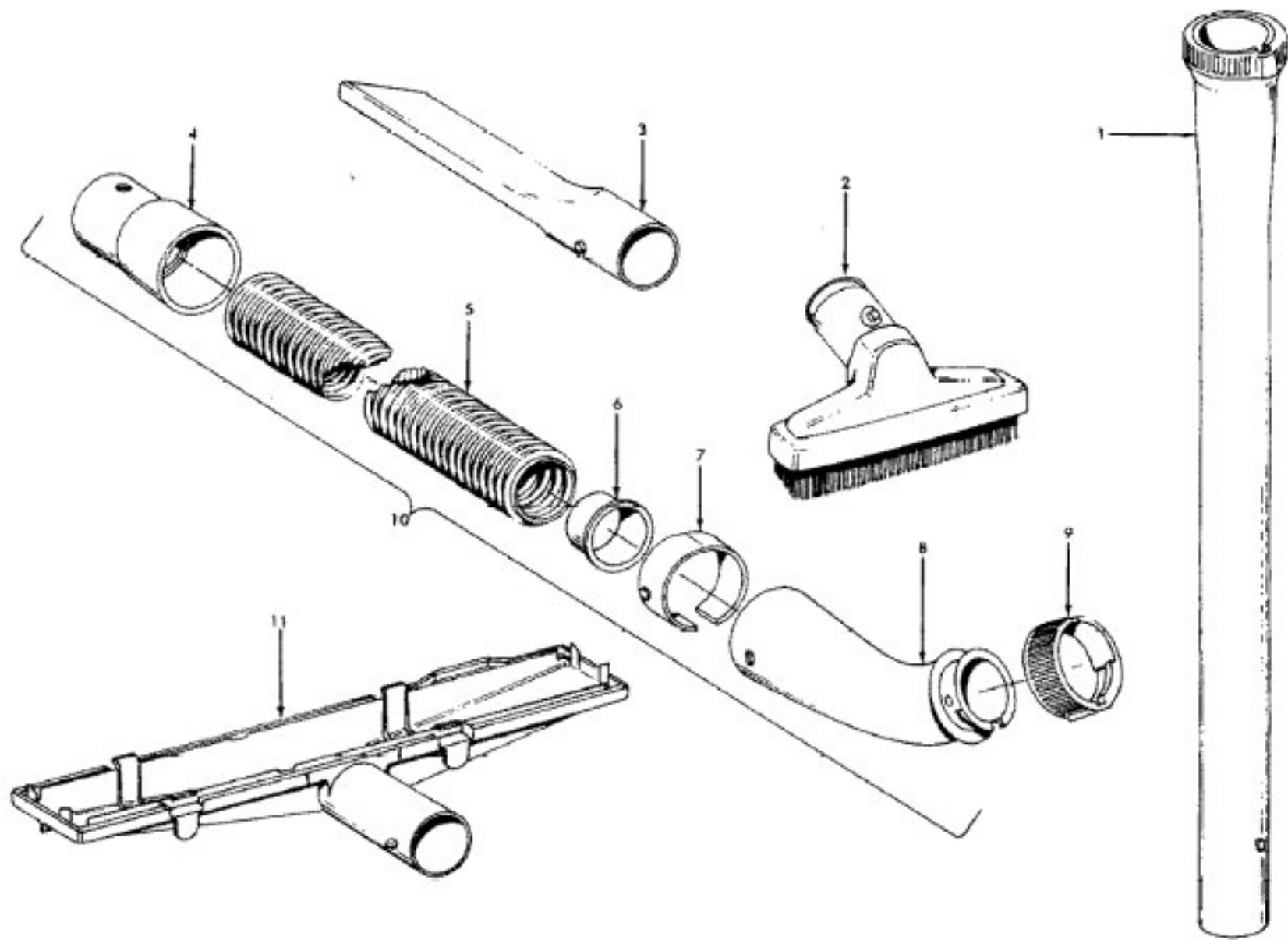
Model Number: U4247030

BOM/Serial #: U4247030

Graphic Title: MOTOR, HANDLE, MAINBODY, OUTERBAG, HOOD

Image	Key	Part Number	Description	Substitution	Qty.
1	1	48663142	UPPER HANDLE ASSM -		1
1	1	48663141	UPPER HANDLE ASSEM-M		1
1	2	46388043	CORD-30 FT-U5254/56		1
1	2	37911079	HANDLE CAP - ABE		1
1	3	46388027	ATTACH. CORD		1
1	4	38335020	BAG STRAP SPRING - A		1
1	5	36425071	BAG STRAP-ABE		1
1	5	36425072	BAG STRAP-ABE-U4717-		1
1	6	36425067	JACKET SUPPORT-UPPER		1
1	6	36425064	JACKET SUP-UPPER-ABE		1
1	7	43675182	OUTER JACKET-U4253-9		1
1	7	43686240	OUTER JACKET-U4166-9		1
1	7	43675183	JACKET ASSEM.-U4247-		1
1	8	38456036	SWITCH CONTROL ROD		1
1	9	39464005	LOWER HANDLE - ABE		1
1	10	40201085	NUT & BOLT ASSEMBLY-		1
1	11	36425063	JACKET SUPPORT-LOWER		1
1	11	36425068	JACKET SUPPORT-LOWER		1
1	12	38522011	WHEEL REAR - AG		2
1	13	31523012	REAR WHEEL SHAFT		2
1	14	42242270	MAIN BODY ASSEM W/RE	12002584	1
1	15	38458022	HANDLE RELEASE LEVER		1
1	16	36131057	MOTOR RETAINER CAP -		1
1	17	21447217	SCREW-SELF TAPPING		4
1	18	4010001A	TOP FILL UPR BAG - 3-PK		1
1	19	37252112	HOOD-ABN-U4245-030		1
1	19	37252114	HOOD-AA Y-U4249-030		1
1	19	37252113	HOOD-ABN-U4247-030		1
1	19	37252067	HOOD-JM-U4467		1
1	19	37252115	HOOD-AA Y-U4250		1
1	19	37252065	HOOD - MT - U4455		1
1	19	37252111	HOOD-ABN-U4245		1
1	19	37252081	HOOD-MR-U4467-980		1
1	19	37252110	HOOD-AAP-U4283-970		1
1	19	37252087	HOOD-MN-U4467-960		1

Image	Key	Part Number	Description	Substitution	Qty.
1	20	36131090	MOTOR RETAINER		1
1	21	43576205	MOTOR-12 AMP-U4250		1
1	21	43576201	MOTOR-C1404/12/14-90		1
1	21	43576141	MOTOR COMPLETE W/O H	43576201	1
1	22	38528027	BELT-ELITE	38528040	1
1	22	38528040	AG BELT-12AMP BULK		1
1	23	13261AY-	RIB SHOE	013261AY	1
1	24	36131056	WHEEL RETAINER - BZ		2
1	25	43248055	FRONT WHEEL ASSEM-C1		1
1	26	32563012	WHEEL SHAFT - AY - U		1
1	27	43248055	FRONT WHEEL ASSEM-C1		1
1	28	48414079	AGITATOR-AG		1
1	29	37245106	BOTTOM PLATE -AG		1
1	29	37245017	BOTTOM PLATE - AG		1
1	30	38784016	SEAL - U4455		1
1	31	58369061	REAR SUPPORT-U4467-9		1
1	31	56511280	OWNER MANUAL-ELITE/S		1
1	31	56511343	OWNER MANUAL-U4283/U		1
1	31	56511387	OWNER MANUAL-U4245-0		1
1	31	56511390	OWNER MANUAL-U4245		1
1	31	56511A18	OWNER MANUAL-U4245		1
1	31	56511B24	OWNER MANUAL-U4266-9		1
1	31	58346004	FRONT SUPPORT - U445		1
1	31	58353009	REAR SUPPORT - U4455		1
1	40	34123056	GASKET-MAIN BODY		1
1	40	38617024	CREVICE TOOL - AG		1
1	40	38634078	EXTENSION TUBE-AG		1
1	40	38656016	CONVERTOR BODY-AAP-U		1
1	40	3944201P	CORD WRAP		1
1	40	43414145	DUSTING BRUSH		1
1	40	43434225	HOSE ASSEMBLY COMP-F		1
1	40	38614029	FURNITURE NOZZLE-AG		1

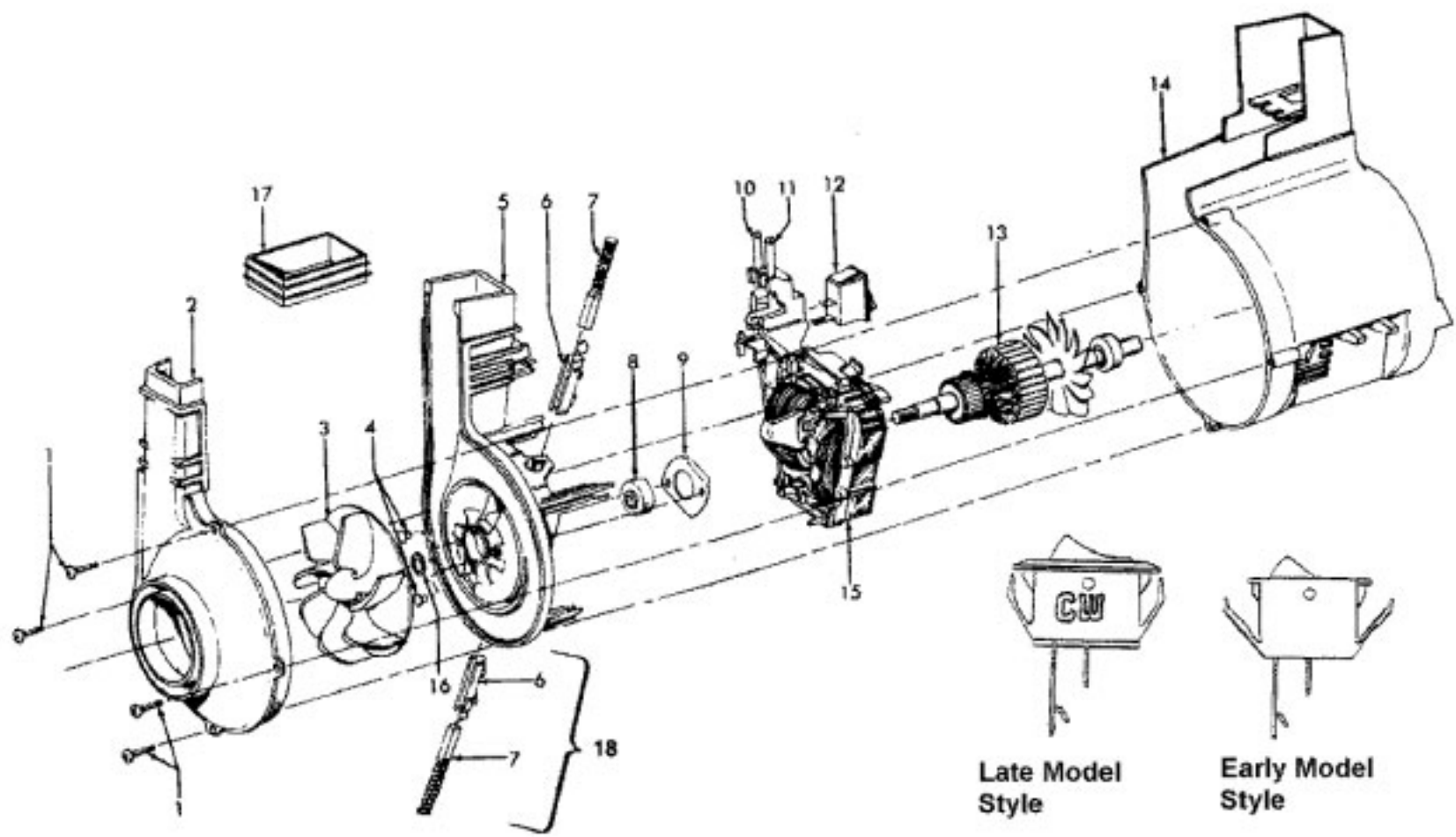


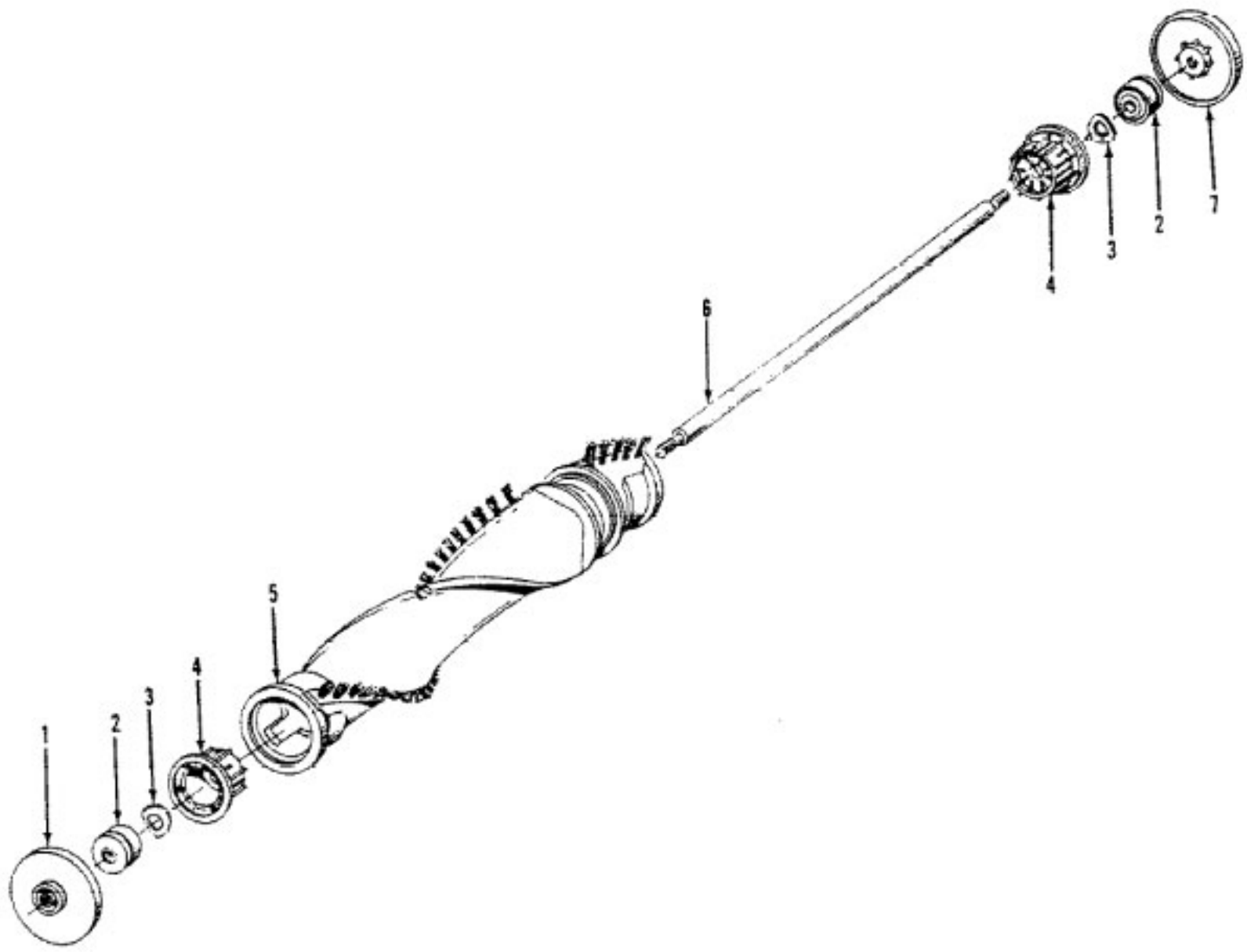
Model Number: U4247030
BOM/Serial #: U4247030
Graphic Title: CLEANINGTOOLS

Image	Key	Part Number	Description	Substitution	Qty.
1	1	3863801P	EXTENSION TUBE-AG-PO		1
1	2	43414016	FURNITURE BRUSH-AG		1
1	3	38617017	CREVICE TOOL-AG -S32		1
1	4	32288004	HOSE CONNECTOR-AAP-U		1
1	5	38671028	HOSE LESS ENDS-AAP-U		1
1	6	32156010	HOSE SLEEVE - BZ		1
1	7	36171025	HOSE CONNECTOR COLLA		1
1	8	43466058	HOSE CONNECTOR-CURVE		1
1	8	39454059	HAND GRIP		1
1	9	36153009	LATCH RING-AG-S3273		1
1	10	43434210	HOSE ASSEM COMP-AAP-		1
1	11	43414073	FLOOR BRUSH-AG-S3273		1
1	11	43414064	DUSTING BRUSH-AG		1
1	11	43414057	FURNITURE NOZZLE-AG-		1
1	11	38656016	CONVERTOR BODY-AAP-U		1

Model Number: U4247030
BOM/Serial #: U4247030
Graphic Title: MOTOR PARTS

Image	Key	Part Number	Description	Substitution	Qty.
1	1	----	NOT REQUIRED PART OR SEE NOTE		1
1	2	38736033	FAN CHAMBER		1
1	3	38755030	FAN		1
1	4	----	NOT REQUIRED PART OR SEE NOTE		1
1	5	----	NOT REQUIRED PART OR SEE NOTE		1
1	6	----	NOT REQUIRED PART OR SEE NOTE		1
1	7	----	NOT REQUIRED PART OR SEE NOTE		1
1	8	----	NOT REQUIRED PART OR SEE NOTE		1
1	9	----	NOT REQUIRED PART OR SEE NOTE		1
1	10	36914004	SWITCH BUS BAR - U44		1
1	11	39116005	ATTACHMENT TERMINAL		1
1	11	37194050	MOTOR END CAP W/O HL		1
1	12	28218043	SWITCH ASSEMBLY - U4		1
1	12	28161062	SWITCH ASSEMBLY-ELIT		1
1	13	----	NOT REQUIRED PART OR SEE NOTE		1
1	14	37194049	MOTOR END CAP W/HL		1
1	15	----	NOT REQUIRED PART OR SEE NOTE		1
1	16	21312793	WASHER - U4 55		1
1	17	38783020	DUCT SEAL-MOLDED		1
1	18	41311016	BRUSH HOLDER ASSEMBL		1
1	19	54821001	TAPE - CONCEPT MOTOR		1
1	19	38781013	DUCT SEAL - ELITE		1





Model Number: U4247030
BOM/Serial #: U4247030
Graphic Title: AGITATOR

Image	Key	Part Number	Description	Substitution	Qty.
1	1	36423016	THREAD GUARD - RH -		1
1	2	43267002	AGITATOR BEARING ASM		2
1	3	21347003	CONICAL WASHER		2
1	4	36422022	AGITATOR END - U4455		2
1	5	-----	NOT REQUIRED PART OR SEE NOTE		1
1	6	32724013	AGITATOR SHAFT - U44		1
1	7	36423017	THREAD GUARD - LH -		1