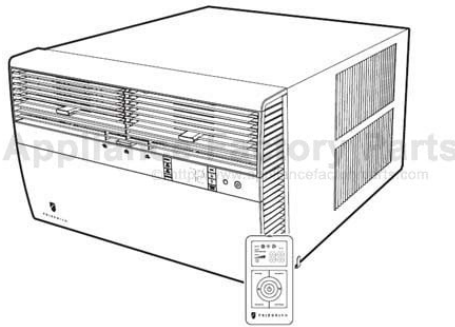


This Owner's Manual is provided and hosted by [Appliance Factory Parts](#).



FRIEDRICH SS10M10-B Owner's Manual

[Shop genuine replacement parts for FRIEDRICH
SS10M10-B](#)



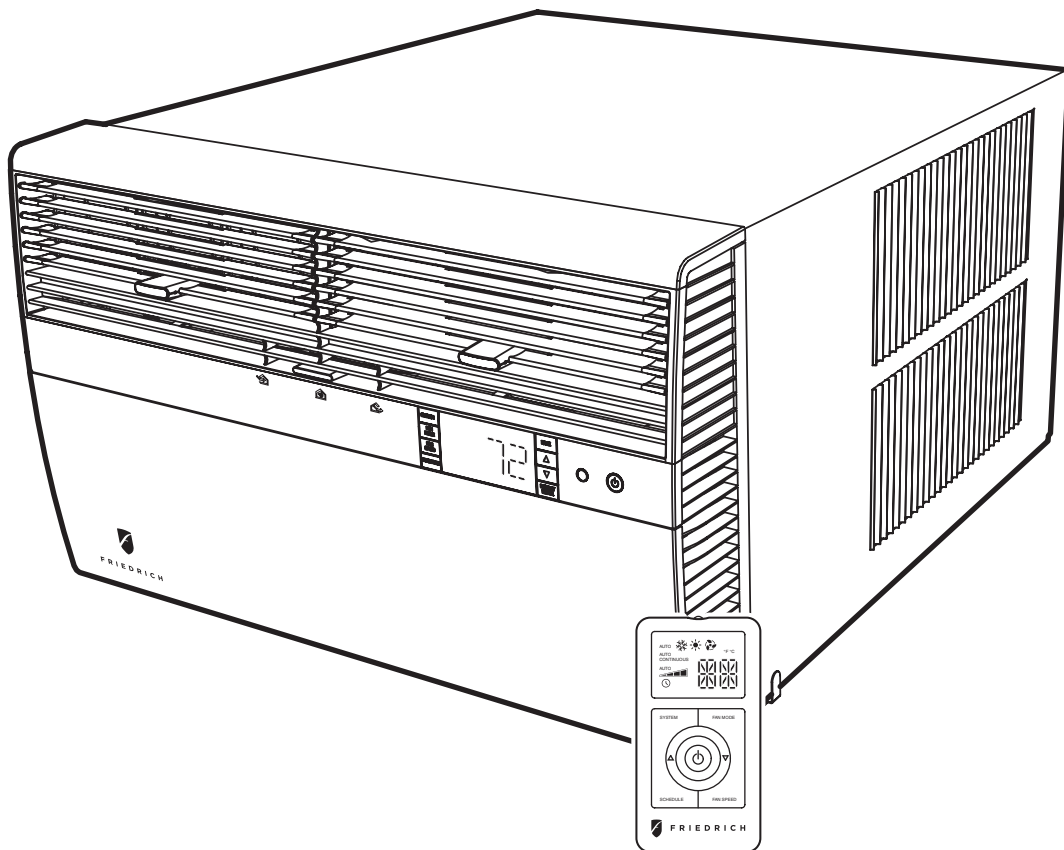
[Find Your FRIEDRICH Air Conditioner Parts - Select From 1575 Models](#)

----- Manual continues below -----



FRIEDRICH

2010 Room Air Conditioner Parts Manual – R-410A Models



Kühl + XStar®

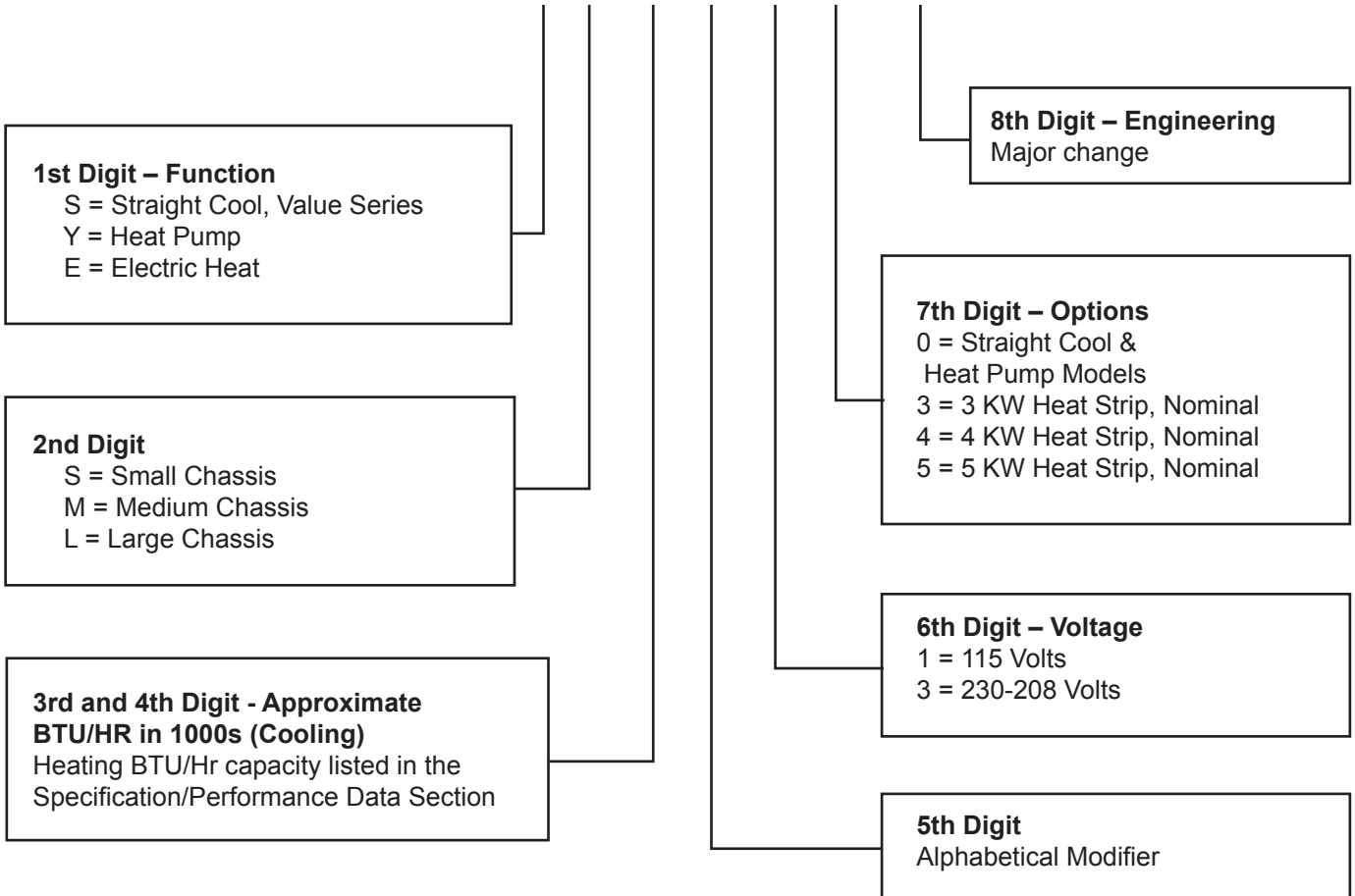
Table of Contents

Unit Identification	2
XStar® Unit Exploded Diagram	3
XStar® Sleeve Exploded Diagram	4
XStar® Parts List	5-6
Kühl Unit Exploded Diagram	7
Kühl Sleeve Exploded Diagram	8
Kühl Small Chassis Parts List	9-10
Kühl Medium Chassis Parts List	11-12
Kühl Large Chassis Parts List	13-14

UNIT IDENTIFICATION

Model Number Code

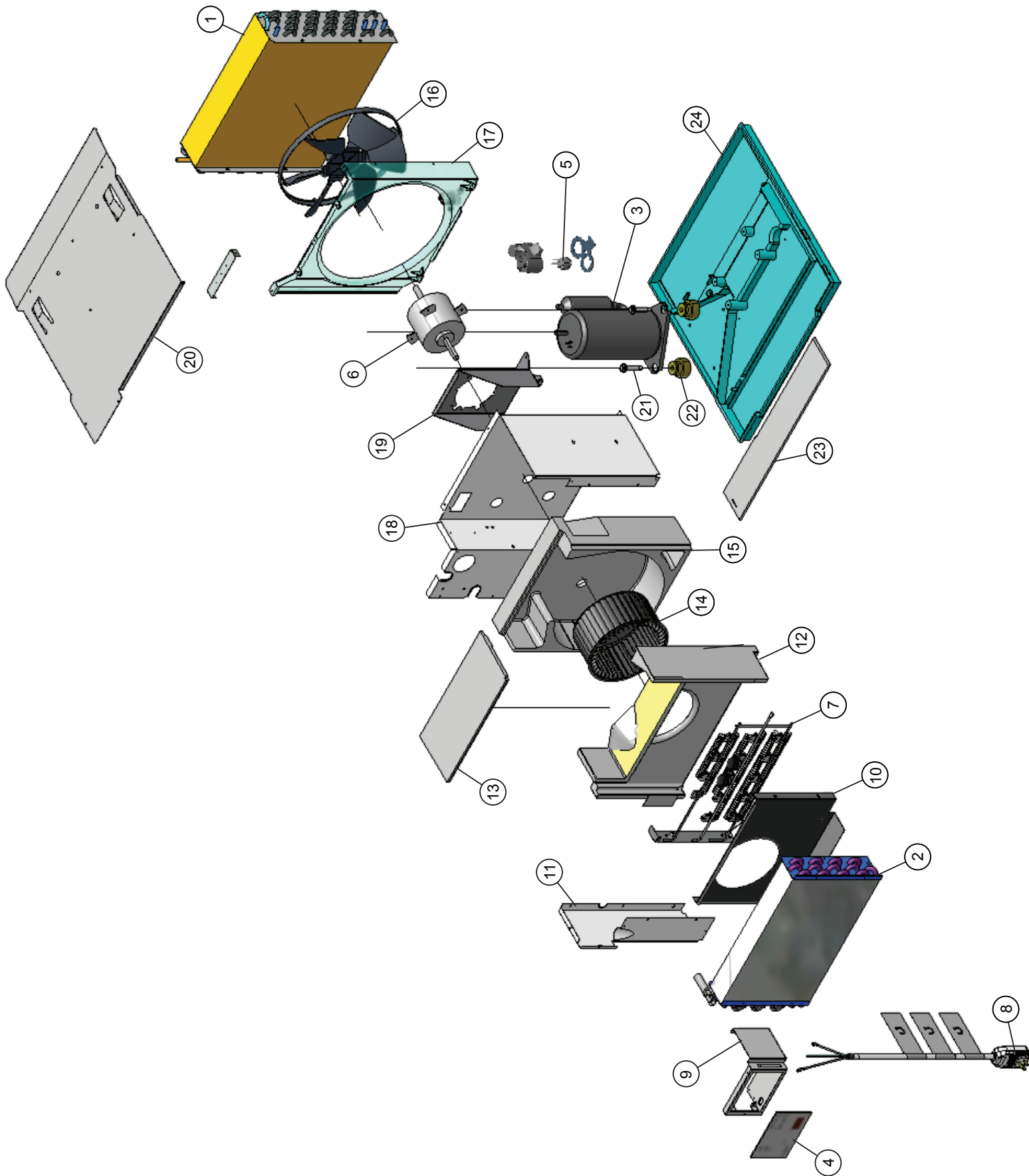
S S 08 M 1 0 A



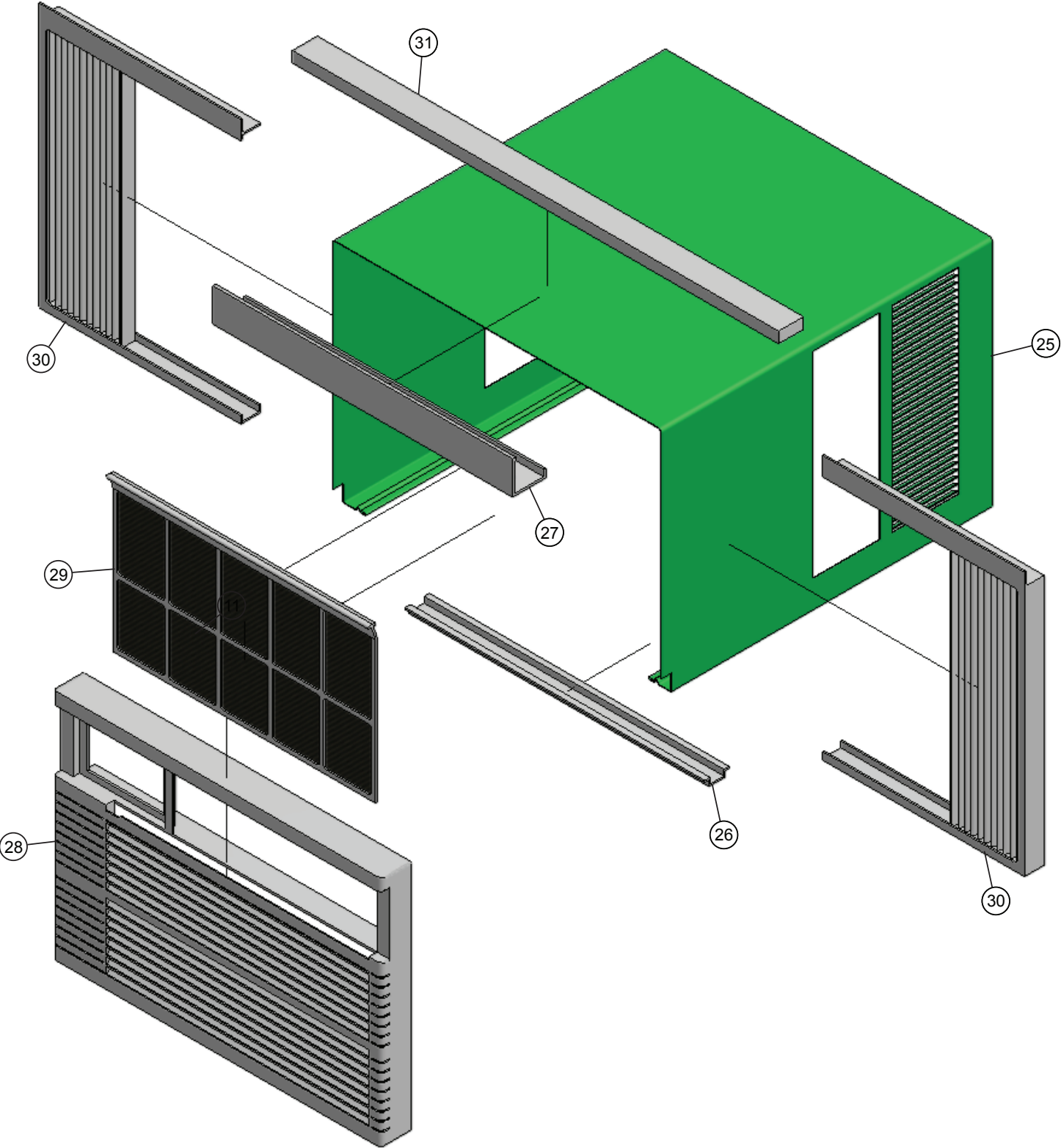
RAC Serial Number Identification Guide

Serial Number Decade Manufactured L=0 C=3 F=6 J=9 A=1 D=4 G=7 B=2 E=5 H=8	A	K	A	R	00001 Production Run Number
Year Manufactured A=1 D=4 G=7 K=0 B=2 E=5 H=8 C=3 F=6 J=9					Product Line R = RAC
Month Manufactured A=Jan D=Apr G=Jul K=Oct B=Feb E=May H=Aug L=Nov C=Mar F=Jun J=Sept M=Dec					

XStar® Unit Exploded Diagram



XStar® Sleeve Exploded Diagram



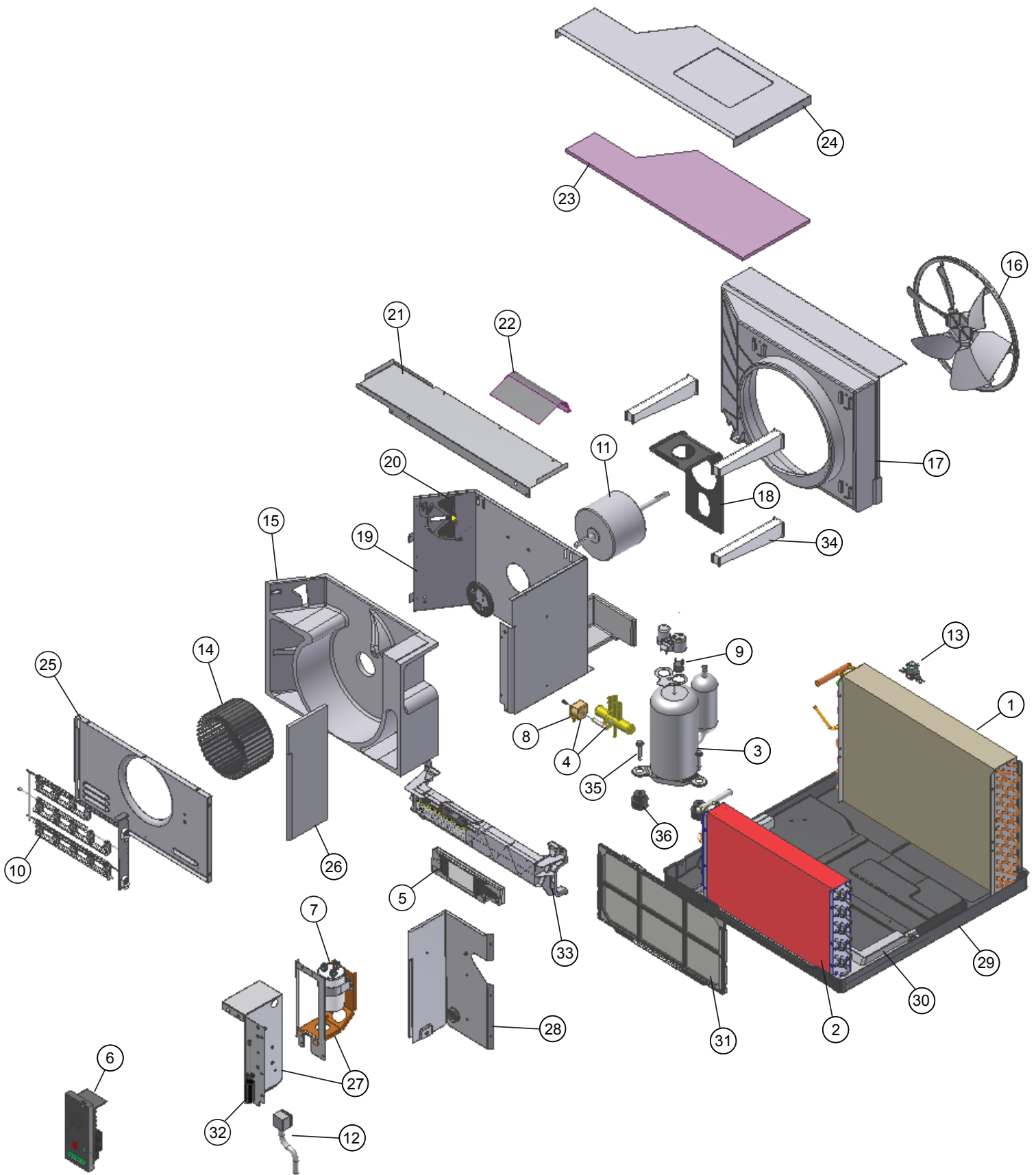
XStar® Parts List

REF NO.	PART NO.	DESCRIPTION	EQ08M11-A	EQ08M11-B	XQ05M10-A	XQ05M10-B	XQ06M10-A	XQ08M10-A	XQ08M10-B	XQ10M10-A
1	61896026	CONDENSER COIL	1	1	1	1	1	1	1	1
2	61600271	EVAPORATOR COIL					1			
2	62050024	EVAPORATOR COIL								1
2	62050026	EVAPORATOR COIL	1	1	1	1		1	1	
3	61717103	COMPRESSOR KIT			1					
3	61717101	COMPRESSOR KIT					1			
3	61717102	COMPRESSOR KIT	1					1		
3	61717105	COMPRESSOR KIT								1
3	61717104	COMPRESSOR KIT				1				
3	61717154	COMPRESSOR KIT		1					1	
*	03760502	CAPILLARY TUBE			1					
*	03760545	CAPILLARY TUBE				1			1	
*	03760548	CAPILLARY TUBE								1
*	03760550	CAPILLARY TUBE	1	1			1	1		
*	61828202	LIQUID DRIER	1	1	1	1	1	1	1	1
4	61921210	ELECTRONIC CONTROL BOARD			1	1	1	1	1	1
*	61826610	REMOTE CONTROL 2010 RAC & WM			1	1	1	1	1	1
*	60441610	SYSTEM SWITCH (ROTARY)	1	1						
*	61822401	THERMOSTAT	1	1						
*	61080528	CAPACITOR								1
*	61080530	CAPACITOR		1		1			1	
*	61080550	CAPACITOR			1		1			
*	61080580	CAPACITOR	1					1		
5	61764558	OVERLOAD	1					1		
5	61764559	OVERLOAD			1					
5	61764563	OVERLOAD					1			
5	61764596	OVERLOAD				1				
5	61764597	OVERLOAD		1					1	
5	61764598	OVERLOAD								1
6	61871451	FAN MOTOR	1	1	1	1	1	1	1	1
7	61929611	HEATER 1.15 KW @ 115V	1	1						
8	60500380	SUPPLY CORD	1	1	1	1	1	1	1	1
9	61923901	CONTROL MOUNTING BRACKET			1	1	1	1	1	1
10	61928801	PANEL BLWR FRONT EQ 2003	1	1						
11	61924300	LEFT SIDE PANEL	1	1	1	1	1	1	1	1
12	61990700	BLOWER FRONT			1	1	1	1	1	1
13	61990701	TOP BLOWER FRONT	1	1	1	1	1	1	1	1
14	60610606	BLOWER WHEEL, EVAPORATOR	1	1	1		1	1	1	
14	60610612	BLOWER WHEEL, EVAPORATOR				1				1
15	61990606	SCROLL Q CHASSIS	1	1	1	1	1	1	1	1
16	61634001	CONDENSER FAN BLADE	1	1	1	1	1	1	1	1
17	61627601	SHROUD	1	1	1	1	1	1	1	1
18	61597317	INNERWALL XQ			1	1	1	1	1	1
18	61597318	INNERWALL EQ	1	1						

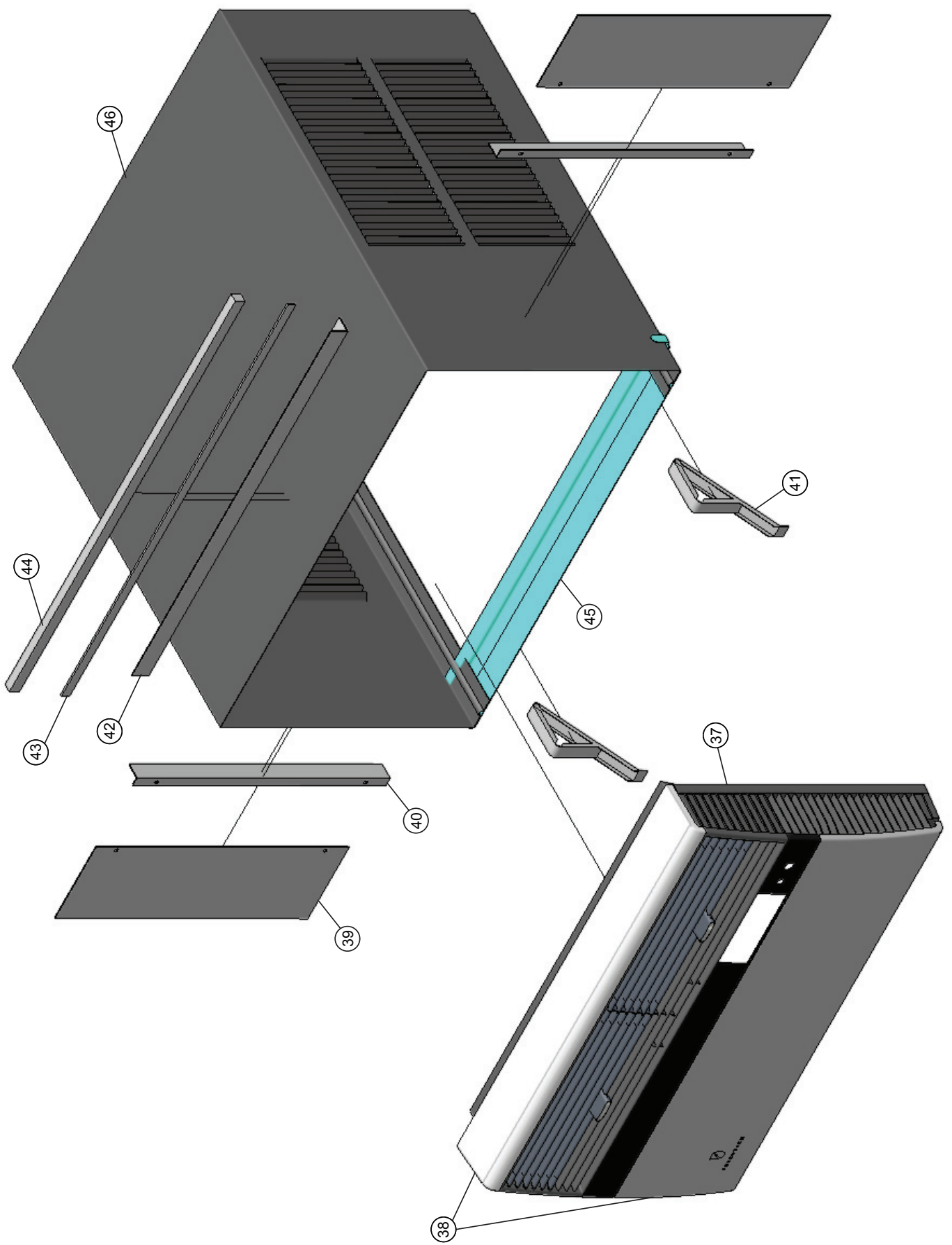
XStar® Parts List (Continued)

REF NO.	PART NO.	DESCRIPTION	EQ08M11-A	EQ08M11-B	XQ05M10-A	XQ05M10-B	XQ06M10-A	XQ08M10-A	XQ08M10-B	XQ10M10-A
19	61776903	MOTOR MOUNT	1	1	1	1	1	1	1	1
20	61619517	COVER TOP Q-CHASSIS VENTED	1	1	1	1	1	1	1	1
21	91400400	COMPRESSOR MOUNTING BOLT	3	3	3	3	3	3	3	3
22	61028900	COMPRESSOR GROMMET	3	3	3	3	3	3	3	3
23	61638400	DRAIN PAN	1	1	1	1	1	1	1	1
24	61626312	BASEPAN			1	1	1	1	1	
24	61626313	BASEPAN								1
24	61626314	BASEPAN	1	1						
25	61625813	SHELL ASY CHASSIS S/W Q VENTED	1	1	1	1	1	1	1	1
26	61627211	CHANNEL SILL Q CHASSIS	1	1	1	1	1	1	1	1
27	61627313	SUPPORT TOP BRACKET/CHANNEL Q			1	1	1	1	1	1
28	61637717	DECORATIVE FRONT	1	1	1	1	1	1	1	1
29	61632315	AIR FILTER	1	1	1	1	1	1	1	1
30	61680205	ASY CURTAIN AND FRAME Q			1	1	1	1	1	1
31	61717300	GASKET CHASSIS SEAL Q	1	1	1	1	1	1	1	1
*	61715800	COUNTER WEIGHT	6	6	3	3	3	3	6	2
*	61883101	ISOLATION PAD								1
*	61699801	DEFROST THERMOSTAT	1	1						
*	61699901	CLIP (FOR DEFROST THERMOSTAT)	1	1						
*	60179903	CONDENSATE VALVE	1	1						
*	61834800	STRAINER	1	1	1	1	1	1	1	1
*	61947500	DUCT DISCHARGE EQ	1	1						
*	61911605	CONTROL KNOBS	2	2						
*	60062720	CAPACITOR STRAP	1	1	1	1	1	1	1	1
*	61619405	DECK (EQ08)	1	1						
*	61990500	DECK, EVAP Q CHASSIS			1	1	1	1	1	1
*	60217902	SEAL FAN MOTOR TO INNER WALL	1	1	1	1	1	1	1	1
*	60301800	WIRE CLIP FASTEX	1	1	1	1	1	1	1	1
*	91500306	CLAMP COATED ROUND 14AWG	1	1	1	1	1	1	1	1
*	61619612	CONTROL MOUNTING BRACKET	1	1						
*	61715922	CONTROL DECORATIVE PLATE/PANEL	1	1						
*	25066200	WIRE INSULATOR STR-LG	3	3						
*	61900500	HOLDER T-STAT SENSOR	1	1						
*	61925001	HOLDER, THERMISTOR			1	1	1	1	1	1
*	61031040	GASKET	2	2	2	2	2	2	2	2
*	60169120	SCRIPT FRIEDRICH 2010 "FESTOON"	1	1	1	1	1	1	1	1
*	91002900	SPEEDNUT PUSH TYPE	3	3	3	2	3	3	3	3
*	61031049	GASKET,FOAM PLSTC PRESS/SENS			1	1	1	1	1	1
*	61778700	BAG ASY PLSTC SQ-KQ-XQ			1	1	1	1	1	1
*	61778701	BAG ASY PLSTC YQ & EQ08	1	1						
*	60073300	GASKET URETHANE FOAM			1	1	1	1	1	1
*	01900235	DC-2 DRAIN KIT								
*	01109003	TOUCH UP SPRAY PAINT (12 OZ.)								

Kühl Unit Exploded Diagram



Kühl Sleeve Exploded Diagram



Kühl Small Chassis Parts List

REF NO.	PART NO.	DESCRIPTION	ES12M33-A	ES12M33-B	ES15M33-A	SS08M10-A	SS10M10-A	SS10M10-B	SS12M10-A	SS12M30-A	SS12M30-B	SS14M10-A	SS15M30-A	YS10M10-A	YS12M33-A
1	61850323	CONDENSER COIL	1	1	1		1	1	1	1	1		1	1	1
1	61850340	CONDENSER COIL										1			
1	62050304	CONDENSER COIL				1									
2	61850110	EVAPORATOR COIL	1	1	1					1	1		1		
2	61850117	EVAPORATOR COIL												1	
2	61850118	EVAPORATOR COIL				1									
2	61850123	EVAPORATOR COIL										1			1
2	62050032	EVAPORATOR COIL					1	1	1						
3	61717102	COMPRESSOR KIT				1									
3	61717115	COMPRESSOR KIT	1							1					
3	61717120	COMPRESSOR KIT												1	
3	61717116	COMPRESSOR KIT													1
3	61717127	COMPRESSOR KIT					1	1							
3	61717126	COMPRESSOR KIT										1			
3	61717152	COMPRESSOR KIT							1						
3	61717164	COMPRESSOR KIT			1								1		
3	61717176	COMPRESSOR KIT		1							1				
4	25022032	REVERSING VALVE + SOLENOID KIT													1
4	25022022	REVERSING VALVE + SOLENOID KIT													1
*	61824405	CHECK VALVE												1	1
*	03760500	CAPILLARY TUBE													1
*	03760517	CAPILLARY TUBE													1
*	03760482	CAPILLARY TUBE				1									
*	03760548	CAPILLARY TUBE					1	1							
*	03760473	CAPILLARY TUBE							1						
*	03760479	CAPILLARY TUBE												1	
*	03760555	CAPILLARY TUBE												1	
*	03760520	CAPILLARY TUBE	1	1						1	1				
*	03760555	CAPILLARY TUBE										1			
*	03760511	CAPILLARY TUBE			1									1	
*	61828202	LIQUID DRIER	1	1	1	1	1	1	1	1	1	1	1		
*	61828204	SUCTION DRIER													1
5	62601006	ELECTRONIC CTRL USER INTERFACE KIT	1	1	1	1	1	1	1	1	1	1	1	1	1
6	62601000	ELECTRONIC CTRL (COOL ONLY KIT)				1	1	1	1	1	1	1	1		
6	62601003	ELECTRONIC CTRL (ELEC. HEAT + COOL KIT)	1	1	1										
6	62601002	ELECTRONIC CTRL (HEAT PUMP + ELEC. HEAT KIT)													1
6	62601004	ELECTRONIC CTRL (HEAT PUMP + COOL KIT)													1
*	62601007	THERMISTOR ASY FOR ELEC. CTRL.	1	1	1	1	1	1	1	1	1	1	1	1	1
*	62601005	REMOTE CONTROL KIT 2010	1	1	1	1	1	1	1	1	1	1	1	1	1
7	61080522	CAPACITOR		1							1				
7	61080529	CAPACITOR													1
7	61080532	CAPACITOR			1								1		
7	61080533	CAPACITOR													1
7	61080536	CAPACITOR	1							1					
7	61080559	CAPACITOR				1						1			
7	61080569	CAPACITOR							1						
7	61080582	CAPACITOR					1	1							
8	25063605	SOLENOID COIL													1
8	25063505	SOLENOID COIL													1
9	61717126	COMPRESSOR KIT										1			
9	61764558	OVERLOAD				1									
9	61764565	OVERLOAD	1							1					
9	61764566	OVERLOAD													1
9	61764583	OVERLOAD										1			
9	61764584	OVERLOAD							1						
9	61764585	OVERLOAD		1							1				
9	61764586	OVERLOAD			1								1		
9	61764589	OVERLOAD													1
9	61764594	OVERLOAD					1	1							
10	61878610	HEATER 3.3 KW @ 230V	1	1	1										1

Kühl Small Chassis Parts List (Continued)

REF NO.	PART NO.	DESCRIPTION	ES12M33-A	ES12M33-B	ES15M33-A	SS08M10-A	SS10M10-A	SS10M10-B	SS12M10-A	SS12M30-A	SS12M30-B	SS14M10-A	SS15M30-A	YS10M10-A	YS12M33-A
11	61871441	FAN MOTOR	1	1	1					1	1		1		1
11	61871444	FAN MOTOR				1	1	1	1			1		1	
12	60500390	SUPPLY CORD				1	1	1	1			1		1	
12	60500394	SUPPLY CORD								1	1		1		
12	60500398	SUPPLY CORD	1	1	1										1
13	60179903	BELLOWS CONDENSATE VALVE	1	1	1									1	1
14	60610603	BLOWER WHEEL, EVAPORATOR			1				1				1	1	1
14	60610604	BLOWER WHEEL, EVAPORATOR	1	1		1	1	1		1	1	1			
15	61914905	SCROLL SMALL	1	1	1	1	1	1	1	1	1	1	1	1	1
16	60542003	FAN BLADE, CONDENSER	1	1	1	1	1	1	1	1	1	1	1	1	1
17	61803601	SHROUD	1	1	1	1	1	1	1	1	1	1	1	1	1
18	61802500	MOTOR MOUNTING BRACKET	1	1	1	1	1	1	1	1	1	1	1	1	1
20	61907310	INNERWALL ASY SMALL	1	1	1	1	1	1	1	1	1	1	1	1	1
20	61821500	DOOR/SLIDE ASY	1	1	1	1	1	1	1	1	1	1	1	1	1
21	61817100	DECK	1	1	1	1	1	1	1	1	1	1	1	1	1
22	61820200	AIR FOIL	1	1	1	1	1	1	1	1	1	1	1	1	1
*	61816800	INSUL L/S AIR DECK	1	1	1	1	1	1	1	1	1	1	1	1	1
*	61816900	INSUL INNERWALL SMALL	1	1	1	1	1	1	1	1	1	1	1	1	1
25	61817300	BLOWER FRONT	1	1	1	1	1	1	1	1	1	1	1	1	1
27	61807255	PANEL CONTROL HOUSING SMALL	1	1	1	1	1	1	1	1	1	1	1	1	1
28	61802810	PARTITION ASY	1	1	1	1	1	1	1	1	1	1	1	1	1
*	61817000	INSULATION LEFT SIDE PANEL	1	1	1	1	1	1	1	1	1	1	1	1	1
*	61937200	LEFT SIDE PANEL	1	1	1	1	1	1	1	1	1	1	1	1	1
29	61803457	BASEPAN	1	1										1	
29	61803459	BASEPAN				1	1			1	1				
29	61803461	BASEPAN						1	1			1	1		
29	61803462	BASEPAN			1										1
30	61803800	DRAIN PAN	1	1	1	1	1	1	1	1	1	1	1	1	1
31	62400127	AIR FILTER ASY (SMALL)	1	1	1	1	1	1	1	1	1	1	1	1	1
32	62400134	NUT DRIVER FOR DECO FRONT	1	1	1	1	1	1	1	1	1	1	1	1	1
33	62400124	FRONT HANDLE / CONTROL MOUNT	1	1	1	1	1	1	1	1	1	1	1	1	1
34	61802600	BRACE SHROUD	3	3	3	3	3	3	3	3	3	3	3	3	3
35	91400400	COMPRESSOR MOUNTING BOLT	3	3	3	3	3	3	3	3	3	3	3	3	3
36	61028900	COMPRESSOR GROMMET	3	3	3	3	3	3	3	3	3	3	3	3	3
37	62400420	DECORATIVE FRONT ASY PKGD SMALL	1	1	1	1	1	1	1	1	1	1	1	1	1
38	PKWSILS	FILTER ACCESS PANEL (SILVER)	1	1	1	1	1	1	1	1	1	1	1	1	1
39	60294416	WINGBOARD				1	1	1	1	1	1	1	1		
40	61819816	SIDE ANGLE FOR WINGBOARD				2	2	2	2	1	2	2	2		
41	61109514	SUPPORT BRACKETS				2	2	2	2	1	2	2	2		
42	61819715	TOP ANGLE FOR WINGBOARD				1	1	1	1	1	1	1	1		
43	60610305	WINDOW SEAL GASKET				1	1	1	1	1	1	1	1		
44	61717302	CHASSIS SEAL GASKET	1	1	1	1	1	1	1	1	1	1	1	1	1
45	61808414	SILL PLATE	1	1	1	1	1	1	1	1	1	1	1	1	1
46	61825720	OUTER SHELL ASY SMALL	1	1	1	1	1	1	1	1	1	1	1	1	1
*	PKWIKS	WINDOW INSTALLATION KIT	1	1	1									1	1
*	61611700	REAR GRILLE MOUNTING BRACKET	1	1	1	1	1	1	1	1	1	1	1	1	1
*	61818520	PAINTED REAR GRILLE	1	1	1	1	1	1	1	1	1	1	1	1	1
*	60169120	SCRIPT FRIEDRICH FOR REAR GRILLE	1	1	1	1	1	1	1	1	1	1	1	1	1
*	91002900	PUSH NUT FOR FRIEDRICH SCRIPT	3	3	3	3	3	3	3	3	3	3	3	3	3
*	61818900	HEATER MOUNTING BRACKET	1	1	1										1
*	61812900	SHIELD BOTTOM S/M 3R	1	1	1										
*	61812901	SHIELD BOTTOM S/M 4R													1
*	61821800	SHIELD HEAT SMALL	1	1	1										1
*	61820700	CAPACITOR STRAP	1	1	1	1	1	1		1	1	1	1	1	1
*	61820702	CAPACITOR STRAP							1						
*	61814805	CONNECTOR FOR FRESH AIR	1	1	1	1	1	1	1	1	1	1	1	1	1
*	61819601	SHELL GUIDE (PLASTIC)	2	2	2	2	2	2	2	2	2	2	2	2	2
*	60846016	ASY PLSTC BAG W/WIK				1	1	1	1	1	1	1	1		
*	60846017	ASY PLSTC BAG W/O WIK	1	1	1									1	1
*	61715800	COUNTER WEIGHT	3	3	3	3	3	3	3	3	3	3	3		
*	01900236	DC-2 DRAIN KIT (SILVER)													
*	01109004	TOUCH UP SPRAY PAINT (SILVER)													

Kühl Medium Chassis Parts List

REF NO.	PART NO.	DESCRIPTION	EM18M34-A	EM24M34-A	SM18M30-A	SM21M30-A	SM24M30-A	YM18M34-A
1	61850227	CONDENSER COIL	1		1			1
1	61850228	CONDENSER COIL		1		1	1	
2	61850108	EVAPORATOR COIL	1		1	1		
2	62050030	EVAPORATOR COIL						1
2	62050034	EVAPORATOR COIL		1			1	
3	61717118	COMPRESSOR KIT				1		
3	61717119	COMPRESSOR KIT						1
3	61717131	COMPRESSOR KIT		1			1	
3	61717121	COMPRESSOR KIT	1		1			
4	25022032	REVERSING VALVE + SOLENOID KIT						1
*	61824405	CHECK VALVE						1
*	03760500	CAPILLARY TUBE						1
*	03760501	CAPILLARY TUBE						1
*	03760513	CAPILLARY TUBE	2		2			
*	03760545	CAPILLARY TUBE		3			3	
*	03760451	CAPILLARY TUBE				1		
*	61828202	LIQUID DRIER	1		1			
*	61828203	LIQUID DRIER		1		1	1	
*	61828204	SUCTION DRIER						1
5	62601006	ELECTRONIC CTRL USER INTERFACE KIT	1	1	1	1	1	1
6	62601000	ELECTRONIC CTRL (COOL ONLY KIT)			1	1	1	
6	62601003	ELECTRONIC CTRL (ELEC. HEAT + COOL KIT)	1	1				
6	62601002	ELECTRONIC CTRL (HEAT PUMP + ELEC. HEAT KIT)						1
*	62601007	THERMISTOR ASY FOR ELEC. CTRL.	1	1	1	1	1	1
*	62601005	REMOTE CONTROL KIT 2010	1	1	1	1	1	1
7	61080529	CAPACITOR	1		1			1
7	61080557	CAPACITOR		1			1	
7	61080570	CAPACITOR				1		
8	25063605	SOLENOID COIL						1
10	61878611	HEATER 4.0 KW @ 230V	1	1				1
11	61871432	FAN MOTOR	1	1	1	1	1	1
12	60500394	SUPPLY CORD			1	1		
12	60500398	SUPPLY CORD					1	
12	60500399	SUPPLY CORD	1	1				1
13	60179903	BELLOWS CONDENSATE VALVE	1	1				1
14	60610616	BLOWER WHEEL, EVAPORATOR	1		1			
14	60610617	BLOWER WHEEL, EVAPORATOR				1		1
14	60610618	BLOWER WHEEL, EVAPORATOR		1			1	
15	61817505	SCROLL MEDIUM	1	1	1	1	1	1
16	60542004	FAN BLADE, CONDENSER	1	1	1	1	1	1
17	61804901	SHROUD	1	1	1	1	1	1
18	61804100	MOTOR MOUNTING BRACKET	1	1	1	1	1	1
20	61907210	INNERWALL ASY MEDIUM	1	1	1	1	1	1
20	61821500	DOOR/SLIDE ASY	1	1	1	1	1	1

Kühl Medium Chassis Parts List (Continued)

REF NO.	PART NO.	DESCRIPTION	EM18M34-A	EM24M34-A	SM18M30-A	SM21M30-A	SM24M30-A	YM18M34-A
21	61817100	DECK	1	1	1	1	1	1
22	61820200	AIRFOIL	1	1	1	1	1	1
25	61817400	BLOWER FRONT	1	1	1	1	1	1
27	61807256	PANEL CONTROL HOUSING MED	1	1	1	1	1	1
28	61804310	PARTITION ASY	1	1	1	1	1	1
29	61803461	BASEPAN			1	1	1	
29	61803462	BASEPAN	1	1				1
30	61803800	DRAINPAN	1	1	1	1	1	1
31	62400210	STANDARD FILTER ASY (MED)	1	1	1	1	1	1
32	62400134	NUT DRIVER FOR DECO FRONT	1	1	1	1	1	1
33	62400124	FRONT HANDLE / CONTROL MOUNT	1	1	1	1	1	1
34	61802600	BRACE SHROUD	3	3	3	3	3	3
35	91400400	COMPRESSOR MOUNTING BOLT	3	3	3	3	3	3
36	61028900	COMPRESSOR GROMMET	3	3	3	3	3	3
37	62400421	DECORATIVE FRONT (COMPLETE)	1	1	1	1	1	1
38	PKWSILM	FILTER ACCESS PANEL (SILVER)	1	1	1	1	1	1
39	60294421	WINGBOARD			1	1	1	
40	61819817	SIDE ANGLE FOR WINGBOARD			2	2	2	
41	61109514	SUPPORT BRACKETS			2	2	2	
42	61819715	TOP ANGLE FOR WINGBOARD			1	1	1	
43	60610305	WINDOW SEAL GASKET			1	1	1	
44	61717302	CHASSIS SEAL GASKET	1	1	1	1	1	1
45	61808414	SILL PLATE	1	1	1	1	1	1
46	61825721	OUTER SHELL ASY MEDIUM	1	1	1	1	1	1
*	61715800	COUNTER WEIGHT	2	2	2	2	2	2
*	61816800	INSUL L/S AIR DECK	1	1	1	1	1	1
*	61816901	INSUL INNERWALL MEDIUM	1	1	1	1	1	1
*	61817001	INSULATION LEFT SIDE PANEL	1	1	1	1	1	1
*	61937100	LEFT SIDE PANEL	1	1	1	1	1	1
*	PKWIKM	WINDOW INSTALLATION KIT	1	1				1
*	61611701	REAR GRILLE MOUNTING BRACKET	1	1	1	1	1	1
*	61818521	PAINTED REAR GRILLE	1	1	1	1	1	1
*	60169120	SCRIPT FRIEDRICH FOR REAR GRILLE	1	1	1	1	1	1
*	91002900	PUSH NUT FOR FRIEDRICH SCRIPT	3	3	3	3	3	3
*	61818900	HEATER MOUNTING BRACKET	1	1				1
*	61812900	SHIELD BOTTOM S/M 3R		1				1
*	61812901	SHIELD BOTTOM S/M 4R	1					
*	61821801	SHIELD HEAT MED	1	1				1
*	61820700	CAPACITOR STRAP	1	1	1	1	1	1
*	61814805	CONNECTOR FOR FRESH AIR	1	1	1	1	1	1
*	61819601	SHELL GUIDE (PLASTIC)	2	2	2	2	2	2
*	60846016	ASY PLSTC BAG W/WIK			1	1	1	
*	60846017	ASY PLSTC BAG W/O WIK	1	1				1
*	01900236	DC-2 DRAIN KIT (SILVER)						
*	01109004	TOUCH UP SPRAY PAINT (SILVER)						

Kühl Large Chassis Parts List

REF NO.	PART NO.	DESCRIPTION	EL36M35-A	SL28M30-A	SL28M30-B	SL36M30-A	YL24M35-A
1	61850235	CONDENSER COIL	1			1	
1	61850238	CONDENSER COIL					1
1	62050221	CONDENSER COIL		1	1		
2	61896305	EVAPORATOR COIL	1			1	
2	62050004	EVAPORATOR COIL			1		1
2	62050031	EVAPORATOR COIL		1			
3	61717131	COMPRESSOR KIT					1
3	61717130	COMPRESSOR KIT		1	1		
3	61717132	COMPRESSOR KIT	1			1	
4	25022032	REVERSING VALVE + SOLENOID KIT					1
*	61824405	CHECK VALVE					1
*	03760511	CAPILLARY TUBE	2			2	
*	01390595	CAPILLARY TUBE	2			2	
*	01390000	CAPILLARY TUBE					1
*	03760482	CAPILLARY TUBE					1
*	03760473	CAPILLARY TUBE		1	1		
*	61828203	LIQUID DRIER	1	1	1	1	
*	61828204	SUCTION DRIER					1
5	62601006	ELECTRONIC CTRL USER INTERFACE KIT	1	1	1	1	1
6	62601000	ELECTRONIC CTRL (COOL ONLY KIT)		1	1	1	
6	62601003	ELECTRONIC CTRL (ELEC. HEAT + COOL KIT)	1				
6	62601002	ELECTRONIC CTRL (HEAT PUMP + ELEC. HEAT KIT)					1
*	62601005	REMOTE CONTROL KIT 2010	1	1	1	1	1
*	62601007	THERMISTOR ASY FOR ELEC. CTRL.	1	1	1	1	1
7	61080515	CAPACITOR					1
7	61080516	CAPACITOR		1	1		
7	61080517	CAPACITOR	1			1	
8	25063605	SOLENOID COIL					1
10	61878612	HEATER 5.2 KW @ 230V	1				1
11	61871446	FAN MOTOR	1			1	
11	61871447	FAN MOTOR		1	1		1
12	60500398	SUPPLY CORD		1	1		
12	60500399	SUPPLY CORD	1			1	1
13	60179903	BELLOWS CONDENSATE VALVE	1				1
14	60610619	BLOWER WHEEL, EVAPORATOR	1			1	
14	60610620	BLOWER WHEEL, EVAPORATOR		1	1		1
15	61818100	SCROLL LARGE	1	1	1	1	1
16	60542007	FAN BLADE, CONDENSER	1	1	1	1	1
17	61807702	SHROUD	1	1	1	1	1
18	61806700	MOTOR MOUNTING BRACKET	1	1	1	1	1
20	61907110	INNERWALL ASY LRG	1	1	1	1	1
20	61821500	DOOR/SLIDE ASY S/M/L	1	1	1	1	1
21	61818000	DECK LRG	1	1	1	1	1
22	61820201	AIRFOIL	1	1	1	1	1

Kühl Large Chassis Parts List (Continued)

REF NO.	PART NO.	DESCRIPTION	EL36M35-A	SL28M30-A	SL28M30-B	SL36M30-A	YL24M35-A
25	61817800	BLOWER FRONT	1	1	1	1	1
27	61807257	CONTROL PANEL HOUSING	1	1	1	1	1
28	61807010	PARTITION ASY	1	1	1	1	1
29	61809515	BASEPAN				1	
29	61809516	BASEPAN	1				
29	61809517	BASEPAN		1	1		
29	61809518	BASEPAN					1
30	61807400	DRAINPAN	1	1	1	1	1
31	62400321	STANDARD FILTER ASY LRG	1	1	1	1	1
32	62400134	NUT DRIVER FOR DECO FRONT	1	1	1	1	1
33	62400318	FRONT HANDLE / CONTROL MOUNT	1	1	1	1	1
34	61810000	BRACE SHROUD, LARGE	3	3	3	3	3
35	91400400	COMPRESSOR MOUNTING BOLT	3	3	3	3	3
36	01150934	COMPRESSOR GROMMET	3	3	3	3	3
37	62400422	DECORATIVE FRONT ASSY PKGD LRG	1	1	1	1	1
38	PKWSILL	FILTER ACCESS PANEL (SILVER)	1	1	1	1	1
39	60294426	WINGBOARD		1	1	1	
40	61819818	SIDE ANGLE FOR WINGBOARD		2	2	2	
41	61109514	SUPPORT BRACKETS		2	2	2	
42	61819717	TOP ANGLE FOR WINGBOARD		1	1	1	
43	60610305	WINDOW SEAL GASKET		1	1	1	
44	61717302	CHASSIS SEAL GASKET	1	1	1	1	1
45	61808415	SILL PLATE	1	1	1	1	1
46	61825722	OUTER SHELL LRG	1	1	1	1	1
*	61715800	COUNTER WEIGHT	2	2	2	2	
*	61818300	INSUL L/S AIR DECK	1	1	1	1	1
*	61816902	INSUL INNERWALL, LRG	1	1	1	1	1
*	61817600	INSULATION LEFT SIDE PANEL	1	1	1	1	1
*	61937000	LEFT SIDE PANEL	1	1	1	1	1
*	PKWIKL	WINDOW INSTALLATION KIT	1				1
*	61611702	REAR GRILLE MOUNTING BRACKET	1	1	1	1	1
*	61818522	PAINTED REAR GRILLE	1	1	1	1	1
*	60169120	SCRIPT FRIEDRICH FOR REAR GRILLE	1	1	1	1	1
*	91002900	PUSH NUT FOR FRIEDRICH SCRIPT	3	3	3	3	3
*	61818900	HEATER MOUNTING BRACKET	1				1
*	61813501	SHIELD BOTTOM LRG 4R	1				1
*	61821900	SHIELD HEAT LRG	1				1
*	61820702	CAPACITOR STRAP	1	1	1	1	1
*	61814806	CONNECTOR FOR FRESH AIR	1	1	1	1	1
*	61819601	SHELL GUIDE (PLASTIC)	2	2	2	2	2
*	60846016	ASY PLSTC BAG W/WIK		1	1	1	
*	60846017	ASY PLSTC BAG W/O WIK	1				1
*	01900236	DC-2 DRAIN KIT (SILVER)					
*	01109004	TOUCH UP SPRAY PAINT (SILVER)					

TECHNICAL SUPPORT CONTACT INFORMATION



F R I E D R I C H

FRIEDRICH AIR CONDITIONING CO.

Post Office Box 1540 · San Antonio, Texas 78295-1540

4200 N. Pan Am Expressway · San Antonio, Texas 78218-5212

(210) 357-4400 · 877-599-5665 x 846 · FAX (210) 357-4490

Email: tac@friedrich.com

www.friedrich.com

Printed in the U.S.A.