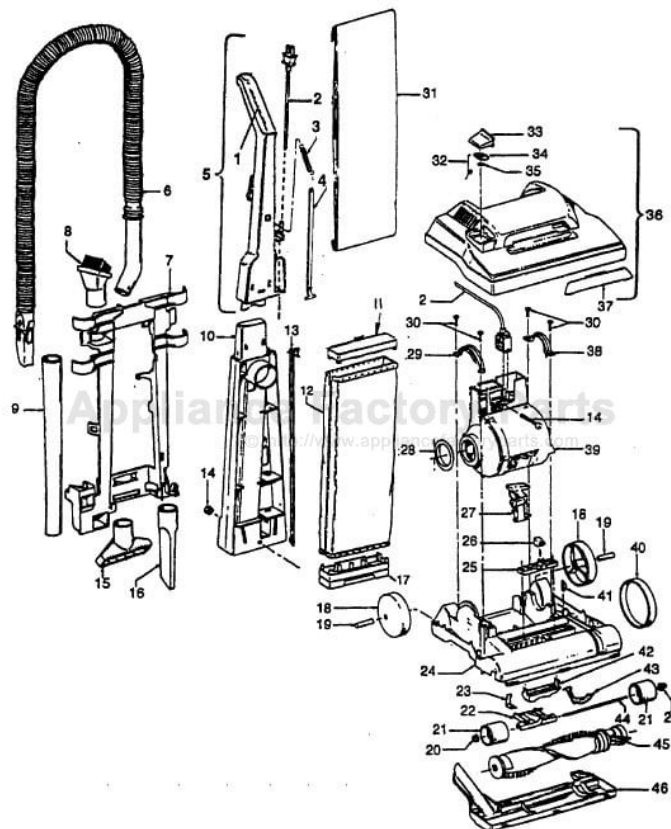


This Owner's Manual is provided and hosted by [Appliance Factory Parts](#).



HOOVER U4299-980 Owner's Manual

[Shop genuine replacement parts for HOOVER
U4299-980](#)



[Find Your HOOVER Vacuum Cleaner Parts - Select From 1456 Models](#)

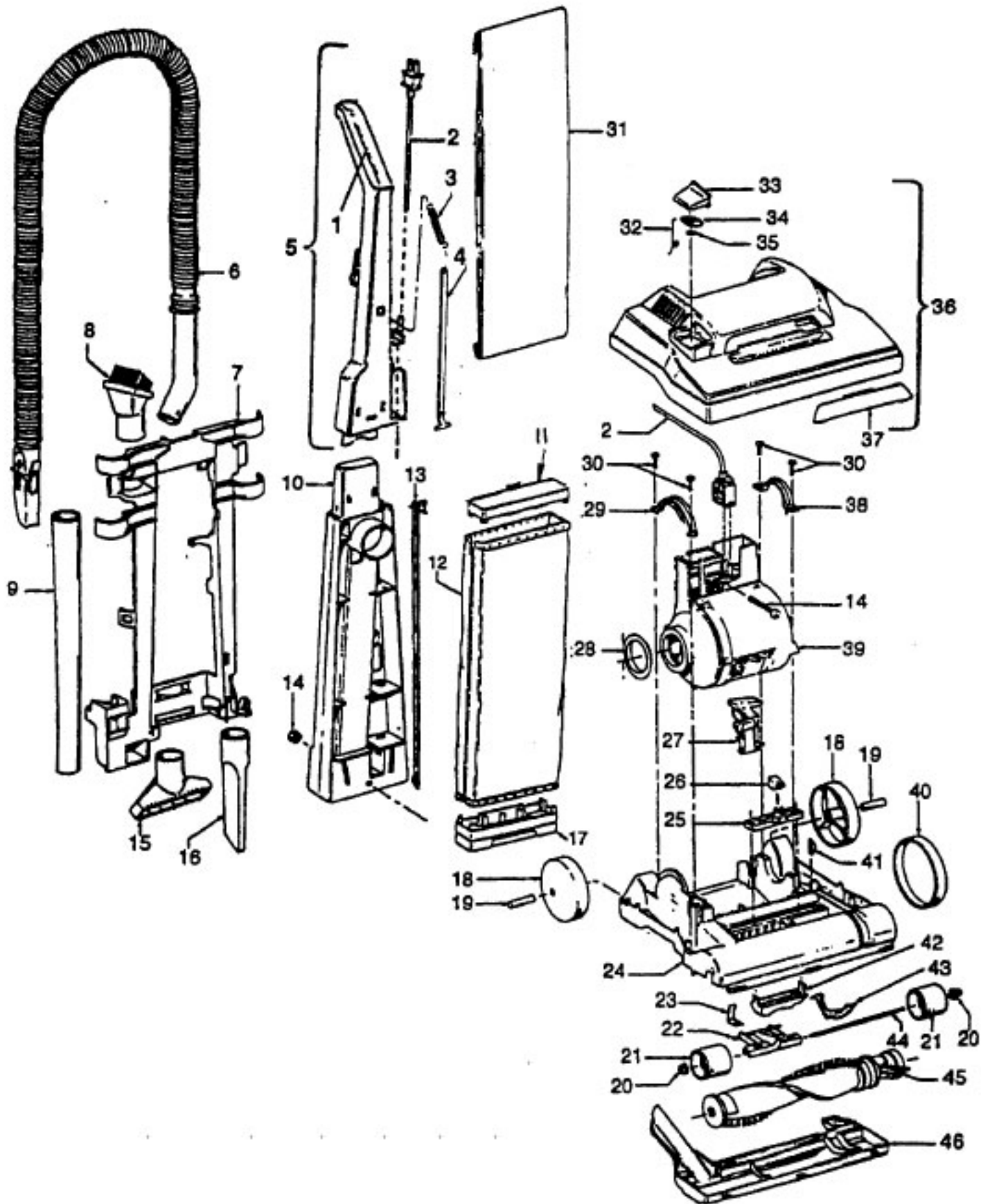
----- Manual continues below part list -----

Available Replacement Parts for HOOVER U4299-980

| | |
|----------------------------|---------------------------------|
| H-38528040 | BELT VACUUM HOOVER OEM (1 PACK) |
| 48414036 | HOOVER ELITE BRUSH ROLLER |
| H-4010001A | VACUUM BAG OEM HOOVER 3 PACK |
| K-109289 | BULB |

Elite II Style

Model U4256-900, U4264-930, U4266-930, U4266-940,
U4266-960, U4268-930, U4272-930, U4293-930, U4295-930,
U4299-930, * U4299-980

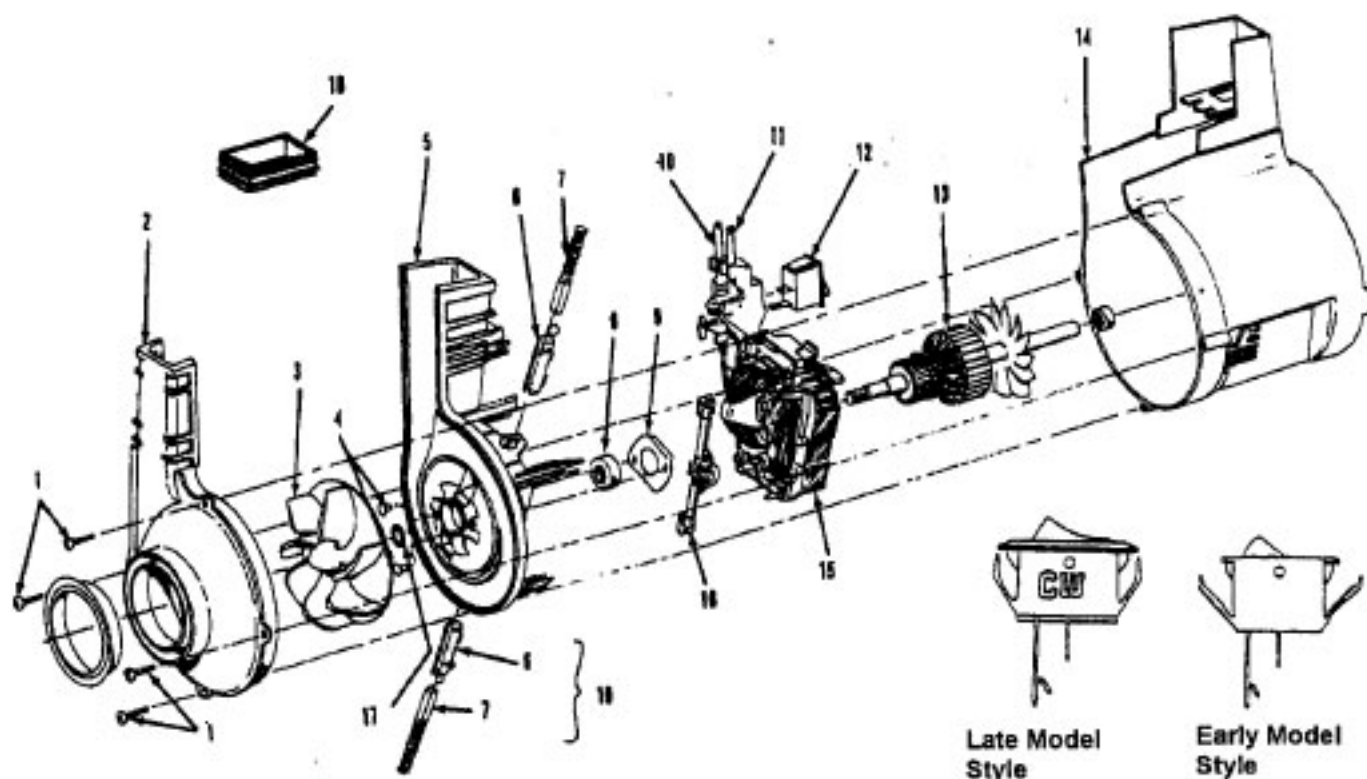


Elite II Style

**Model U4256-900, U4264-930, U4266-930, U4266-940,
U4266-960, U4268-930, U4272-930, U4293-930, U4295-930,
U4299-930, * U4299-980**

| Ref. No. | Part No. | Description | Ref. No. | Part No. | Description |
|----------|----------------------|-----------------------------------------------------------------------------------------------------|--------------------|----------------------------------------------------------|--------------------------------------------------------------------------------------------------------------------------------------------------------------------------------|
| 1 | 39458057 37911079 | Handle Grip - ABE Handle Cap - U4264-930, U4266-930, U4268-930, U4272-930 | | 37257253 37257259 | Door Assem. - ABM - U4264-930 Door - ADA - U4256-900 |
| 2 | 46388027 46388043 | Attach Cord - AG - 35 Ft. Attach Cord - AG - 30 Ft - 12 Amp | 34 | 38785013 | Seal |
| 3 | 38335020 | Bag Strap Spring | 35 | 21362006 | Speed Nut |
| 4 | 36425072 | Bag Strap - ABE | 36 | 42252381 42252A38 | Hood Assem. - ABM - U4293-930 Hood Assem. - AG - U4272-900, U4299-930, U4299-980, U4295-930 |
| 5 | 48663152 | Upper Handle Assem. - ABE - U4266-960 | | 42252A74 42252A84 42252A86 42252B17 42252B37 | Hood Assem. - AAY - U4266-930 Hood Assem. - ABM - U4264-930 Hood Assem. - AAY - U4268-930 Hood Assem. - ADA - U4256-900 Hood Assem. - AAY - U4266-940 U4266-960 |
| | 48663141 | Upper Handle Assem. - U4264-930, U4266-930, U4268-930, U4272-930 | | | |
| 6 | 43434237 | Hose Assem. - ABX/AG | 37 | 39383098 | Lens |
| 7 | 36433110 36433098 | Tool Rack - ABE Tool Rack - U4264-930, U4266-930, U4268-930 | | 39383099 | Lens - U4266-930, U4264-930 |
| 8 | 43414145 | Dusting Brush Assem. - AG | 38 | 36131090 | Motor Retainer Cap - L.H. - ABE |
| 9 | 38634078 | Extension Tube - AG | | 36131095 | Motor Retainer Cap- Metal U4256-900 |
| 10 | 39464005 | Lower Handle - ABE | 39 | 43576142 | Motor (P-202) |
| 11 | 36425064 | Jacket Support Upper - ABE | | 43576141 | Motor (P-201) U4268-930 |
| 12 | 43686192 | Outer Jacket - ABM | | 43576199 | Motor 12 Amp (P-364) U4256-900, U4266-940, U4266-960 |
| | 43686202 | Outer Jacket - U4299-930, U4299-980 | 40 | 38528027 | Belt |
| | 43686207 | Outer Jacket - U4295-930 | | 38528040 | Belt - 12 Amp |
| | 43686213 | Outer Jacket - U4272-930 | 41 | 13261AY | Rug Nozzle Rib Shoe |
| | 43686223 | Outer Jacket - U4266-930, U4268-930 | 42 | 38563011 | Nozzle Height Adj. Cam |
| | 43686229 | Outer Jacket - U4264-930 | 43 | 38452089 | Lever (Use wheel assem. 43248059) |
| | 43686239 | Outer Jacket - U4256-900 | 44 | 32563012 | Wheel Shaft (Use 43248059) |
| | 43686240 | Outer Jacket - U4266-940, U4266-960 | 45 | 48414079 | Agitator Comp. - (P-203) |
| 13 | 38456036 | Switch Control Rod - ABB | 46 | 37245017 | Bottom Plate - U4256-900 |
| 14 | 40201085 | Nut & Bolt | | 37245108 | Bottom Plate U4268-930, U4295-930, U4272-930 |
| 15 | 38614029 | Furniture Nozzle - AG | | | |
| 16 | 38617024 | Crevice Tool - AG | | | |
| 17 | 36425063 | Jacket Support Lower - ABE | | | |
| 18 | 38522011 | Rear Wheel - AG | Items | Not Illustrated | |
| 19 | 31523012 | Rear Wheel Shaft | | | |
| 20 | 36131056 | Wheel Retainer | | 3944201P | Cord Wrap (on upper handle) |
| 21 | N/A | Wheel - AG (Use 43248059) | | 27313101 | Dirt Finder Lamp - All models except U4268-930 |
| 22 | 43248059 | Front Wheel Assem. (Incl. It. 21, 43, 44) | | 34123056 | Gasket (Main Body- 12 Amp models) |
| 23 | 34572002 | Cam Actuator Spring | | | |
| 24 | 42243001 | Main Body Assembly - (Incl. Items 18, 19, 27, 41) | | | |
| | 42243002 | Main Body Assembly - U4264-930, U4266-930, U4268-930, U4256-900 -(Incl. Items 18, 19, 27, 41) | Packaging Material | | |
| | | | | 56511A01 | Owner Manual |
| | | | | 56511A33 | Owner Manual - U4266-930, U4268-930, U4272-930, U4264-930 |
| 25 | 38567008 | Cam Actuator | | 56511B17 | Owners Manual - U4256-900, U4266-960 |
| 26 | 38421070 | Indicator Knob - ABE | | 56511B24 | Owners Manual - U4266-940 |
| 27 | 38458022 | Handle Release Lever - ABE | | 58346004 | Front Support |
| 28 | 38784016 | Seal | | 58347019 | Cleaning Tool Carton - U4264-930 |
| 29 | 36131057 | Motor Retainer Cap - R.H. - | | 58347022 | Cleaning Tool Carton |
| 30 | 21447217 | Screw | | 58353009 | Rear Support |
| 31 | 4010001A | Throw Away Bag (3 Pack) | | 58185184 | Carton - Common - Plain Brown |
| 32 | 38351013 | Spring | | | |
| 33 | 37257022 | Door Assem. - ABM - U4293-930 | | | |
| | 37257027 | Door Assem. - AAY - U4299-930 U4299-980, U4295-930, U4266-940 U4266-960 | | | |
| | 37257143 | Door Assem. - AG - U4266-930, U4272-930 | | | |

* Model U4299-980 is the same as model U4299-930 which includes a model S1103.



| Ref. No. | Part No. | Description |
|----------|----------|----------------------------------------------|
| | 43576142 | Motor Assem. Comp. |
| | 43576181 | Motor Assem. Comp. (Replaced by 43576204) |
| 1 | 214793DA | Screw-Self Tapping (4) |
| 2 | 38736033 | Fan Chamber |
| 3 | 38755030 | Fan |
| 4 | N/A | Rivet - Semi Tubular (2) |
| 5 | N/A | Motor Housing Assem. |
| 6 | N/A | Motor Brush Holder (2) |
| 7 | N/A | Motor Brush Assem. (2) |
| 8 | N/A | Bearing |
| 9 | N/A | Bearing Retainer |
| 10 | 36914004 | Switch Bus Bar |
| 11 | 39116005 | Attachment Terminal |
| 12 | 28218043 | Switch Assem. - Early Models (Prior to 5/96) |
| | 28161062 | Switch Assem. - Late Models (After 5/96) |
| 13 | N/A | Armature/Bearing Assem. |
| 14 | 37194046 | Motor End Cap Assem. - MW |
| 15 | N/A | Field Assem. |
| 16 | N/A | Lamp Holder Assem. |
| 17 | 21312793 | Washer |
| 18 | 38783020 | Duct Seal |
| 19 | 41311016 | Motor Brush Holder Assem. |

ITEMS NOT ILLUSTRATED

| | |
|----------|--------------------------------------------------------------------------------------------|
| 38781013 | Duct Seal (8 1/2" Long adhesive backed foam seal used on early models in place of item 18) |
| 54821001 | Tape (Roll) |