

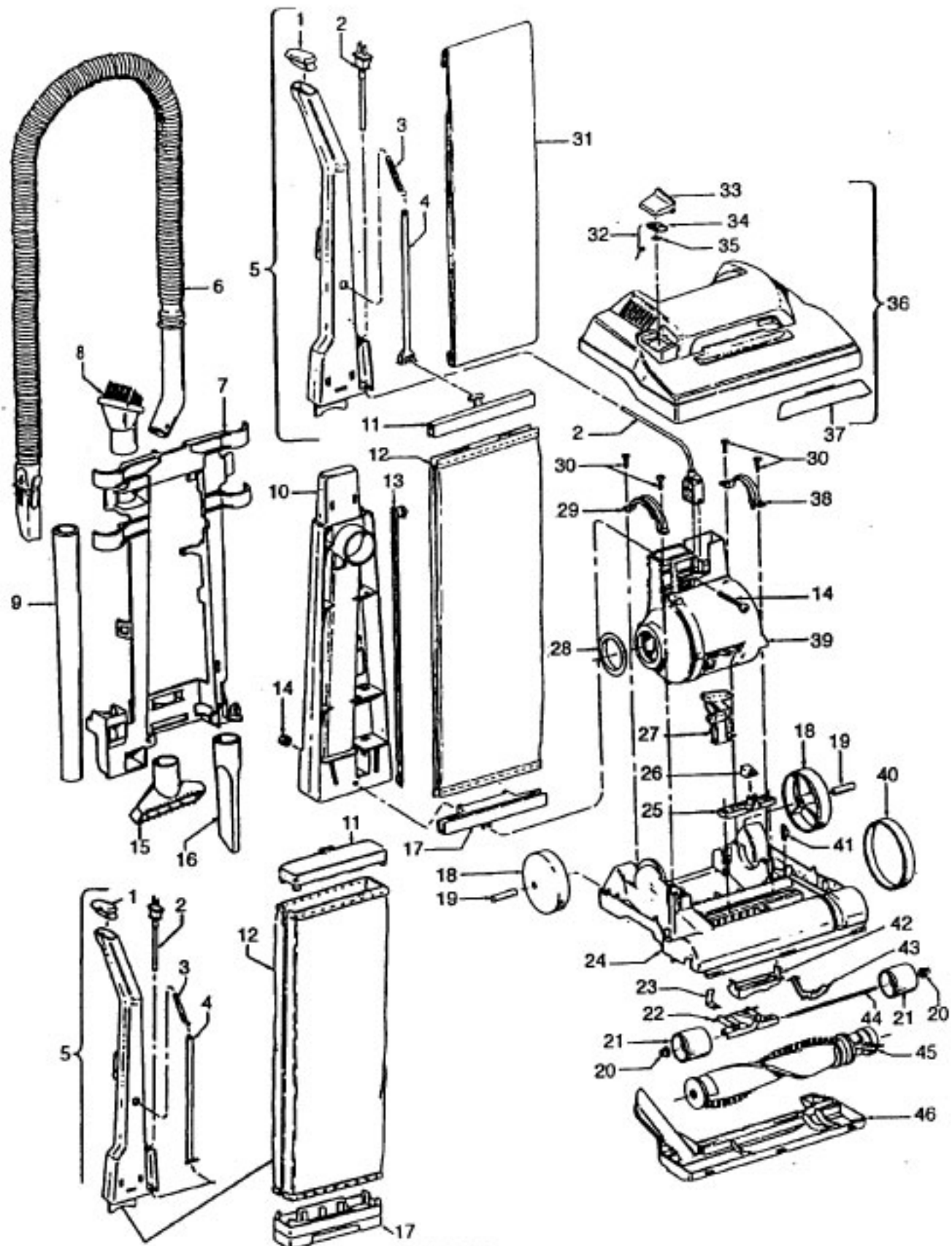
Available Replacement Parts for HOOVER U4645-930

| | |
|----------------------------|---------------------------------|
| H-38528040 | BELT VACUUM HOOVER OEM (1 PACK) |
| 48414036 | HOOVER ELITE BRUSH ROLLER |
| H-4010001A | VACUUM BAG OEM HOOVER 3 PACK |
| H-43267002 | AGITATOR BEARING ASM |

Elite II

Sprint
TurboPOWER

Models U4261-910, U4261-930, U4261-940, U4261-980 *,
U4261-990 **, U4263-930, U4265-910, U4265-930,
U4267-930, U4269-930, U4271-930***, U4271-980****
Model U4259-930
Model U4645-930



USED ON MODELS U4263-930, U4269-930
U4259-930, U4271-930, U4645-930

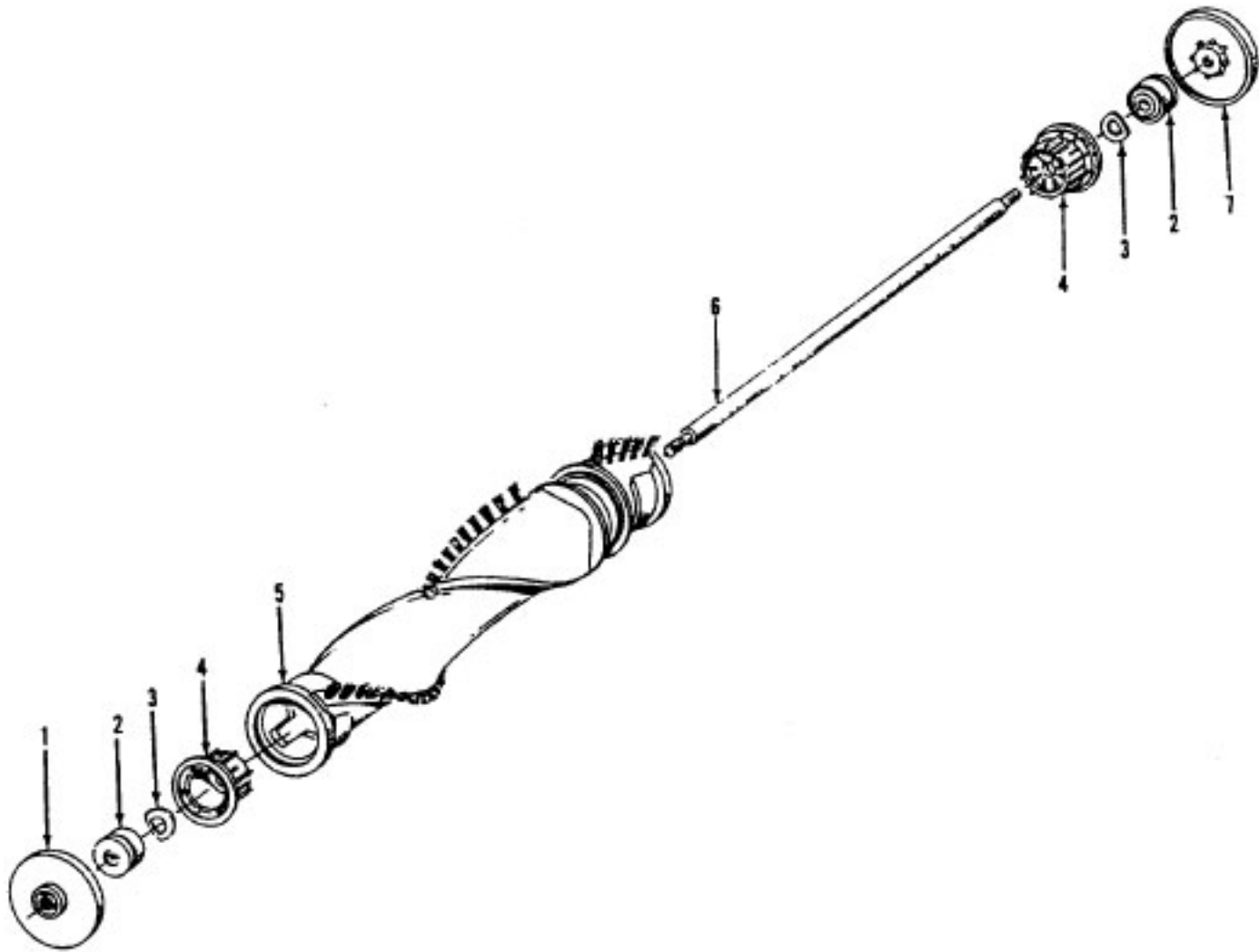
Elite II

Models U4261-910, U4261-930, U4261-940, U4261-980 *, U4261-990 **,
U4263-930, U4265-910, U4265-930, U4267-930, U4269-930, U4271-930 ***,
U4271-980 ****

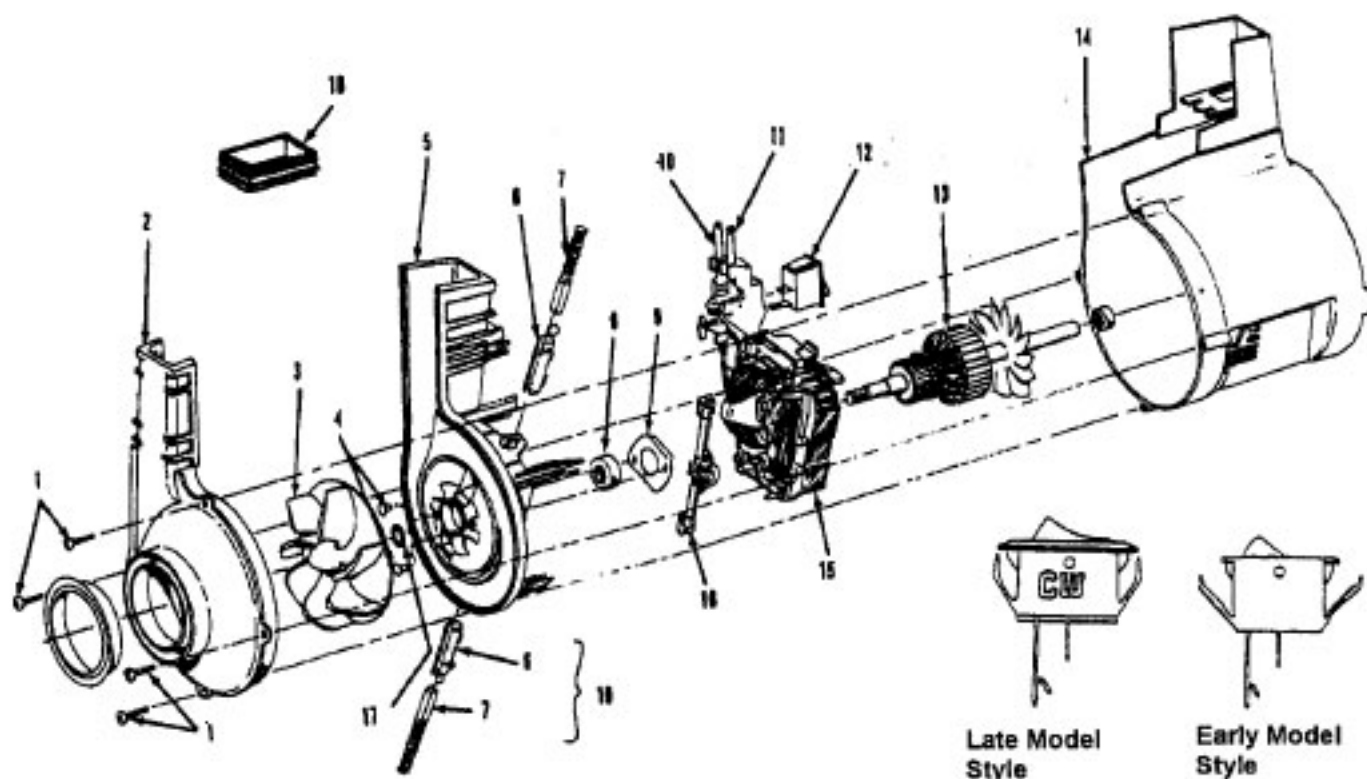
Sprint
TurboPOWER

Model U4259-930
Model U4645-930

| Ref. No. | Part No. | Description | Ref. No. | Part No. | Description |
|----------|----------|--|--|----------|---|
| 1 | 37911079 | Handle Cap - ABE | 36 | 42252318 | Hood Assem. - ABN |
| 2 | 46388027 | Attach. Cord - AG | | 42252327 | Hood Assem. - ABP - U4265-910 |
| 3 | 38335020 | Bag Strap Spring - AY | | 42252334 | Hood Assem. - ABP - U4265-930 |
| 4 | 36425072 | Bag Strap - MW - U4263-930; U4269-930 U4271-930, U4259-930 | | 42252337 | Hood Assem. - ABN - U4263-930 |
| | 36425071 | Bag Strap - ABE | | 42252342 | Hood Assem. - ABN - U4261-930, U4261-980 |
| 5 | 48663142 | Upper Handle Assem. - MW | | 42252352 | Hood Assem. - ABT - U4261-940 |
| | 48663141 | Upper Handle Assem. - MW - U4263-930, U4269-930, U4271-930, U4259-930, U4645-930 | | 42252361 | Hood Assem. - ABP - U4267 - 930 |
| | | | | 42252379 | Hood Assem. - ABE - U4269-930 |
| 6 | 43434237 | Hose Assem. - ABX/AG | | 42252392 | Hood Assem. - ABP - U4259-930 |
| 7 | 36433110 | Tool Rack - MW - Models with two wands | | 42252397 | Hood Assem. - MD - U4271-930 |
| | 36433098 | Tool Rack - ABE - Models with one wand | | 42252A02 | Hood Assem. - AG - U4645-930 |
| 8 | 43414145 | Dusting Brush - AG | | 42252A82 | Hood Assem. - AG - U4269-930 after 08/16/99. |
| 9 | 38634078 | Extension Tube - AG | 37 | 37246048 | Panel - ABN |
| 10 | 39464005 | Lower Handle- ABE | | 37246126 | Panel - ABP- U4265-910, U4265-930 |
| 11 | 36425064 | Jacket Support - Upper - ABE - U4263-930; U4269-930, U4271-930, U4259-930, U4645-930 | | 37246128 | Panel - ABT - U4261-940 |
| | 36425067 | Jacket Support - Upper - ABE - U4267-930 | | 39383099 | Lens - BZ - U4263-930, U4267-930, U4271-930, U4259-930 |
| 12 | 43674191 | Outer Jacket - Sewn - AAP/MN | | 39383098 | Lens U4269-930, U4645-930 |
| | 43674191 | Jacket Assem. - Common- ABP-U4267-930 | 38 | 36131090 | Motor Retainer Cap - L.H. |
| | 43686182 | Outer Jacket - ABN - U4263-930 (Incl. It. 11, 17) | 39 | 43576141 | Motor - (P - 201) |
| | 43686162 | Outer Jacket-AG (Incl. It. 11, 17) U4269-930 | | 43576142 | Motor - (P - 202) - U4263-930, U4267-930 U4269-930, U4271-930, U4259-930 U4645-930 |
| | 43686014 | Outer Jacket - MD U4271-930 | 40 | 38528027 | Belt |
| | 43686208 | Outer Jacket - ABP U4259-930 | 41 | 13261AY | Rug Nozzle Rib Shoe |
| | 43686212 | Outer Jacket - AG U4645-930 | 42 | 38563011 | Nozzle Height Adj. Cam |
| | 43686225 | Outer Jacket (Incl. It. 11, 17) - U4645-930 after 08/06/99. | 43 | 38452089 | Lever (Use wheel assem. 43248059) |
| | 43686228 | Outer Jacket (Incl. It. 11, 17) - U4269-930 after 08/16/99. | 44 | 32563012 | Wheel Shaft - AY (Use 43248059) |
| 13 | 38456036 | Switch Control Rod - ABB | 45 | 48414079 | Agitator Comp. - (P - 203) |
| 14 | 40201085 | Nut & Bolt | | 48414081 | Agitator Comp. - U4269-930 (P - 204) |
| 15 | 38614029 | Furniture Nozzle - AG | 46 | 37245108 | Bottom Plate - MW |
| 16 | 38617024 | Crevice Tool - AG | | 37245017 | Bottom Plate - AG U4259-930 |
| 17 | 36425063 | Jacket Support - Lower - ABE -U4263-930 U4269-930, U4271-930, U4259-930, U4645-930 | | 37245108 | Bottom Plate - AG U4645-930 |
| | 36425068 | Jacket Support - Lower - ABE - U4267-930 | ITEMS NOT ILLUSTRATED | | |
| 18 | 38522011 | Rear Wheel - AG | | 3944201P | Cord Wrap |
| 19 | 31523012 | Rear Wheel Shaft - AY | | 27313101 | Dirt Finder Lamp - U4263-930, U4267-930, U4269-930, U4271-930, U4259-930 |
| 20 | 36131056 | Wheel Retainer | PACKAGING MATERIAL | | |
| 21 | N/A | Wheel - AG - (Use 43248059 Wheel Assem.) | | 56511A64 | Owner Manual - U4645-930 (after 08/06/99) |
| 22 | 43248059 | Front Wheel Assem. (Incl. It. 21, 43, 44) | | 56511A33 | Owner Manual - U4263-930, U4271-930, U4269-930, U4259-930, U4645-930 |
| 23 | 34572002 | Cam Actuator Spring | | 56511394 | Owner Manual- U4261-930, U4261-940, U4261-980, U4265-930 (before 08/06/99), U4267-930 |
| 24 | 42243002 | Main Body Assem. (Incl. It. 18, 19, 27, 41) | | 58185184 | Carton - Common |
| | 42243001 | Main Body Assem. (Incl. It. 18, 19, 27, 41) U4269-930, U4645-930 | | 58258008 | Carton Support - U4261-990 |
| 25 | 38567008 | Cam Actuator - MW | | 58346004 | Front Support |
| 26 | 38421070 | Indicator Knob - ABE | | 58366096 | Front Support - U4261-980 |
| 27 | 38458022 | Handle Release Lever | | 58353009 | Rear Support |
| 28 | 38784016 | Seal | | 58366097 | Rear Support - U4261-980 |
| 29 | 36131057 | Motor Retainer Cap - R.H. | | 58347019 | Cleaning Tool Carton |
| 30 | 21447217 | Screw - Self Tapping | | 58347022 | Cleaning Tool Carton - U4271-930, U4263-930 |
| 31 | 4010001A | Throw Away Bag (3 Pk.) | * NOTE: Model U4261-980 is an ensemble which includes the Model U4261-930 Encore Supreme Upright and a Model S1103 Dubl-Duty Wet/Dry Hand Cleaner. | | |
| | 4010100A | Allergen Throw Away Bag (3 Pk.) | ** NOTE: Model U4261-990 is an ensemble which includes the Model U4261-940 Encore Supreme Upright, a Model S2141 Quik-Broom and a Model S1137 Brush-Vac Hand Cleaner. | | |
| 32 | 38351013 | Spring | *** Note: Model U4271-930 has a new style door and does not require the use of the Seal and Speed Nut. | | |
| 33 | 37257042 | Door Assem. - ABN (Incl. It. 34, 35) | ****Note: Model U4271-980 is an ensemble which includes the model U4271-930 and a model S1103 Dubl-Duty. | | |
| | 37257043 | Door Assem. - ABP - U4265-910, U4265-930, U4267-930 (Incl. It. 34, 35) | | | |
| | 37257063 | Door Assem. - ABT - U4261-940 (Incl. Items 34, 35) | | | |
| | 37257028 | Door Assem. - ABE - U4269-930 (Incl. It. 34, 35) | | | |
| | 37257017 | Door Assem. - MD See NOTE ***, U4271-930 | | | |
| | 37257047 | Door Assem. - ABP- U4259-930 Incl. It. 34, 35 | | | |
| | 37257143 | Door Assem. - AG - U4645-930 See Note *** | | | |
| 34 | 38785011 | Seal (See Note ***) | | | |
| 35 | 21362006 | Speed Nut (See Note ***) | | | |



| Ref. No. | Part No. | Description |
|----------|----------|-----------------------------|
| | 48414079 | Agitator Assem. Comp. - AG |
| 1 | 36423016 | Thread Guard - RH |
| 2 | 43267002 | Agitator Bearing Assem. (2) |
| 3 | 21347003 | Conical Washer (2) |
| 4 | 36422022 | Agitator End (2) |
| 5 | N/A | Agitator Body |
| 6 | 32724013 | Agitator Shaft |
| 7 | 36423017 | Thread Guard - LH - AG |



| Ref. No. | Part No. | Description |
|----------|----------|--|
| | 43576142 | Motor Assem. Comp. |
| | 43576181 | Motor Assem. Comp. (Replaced by 43576204) |
| 1 | 214793DA | Screw-Self Tapping (4) |
| 2 | 38736033 | Fan Chamber |
| 3 | 38755030 | Fan |
| 4 | N/A | Rivet - Semi Tubular (2) |
| 5 | N/A | Motor Housing Assem. |
| 6 | N/A | Motor Brush Holder (2) |
| 7 | N/A | Motor Brush Assem. (2) |
| 8 | N/A | Bearing |
| 9 | N/A | Bearing Retainer |
| 10 | 36914004 | Switch Bus Bar |
| 11 | 39116005 | Attachment Terminal |
| 12 | 28218043 | Switch Assem. - Early Models (Prior to 5/96) |
| | 28161062 | Switch Assem. - Late Models (After 5/96) |
| 13 | N/A | Armature/Bearing Assem. |
| 14 | 37194046 | Motor End Cap Assem. - MW |
| 15 | N/A | Field Assem. |
| 16 | N/A | Lamp Holder Assem. |
| 17 | 21312793 | Washer |
| 18 | 38783020 | Duct Seal |
| 19 | 41311016 | Motor Brush Holder Assem. |

ITEMS NOT ILLUSTRATED

| | |
|----------|--|
| 38781013 | Duct Seal (8 1/2" Long adhesive backed foam seal used on early models in place of item 18) |
| 54821001 | Tape (Roll) |