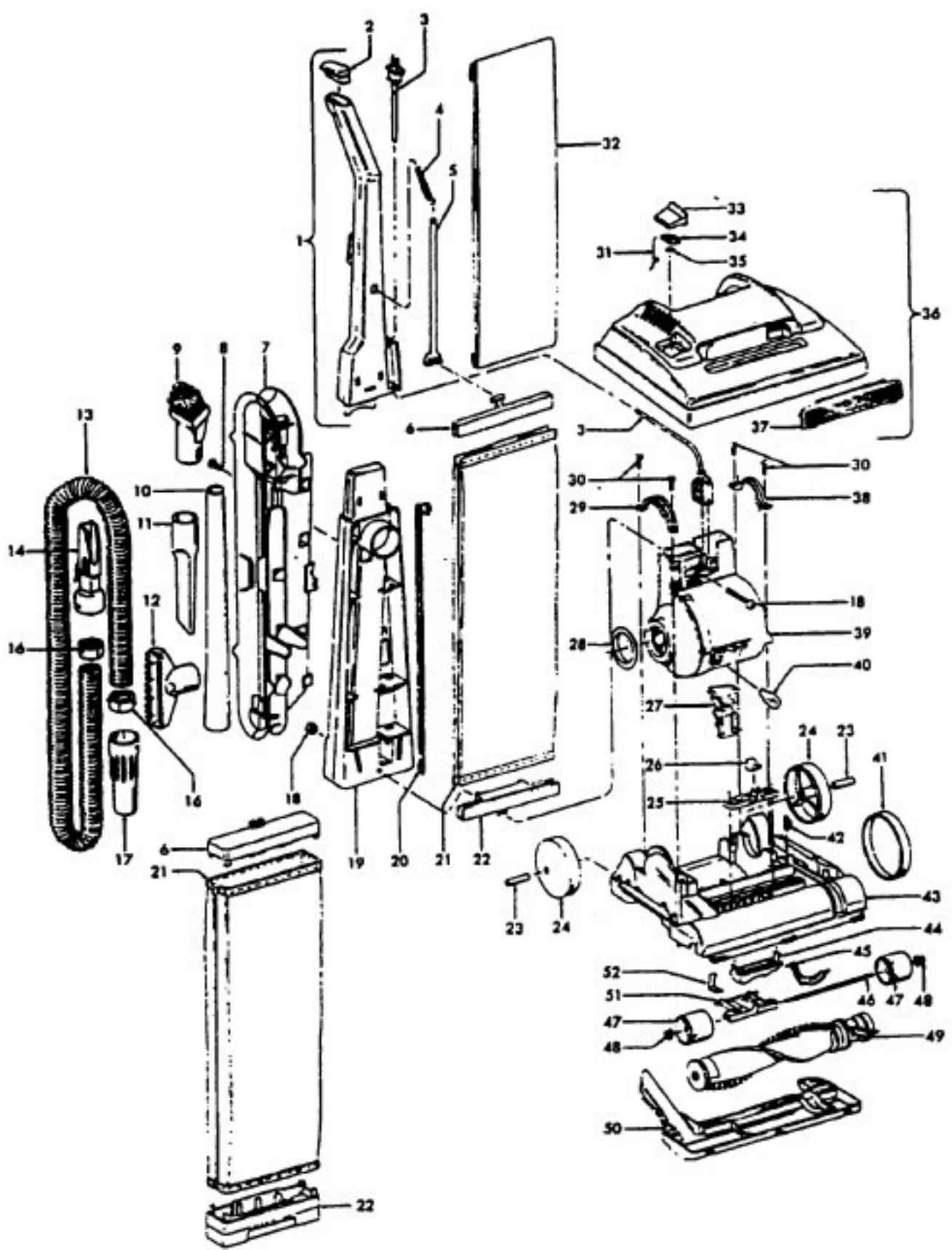


Elite

Convertible

Models U4296-930, U4671-910, U4671-920, U4671-930
U4639-930, U4639-980*, U4675-930, U4645-930
Model U4535-930



Elite

Models U4296-930, U4671-910, U4671-920, U4671-930
U4639-930, U4639-980*, U4675-930

Convertible

Model U4535-930

Ref. No.	Part No.	Description	Ref. No.	Part Description	No.	No.
1	48663142 48663141	Upper Handle Assem. - MW Upper Handle Assem. - MW - U4671-920, U4671-930, U4639-930		37257059	Door Assem. -ABB- U4296-930, U4535-930	
	48663152	Upper Handle Assem. - ABE - U4675-930, U4535-930, U4296-930	34	38785011	Seal	
2	37911079 39458057	Handle Cap - MW Handle Grip - ABR - U4675-930, U4535-930, U4296-930	35	21362006	Speed Nut	
3	46388027	Attachment Cord - AG - 35 Ft.	36	42252286	Hood Assem. - MN	
4	38335020	Bag Strap Spring - AY		42252323	Hood Assem. - MN -U4671-920	
5	36425071 36425072	Bag Strap - ABE Bag Strap - ABE - U4296-930, U4671-920, U4671-930, U4675-930, U4535-930		42252333	Hood Assem. - MN - U4671-930	
				42252340	Hood Assem. -ABC -U4639-930	
				42252A06	Hood Assem. - AG -U4675-930	
				42252395	Hood Assem. - ABB -U4535-930	
				42252A41	Hood Assem. - ABB - U4296-930	
6	36425067 36425064	Jacket Support - Upper - MW - Std. Jacket Support - Upper - ABE - Del. - U4296-930, U4671-920, U4671-930, U4639-930, U4535-930	37	39383098	Dirt Finder Lens - KC	
	36425062	Jacket Support - Upper - ABE - U4675-930		39383099	Dirt Finder Lens - BZ U4535-930	
			38	36131090	Motor Retainer Cap - L.H.	
7	41426086	Tool Holder - ABE	39	43576142	Motor - (P. 202)	
8	21447220	Screw - Self Tapping	40	27313101	Dirt Finder Lamp	
9	43414145	Dusting Brush - AG	41	38528027	Belt	
10	38634078	Ext. Tube - AG	42	13261AY	Rug Nozzle Rib Shoe	
11	38617024	Crevice Tool - AG	43	42243001	Main Body Assem. (Incl. It. 23, 24, 27, 42)	
12	38614029	Furniture Nozzle - AG		42243002	Main Body Assem. - U4535-930 (Incl. It. 23, 24, 27, 42)	
13	43434232	Hose Comp. - Standard - ABX/AG	44	38563011	Nozzle Height Adj. Cam	
14	38656035	Hose Connector - AG	45	38452089	Lever (Use wheel assem. 43248059)	
15		N/A	46	32563012	Wheel Shaft - AY (Use 43248059)	
16	36116014	Hose Connector Collar	47	43248059	Wheel - AG	
17	32288011	Hose Adapter - AG	48	36131056	Wheel Retainer - BZ	
18	40201085	Nut & Bolt	49	48414081	Agitator - (P. 204)	
19	39464005	Lower Handle - ABE		48414079	Agitator - (P. 203) - U4535-930	
20	38456036	Switch Control Rod	50	37245108	Bottom Plate - AG	
21	43674191 43686146	Outer Jacket - Sewn - AAP/MN Outer Jacket - AAP/MN - (Incl. Items 6,22) - U4671-920	51	37245017	Bottom Plate - AG - U4535-930	
	43686172	Outer Jacket - AAP/MN - (Incl. It. 6,22) U4671-930	52	43248059	Front Wheel Assem. (Incl. It. 45, 46, 47)	
	43686190	Outer Jacket - ABC (Incl. It. 6, 22) U4639-930		34572002	Cam Actuator Spring - FW	
	43686209	Outer Jacket - ABC - (Incl. It. 6, 22) U4675-930				
	43686177	Outer Jacket - ABB (Incl. It. 6, 22) U4535-930				
	43686215	Outer Jacket - ABB - (Incl. It. 6,22) U4296-930				
22	36425068 36425063	Jacket Support - Lower - ABE - Std. Jacket Support - Lower - ABE - Del. - U4671-920, U4671-930, U4639-930 U4675-930, U4535-930, U4296-930				
23	31523012	Wheel Shaft				
24	38522011	Rear Wheel - AG				
25	38567008	Cam Actuator - KE				
26	38421070	Indicator Knob - ABE				
27	38458022	Handle Release Lever - AG				
28	38784016	Seal				
29	36131057	Motor Retainer Cap - R.H.				
30	21447217	Screw - Self Tapping				
31	38351013	Spring				
32	4010001A	Throw - Away Bag - 3 Pk.				
33	37257014 37257016	Door Assem. - MN (Incl. It. 34,35) Door Assem. - AG				

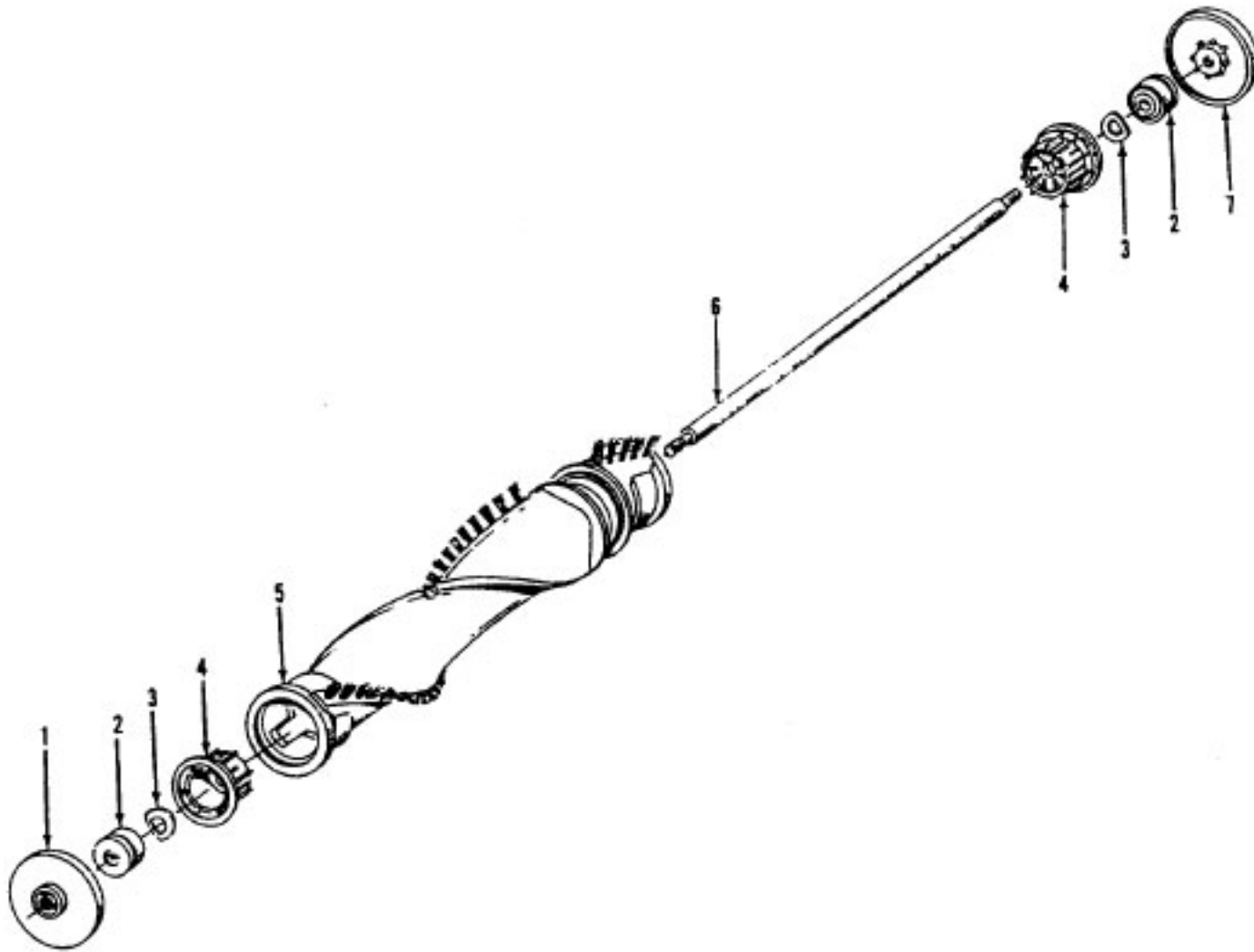
Items not illustrated

3944201P	Cord Wrap
57363002	Scent Tablet - U4675-930
35111002	Drawer - AG - U4675-930
37959076	Jacket Support Cap - U4675-930
51639122	Bag Cap Nameplate - U4675-930

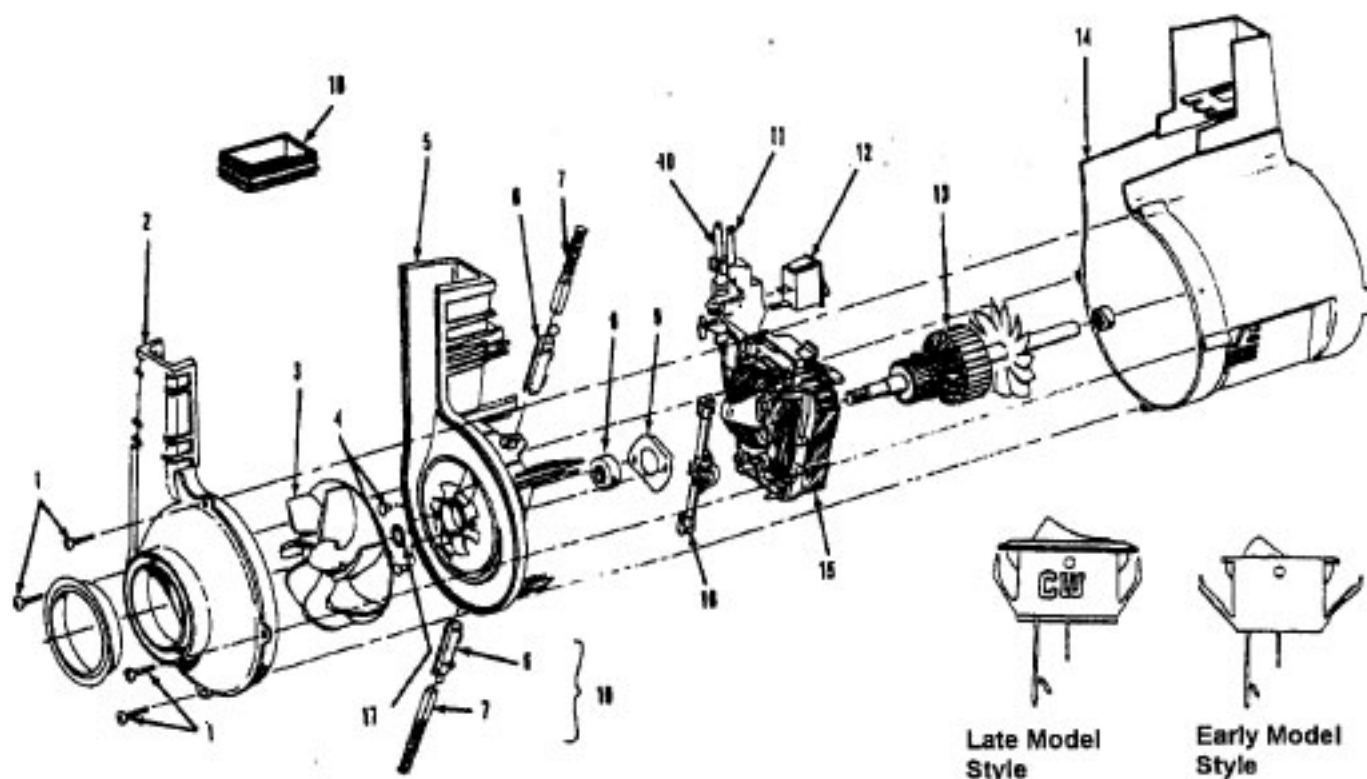
Packaging Material

56511352	Owner Manual
56511395	Owner Manual U4675-930, U4535-930 U4671-930, U4639-930, U4296-930
58175094	Carton
58185184	Carton - Common
58346005	Carton Support
56511395	Owner Manual - U4671-920
58385019	Carton Support - U4671-920, U4671-930,
58362006	Carton Support - U4639-930

* NOTE: Model U4639-980 is an ensemble which includes the Model U4639-930 and Model S2139-080 (Hand/Stick pages 58,59).



Ref. No.	Part No.	Description
	48414079	Agitator Assem. Comp. - AG
1	36423016	Thread Guard - RH
2	43267002	Agitator Bearing Assem. (2)
3	21347003	Conical Washer (2)
4	36422022	Agitator End (2)
5	N/A	Agitator Body
6	32724013	Agitator Shaft
7	36423017	Thread Guard - LH - AG



Ref. No.	Part No.	Description
	43576142	Motor Assem. Comp.
	43576181	Motor Assem. Comp. (Replaced by 43576204)
1	214793DA	Screw-Self Tapping (4)
2	38736033	Fan Chamber
3	38755030	Fan
4	N/A	Rivet - Semi Tubular (2)
5	N/A	Motor Housing Assem.
6	N/A	Motor Brush Holder (2)
7	N/A	Motor Brush Assem. (2)
8	N/A	Bearing
9	N/A	Bearing Retainer
10	36914004	Switch Bus Bar
11	39116005	Attachment Terminal
12	28218043	Switch Assem. - Early Models (Prior to 5/96)
	28161062	Switch Assem. - Late Models (After 5/96)
13	N/A	Armature/Bearing Assem.
14	37194046	Motor End Cap Assem. - MW
15	N/A	Field Assem.
16	N/A	Lamp Holder Assem.
17	21312793	Washer
18	38783020	Duct Seal
19	41311016	Motor Brush Holder Assem.

ITEMS NOT ILLUSTRATED

38781013	Duct Seal (8 1/2" Long adhesive backed foam seal used on early models in place of item 18)
54821001	Tape (Roll)