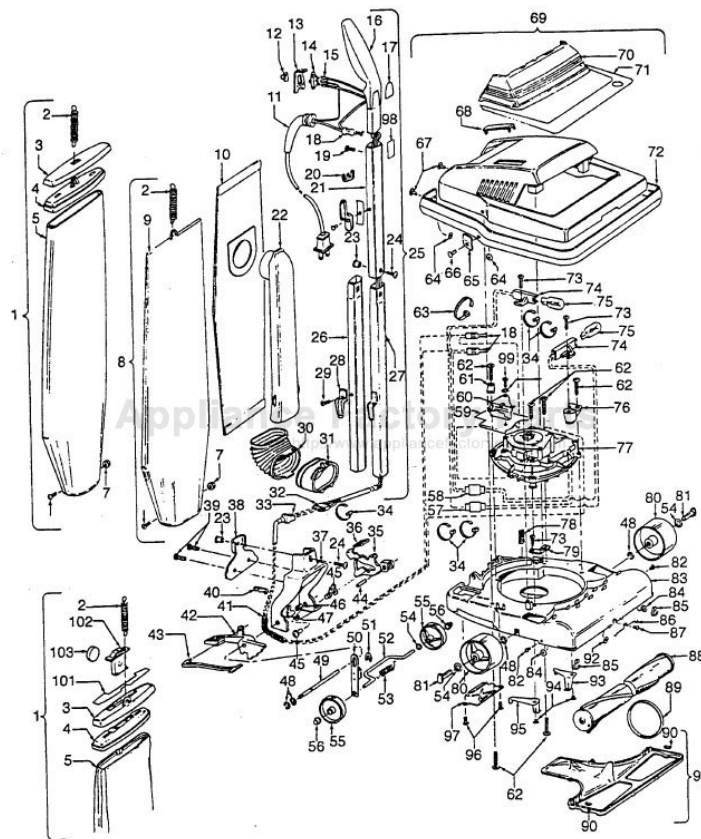


This Owner's Manual is provided and hosted by [Appliance Factory Parts](#).



# HOOVER U4407 Owner's Manual

[Shop genuine replacement parts for HOOVER U4407](#)



[Find Your HOOVER Vacuum Cleaner Parts - Select From 1456 Models](#)

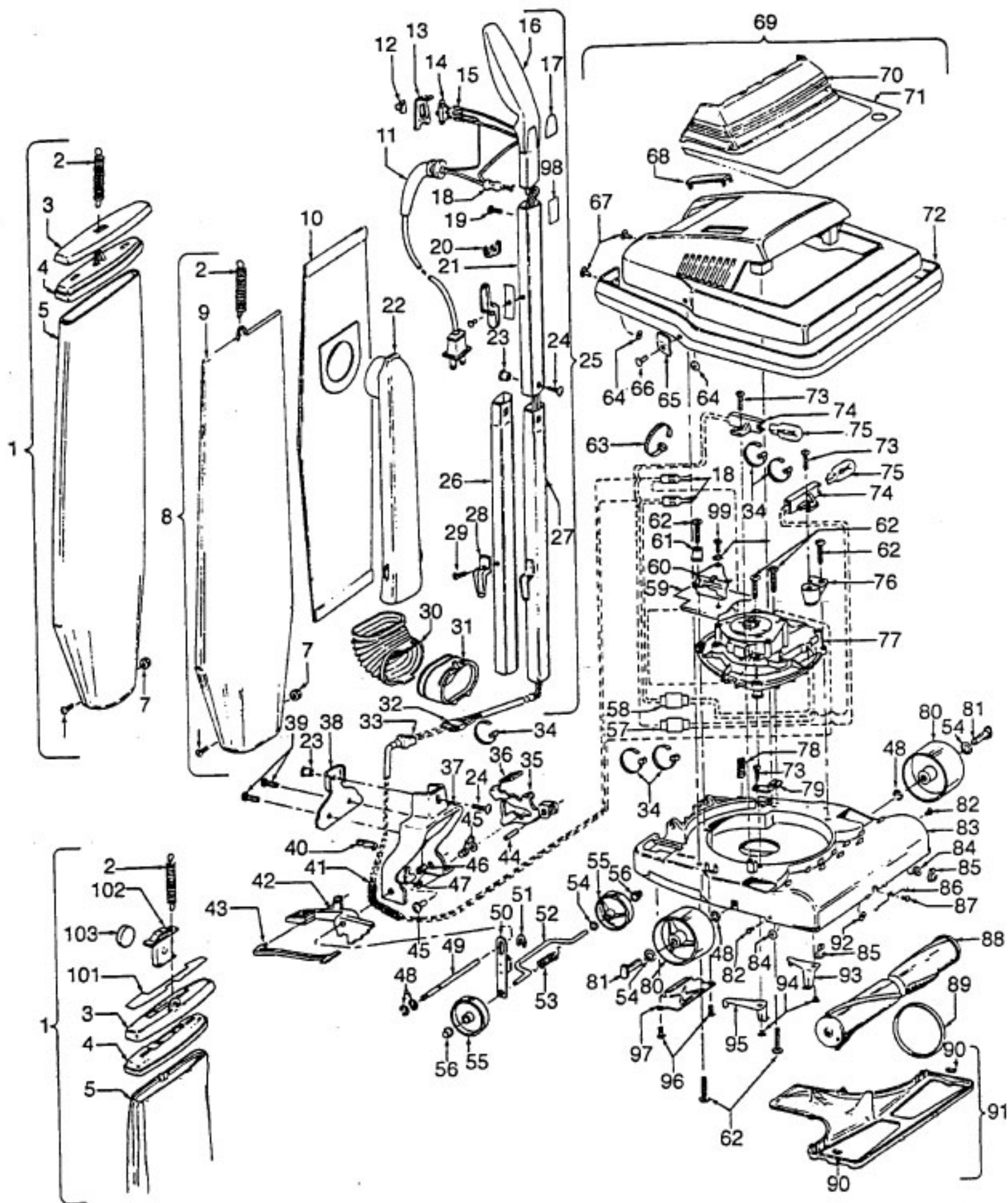
----- Manual continues below part list -----

## Available Replacement Parts for HOOVER U4407

<a href="#">HR-14035</a>	Hovr Typ C
<a href="#">H-4010001A</a>	VACUUM BAG OEM HOOVER 3 PACK
<a href="#">H-43267002</a>	AGITATOR BEARING ASM
<a href="#">K-109289</a>	BULB
<a href="#">H-43414073</a>	Floor brush.
<a href="#">H-43414064</a>	DUSTING BRUSH (ONE PEICE)
<a href="#">HR-5000</a>	EXTENSION TUBE

# Convertible

Models U4381-9, U4381-930, U4385, U4407



## Convertible

Ref. No.	Part No.	Description
1	43678330	Outer Bag Comp.
2	38336014	Jacket Support Spring - AW
3	37959007	Bag Cover - LS - U4381-9
	37959032	Bag Cover - LS - U4381-930
	37959052	Bag Cover - MU - U4407
4	37959095	Hanger - U4381-9
	37959090	Hanger - U4381-930, U4407
5	43678330	Outer Bag Complete
6	21765159	Screw - Machine
7	15854EF	Nut
8	43678182	Outer Bag Comp. - U4385
9	43677322	Outer Bag - U4385
10	4010001A	Throw Away Bag (3 Pack)
11	46383304	Cord - AAP
12	38421012	Switch Button - AG
13	37258015	Switch Cover - KT
	37258097	Switch Cover - MU - U4407
14	28179013	Switch
15	27666702	Terminal (3)
16	39454060	Handle Grip Assem. - KE
17	51663003	Nameplate
18	12227	Insulated Terminal (3)
19	166735EF	Self Tapping Screw
20	39442001	Bag Support - JM
21	48631168	Handle - Upper Half - AX
	48631077	Handle - Upper Half - KS - U4385, U4407
22	38657004	Top Fill Tube
23	32277008	Handle Clamp Nut (2)
24	21631301	Handle Clamp Bolt (2)
25	48655118	Handle Assem. Comp. - LT
	48655106	Handle Assem. Comp. - KT - U4385
	48655107	Handle Assem. Comp. - MU - U4407
26	48631035	Handle - Lower Half Assem. - AX
		U4381-9, U4381-930
27	48631021	Handle - Lower Half Assem. - KS - U4385, U4407
28	36153030	Cord Release Arm - ABE - U4381-9
29	21434824	Screw - Self Tapping
30	38673009	Bellows - JM
31	41424011	Bag Flange Assem.
32	46526012	Handle Socket Assem. Comp.
33	46522008	Cap Housing/Tubing Assem.
34	27479307	Lead Wire Tie (5)
35	38456050	Handle Control Lever
36	38426080	Foot Pad
37	41416026	Bail Assem. - LS
38	34777012	Bail Cover Plate
39	21465312	Screw - Self Tapping (2)
40	39442030	Cord Clip
41	38313023	Motor Lead Spring
42	38456044	Nozzle Adjustment Lever - AG
43	51151034	Indicator - AG
44	47450AY	Pivot Pin
45	11735	Roller Detent Assem.
46	48409FW	Bag Flange Clamp Lever Spring
47	19907	Bag Flange Clamp Lever
48	13730	Lock Ring (4)
49	161509AY	Bail Shaft
50	43263005	Cam Follower Assem.
51	34252005	Yoke
52	33152003	Rear Wheel Shaft - AY
53	161513	Spring
54	21312772	Washer - AY (3)
55	38521016	Rear Wheel (2)
56	32182001	Wheel Retainer - BZ (2)
57	27617104	Connector

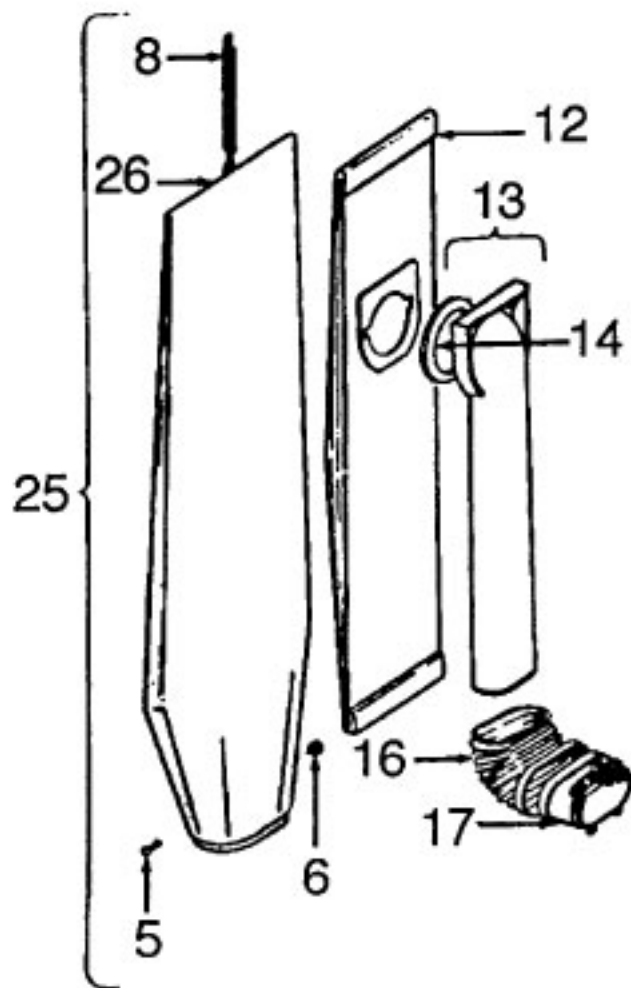
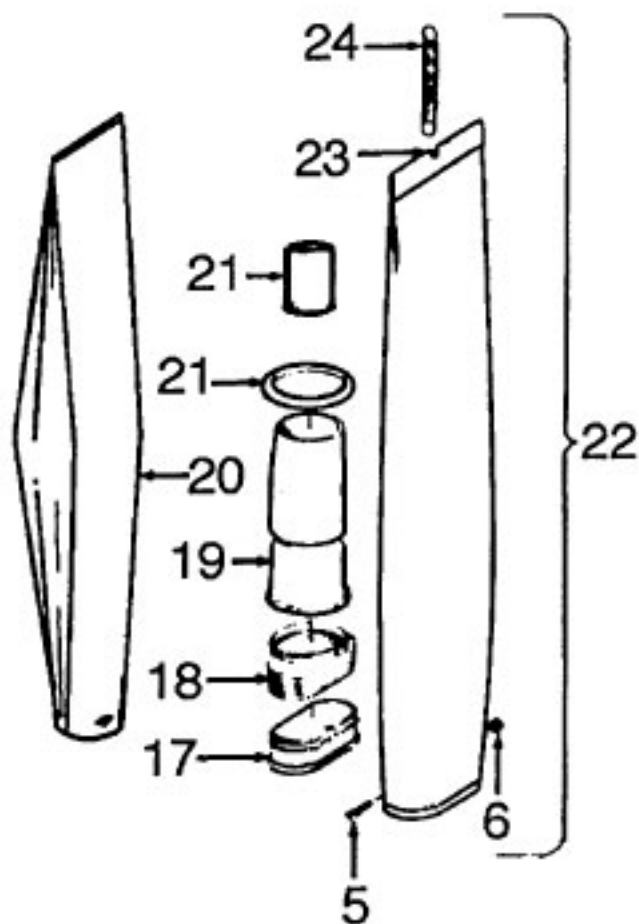
## Models U4381-9, U4381-930, U4385, U4407

Ref. No.	Part No.	Description
58	27617103	Connector
59	34287022	Motor Baffle
60	41961009	Indicator Guide Assem.
61	34312011	Cord Retainer
62	21447020	Screw - Self Tapping (6)
63	27479307	Cable Tie
64	168278AY	Washer (4)
65	36951004	Retainer - BU
66	12997AW	Rivet - Tubular (2)
67	21256134	Rivet - AW (2)
68	48111008	Indicator Lens
69	42251107	Hood Assem. - KS
	42251267	Hood Assem. - MT - U4407
70	39383053	Lens/Shield - KT
71	52115083	Nameplate
72	36231028	Furniture Guard - LT
	36231133	Furniture Guard - KT - U4385
	36231033	Furniture Guard - MZ - U4407
73	21447003	Screw - Self Tapping (3)
74	36912004	Lamp Socket - AG (2)
75	27313101	Dirt Finder Lamp (2)
76	36912005	Lamp Socket Holder - AG
77	43574053	Motor Assem. Comp.
78	12559FW	Handle Control Spring
79	34665007	Pivot Pin Retainer - FW
80	38522013	Carrier Wheel - AG (2)
81	47457AY	Carrier Wheel Shaft (2)
82	48422	Rivet - Tubular (2)
83	42242189	Main Body - KE
	42242267	Main Body Assem. - MW (Use w / Bottom Plate - Plastic)
84	21312781	Washer - AY (2)
85	34784021	Agitator Retaining Spring (2)
86	12138FW	Bottom Plate Spring (Use w/Metal Bottom Plate)
87	12503EF	Rivet - Semi Tubular (Use w/Metal Bottom Plate)
88	41435005	Agitator Assem. Comp. - MF
89	44783AG	Belt
90	34111001	Support Pad (2) (Use w/Metal Bottom Plate)
91	42246062	Bottom Plate (Metal)
	37245081	Bottom Plate - AG
92	21312703	Washer (Use w/Metal Bottom Plate)
93	35446005	Bottom Plate Latch - LH
94	12456	Rivet - Tubular (2)
95	35446003	Bottom Plate Latch - RH
96	21447009	Screw - Self Tapping (2)
97	35434040	Axle/Bag Flange Retainer - AY
98	51638029	Handle Tube Nameplate
99	45533AY	Screw - Machine
100	14062	Lockwasher
101	51639073	Bag Cover Nameplate - U4381-930, U4407
102	35111002	Drawer - AG - U4381-930, U4407
103	57363003	Air Freshener Table (4-Pack) Spring Bouquet

### ITEMS NOT ILLUSTRATED

58173208	Carton - U4381-9
58173039	Carton (Common) - U4385
58343025	Front Support
58366012	Rear Support
56511132	Owner Manual
35276006	Indicator Guide Spring

# Outer Bag/ Outer Bag Comp.

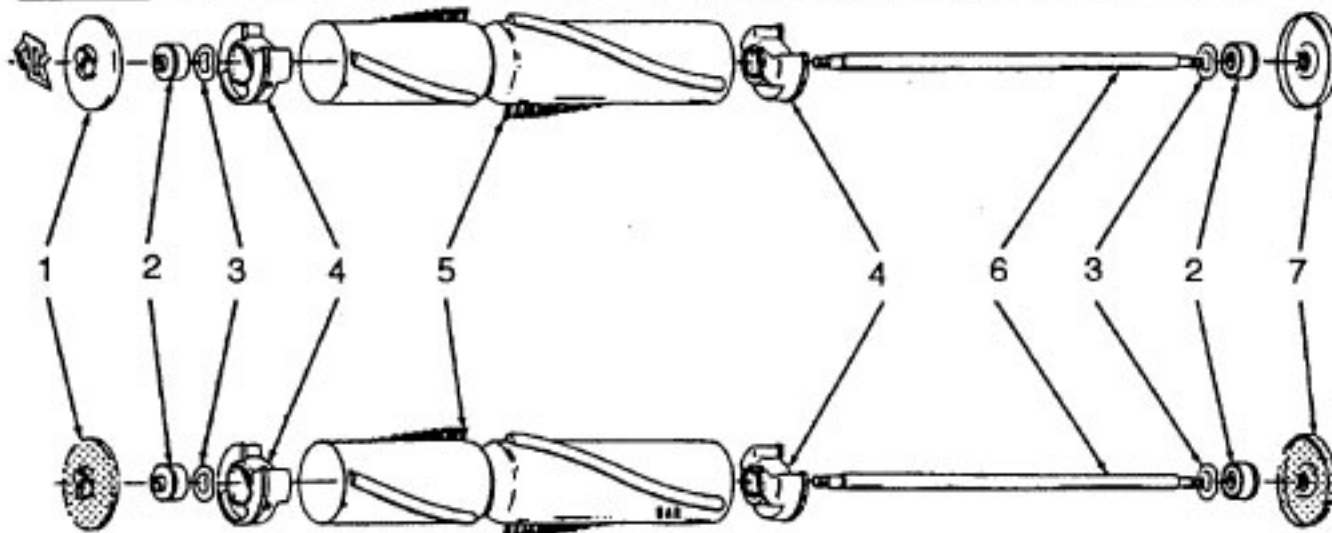
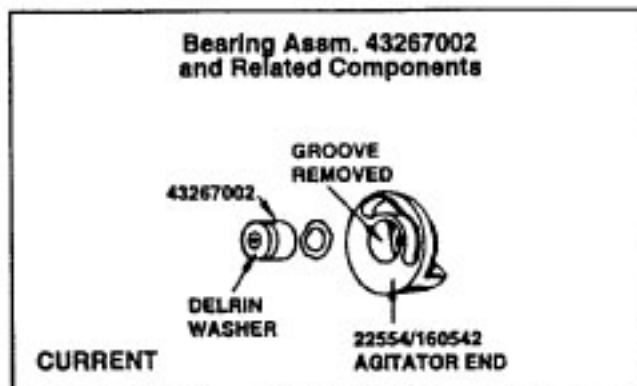
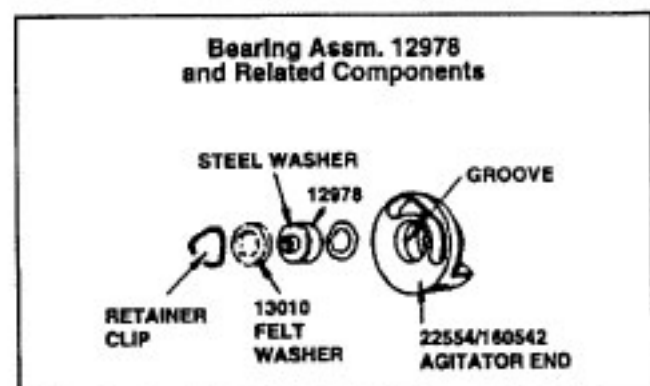


Ref. No.	Part No.	Description
5	21765159	Screw
6	15854EF	Nut
8	38336014	Jacket Support Spring
12	4010001A	Throw Away Bag (3 Pk.)
13	43482058	Top Fill Tube & Seal (Shown)
	38657004	Top Fill Tube (Push on Type)
14	32174004	Bag Collar Seal (Use w/Item 13 - 43482058)
16	38673009	Bellows
17	41424011	Bag Ring & Gasket
	41424502	Bag Ring & Gasket - U4014-079
18	11064JM	Bellow
19	161889	Bag Support Tube
20	4010003C	Throw Away Bag (4 Pk.)
	4010004C	Throw Away Bag (1 2 Pk.)
21	46550AG	Bag Retainer
21	35091	Bag Retainer Sleeve - Early Models
22	43678331	Outer Bag Comp. - Bottom Fill - Wide - Common
	43678052	Outer Bag Comp. - Bottom Fill - Narrow - Common
23	43677052	Outer Bag - Bottom Fill - Narrow - Common
	43677321	Outer Bag - Bottom Fill - Wide - Common
	43686510	Outer Bag - U4014-079 (Zip)
24	38335006	Jacket Support Spring
25	43678330	Outer Bag Comp. - Top Fill - Common
26	43677322	Outer Bag -Top Fill - Common

## ITEMS NOT ILLUSTRATED

37911043	Header Cap - U4087 (JE)
37911044	Header Cap - U4091 (AR)
37911045	Header Cap - U4075 (EW)
37911047	Header Cap - U4093 (ET)
41129008	Cable Tie & Instruction Sheet (Used to secure the vinyl outer Jacket to the Bag Ring)
36953003	Hanger (Used in the repair of Item #'s 22,23,25,26. Secures Jacket Support Spring to Outer Bag/Outer Bag Comp.)

# Agitator



Ref. No.	Part No.	Description
1	49180 36423003	Thread Guard & Spring (Metal) Thread Guard L.H. (Molded)
2	43267002	Bearing
3	21347003	Thrust Washer
4	22554  160542  41435070	Agitator End (Early Model Standard Performance Cleaners, L.H. Helix) Agitator End (Standard & High Performance Cleaners, R.H. Helix) Agitator End (Use w/two brush agitator Pt. #48414021)
5	12998BZ  160646BZ  48445001	Agitator Brush - 8 mil (Early Model Standard Performance Cleaners, L.H. Helix) Agitator Brush - 8 mil (Standard Performance Cleaners, R.H. Helix) Agitator Brush - 11 mil (High Performance Cleaners, R.H. Helix)
6	12981  32724008	Agitator Shaft (Used w/metal thread guards) Agitator Shaft (Used w/molded thread guards)
7	12985AY 36423007	Thread Guard R.H. (Metal) Thread Guard R.H. (Molded)

## AGITATOR BELT

Ref. No.	Part No.	Description
	49258AG	Domestic models, Convertible/Decade 80/Heavy Duty Commercials
	44783AG	Lightweight Commercials

## AGITATOR ASSEMBLY

169371MF	Standard Performance, R.H. Helix (Metal Thread Guards)
41435005	High Performance Cleaners, R.H. Helix (Metal Thread Guards w/Spring)
48414006	High Performance Cleaners, R.H. Helix (Metal Thread Guards)
48414007	Standard Performance, R.H. Helix (Molded Thread Guards)

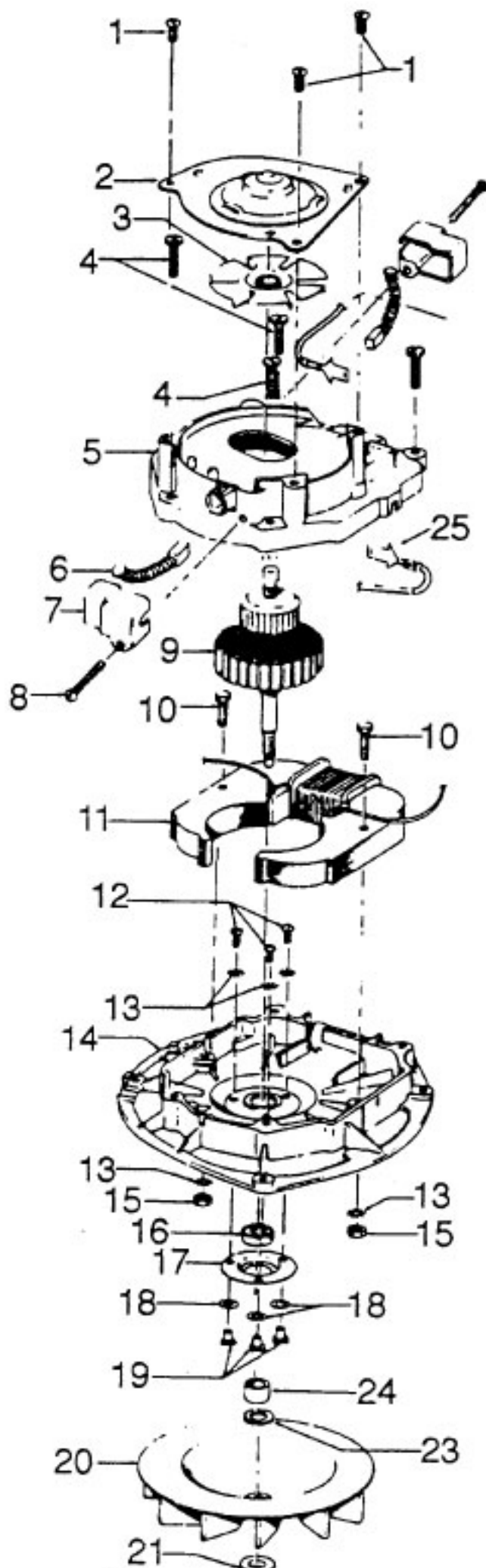
## FOUR BRUSH AGITATOR ASSEMBLY

48414002	Heavy Duty Commercial (Use 47159 Brush-Long, 47160 Brush-Short & 46875 Sems Fastener)
48414003	Lightweight Commercial (Use 160646BZ Brush & 36422003 Agitator End)

## TWO BRUSH W/O BEATER BAR

48414021	Agitator (Molded Thread Guards)
----------	---------------------------------

# Motor



Models U4175, U4189, U4193, U4195, U4195-001, U4199, U4301-9, U4303, U4305, U4309, U4311, U4315, U4319-9, U4321, U325, U4331-9, U4335, U4337, U4341, U4343, U4345-9, U4349, U4349-1, U4353, U4357-9, U4361, U4361-030, U4363, U4363-042, U4363-045, U4365, U4365-048, U4367, U4371, U4371-042, U4371-045, U4373, U4373-048, U4375-9, U4377-9, U4377-935, U4381-9, U4381-930, U4383, U4385, U4387, U4389-9, U4391, U4393, U4393-048, U4397, U4399-9, U4401-9, U4401-948, U4403, U4403-042, U4403-048, U4407, U4409-9, U4411-9, U4411-948, U4413, U4413-042, U4413-045, U4421, U4447, U4449, U4449-048, U4501, U4501-9, U4503-9, U4505, U4721-900

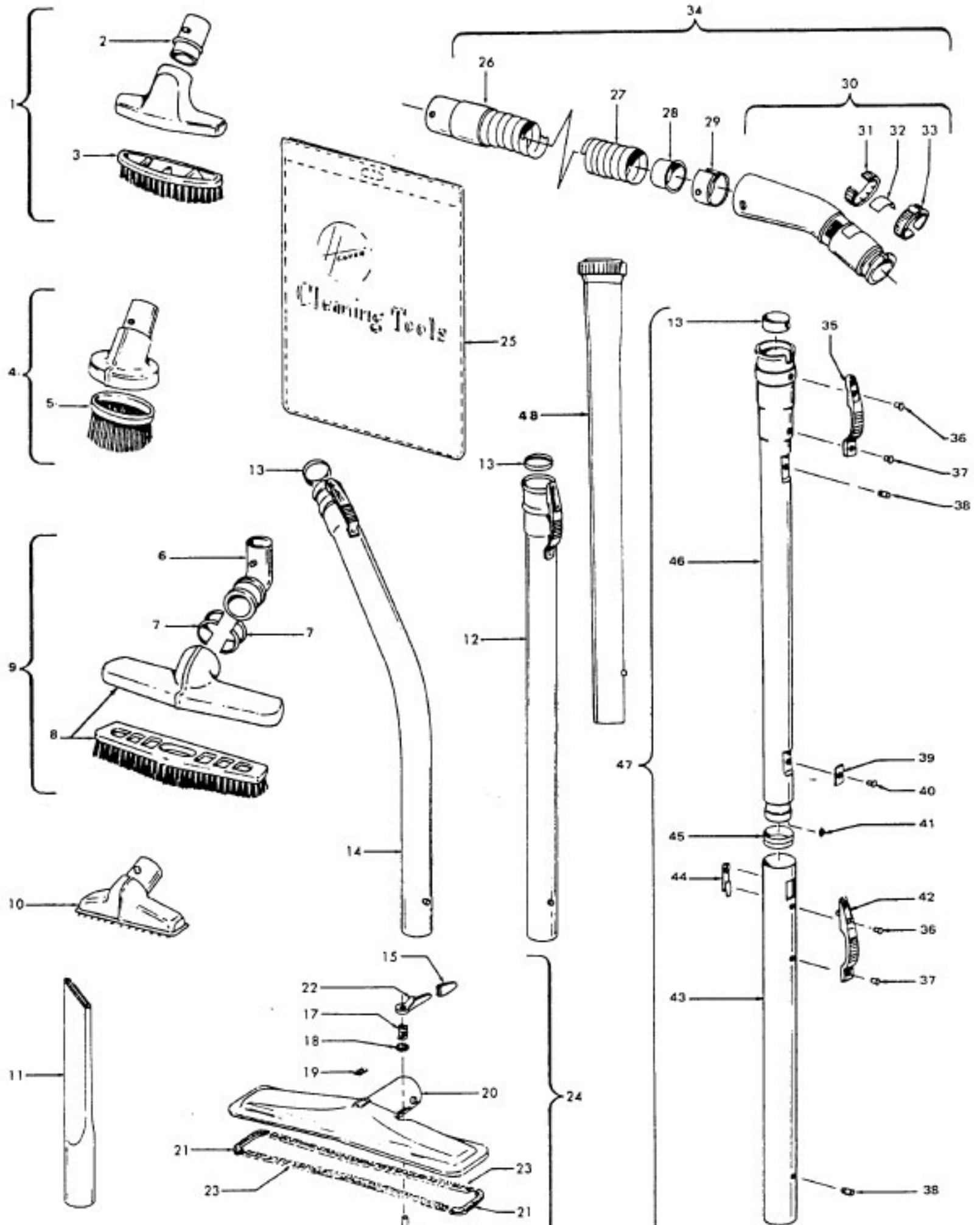
## Motor

Models U4175, U4189, U4193, U4195, U4195-001, U4199, U4301-9, U4303, U4305, U4309, U4311, U4315, U4319-9, U4321, U4325, U4331-9, U4335, U4337, U4341, U4343, U4345-9, U4349, U4349-1, U4353, U4357-9, U4361, U4361-030, U4363, U4363-042, U4363-045, U4365, U4365-048, U4367, U4371, U4371-042, U4371-045, U4373, U4373-048, U4375-9, U4377-9, U4377-935, U4381-9, U4381-930, U4383, U4385, U4387, U4389-9, U4391, U4393, U4393-048, U4397, U4399-9, U4401-9, U4401-948, U4403, U4403-042, U4403-048, U4407, U4409-9, U4411-9, U4411-948, U4413, U4413-042, U4413-045, U4421, U4447, U4449, U4449-048, U4501, U4501-9, U4503-9, U4505, U4721-900

Ref. No.	Part No.	Description	Ref. No.	Part No.	Description
1	45533AY	Screw (3)	24	31731002	Fan Spacer - 8MM
2	42934002	Upper Motor Bearing		31731006	Fan Spacer - U4363-042, U4363-045, U4365-048, U4371-042, U4371-045, U4373-048, U4377-935, U4393-048, U4401-948, U4403, U4403-042, U4403-048, U4407, U4409-9, U4411-9, U4411-948, U4413, U4413-042, U4413-045, U4421, U4447, U4449, U4449-048, U4501, U4501-9, U4503-9, U4505, U4721-900
3	38755004	Fan			
	38755005	Fan (Polycarbonate) - Black			
4	161535	Screw (4)			
5	19857	Upper Motor Casing			
	42195003	Upper Motor Casing - U4361, U4361-030, U4381-9, U4381-930, U4383, U4385, U4397, U4407, U4447, U4501, U4501-9, U4503-9, U4505, U4721-900	25	14320	Terminal
6	47318012	Carbon Brush		43574053	Motor - U4381-9, U4381-930, U4383, U4385, U4407, U4447, U4361, U4361-030, U4397
7	14322	Brush Insulator		43574133	Motor - U4189, U4193, U4199, U4325, U4335, U4341, U4343, U4363, U4363-042, U4363-045, U4365, U4365-048, U4371, U4371-042, U4371-045, U4373, U4373-048, U4375-9, U4399-9, U4413, U4413-042, U4413-045
	36315003	Brush Cap - U4565-048, U4373-048, U4377-935, U4393-048, U4401-948, U4403-048, U4411-948, U4421, U4447, U4449, U4449-048, U4501, U4501-9, U4503-9, U4505, U4721-900		43574161	Motor - U4301-9, U4303, U4305, U4315, U4319-9, U4331-9, U4349, U4349-1, U4353, U4357-9, U4367, U4387, U4389-9, U4391, U4393, U4393-048, U4399-9, U4401-9, U4401-948, U4403, U4403-042, U4403-048, U4409-9, U4411-9, U4411-948, U4421, U4449, U4449-048
8	46930AZ	Screw (2)		43574140	Motor - U4175, U4195, U4195-001, U4309, U4311, U4337, U4345-9, U4377-9
9	44765085	Armature		43574141	Motor - U4321
10	45118	Bolt (2)		43574161	Motor - U4393-048, U4401-948, U4403, U4403-042, U4403-048, U4409-9, U4411-9, U4411-948, U4421, U4449-048
11	45412015	Field		43574190	Motor - U4377-935
	45412017	Field - U4175, U4195, U4195-001, U4309, U4311, U4345-9, U4377-9, U4377-935		43574174	Motor - U4501, U4501-9, U4503-9, U4505, U4721-900
	45412018	Field - U4301-9, U4305, U4303, U4315, U4319-9, U4331-9, U4349, U4349-1, U4353, U4357-9, U4367, U4387, U4389-9, U4391, U4393, U4393-048, U4399-9, U4401-9, U4401-948, U4403, U4403-042, U4403-048, U4409-9, U4411-9, U4411-948, U4421, U4449, U4449-048	ITEMS NOT ILLUSTRATED		
	45412014	Field - U4321		40300014	Armature Spacer / Split Sleeve Kit (For use with Lower Mtr. Brgs. with 4 Attachment Holes.)
	45421015	Field - U4361, U4361-030, U4397			
	45421020	Field - U4381-9, U4381-930, U4383, U4385, U4407, U4447, U4501, U4501-9, U4503-9, U4505, U4721-900			
12	21772501	Screw (3)			
13	14062	Lock Washer (5)			
14	42193006	Lower Motor Case - 8MM			
15	15673	Nut (2)			
16	24152807	Bearing - 8MM			
	43267006	Bearing Replacement Kit - 8MM			
17	32184003	Retainer - 8MM			
18	19772	Lock Washer (3)			
19	45251	Nut (3)			
20	38755011	Fan - Polycarbonate (Black)			
21	31162004	Washer - Heat Insulating			
22	38532009	Motor Pulley			
	38532015	Motor Pulley - U4501, U4501-9, U4503-9, U4505, U4721-900			
23	166563	Washer			

# Cleaning Tools

Convertible



## Cleaning Tools

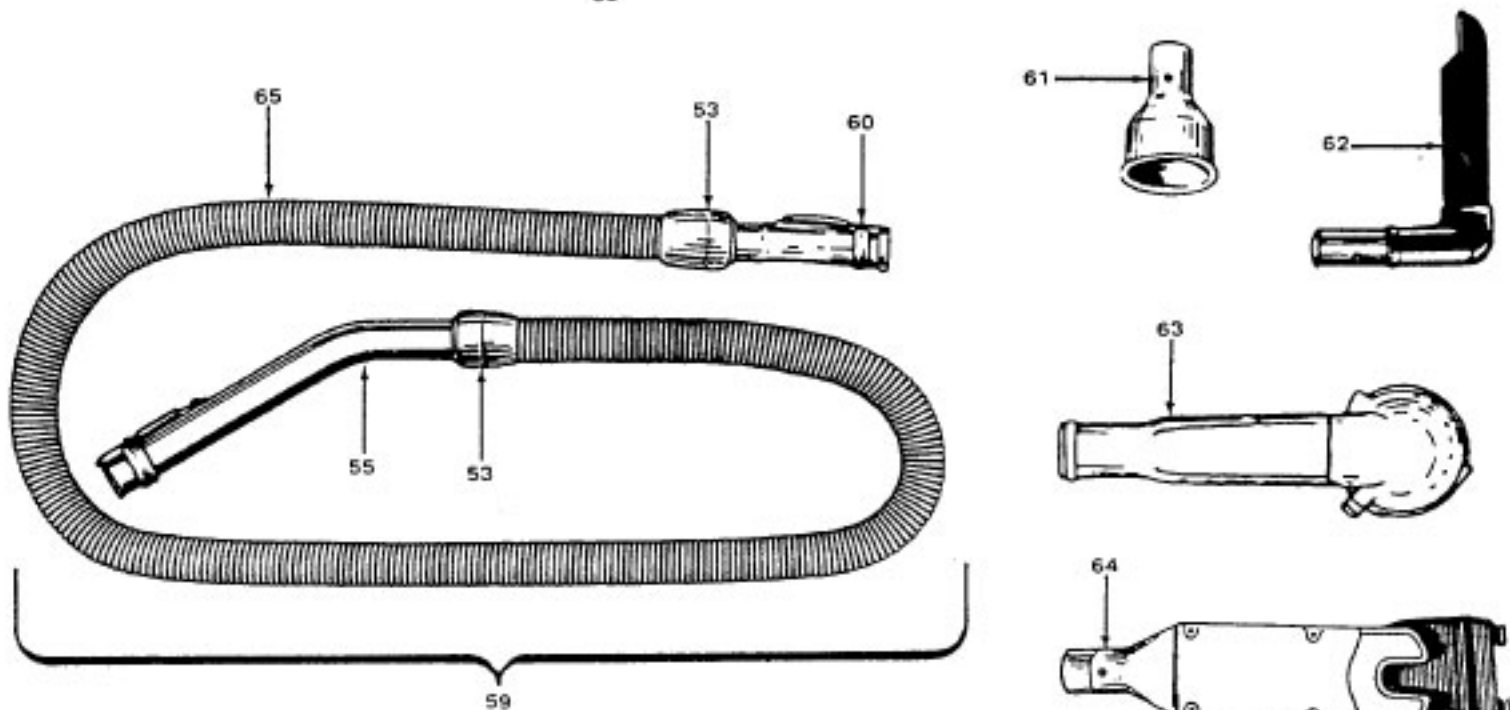
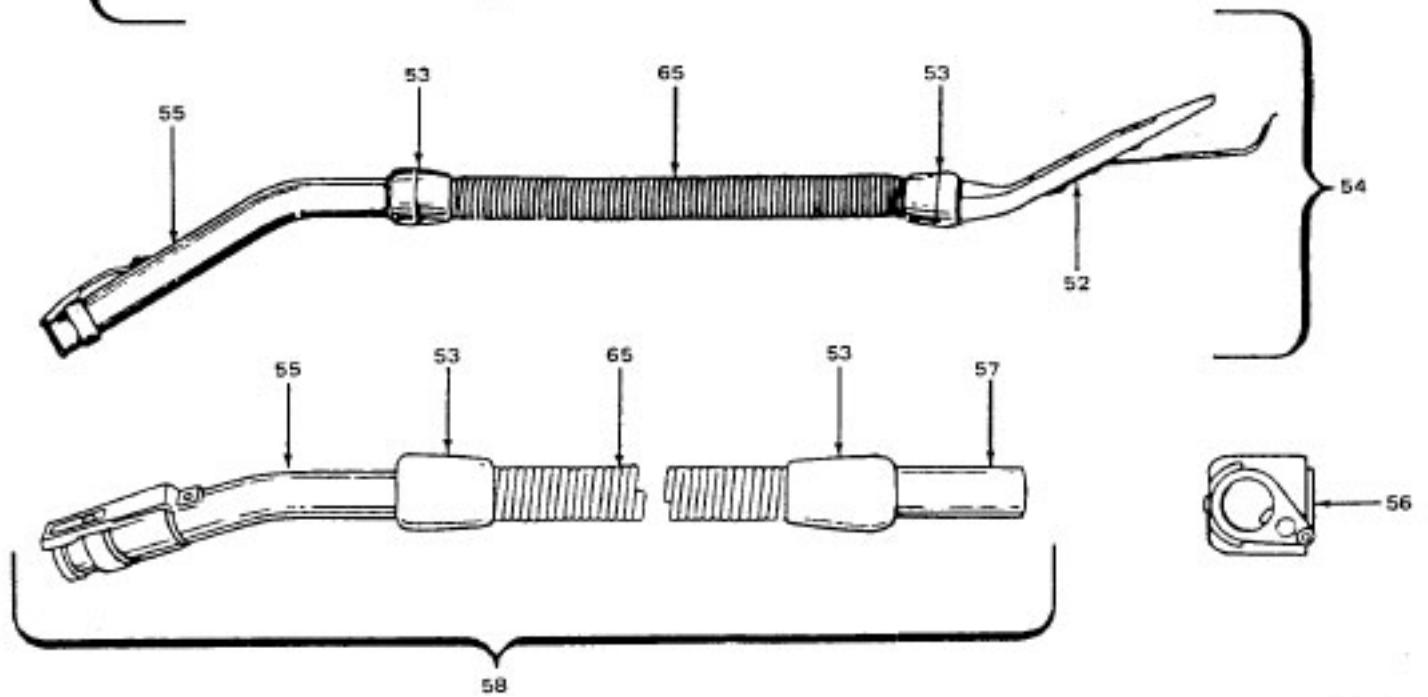
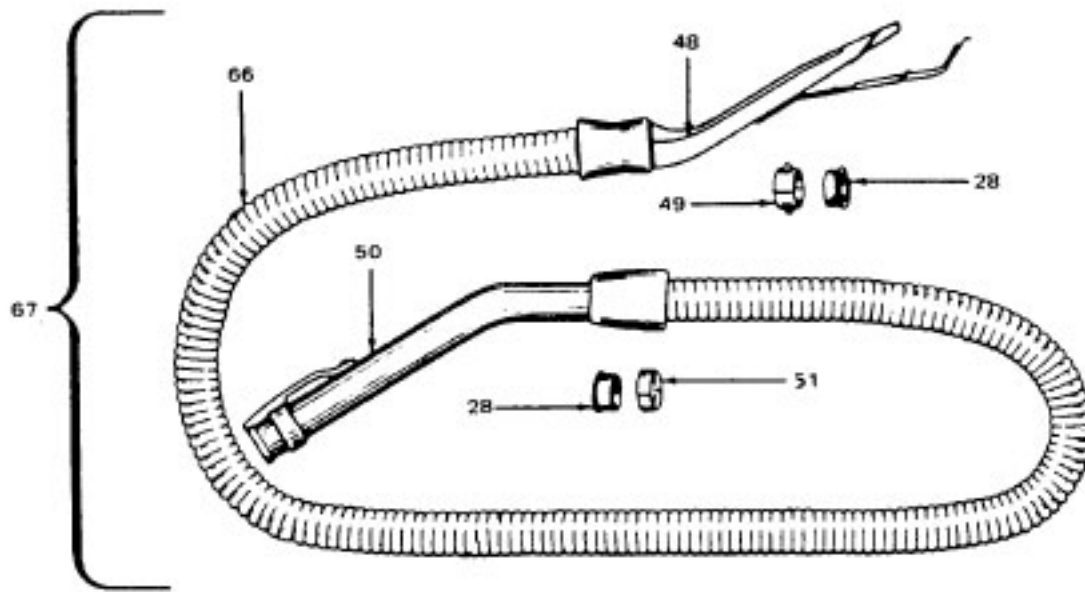
Ref. No.	Part No.	Description
1	161852JM 43414016	Furniture Brush Furniture Brush - AG
2	13149JM	Nozzle Connector Tube (Use w/ 161852JM)
3	13254BZ	Furniture Brush Back (Use w/161852JM)
4	161851JM 43414064 43414145 13263BZ	Dusting Brush Comp. Dusting Brush (One Piece) (Std Fit) Dusting Brush - Friction Brush (Use w/ 61851 JM)
6	13154JM  38644040	Floor Brush Swivel & Collar (Use w/13077JM) Swivel Connector (Use w/43414073)
7	13276  33712007	Floor Brush Swivel Bushing (Use w/13154JM) Split Ring (Use w/38644040)
8	13155JM  13077JM 43414073 43414135	Floor Brush Nozzle & Brush (Use w/ 13077JM) Floor Brush Floor Brush - (Standard Fit) Floor Brush - AAP (Friction Fit)
10	43414057 38614029	Furniture Nozzle - (Standard Fit) Furniture Nozzle - AG - (Friction Fit)
11	38617017 38617024	Crevice Tool - AG - (Standard Fit) Crevice Tool
12	43453027	Extension Tube (Standard Fit)
13	12845JM	Gasket
14	43466040	Ext. Tube - Curved (Short) (Std. Fit)
15	34207AG	Handle Control Foot Pad
16	33126001	Latch - AW
17	38311006	Spring
18	161549	Washer
19	34121001	Pad - Felt
20	43482097	Converter Body Assem.
21	34253003	Seal - End
22	38452026	Latch Lever
23	34113005	Seal - Side
24	43482097	Converter Body Assem. Conversion - (Standard & Friction Fit)
25	58544004	Cleaning Tool Bag
26	32288007  32288003  32288004	Hose Connector (Use w/Continuous Convolution Hose) - (Standard Fit) Hose Connector - JM (Use w/Circular Ribbed Hose) - (Standard Fit) Hose Connector - AAP (Use /Circular Ribbed Hose) - (Std. & Friction Fit)
27	43434203 38671001  38671028  38671030	Hose Complete - AAP Hose Less Ends - JM (Circular Ribbed) - (Std. Fit Ends) Hose Less Ends - AAP (Circular Ribbed) - (Std. Fit Ends) Hose Less Ends (Circular Ribbed) - (Friction Fit Ends)
28	32156010	Hose Sleeve - (Standard Fit Hose)
29	36116006  36171025	Hose Connector Collar (Use w/ Continuous Convolution Hose) (Standard Fit Hose) Hose Connector Collar (Use w/Circular Ribbed Hose) - (Standard Fit Hose)

## Convertible

Ref. No.	Part No.	Description
30	43466044	Hose Connector Curved w/Rings-AAP (Use w/Continuous Convolution Hose) (Std. Fit)
	43466055	Hose Connector Curved w/Latch Ring- JM (w/o Suction Regulator) (Use w/ Circular Ribbed Hose) - (Standard Fit)
	43466058	Hose Connector Curved w/Latch Ring AAP (w/o Suction Regulator) - Use w/Circular Ribbed Hose - (Std. Fit)
	39454059	Hose Connector - AAP -
31	38711006	Suction Control Ring - (Standard)
32	51869006	Hose Connector Label - (Standard)
33	36153009	Latch Ring - MV - (Standard)
34	43434203	Hose Comp. - Front Conversion (Continuous Convolution) (w/o Suction Regulator) - (Standard Fit)
	43434209	Hose Comp. - Front Conversion - JM (Circular Ribbed) (w/o Suction Regulator) - (Standard Fit)
	43434210	Hose Comp. - Front Conversion - AAP (Circular Ribbed w/o Suction Regulator) (Standard Fit)
	43434225	Hose Comp. - AAP - (Friction Fit)
35	12846AG	Tube Latch
36	12772	Rivet
37	12783	Rivet
38	12763AW	Rivet
39	12824	Reinforcement Plate
40	12600	Rivet
41	21312704	Washer
42	36152018	Tube Latch - Outer
43	12597	Extension Tube - Outer
44	12589	Extension Tube Guide
45	12844JM	Gasket - Inner
46	12598	Extension Tube - Inner
47	43458001	Extension Tube - (Standard Fit)
48	3863801P 38634078	Extension Tube - Poly - AG Extension Tube (Polystyrene) - AAP - (Friction Fit)

Standard Fit Tools ... w/Retention Pin

Friction Fit Tools ... w/o Retention Pin



## Cleaning Tools

Ref. No.	Part No.	Description
48	13147JM	Converter (Std. - Rear Conversion)
49	12615BZ	Hose Converter Collar
50	43466044	Hose Grip - AAP - SC
51	12704BZ	Hose Grip Collar
52	23473JM	Converter (Except 63, 64) (Use w/ Hose 48617)
53	23393JM	Hose Grip
54	12864JM	Hose Comp. - Ultraflex (Equipped w/Converter 23473)
55	13143	Hose Tube Curved
56	43452503	Converter - 1330, 1348, 1348-002
57	17959A	Hose Connector Tube - 1330 (Metal)
	641398LL	Hose Connector Tube - 1348, 1348-002 (Plastic)
58	19633JM	Hose Comp. - Ultraflex - 1330, 1340, 1348, 1348-002
59	22671JM	Hose Comp. - Ultraflex (Commercial) Use w/Converter 34202 or 35190)
	23007A	Hose Comp. - Ultraflex (Use w/Converter 35447)

## Convertible

Ref. No.	Part No.	Description
60	34083	Hose End - 14, 63, 64
	34355	Hose End Short (Commercial)
61	34984A	Blower (Use w/Hose 22671)
62	35447	Converter - Special - 63, 64
63	35190	Converter (Use w/Hose 22671)
64	34202JM	Converter (Use w/Hose 22671)
65	48617JM	Hose Less Ends
66	43434213	Hose Less Ends
67	12864JM	Hose Assem. Comp. - Tufflex (Std. Rear Conversion)

### ITEMS NOT ILLUSTRATED

161728	Turbine Roto - Power Brush
169460JM	Ultraflex Hose - 50' length
43431011	Tufflex Hose - 50' length