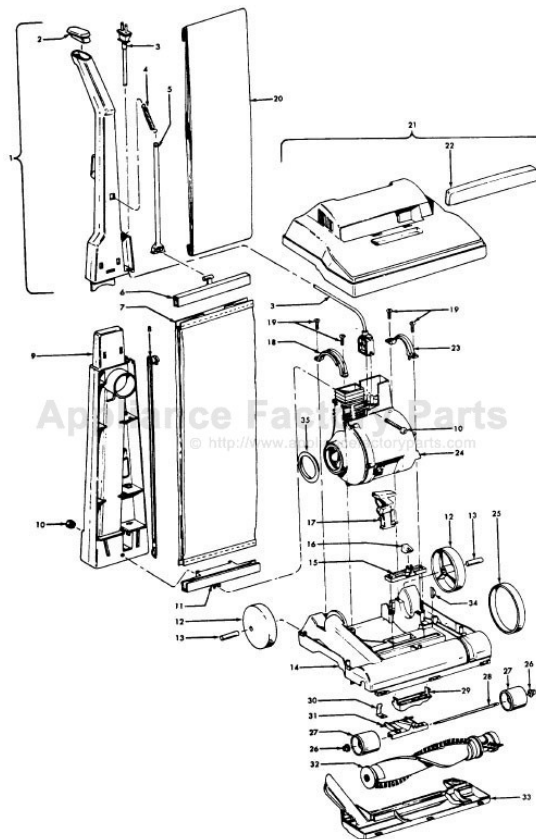


This Owner's Manual is provided and hosted by [Appliance Factory Parts](http://www.ApplianceFactoryParts.com).



HOOVER U4481 Owner's Manual

[Shop genuine replacement parts for HOOVER U4481](#)

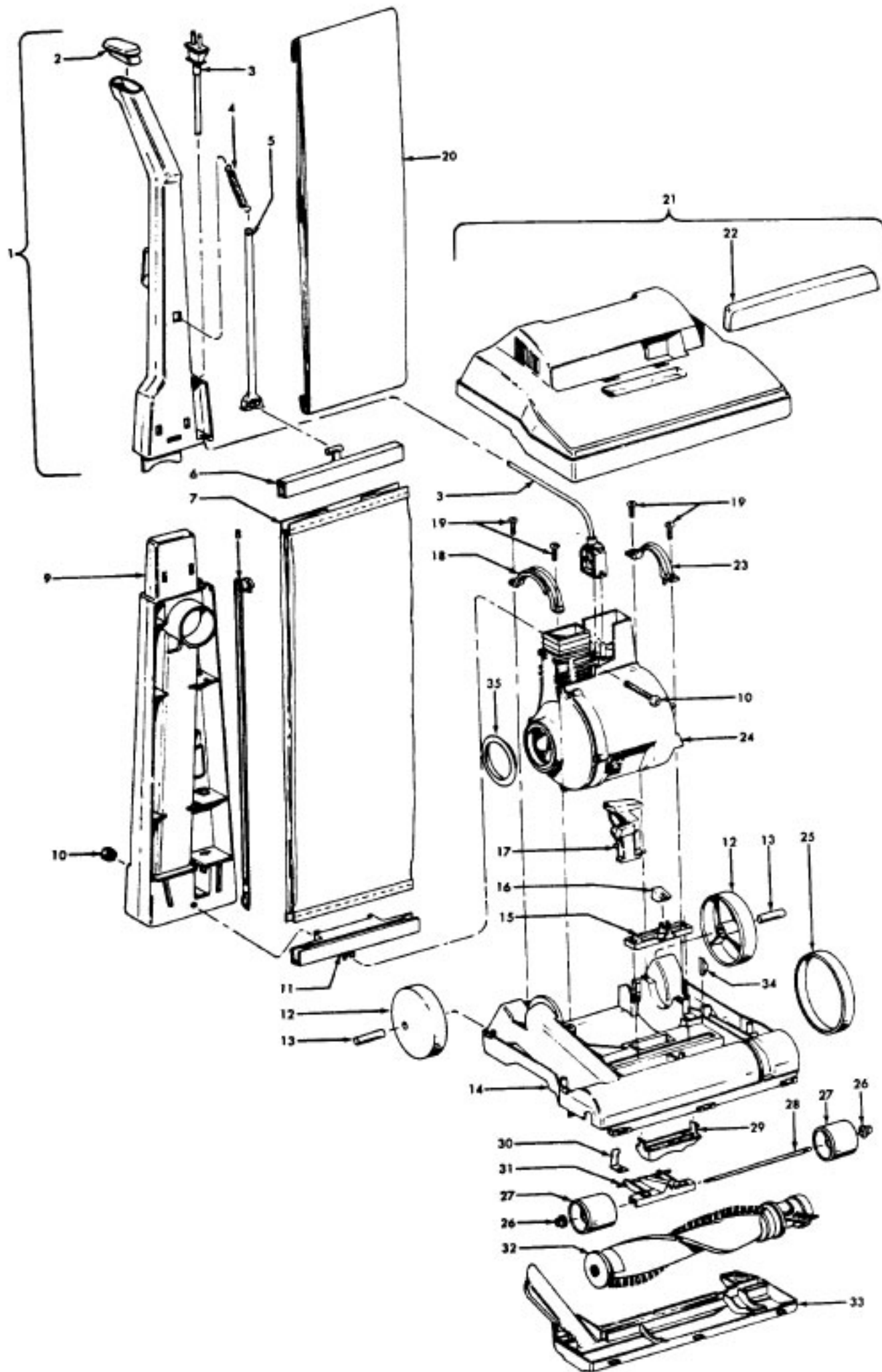


[Find Your HOOVER Vacuum Cleaner Parts - Select From 1456 Models](#)

----- Manual continues below part list -----

Available Replacement Parts for HOOVER U4481

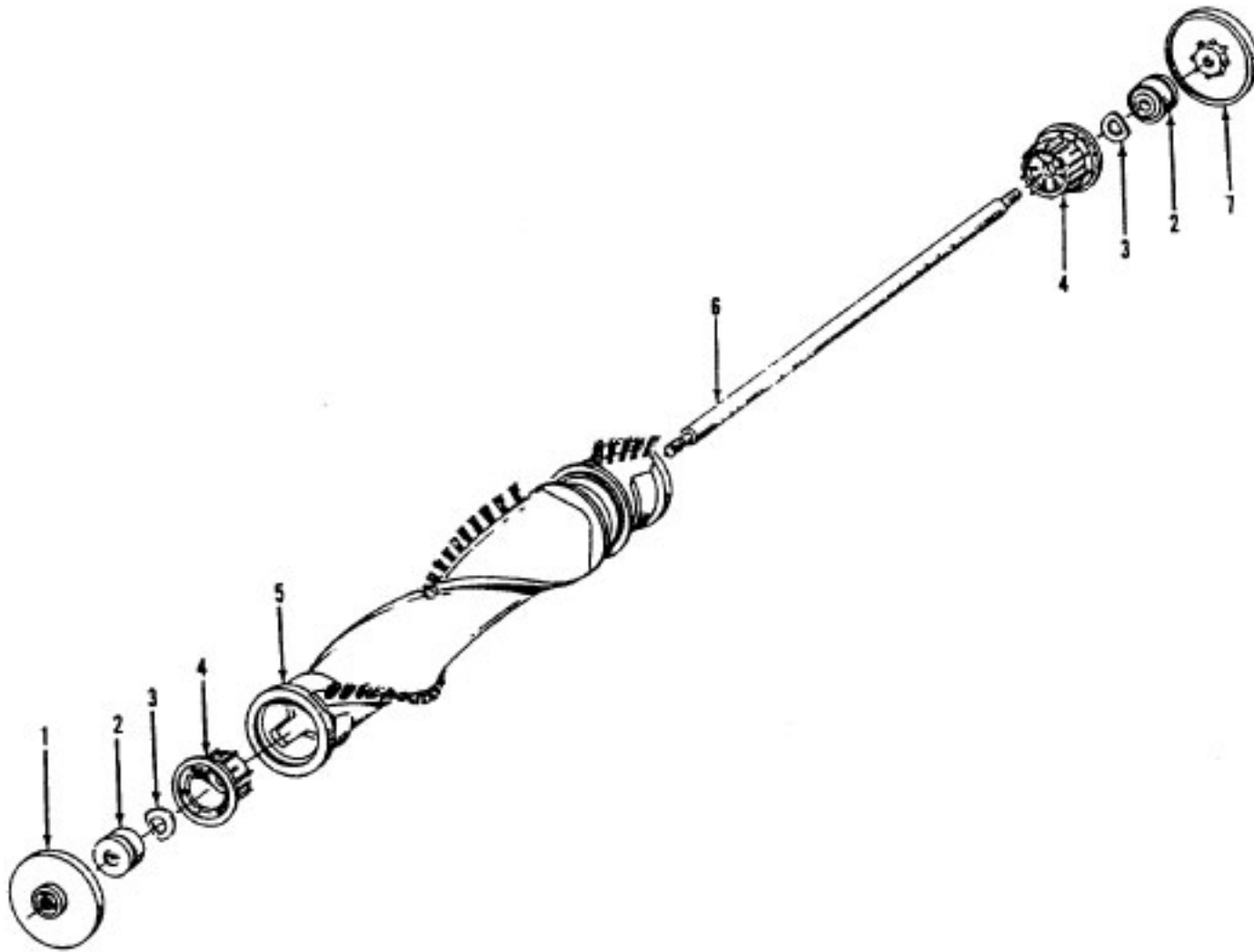
| | |
|----------------------------|---------------------------------|
| H-38528040 | BELT VACUUM HOOVER OEM (1 PACK) |
| 48414036 | HOOVER ELITE BRUSH ROLLER |
| H-4010001A | VACUUM BAG OEM HOOVER 3 PACK |
| H-43267002 | AGITATOR BEARING ASM |
| H-43414073 | Floor brush. |
| H-43414064 | DUSTING BRUSH (ONE PEICE) |
| HR-5000 | EXTENSION TUBE |



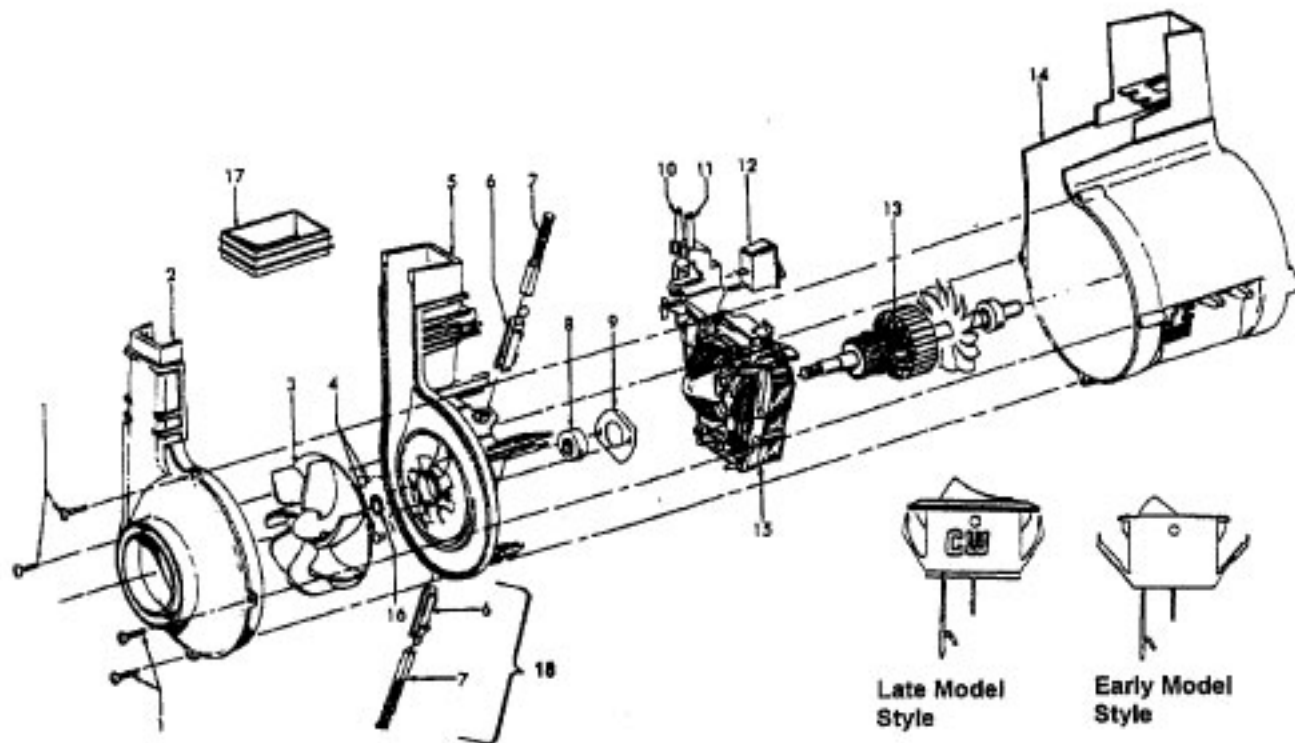
Elite

Models U4457-9, U4469, U4481, U4723

| Ref. No. | Part No. | Description | Ref. No. | Part No. | Description |
|----------|----------|--|-----------------------|----------|---------------------------------------|
| 1 | 48663142 | Upper Handle Assem. | 22 | 37246087 | Panel - NAA |
| 2 | 37911079 | Handle Cap - MW | | 37246112 | Panel - MD - U4469 |
| 3 | 46388027 | Attachment Cord | | 37246115 | Panel - MV - U4481 |
| 4 | 38335020 | Bag Strap Spring - AY | 23 | 36131090 | Motor Retainer Cap - LH - KE |
| 5 | 36425071 | Bag Strap - ABE | 24 | 43576141 | Motor Assem. - (P - 201) |
| 6 | 36425067 | Jacket Support - Upper - MW | 25 | 38528027 | Belt |
| 7 | 43674191 | Outer Jacket - AAP/MN- Common | 26 | 36131056 | Wheel Retainer - BZ (2) |
| 8 | 38456036 | Switch Control Rod - AG | 27 | 43248059 | Wheel - AG (2) |
| 9 | 39464005 | Lower Handle - MW | 28 | 32563012 | Wheel Shaft - AY (Use 43248054) |
| 10 | 40201085 | Nut & Bolt Assem. | 29 | 38563011 | Nozzle Height Adj. Cam - KF: |
| 11 | 36425068 | Jacket Support - Lower - MW | 30 | 34572002 | Cam Actuator Spring - FW |
| 12 | 38522011 | Wheel - Rear - AG (2) | 31 | 43248059 | Front Wheel Assem. (Incl. It. 27, 28) |
| 13 | 31523012 | Wheel Shaft (2) | 32 | 48414079 | Agitator Assem. Comp. - AG - (P-203) |
| 14 | 42242270 | Main Body Assem. - AG (Incl. Items 17 & 34) | 33 | 37245017 | Bottom Plate |
| 15 | 38567008 | Cam Actuator - KE | 34 | 13261AY | Rug Nozzle Rib Shoe |
| 16 | 38421070 | Indicator Knob - ABE - U4469, U4481 | 35 | 36784016 | Seal |
| 17 | 38458022 | Handle Release Lever - AG | ITEMS NOT ILLUSTRATED | | |
| 18 | 36131057 | Motor Retainer Cap - RH - KE | | 3944201P | Cord Wrap |
| 19 | 21447217 | Screw - Self Tapping (4) | | 56511334 | Owner Manual - Early Models |
| 20 | 4010001A | Throw-Away Bag - 3 Pk. | | 56511347 | Owner Manual - Late Models |
| 21 | 42252129 | Hood Assem. - AAS | | 58185184 | Carton - Common |
| | 42252155 | Hood Assem. - MR - U4469 | | 58346004 | Front Support |
| | 42252148 | Hood Assem. - AAP - U4481 | | 58353009 | Rear Support |
| | 42252212 | Hood Assem. - AAS - U4723 | | | |



| Ref. No. | Part No. | Description |
|----------|----------|-----------------------------|
| | 48414079 | Agitator Assem. Comp. - AG |
| 1 | 36423016 | Thread Guard - RH |
| 2 | 43267002 | Agitator Bearing Assem. (2) |
| 3 | 21347003 | Conical Washer (2) |
| 4 | 36422022 | Agitator End (2) |
| 5 | N/A | Agitator Body |
| 6 | 32724013 | Agitator Shaft |
| 7 | 36423017 | Thread Guard - LH - AG |

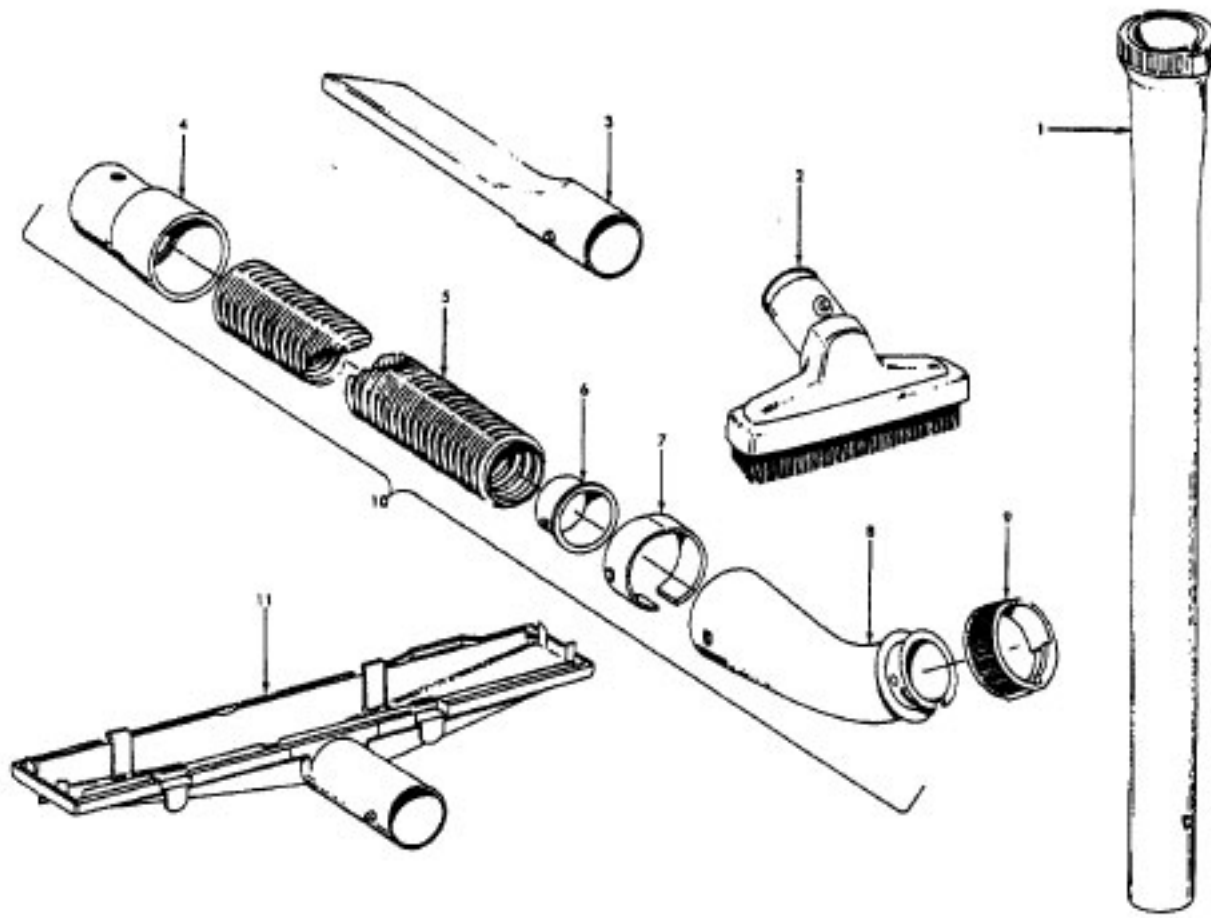


| Ref. No. | Part No. | Description |
|----------|----------|--|
| | 43576141 | Motor Assem. Comp. |
| 1 | N/A | Screw-Self Tapping (4) |
| 2 | 38736033 | Fan Chamber |
| 3 | 38755030 | Fan |
| 4 | N/A | Rivet-Semi Tubular (2) |
| 5 | N/A | Motor Housing Assem. |
| 6 | N/A | Motor Brush Holder (2) |
| 7 | N/A | Motor Brush Assem. (2) |
| 8 | N/A | Bearing |
| 9 | N/A | Bearing Retainer |
| 10 | 36914004 | Switch Bus Bar |
| 11 | 39116005 | Attachment Terminal |
| 12 | 28218043 | Switch Assem. - Early Models (Prior to 5/96) |
| | 28161062 | Switch Assem. - Late Models (After 5/96) |
| 13 | N/A | Armature/Bearing Assem. |
| 14 | 37194046 | Motor End Cap Assem. |
| 15 | N/A | Field Assem. |
| 16 | 21312793 | Washer |
| 17 | 38783020 | Duct Seal |
| 18 | 41311016 | Motor Brush Holder Assem. - |

ITEMS NOT ILLUSTRATED

| | |
|----------|--|
| 38781013 | Duct Seal (8 1/2" Long adhesive backed foam seal used on early models in place of item 17) |
| 54821001 | Tape (Roll) |

Cleaning Tools - Elite Cleaners



Standard Fit Tools (w/Retention Pin) (Shown)

| Ref. No. | Part No. | Description |
|----------|----------|---|
| 1 | 3863801P | Extension Tube - Poly - AG |
| 2 | 43414016 | Furniture Brush - AG |
| 3 | 38617017 | Crevice Tool - AG |
| 4 | 32288004 | Hose Connector - AAP |
| 5 | 38671028 | Hose - Less Ends - AAP |
| 6 | 32158010 | Hose Sleeve |
| 7 | 36171025 | Hose Connector Collar |
| 8 | 43466058 | Hose Connector - Curved - AAP (Incl. Item 9) |
| 9 | 36153009 | Latch Ring |
| 10 | 43434210 | Hose Comp. |
| 11 | 38656016 | Converter Body - AAP |
| | 43414057 | Furniture Nozzle - AG |
| | 43414064 | Dusting Brush - AG |
| | 43414073 | Wall/Floor Brush - AG |

Friction Fit Tools (w/o Retention Pin)

| |
|----------------------|
| 38634078 |
| Not Available |
| 38617024 |
| 32288004 |
| 38671030 |
| Not Available |
| Not Available |
| 39454059 (Hand Grip) |
| Not Available |
| Not Available |
| 38656016 |
| 38614029 |
| 43414145 |
| 43414135 |