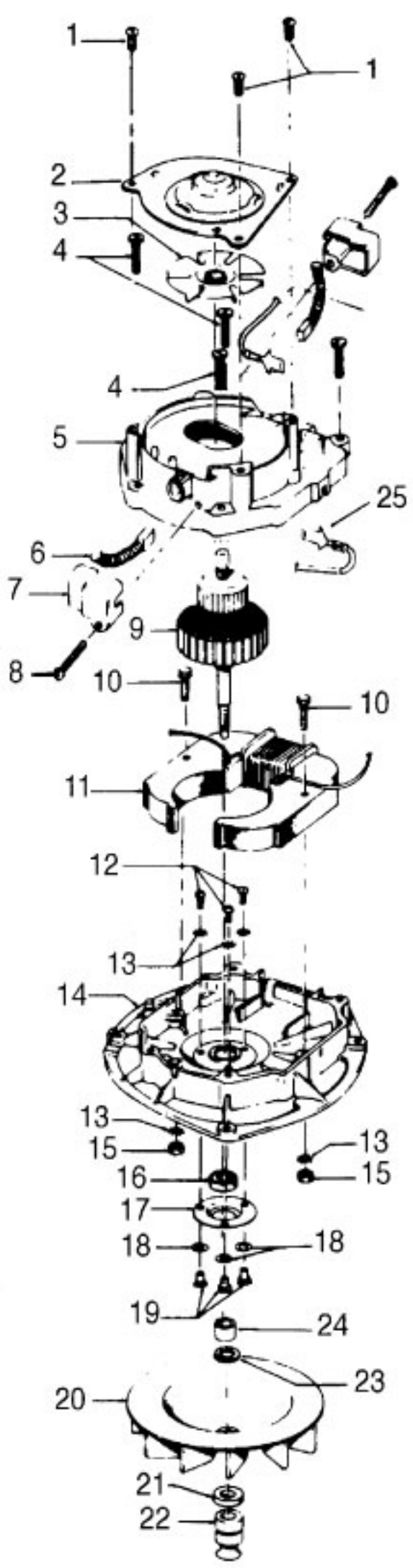


**Model Number: U4497-9**  
**BOM/Serial #: U4497-9**  
**Graphic Title: HANDLE, MAINBODY, OUTERBAG, HOOD**

Image	Key	Part Number	Description	Substitution	Qty.
1	1	43678333	OUTER BAG COMP-DECAD		1
1	1	43678325	OUTER BAG COMPL-U449		1
1	2	38336014	SUPPORT SPRING		1
1	3	43686020	OUTER BAG - U4497-9		1
1	3	43677322	OUTER BAG-COM-TOP FI		1
1	4	015854EF	NUT		1
1	5	21765159	SCREW		1
1	7	38452051	NOZ ADJ LEVER-AG-4 P		1
1	8	38313023	MOTOR LEAD SPRING		1
1	9	39442030	CORD CLIP-AAP-U4519		1
1	10	21465312	SCREW-SELF TAPPING		2
1	11	34777012	BAIL COVER PLATE-AY		1
1	12	32277008	HANDLE CLAMP NUT		2
1	13	46522008	CAP HOUSING/TUBING A		1
1	14	46526012	HANDLE SOCKET ASSM C		1
1	15	41424011	BAG FLANGE W/SEALANT		1
1	16	38673001	BELLOWS - AG		1
1	19	48631162	HANDLE-LOWER-AAP-U44		1
1	19	48631021	HANDLE-LOWER HALF-KS		1
1	20	38657004	TOP FILL TUBE		1
1	21	4010001A	TOP FILL UPR BAG - <del>3PK</del>		1
1	22	39442001	BAG SUPPORT - <del>JM</del>		1
1	23	166735EF	SCREW - S3005		1
1	24	012227--	TERMINALS-0513		3
1	25	46363242	ATTACHMENT CORD		1
1	26	38421012	SWITCH BUTTON		1
1	27	37258015	SWITCH COVER-KT-U415		1
1	28	28179013	SWITCH - U4219		1
1	29	27666702	TERMINAL		3
1	30	48663121	HANDLE GRIP - KE - U	39454060	1
1	30	39454060	HANDLE GRIP ASSEM-CO		1
1	31	51663003	HANDLE GRIP NAMEPLAT		1
1	31	52115149	NAMEPLATE - U4505		1
1	32	48631013	HANDLE-UPPER HALF-KS		1
1	32	48631014	HANDLE-UPPER-AAP-U44		1

Image	Key	Part Number	Description	Substitution	Qty.
1	33	21631301	HANDLE CLAMP BOLT		2
1	34	48655125	HANDLE ASSM COMP-AAP		1
1	35	27479307	CABLE TIE		3
1	36	38456050	HDL CONT LEVER		1
1	37	38426080	FOOT PAD-AG -C1E03		1
1	38	41416056	BAIL ASSEMBLY - AAP		1
1	39	011735--	HANDLE CONT ROL PIN	12002663	1
1	40	047450AY	PIVOT PIN		1
1	41	048409FW	SPRING		1
1	42	019907--	BAG FLANGE CLAMP LEVER		1
1	43	013730--	LOCK RING		4
1	44	161509AY	BAIL SHAFT		1
1	45	43263005	CAM FOLLOWER-PLASTIC		1
1	46	34252005	YOKE		1
1	47	33152003	REAR WHEEL SHAFT		1
1	48	161513--	SPRING		1
1	49	21312772	WASHER		3
1	50	38521016	REAR WHEEL-AG		2
1	51	32182001	WHEEL RETAINER		2
1	52	27479307	CABLE TIE		2
1	53	012559FW	SPRING-1060		1
1	54	012227--	TERMINALS-0513		1
1	55	34287022	MOTOR BAFFLE-U4383		1
1	57	34312011	RETAINER		1
1	58	21447020	SCREW		6
1	59	12997AW-	RIVET	012997AW	2
1	60	168278AY	WASHER		2
1	62	42251308	HOOD ASSEM-AAM-U4497		1
1	62	42251306	HOOD ASSEMBLY - HR -		1
1	63	39383086	LENS-C1K01		1
1	64	52115139	NAMEPLATE - U4453-9		1
1	64	52115148	NAMEPLATE - U4497-9		1
1	65	168497JM	FURNITURE GUARD-U4P1		1
1	65	36231137	FURNITURE GUARD-AAP-		1
1	66	017001FW	SCREW		1
1	67	27313101	LAMP		1
1	68	36912004	LAMP SOCKET-L.V.		1
1	69	045517--	WIRE HOLDER		1

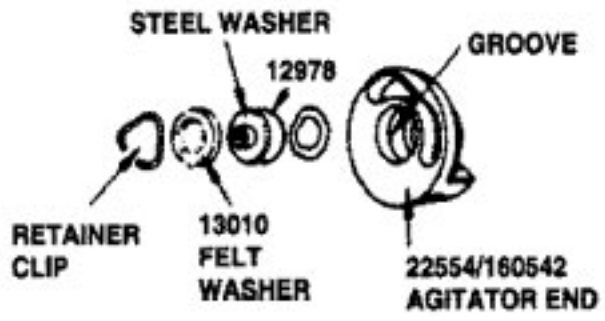
Image	Key	Part Number	Description	Substitution	Qty.
1	70	43574183	MOTOR ASSEM. COMPLET		1
1	71	21447003	SCREW		1
1	72	34665007	PIVOT PIN RETAINER		1
1	73	34311003	VENT ENCLOSURE		1
1	74	38522013	CARRIER WHEEL-AG		2
1	75	047457AY	FRONTWHEEL SHAFT		2
1	76	048422--	RIVET		2
1	77	42242230	MAIN BODY ASSM-KE-U4		1
1	77	42242225	MAIN BODY ASSEM - AG		1
1	78	21312781	SUPPORT WASHER-UPRIG		2
1	79	34784021	AGITATOR RETAINING S		2
1	80	012138FW	BOTTOM PLATE SPRING		1
1	81	012503EF	RIVET-SEMI TUBULAR		1
1	82	21312703	WASHER		1
1	83	41435005	AGITATOR ASSEM COMP-	<b>48414003</b>	1
1	84	44783AG-	BELT	<b>44788AG</b>	1
1	85	34111001	SUPPORT PAD		2
1	86	42246008	BOTTOM PLATE COMPLET		1
1	86	37245081	BOTTOM PLATE - PLAST		1
1	87	36153006	LATCH-C1K01		1
1	88	21447203	SCREW-S2095/97/99		2
1	89	36153006	LATCH-C1K01		1
1	90	21447009	SCREW		2
1	91	35434040	AXLE/BAG FLANGE <b>RETAINER</b>		1
1	93	45533AY-	SCREW		1
1	94	37959057	BAG COVER <b>KE U44</b>		1
1	95	37959095	HANGER-U3721/29		1
1	96	58366012	REAR SUPPORT - U4391		1
1	96	56511132	OWNER MANUAL - U4303		1
1	96	56511295	OWNER MANUAL - U4497		1
1	96	58343025	FRONT SUPPORT-C1067		1



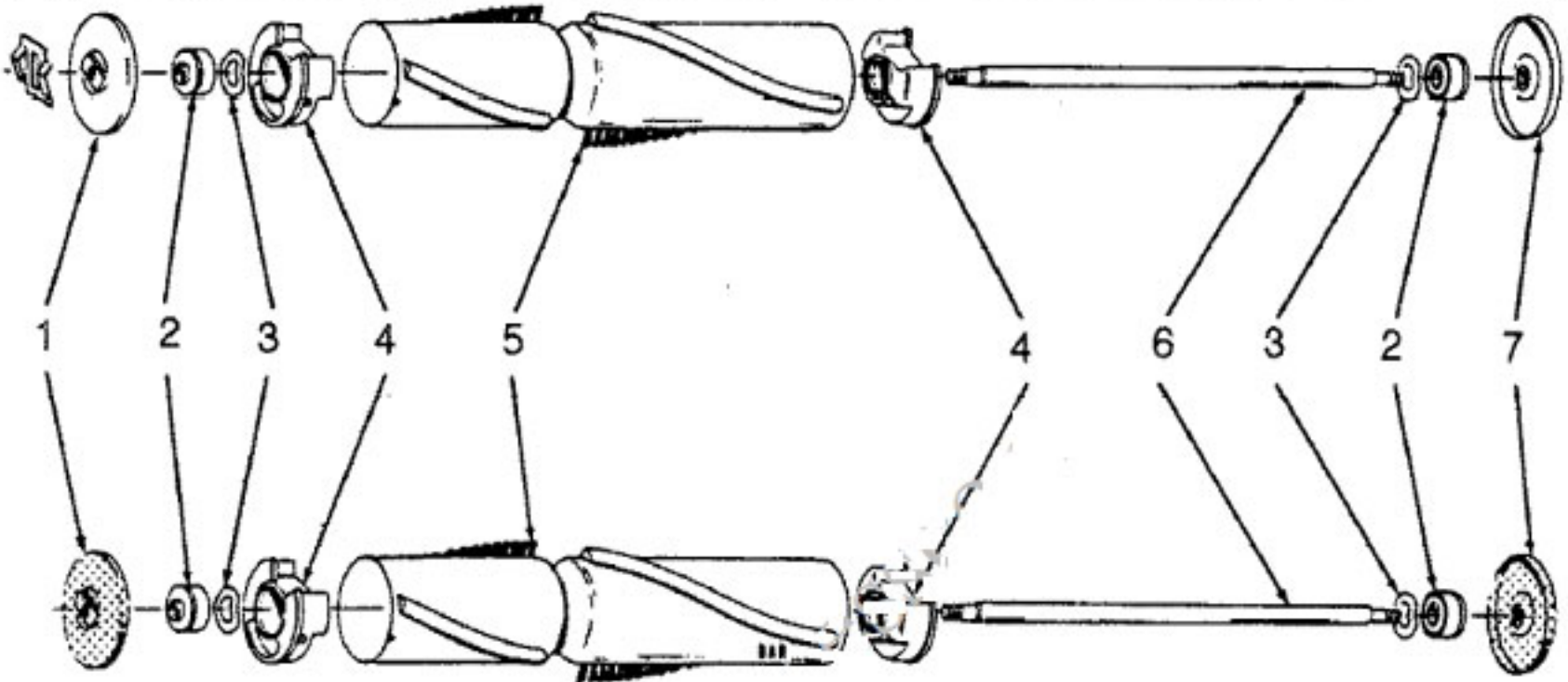
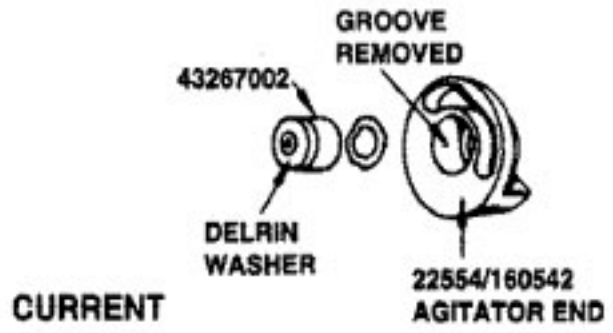
**Model Number: U4497-9**  
**BOM/Serial #: U4497-9**  
**Graphic Title: MOTOR ASSEMBLY**

Image	Key	Part Number	Description	Substitution	Qty.
1	1	45533AY-	SCREW		3
1	2	42934002	UPPER MOTOR BEARING		1
1	3	38755005	VENT FAN-PLASTIC-U44		1
1	3	38755004	VENTILATING FAN-U415		1
1	4	161535--	SCREW		4
1	5	019857--	UPPER MOTOR CASING		1
1	5	42195003	UPPER MOTOR CASING-U		1
1	6	47318012	MOTOR BRUSH		2
1	7	36315003	BRUSH CAP - U4313		2
1	8	046930AZ	SCREW		1
1	9	44765085	ARMATURE-8MM		1
1	10	045118--	FIELD BOLT		2
1	11	45412015	FIELD COIL		1
1	11	45421015	FIELD-U4361		1
1	12	21772501	SCREW		3
1	13	014062--	LOCK WASHER		5
1	14	42193006	Motor Case LH		1
1	15	015673--	NUT HEX 5140		2
1	16	43267006	BEARING ASSEM COMP-8		1
1	16	24152807	MOTOR BEARING - 8MM		1
1	17	32184003	BEARING RETAINER-8MM		1
1	18	019772--	WASHER-LOCK-843		3
1	19	045251--	NUT		3
1	20	38755011	FAN		1
1	21	31162004	WASHER-HEAT INSULATI		1
1	22	38532015	MOTOR PULLEY - U4479		1
1	22	38532009	MOTOR PULLEY-HEAT IN	38532005	1
1	23	166563--	WASHER		1
1	24	31731006	SPACER-U4405		1
1	25	43574133	MOTOR		1
1	25	43574183	MOTOR ASSEM. COMPLET		1
1	25	014320--	TERMINAL 1060		1
1	26	40300014	ARMATURE-SPACER/SPLI		1

**Bearing Assm. 12978  
and Related Components**



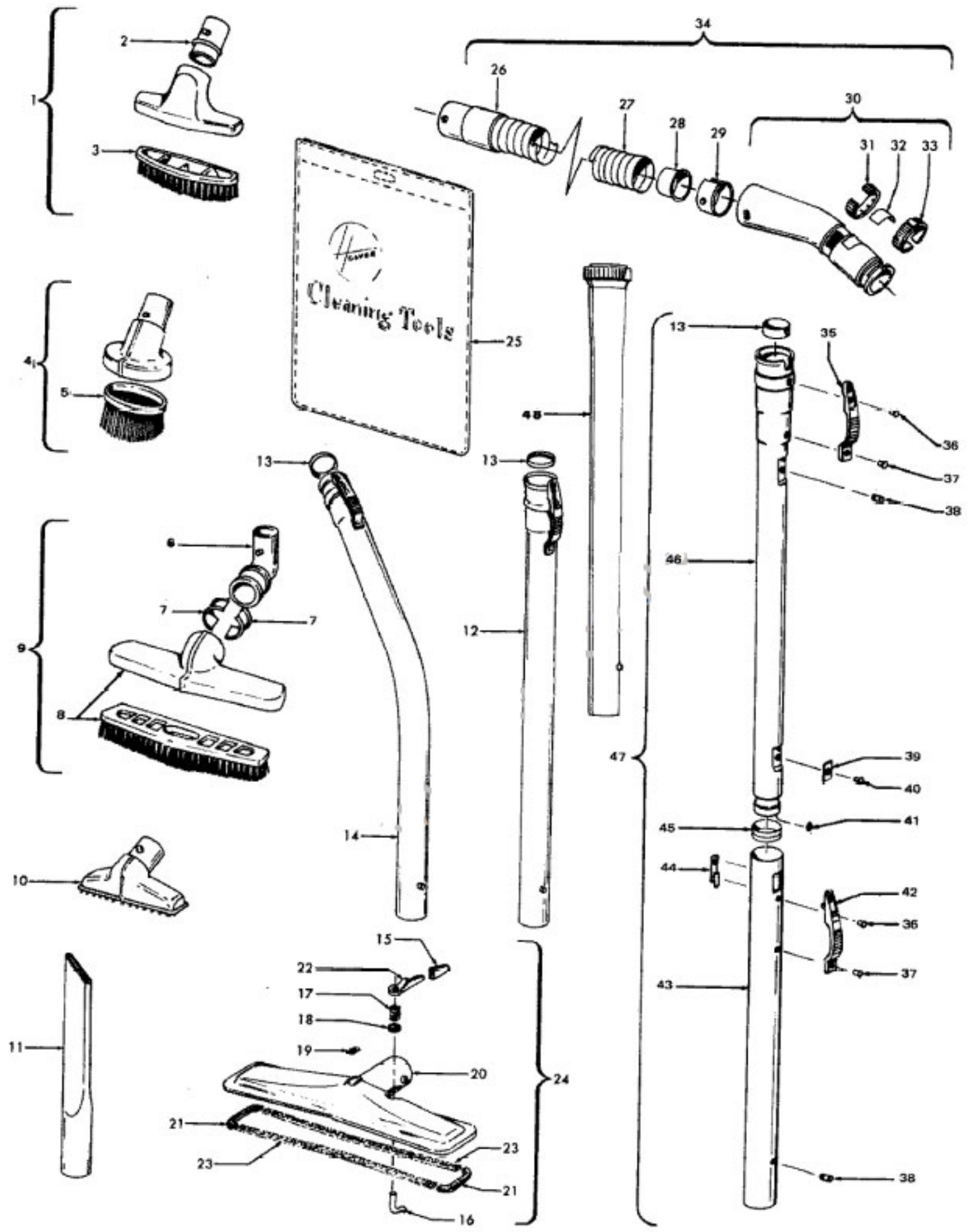
**Bearing Assm. 43267002  
and Related Components**



**Model Number: U4497-9**  
**BOM/Serial #: U4497-9**  
**Graphic Title: AGITATOR**

Image	Key	Part Number	Description	Substitution	Qty.
1	1	36423003	THREAD GUARD-LH	049180--	1
1	1	049180--	THREAD GUARD & SP -		1
1	2	43267002	AGITATOR BEARING ASM		1
1	3	21347003	CONICAL WASHER		1
1	4	022554--	AGITATOR END 65		1
1	4	160542--	AGITATOR END		1
1	4	41435070	AGITATOR END ASSEMBL		1
1	5	012998BZ	AGITATOR BRUSH-NYLON		1
1	5	160646BZ	AGITATOR BRUSH REVER		1
1	5	48445001	AGITATOR BRUSH BACK		1
1	6	012981--	AGITATOR SHAFT	32724008	1
1	6	32724008	AGITATOR SHAFT		1
1	7	12985AY-	THREAD GUARD RH	012985AY	1
1	7	36423007	THREAD GUARD-RH	012985AY	1
1	10	44783AG-	BELT	044783AG	1
1	10	049258AG	BELT-CONVERTIBLE		1
1	11	41435005	AGITATOR ASSEM COMP-	48414003	1
1	11	169371MF	AGITATOR COMPLETE-CT		1
1	11	48414006	AGITATOR ASSEMBLY CO	48414003	1
1	11	48414007	AGITATOR ASSEMBLY CO		1
1	12	48414002	AGITATOR - FOUR BRUS		1
1	12	48414003	4 BRUSH AGITATOR		1
1	13	48414021	AGITATOR ASSEMBLY CO		1

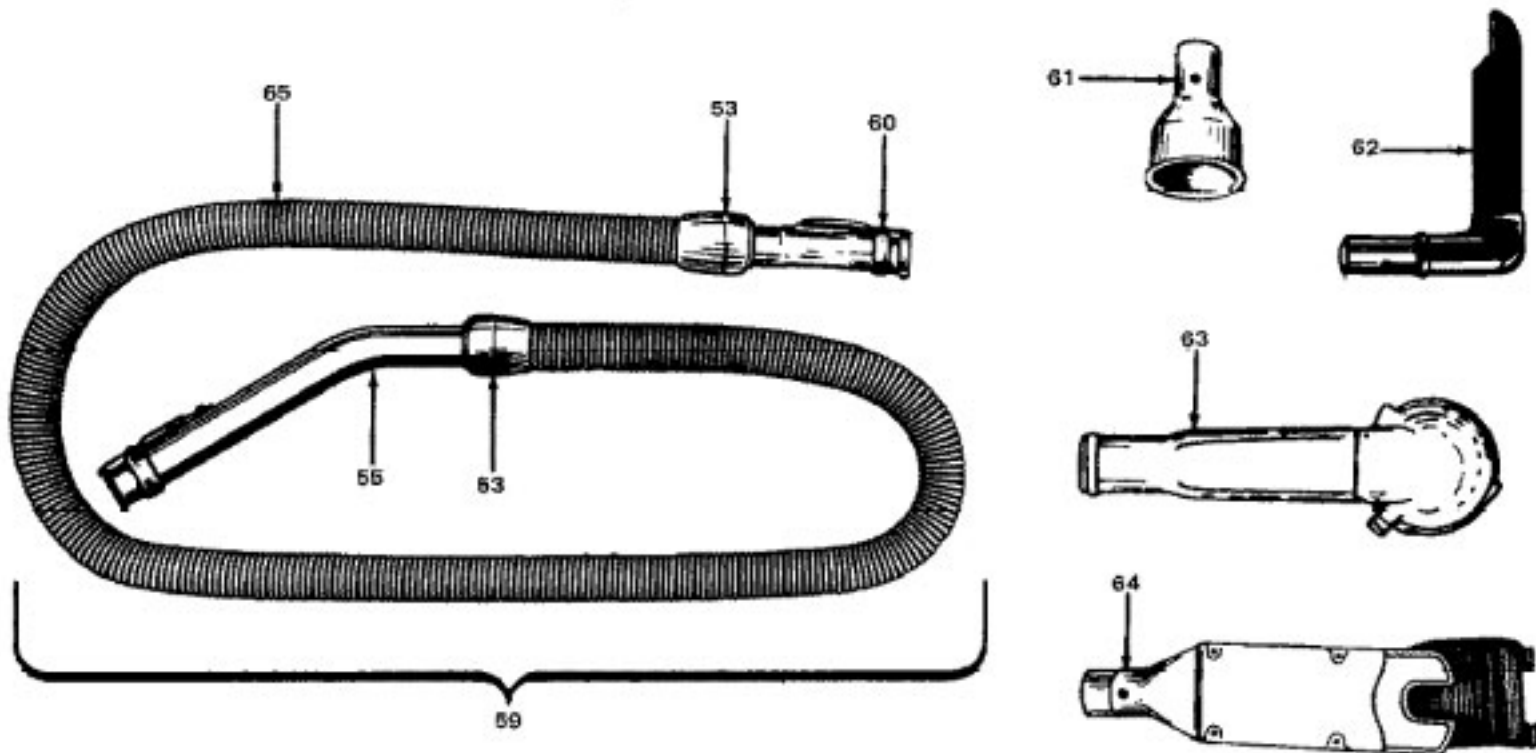
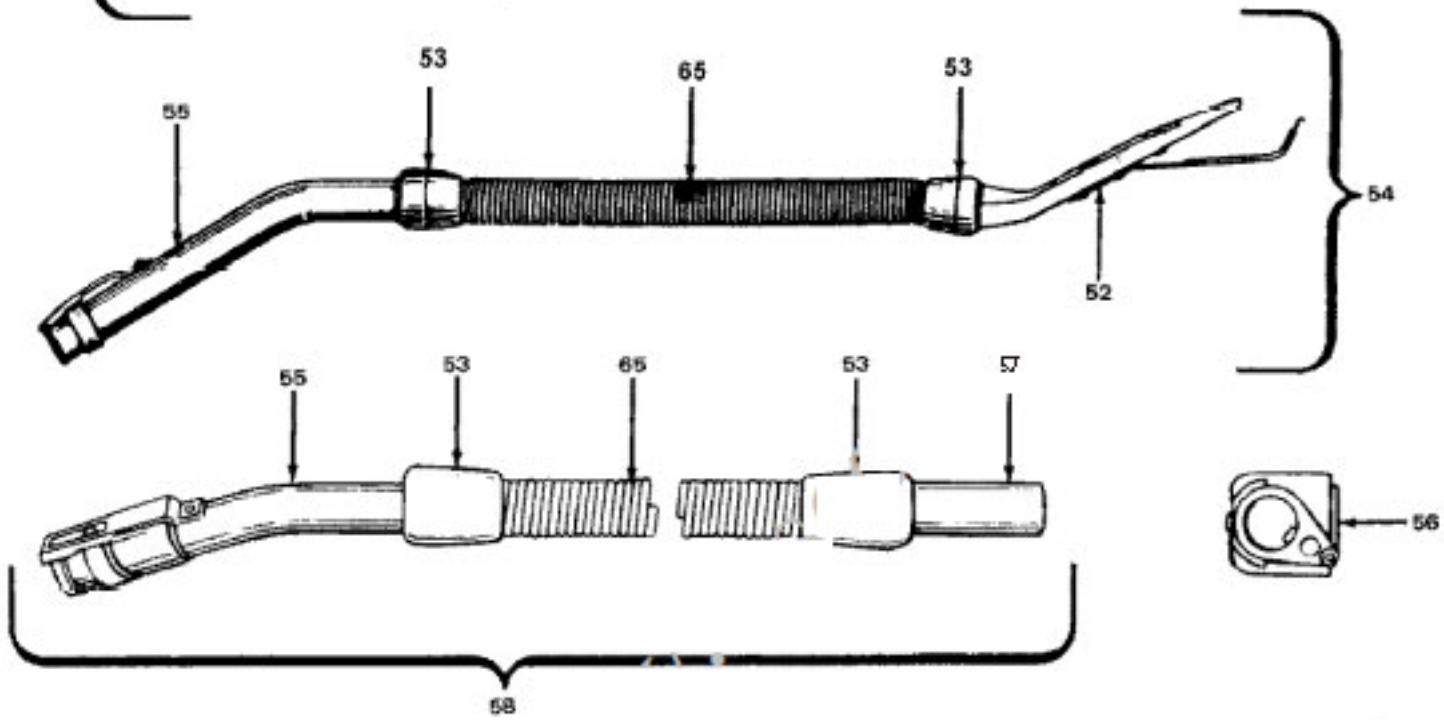
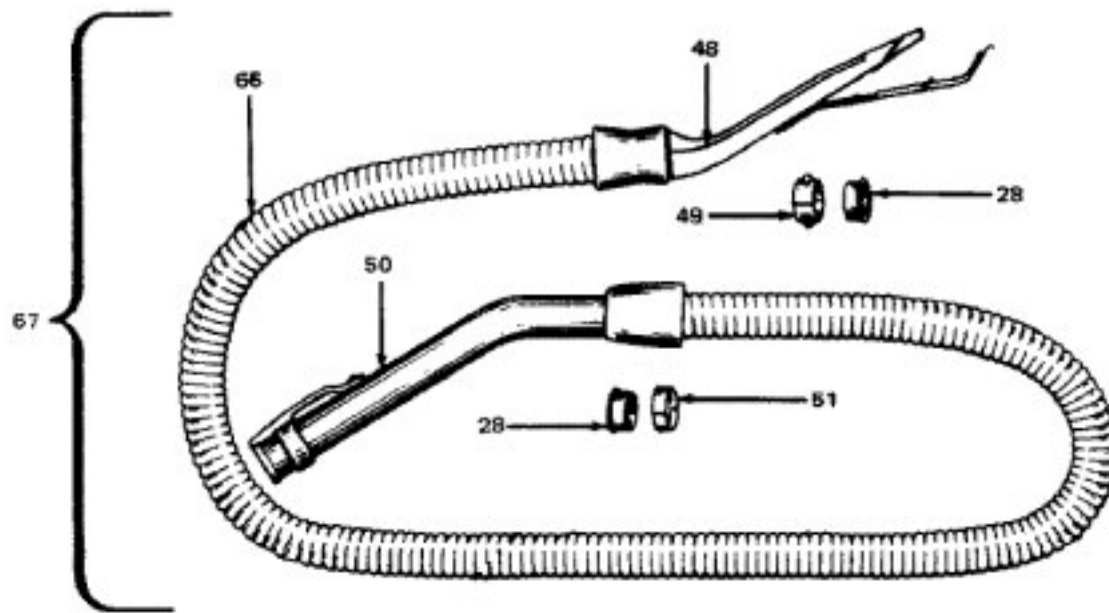




**Model Number: U4497-9**  
**BOM/Serial #: U4497-9**  
**Graphic Title: CLEANINGTOOLS**

Image	Key	Part Number	Description	Substitution	Qty.
1	1	43414016	FURNITURE BRUSH-AG		1
1	1	161852JM	FURNITURE BRUSH-S305	43414016	1
1	2	013149JM	NOZZLE CONNECTOR TUB		1
1	3	013254BZ	BRUSH BACK	43414016	1
1	4	161851JM	DUSTING BRUSH	43414064	1
1	4	43414064	DUSTING BRUSH-AG		1
1	4	43414145	DUSTING BRUSH		1
1	5	013263BZ	DUSTING BRUSH FACE		1
1	6	13154JM-	FLOOR BRUSH SWIVEL& COLLAR		1
1	6	38644020	SWIVEL CONNECTOR - A		1
1	7	33712007	SPLIT RING		1
1	7	013276--	FLOOR BRUSH SWIVEL B		1
1	8	013155JM	FLOOR BRUSH BACK & N	43414073	1
1	9	013077JM	FLOOR BRUSH	43414073	1
1	9	43414135	FLOOR BRUSH-AAP-FRIC	43414142	1
1	9	43414073	FLOOR BRUSH-AG-S3273		1
1	10	43414057	FURNITURE NOZZLE-AG-		1
1	10	38614029	FURNITURE NOZZLE-AG		1
1	11	38617017	CREVICE TOOL-AG -S32		1
1	11	38617024	CREVICE TOOL - AG		1
1	12	43453027	EXTENSION TUBE ASSEM		1
1	13	38784087	GASKET		1
1	14	43466040	HOSE TUBE ASSEM. - A		1
1	15	034207AG	FOOT PAD - F5047		1
1	16	33126001	LATCH-U4901-U4903		1
1	17	38311006	SPRING		1
1	18	161549--	WASHER		1
1	19	34121001	PADS-2910		1
1	20	43482097	CONVERTER BODY ASSEM		1
1	21	34253003	SEAL-END-U4901-U4903		1
1	22	38452026	LATCH LEVER-U4901-U4		1
1	23	34113005	SEAL-SIDE-U4901-U490		1
1	24	43482097	CONVERTER BODY ASSEM		1
1	25	58544004	TOOL BAG U3P03		1
1	26	32288003	HOSE CONNECTOR-BMH-J		1

Image	Key	Part Number	Description	Substitution	Qty.
1	26	32288007	HOSE CONNECTOR-SHORT		1
1	26	32288004	HOSE CONNECTOR-AAP-U		1
1	27	38671001	HOSE LESS ENDS MOLDE		1
1	27	38671030	HOSE LESS ENDS-AAP		1
1	27	43434203	HOSE ASSEM COMP - AA		1
1	27	38671028	HOSE LESS ENDS-AAP-U		1
1	28	32156010	HOSE SLEEVE - BZ		1
1	29	36171025	HOSE CONNECTOR COLLA		1
1	29	36116006	HOSE CONNECTOR COLLA		1
1	30	43466055	HOSE CONNECTOR CURVE		1
1	30	43466068	HOSE GRIP W/SC-AG-S1		1
1	30	43466058	HOSE CONNECTOR-CURVE		1
1	30	39454059	HAND GRIP		1
1	31	38711014	SUCTION CONTROL RING		1
1	32	51869006	HOSE CONN LABEL-U490		1
1	33	36153009	LATCH RING-AG-S3273		1
1	34	43434225	HOSE ASSEMBLY COMP-F		1
1	34	43434210	HOSE ASSEM COMP-AAP-		1
1	34	43434209	HOSE ASSM COMP-MLD-J		1
1	34	43434203	HOSE ASSEM COMP - AA		1
1	35	012846AG	TUBE LATCH		1
1	36	012772--	RIVET		1
1	37	012783--	RIVET		1
1	38	12763AW-	RIVET	012763AW	1
1	39	012824--	PLATE		1
1	40	012600--	RIVET		1
1	41	21312704	WASHER		1
1	42	36152018	TUBE LATCH - AAT		1
1	43	012597--	EXTENSION TUBE OUTER		1
1	44	012589--	TUBE GUIDE		1
1	45	012844JM	GASKET		1
1	46	012598--	EXTERNIION TUBE INNER		1
1	47	43458001	EXTENSION WAND - 211		1
1	48	38634078	EXTENSION TUBE-AG		1
1	48	3863801P	EXTENSION TUBE-AG-PO		1



**Model Number: U4497-9**  
**BOM/Serial #: U4497-9**  
**Graphic Title: HOSE**

Image	Key	Part Number	Description	Substitution	Qty.
1	48	013147JM	HOSE END - CONVERTER		1
1	49	012615BZ	HOSE CONNECTOR COLLA		1
1	50	43466068	HOSE GRIP W/SC-AG-S1		1
1	51	012704BZ	HOSE GRIP COLLAR		1
1	52	023473JM	HOSE END CONVERTER		1
1	53	23393JM-	HOSE GRIP		1
1	54	012864JM	HOSE ASSM COMPLETE-U		1
1	55	013143--	HOSE TUBE		1
1	56	43452503	CONVERTER ASSM-JR CL		1
1	57	017959-A	HOSE CONNECTOR TUBE		1
1	57	641398LL	HOSE CONN TUBE-1341		1
1	58	019633JM	HOSE COMPLETE - 1341		1
1	59	022671JM	HOSE COMPLETE		1
1	59	023007-A	HOSE-64		1
1	60	034355--	HOSE END SHORT 65		1
1	60	034083--	HOSE END 6400		1
1	61	034984-A	BLOWER-65		1
1	62	035447--	CONVERTER SPECIAL		1
1	63	035190--	MODEL 91 CONNECTOR		1
1	64	034202JM	CONNECTOR		1
1	65	048617JM	HOSE-LESS ENDS-ULTRA		1
1	66	43434213	HOSE COMPLETE-ASSM Q	43434239	1
1	67	012864JM	HOSE ASSM COMPLETE-U		1
1	68	161728LL	TURBINE ROTO-POWER B		1
1	68	169460JM	HOSE-ULTRAFLEX-50 FT		1
1	68	43431011	HOSE-TUFLEX-JM-50 FT		1