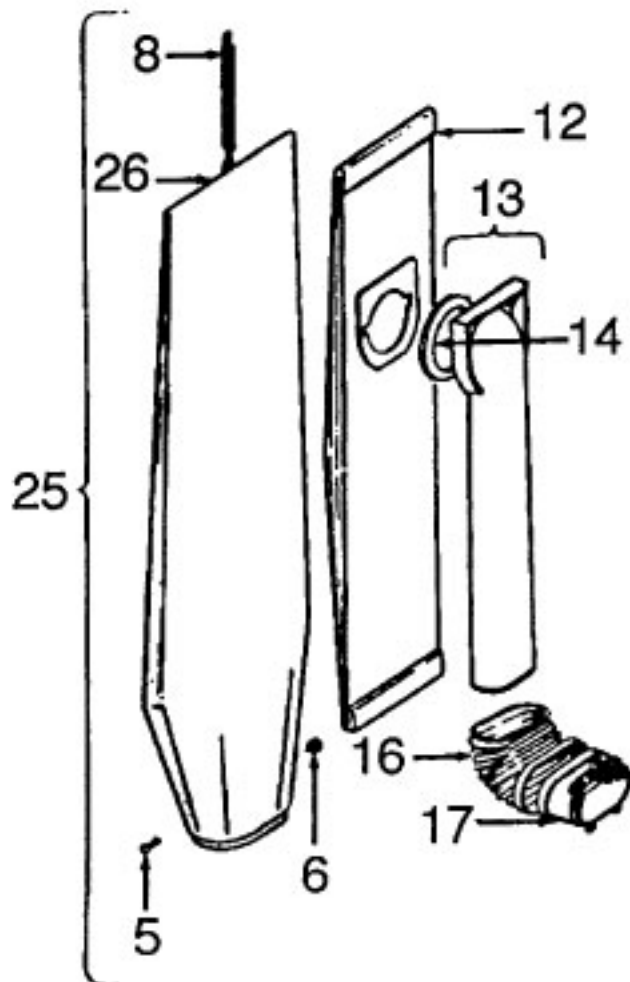
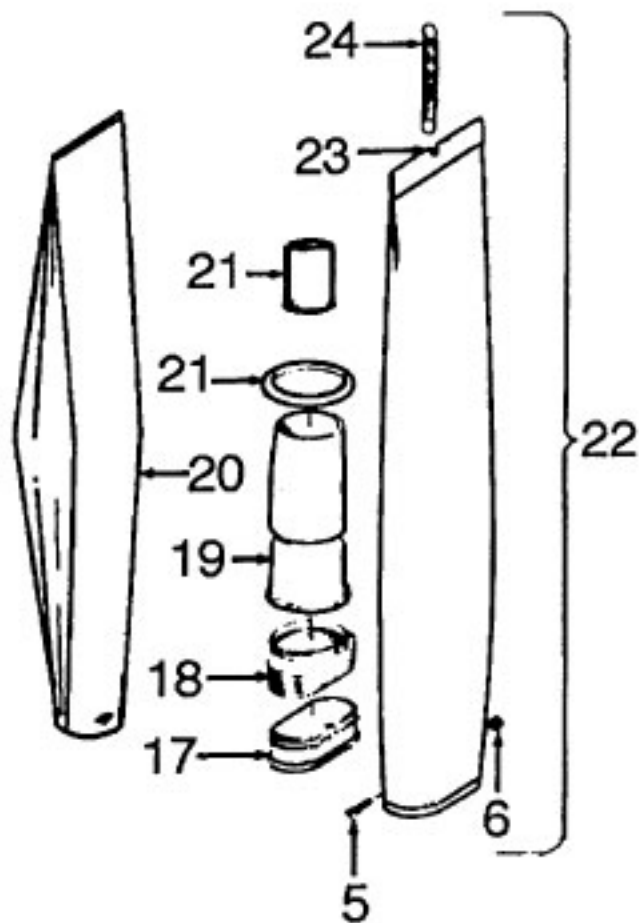


Ref. No.	Part No.	Description	Ref. No.	Part No.	Description
1	43667041	Cloth Bag - AG (Req. 41128021 Bag Clip)	63	48111008	Indicator Lens
2	38335009	Jacket Support Spring - AW	64	42251318	Hood Assem. - WW
3	51639103	Bag Cover Nameplate	65	39383086	Dirt Finder Lens
4	37959057	Bag Cover	66	52115148	Nameplate
5	37959095	Hanger - AG	67	36231137	Furniture Guard - AAP
6	35173001	Bag Expander - AG	68	17001FW	Screw - Self Tapping (2)
7	34112015	Seal (2)	69	27313101	Dirt Finder Lamp
8	46383306	Cord	70	36912004	Lamp Socket - AG
9	38421012	Switch Button - AG	71	45517	Lead Wire Holder
10	37258015	Switch Cover - KT	72	47457AY	Carrier Wheel Shaft (2)
11	28179013	Switch	73	21312772	Washer - AY (2)
12	27666702	Terminal (3)	74	38522013	Carrier Wheel (2)
13	39454060	Handle Grip Assem.	75	34665007	Pivot Pin Retainer - FW
14	52115149	Nameplate	76	34311003	Vent Enclosure
15	12227	Insulated Terminal (3)	77	48422	Rivet - Tubular (2)
16	166735EF	Self Tapping Screw	78	21312781	Washer - AY (2)
17	39442001	Bag Support - JM	79	34784021	Agitator Retaining Spring (2)
18	48631164	Handle - Upper Half - AX	80	41435005	Agitator Assem. Comp.
19	32277008	Handle Nut (2)	81	42242230	Main Body Assem.
20	48631028	Handle - Lower Half - AX	82	21447203	Screw - Self Tapping (2)
21	31323001	Nut Shield - BZ	83	36153006	Bottom Plate Latch - AY (2)
22	21631301	Handle Clamp Bolt (2)	84	34111001	Support Pad (2)
23	36153030	Cord Release - ABE	85	37245081	Bottom Plate - AG
24	21434824	Screw - Self Tapping	86	44783AG	Belt
25	41424011	Bag Flange Assem.	87	21447009	Screw - Self Tapping (2)
26	38673001	Bellows - AG	88	21447020	Screw - Self Tapping (2)
27	46526012	Handle Socket Assem. Comp.	89	36155011	Latch (2)
28	46522008	Cap Housing/Tubing Assem.	90	41427006	Dirt Cup Support/Bellows
29	34777012	Bail Cover Plate - AY	91	34123020	Gasket
30	41416056	Bail Assem. - AAP	92	38775001	Dust Cup
31	38426080	Foot Pad - AG	93	36425023	Clamp
32	43137047	Handle Control Lever Comp.			
33	47450AY	Pivot Pin			
34	11735	Roller Detent Assem.			
35	21465312	Screw - Self Tapping (2)			
36	39442030	Cord Clip			
37	38313023	Motor Lead Spring			
38	38456044	Nozzle Adj. Lever - AG			
39	51151034	Indicator - AG			
40	19907	Bag Flange Clamp Lever			
41	48409FW	Bag Flange Clamp Lever Spring			
42	13730	Lock Ring (4)			
43	161509AY	Bail Shaft			
44	32182001	Wheel Retainer - BZ (2)			
45	38521016	Rear Wheel - AG (2)			
46	43263005	Cam Follower Assem.			
47	33152003	Rear Wheel Shaft			
48	161513	Spring			
49	35434040	Axle/Bag Flange Retainer			
50	34252005	Yoke			
51	12559FW	Handle Control Spring			
52	43574183	Motor Assem. Comp.			
53	27479307	Lead Wire Tie (4)			
54	35276006	Indicator Guide Spring			
55	34312011	Cord Retainer			
56	21447020	Screw - Self Tapping (4)			
57	45533AY	Screw			
58	14062	Lockwasher			
59	41961009	Indicator Guide Assem.			
60	48655083	Handle Assem. Comp. - ww			
61	12997AW	Rivet - Tubular (2)			
62	168278AY	Washer (2)			

ITEMS NOT ILLUSTRATED

56511328	Owner Manual
58174067	Cleaner Carton
58343025	Front Support
58366012	Rear Support

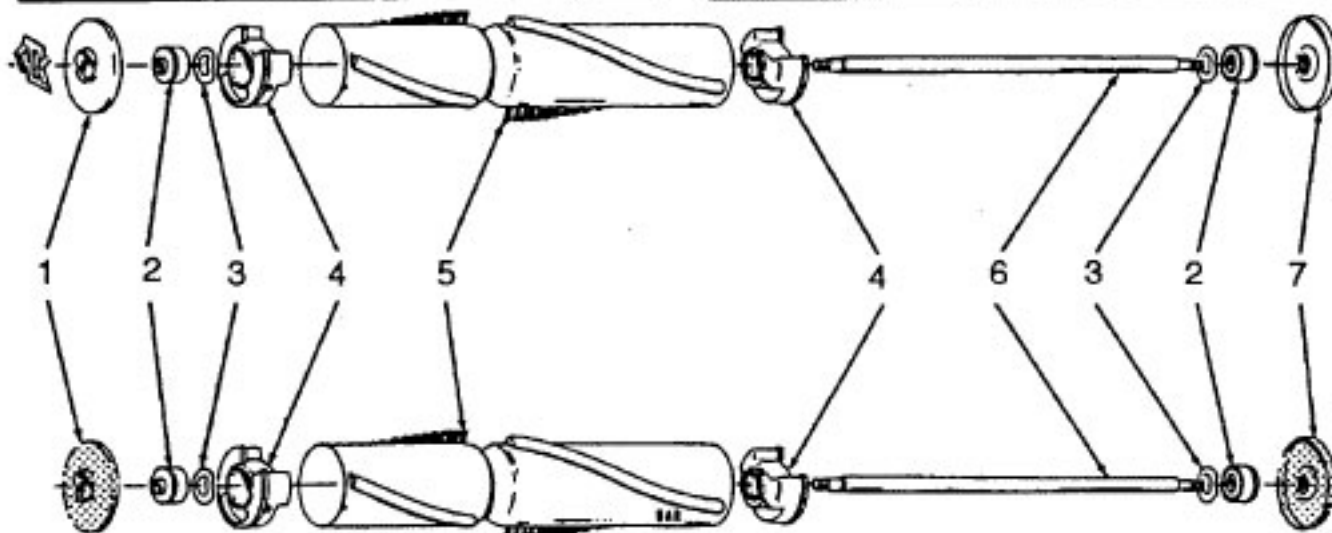
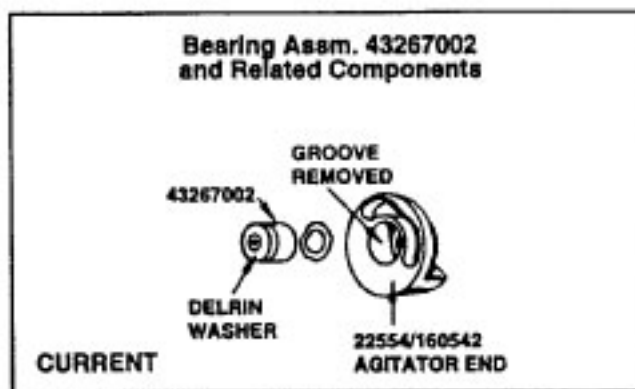
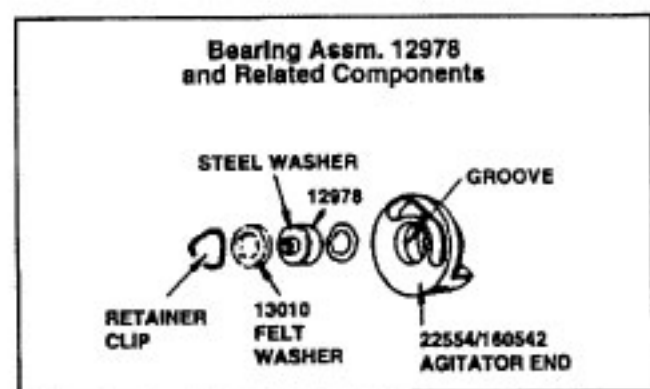
Outer Bag/ Outer Bag Comp.



Ref. No.	Part No.	Description
5	21765159	Screw
6	15854EF	Nut
8	38336014	Jacket Support Spring
12	4010001A	Throw Away Bag (3 Pk.)
13	43482058	Top Fill Tube & Seal (Shown)
	38657004	Top Fill Tube (Push on Type)
14	32174004	Bag Collar Seal (Use w/Item 13 - 43482058)
16	38673009	Bellows
17	41424011	Bag Ring & Gasket
	41424502	Bag Ring & Gasket - U4014-079
18	11064JM	Bellow
19	161889	Bag Support Tube
20	4010003C	Throw Away Bag (4 Pk.)
	4010004C	Throw Away Bag (1 2 Pk.)
21	46550AG	Bag Retainer
	35091	Bag Retainer Sleeve - Early Models
22	43678331	Outer Bag Comp. - Bottom Fill - Wide - Common
	43678052	Outer Bag Comp. - Bottom Fill - Narrow - Common
23	43677052	Outer Bag - Bottom Fill - Narrow - Common
	43677321	Outer Bag - Bottom Fill - Wide - Common
	43686510	Outer Bag - U4014-079 (Zip)
24	38335006	Jacket Support Spring
25	43678330	Outer Bag Comp. - Top Fill - Common
26	43677322	Outer Bag -Top Fill - Common

ITEMS NOT ILLUSTRATED

37911043	Header Cap - U4087 (JE)
37911044	Header Cap - U4091 (AR)
37911045	Header Cap - U4075 (EW)
37911047	Header Cap - U4093 (ET)
41129008	Cable Tie & Instruction Sheet (Used to secure the vinyl outer Jacket to the Bag Ring)
36953003	Hanger (Used in the repair of Item #'s 22,23,25,26. Secures Jacket Support Spring to Outer Bag/Outer Bag Comp.)



Ref. No.	Part No.	Description
1	49180 36423003	Thread Guard & Spring (Metal) Thread Guard L.H. (Molded)
2	43267002	Bearing
3	21347003	Thrust Washer
4	22554 160542 41435070	Agitator End (Early Model Standard Performance Cleaners, L.H. Helix) Agitator End (Standard & High Performance Cleaners, R.H. Helix) Agitator End (Use w/two brush agitator Pt. #48414021)
5	12998BZ 160646BZ 48445001	Agitator Brush - 8 mil (Early Model Standard Performance Cleaners, L.H. Helix) Agitator Brush - 8 mil (Standard Performance Cleaners, R.H. Helix) Agitator Brush - 11 mil (High Performance Cleaners, R.H. Helix)
6	12981 32724008	Agitator Shaft (Used w/metal thread guards) Agitator Shaft (Used w/molded thread guards)
7	12985AY 36423007	Thread Guard R.H. (Metal) Thread Guard R.H. (Molded)

AGITATOR BELT

Ref. No.	Part No.	Description
	49258AG	Domestic models, Convertible/ Decade 80/Heavy Duty Commercials
	44783AG	Lightweight Commercials

AGITATOR ASSEMBLY

169371MF	Standard Performance, R.H. Helix (Metal Thread Guards)
41435005	High Performance Cleaners, R.H. Helix (Metal Thread Guards w/Spring)
48414006	High Performance Cleaners, R.H. Helix (Metal Thread Guards)
48414007	Standard Performance, R.H. Helix (Molded Thread Guards)

FOUR BRUSH AGITATOR ASSEMBLY

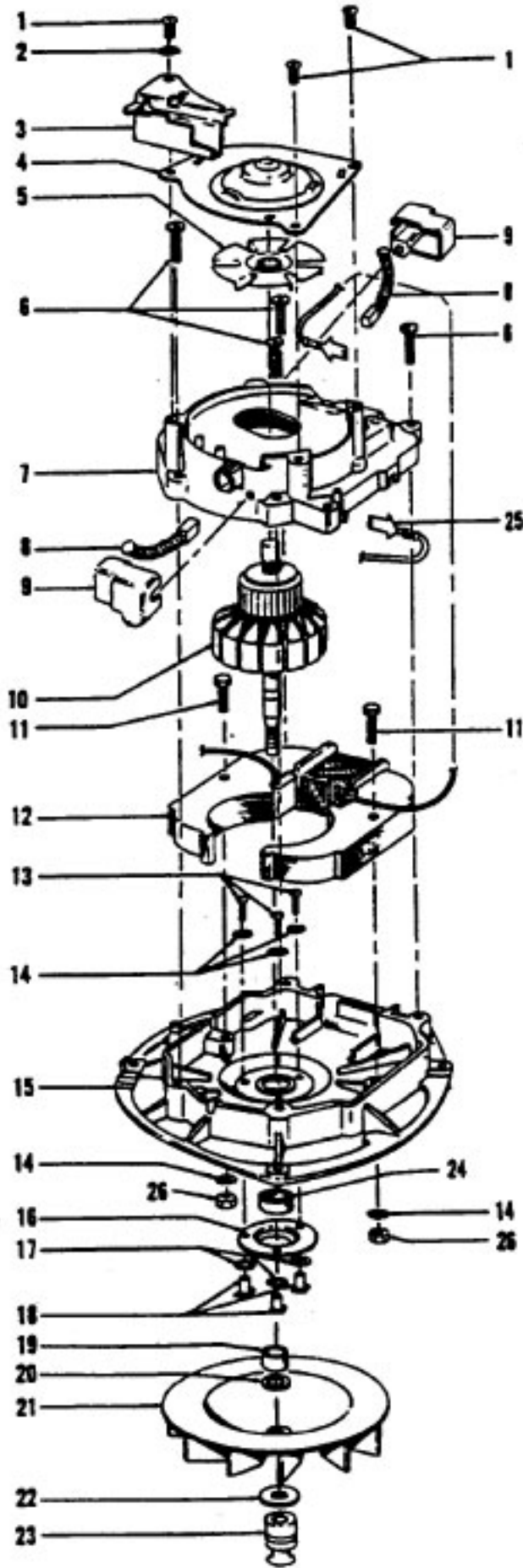
48414002	Heavy Duty Commercial (Use 47159 Brush-Long, 47160 Brush-Short & 46875 Sems Fastener)
48414003	Lightweight Commercial (Use 160646BZ Brush & 36422003 Agitator End)

TWO BRUSH W/O BEATER BAR

48414021	Agitator (Molded Thread Guards)
----------	---------------------------------

Motor

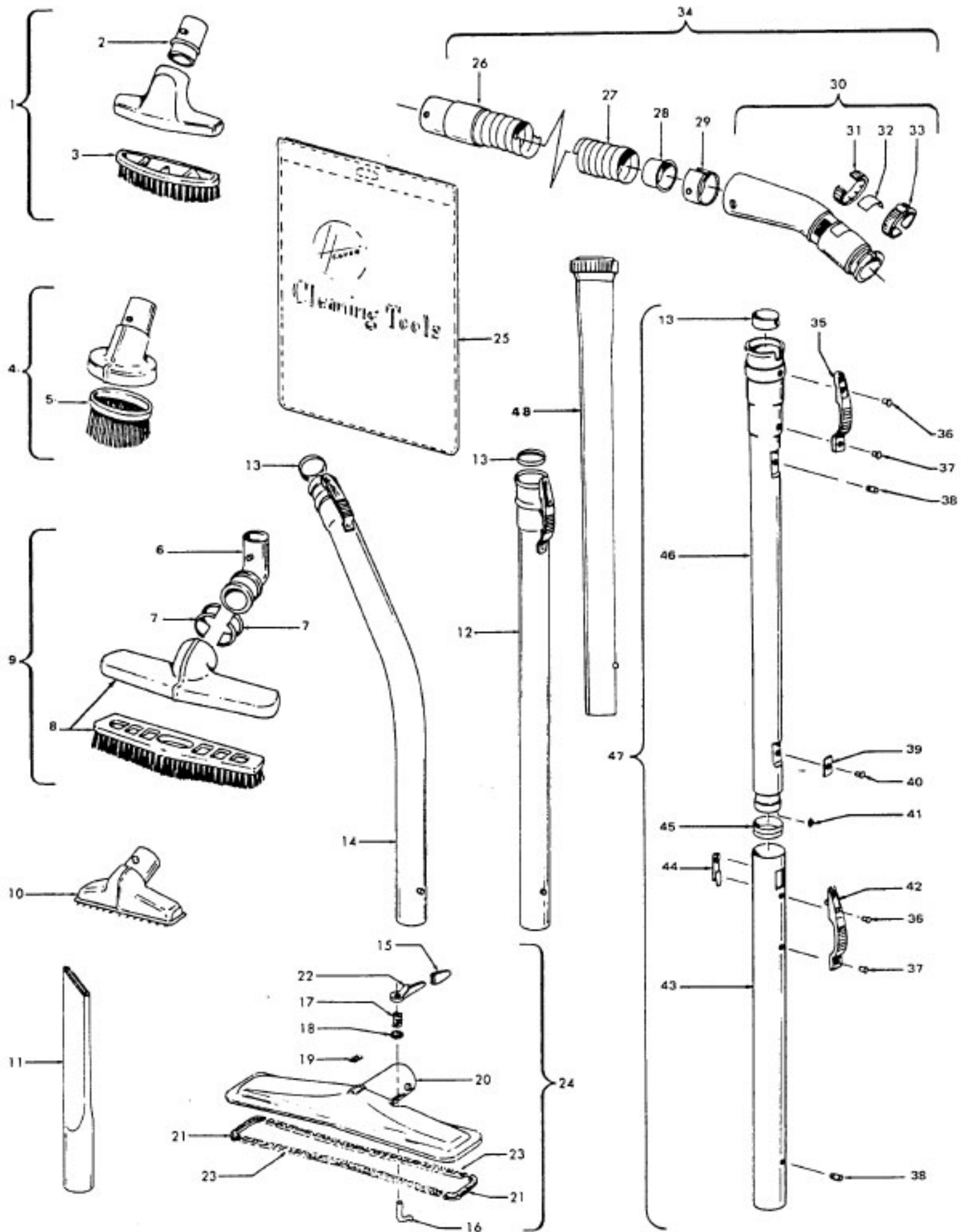
Models U4521, U4523, U4525, U4719-900, U4727-900



Ref. No.	Part No.	Description
1	45533AY	Screw (3)
2	14062	Lockwasher
3	41961009	Indicator Guide Assem.
4	42934002	Motor Casing Cap Assem.
5	38755004	Fan
	38755005	Fan - U4523, U4525
6	161535	Screw (4)
7	19857	Upper Motor Casing
	42195003	Upper Motor Casing - U4523, U4525
8	47318012	Motor Brush Assem.
9	36315003	Motor Brush Cap (2)
10	44765085	Armature
11	45118	Bolt (2)
12	45412018	Field
	45421020	Field - U4523, U4525
13	21772501	Screw (3)
14	14062	Lockwasher (5)
15	42193006	Lower Motor Case
16	32184003	Bearing Retainer
17	19772	Washer (3)
18	45251	Nut (3)
19	31731006	Fan Spacer
20	166563	Washer
21	38755011	Fan
22	31162004	Washer
23	38532009	Motor Pulley
	38532015	Motor Pulley - U4523, U4525
24	24152807	Motor Bearing
25	14320	Terminal
26	15673	Nut (2)
	43574161	Motor Assem. Comp.
	43574183	Motor Assem. Comp. - U4523, U4525

ITEMS NOT ILLUSTRATED

35276006	Indicator Guide Spring
40300014	Armature Spacer/Split Sleeve Kit (For use with Lower Mtr. Brgs, with 4 Attachment Holes)



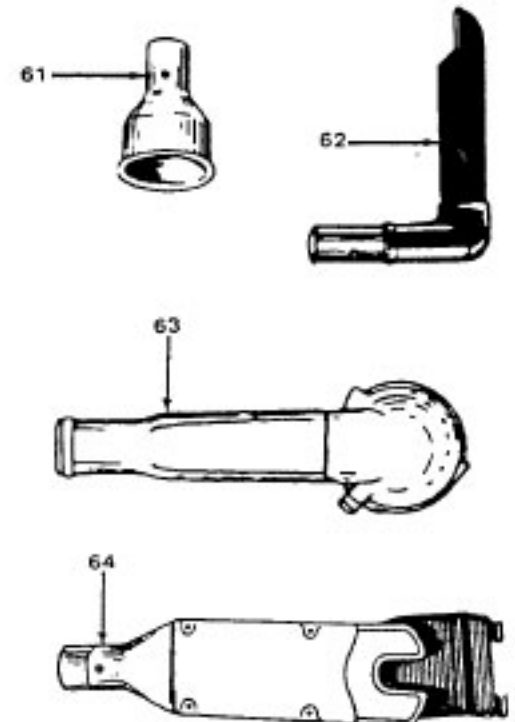
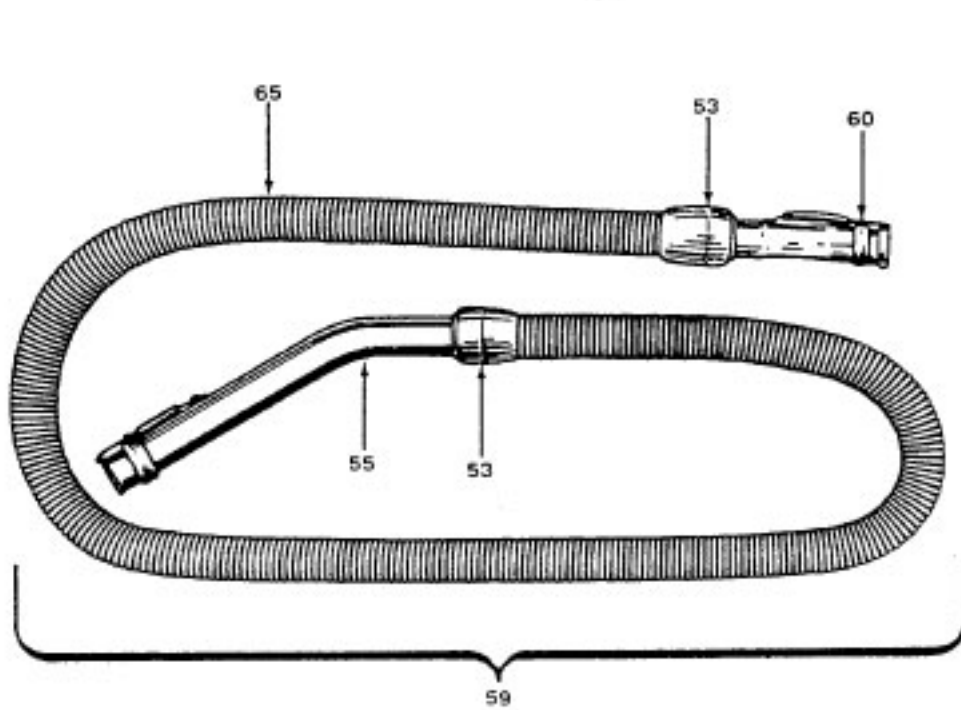
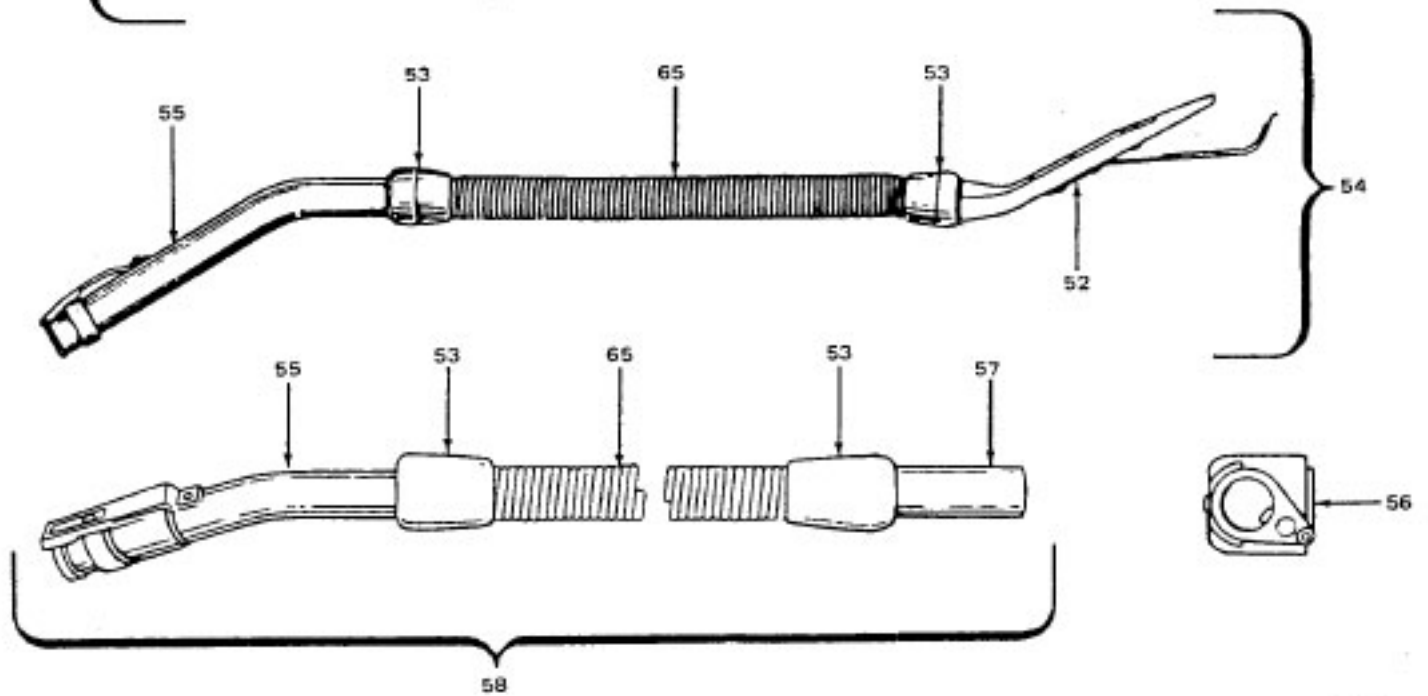
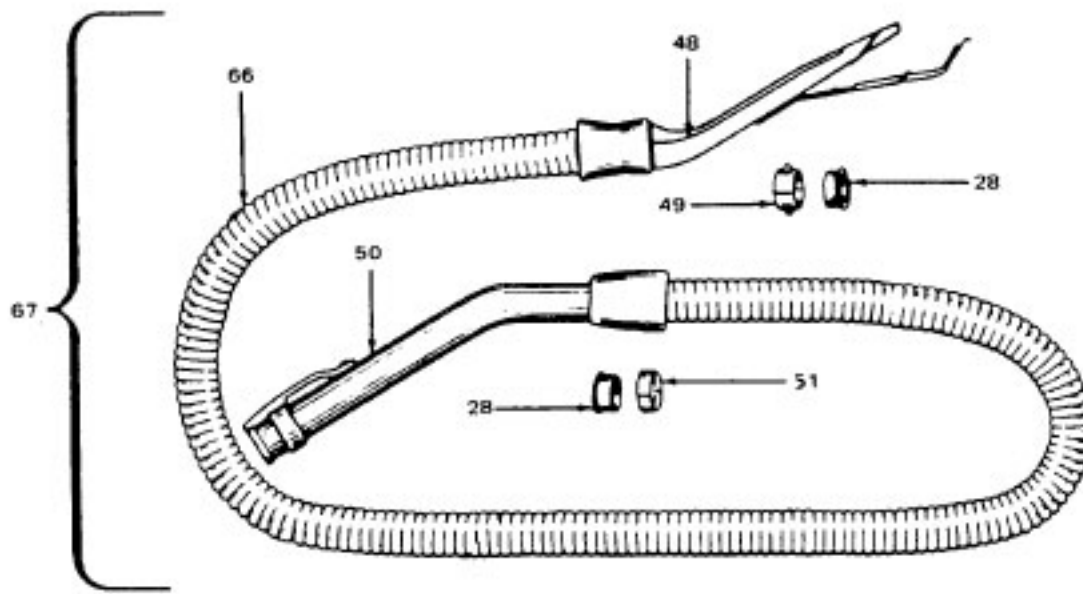
Cleaning Tools

Ref. No.	Part No.	Description
1	161852JM 43414016	Furniture Brush Furniture Brush - AG
2	13149JM	Nozzle Connector Tube (Use w/ 161852JM)
3	13254BZ	Furniture Brush Back (Use w/161852JM)
4	161851JM 43414064 43414145 13263BZ	Dusting Brush Comp. Dusting Brush (One Piece) (Std Fit) Dusting Brush - Friction Brush (Use w/ 61851 JM)
6	13154JM 38644040	Floor Brush Swivel & Collar (Use w/13077JM) Swivel Connector (Use w/43414073)
7	13276 33712007	Floor Brush Swivel Bushing (Use w/13154JM) Split Ring (Use w/38644040)
8	13155JM 13077JM 43414073 43414135	Floor Brush Nozzle & Brush (Use w/ 13077JM) Floor Brush Floor Brush - (Standard Fit) Floor Brush - AAP (Friction Fit)
10	43414057 38614029	Furniture Nozzle - (Standard Fit) Furniture Nozzle - AG - (Friction Fit)
11	38617017 38617024	Crevice Tool - AG - (Standard Fit) Crevice Tool
12	43453027	Extension Tube (Standard Fit)
13	12845JM	Gasket
14	43466040	Ext. Tube - Curved (Short) (Std. Fit)
15	34207AG	Handle Control Foot Pad
16	33126001	Latch - AW
17	38311006	Spring
18	161549	Washer
19	34121001	Pad - Felt
20	43482097	Converter Body Assem.
21	34253003	Seal - End
22	38452026	Latch Lever
23	34113005	Seal - Side
24	43482097	Converter Body Assem. Conversion - (Standard & Friction Fit)
25	58544004	Cleaning Tool Bag
26	32288007 32288003 32288004	Hose Connector (Use w/Continuous Convolution Hose) - (Standard Fit) Hose Connector - JM (Use w/Circular Ribbed Hose) - (Standard Fit) Hose Connector - AAP (Use /Circular Ribbed Hose) - (Std. & Friction Fit)
27	43434203 38671001 38671028 38671030	Hose Complete - AAP Hose Less Ends - JM (Circular Ribbed) - (Std. Fit Ends) Hose Less Ends - AAP (Circular Ribbed) - (Std. Fit Ends) Hose Less Ends (Circular Ribbed) - (Friction Fit Ends)
28	32156010	Hose Sleeve - (Standard Fit Hose)
29	36116006 36171025	Hose Connector Collar (Use w/ Continuous Convolution Hose) (Standard Fit Hose) Hose Connector Collar (Use w/Circular Ribbed Hose) - (Standard Fit Hose)

Convertible

Ref. No.	Part No.	Description
30	43466044	Hose Connector Curved w/Rings-AAP (Use w/Continuous Convolution Hose) (Std. Fit)
	43466055	Hose Connector Curved w/Latch Ring- JM (w/o Suction Regulator) (Use w/ Circular Ribbed Hose) - (Standard Fit)
	43466058	Hose Connector Curved w/Latch Ring AAP (w/o Suction Regulator) - Use w/Circular Ribbed Hose - (Std. Fit)
	39454059	Hose Connector - AAP -
31	38711006	Suction Control Ring - (Standard)
32	51869006	Hose Connector Label - (Standard)
33	36153009	Latch Ring - MV - (Standard)
34	43434203	Hose Comp. - Front Conversion (Continuous Convolution) (w/o Suction Regulator) - (Standard Fit)
	43434209	Hose Comp. - Front Conversion - JM (Circular Ribbed) (w/o Suction Regulator) - (Standard Fit)
	43434210	Hose Comp. - Front Conversion - AAP (Circular Ribbed w/o Suction Regulator) (Standard Fit)
	43434225	Hose Comp. - AAP - (Friction Fit)
35	12846AG	Tube Latch
36	12772	Rivet
37	12783	Rivet
38	12763AW	Rivet
39	12824	Reinforcement Plate
40	12600	Rivet
41	21312704	Washer
42	36152018	Tube Latch - Outer
43	12597	Extension Tube - Outer
44	12589	Extension Tube Guide
45	12844JM	Gasket - Inner
46	12598	Extension Tube - Inner
47	43458001	Extension Tube - (Standard Fit)
48	3863801P 38634078	Extension Tube - Poly - AG Extension Tube (Polystyrene) - AAP - (Friction Fit)

Standard Fit Tools ... w/Retention Pin
Friction Fit Tools ... w/o Retention Pin



Cleaning Tools

Ref. No.	Part No.	Description
48	13147JM	Converter (Std. - Rear Conversion)
49	12615BZ	Hose Converter Collar
50	43466044	Hose Grip - AAP - SC
51	12704BZ	Hose Grip Collar
52	23473JM	Converter (Except 63, 64) (Use w/ Hose 48617)
53	23393JM	Hose Grip
54	12864JM	Hose Comp. - Ultraflex (Equipped w/Converter 23473)
55	13143	Hose Tube Curved
56	43452503	Converter - 1330, 1348, 1348-002
57	17959A	Hose Connector Tube - 1330 (Metal)
	641398LL	Hose Connector Tube - 1348, 1348-002 (Plastic)
58	19633JM	Hose Comp. - Ultraflex - 1330, 1340, 1348, 1348-002
59	22671JM	Hose Comp. - Ultraflex (Commercial) Use w/Converter 34202 or 35190
	23007A	Hose Comp. - Ultraflex (Use w/Converter 35447)

Convertible

Ref. No.	Part No.	Description
60	34083	Hose End - 14, 63, 64
	34355	Hose End Short (Commercial)
61	34984A	Blower (Use w/Hose 22671)
62	35447	Converter - Special - 63, 64
63	35190	Converter (Use w/Hose 22671)
64	34202JM	Converter (Use w/Hose 22671)
65	48617JM	Hose Less Ends
66	43434213	Hose Less Ends
67	12864JM	Hose Assem. Comp. - Tufflex (Std. Rear Conversion)

ITEMS NOT ILLUSTRATED

161728	Turbine Roto - Power Brush
169460JM	Ultraflex Hose - 50' length
43431011	Tufflex Hose - 50' length