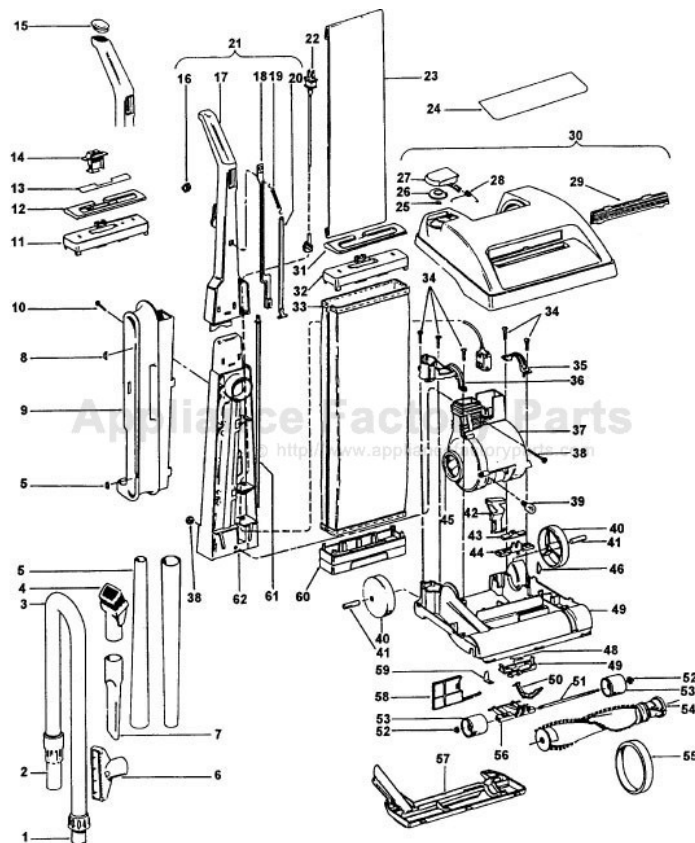


This Owner's Manual is provided and hosted by [Appliance Factory Parts](#).



HOOVER U4537-980 Owner's Manual

[Shop genuine replacement parts for HOOVER
U4537-980](#)

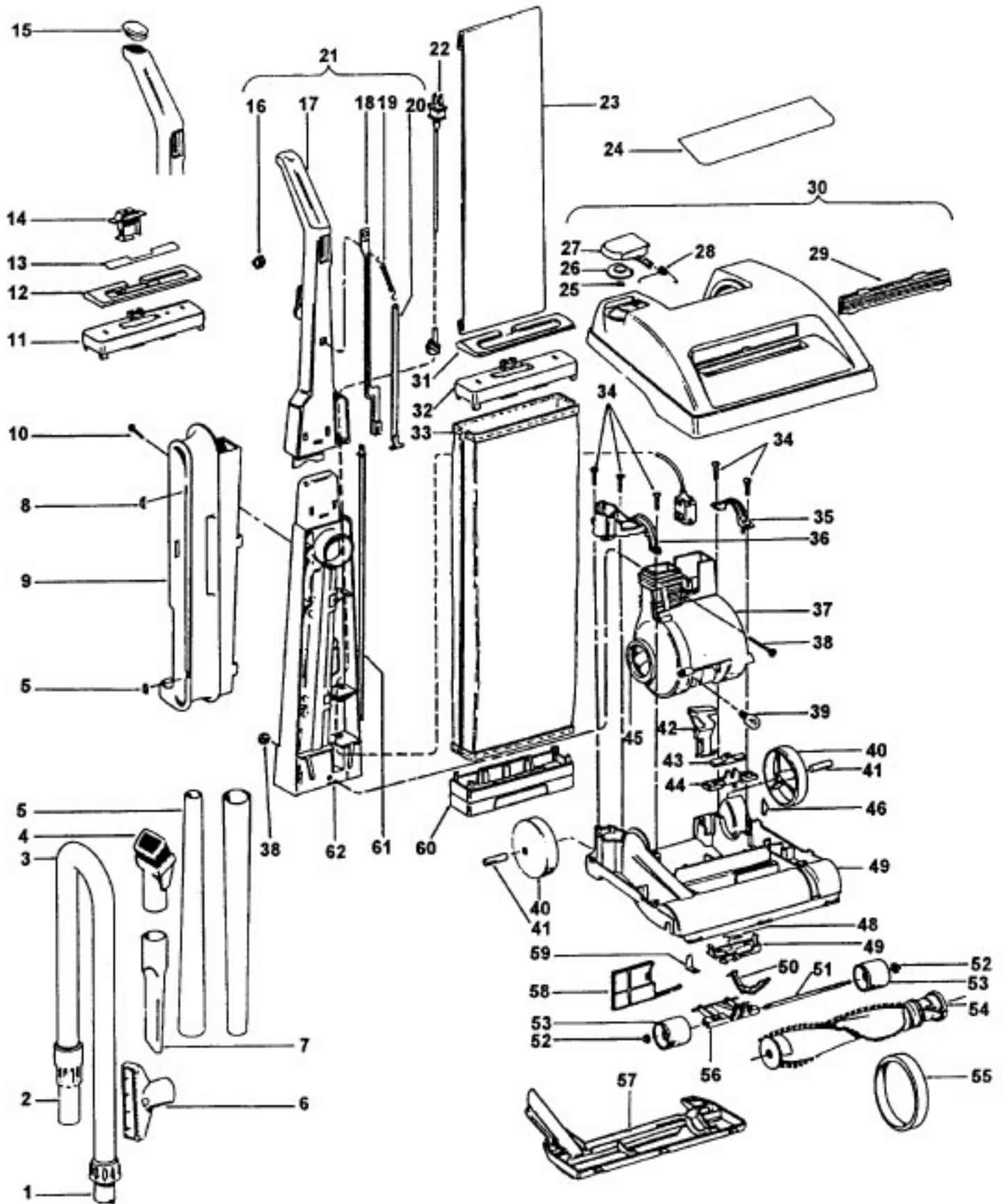


[Find Your HOOVER Vacuum Cleaner Parts - Select From 1456 Models](#)

----- Manual continues below part list -----

Available Replacement Parts for HOOVER U4537-980

H-38528040	BELT VACUUM HOOVER OEM (1 PACK)
48414036	HOOVER ELITE BRUSH ROLLER
H-4010001A	VACUUM BAG OEM HOOVER 3 PACK
H-43267002	AGITATOR BEARING ASM
K-109289	BULB



Legacy II

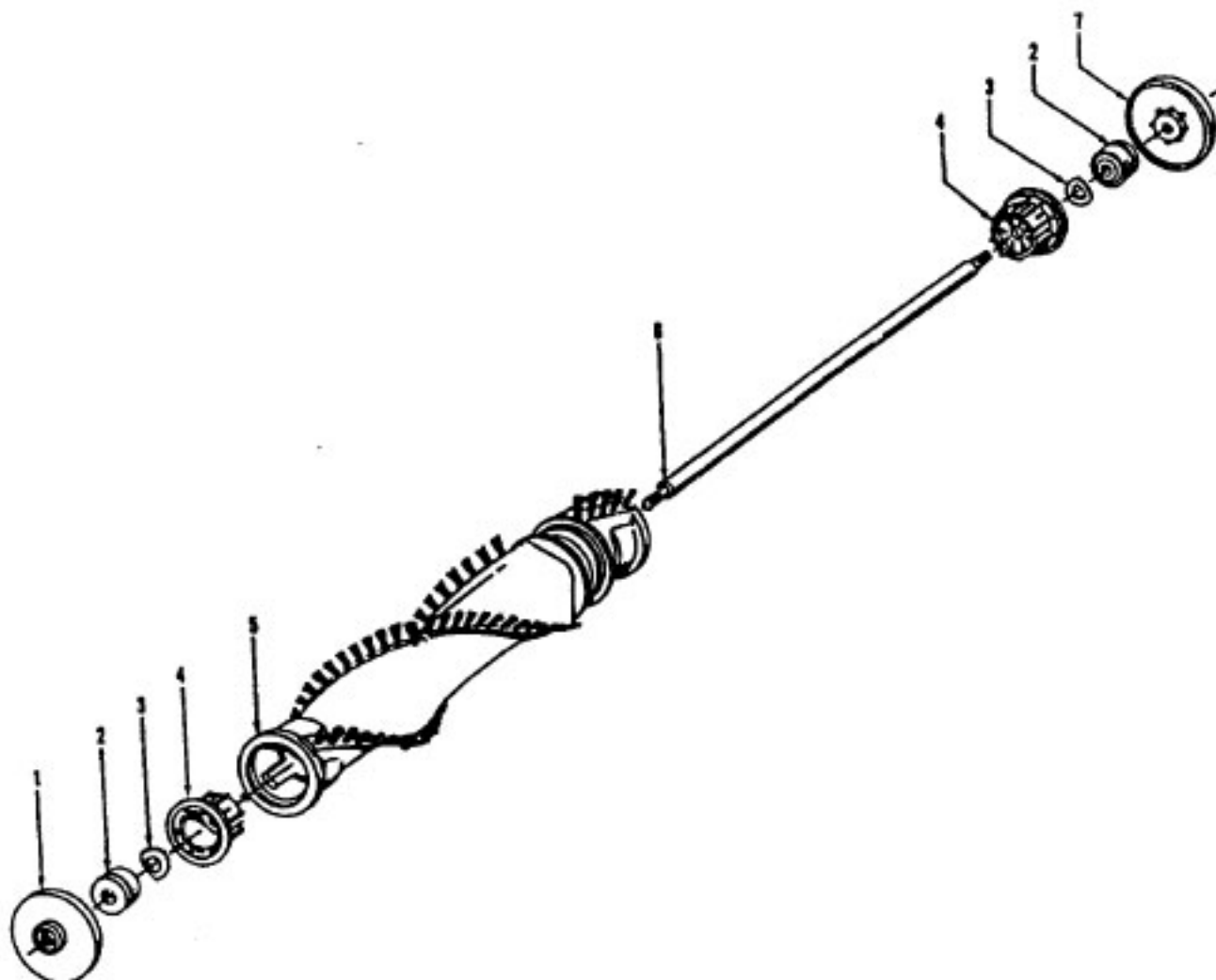
Models U4537-910, U4537-930, * U4537-980, U4539-930, U4551-910, U4551-920, U4563-910, U4567-910, U4567-920, U4567-930, U4585-910

Ref. No.	Part No.	Description	Ref. No.	Part No.	Description
1	32377004	Hose Connector			
2	32288011	Hose Adapter - AG			
3	43434088	Cleaning Tool Hose Assem.			
4	43414145	Dusting Brush - Friction			
5	38634078	Extension Tube			
6	38614029	Furniture Nozzle			
7	38617024	Crevice Tool			
8	37941042	Hinge Cap			
9	41426087	Tool Holder/Hinge Cap			
	41426019	Tool Holder Assem. - U4537-910, U4537-930, U4539-930			
	41426089	Tool Holder/Door Assem. - U4567-920 U4567-930			
10	21447220	Screw - Self Tapping			
11	38425062	Jacket Support Upper - U4585-910			
12	37959076	Jacket Support Cap - U4585-910			
13	51639092	Cap Nameplate - U4585-910			
14	35111002	Drawer - U4585-910			
15	37911079	Handle Cap - ABE - U4537-910, U4537-930, U4563-910			
16	38421003	Switch Button			
17	39458056	Handle Grip - U4551-910, U4551-920, U4567-910, U4567-920, U4567-930, U4585-910, U4539-930			
	39458057	Handle Grip - U4537-930 (Kohl's)			
18	38458006	Switch Rod Upper			
19	38335020	Bag Strap Spring			
20	36425072	Bag Strap			
21	48663164	Upper Handle Assem. - U4551-910, U4551-920, U4567-910, U4567-920, U4567-930, U4585-910, U4537-930 (Kohl's), U4539-930			
	48663165	Upper Handle Assem. - U4537-910, U4537-930, U4563-910 (w/Handle Cap - Item 15)			
22	46388027	Attachment Cord - 35'			
23	4010001A	Disp. Bag - 3 Pk.			
	4010100A	Disp. Bag - 3 Pk. - Micro - U4537-910, U4537-930, U4567-920, U4567-930			
24	51669066	Hood Nameplate			
	52115183	Hood Nameplate - U4551-910			
	52115184	Hood Nameplate - U4563-910			
	52115188	Hood Nameplate - U4567-910			
	52115185	Hood Nameplate - U4585-910			
	52115190	Hood Nameplate - U4537-910			
	52115189	Hood Nameplate - U4567-920			
25	21362006	Speed Nut			
26	38784056	Seal			
27	42247005	Air Intake Door Assem. - AAY U4551-910, U4551-920 (Incl. Items 25,26)			
	42247003	Air Intake Door Assem. - AG - U4563-910, U4567-910, U4567-920, U4567-930 (Incl. It. 25,26)			
	37257175	Air Intake Door Assem. - ABB (Incl. It. 25,26) U4539-930			
	42247009	Air Intake Door Assem. - ABM U4537-910, U4537-930 (Incl. It. 25,26)			
28	38351011	Spring			
29	39383097	Dirt Finder Lens			
30	42252229	Hood Assem. w/o Nameplate - AAY - U4551-910, U4551-920			
	42252227	Hood Assem. w/o Nameplate - AG - U4563-910, U4567-910, U4567-920, U4567-930			
	42252292	Hood Assem. w/o Nameplate - ABB - U4585-910, U4539-930			
	42252298	Hood Assem. w/o Nameplate - ABM - U4537-910, U4537-930			
31	37959072	Jacket Support Cap - U4551-910, U4563-910, U4567-910, U4567-930			
32	36425062	Jacket Support Upper - U4551-910, U4563-910, U4567-910, U4567-930			
	36425064	Jacket Support Upper - U4537-910, U4537-930, U4539-930			
33	43686130	Outer Bag Comp. - U4551-910 (Incl. Items 31,32,60)			
	43686132	Outer Bag Comp. - U4563-910, U4567-910 Incl. Items 31,32,60			
			43686133		Outer Bag Comp. - U4585-910 (Incl. Items 31,32,60)
			43686162		Outer Bag Comp. - U4567-920 (Incl. Items 31,32,60)
			43686161		Outer Bag Comp. - U4551-920 (Incl. Items 31,32,60)
			43686160		Outer Bag Comp. - U4537-910 (Incl. Items 32,60)
			43686175		Outer Bag Comp. - U4537-930 (Incl. It. 32,60)
			43686176		Outer Bag Comp. - U4567-930 (Incl. Items 31,32,60)
			43686221		Outer Bag Comp. - U4539-930
			34	21447217	Screw - Self Tapping
			35	36131090	Motor Retainer Cap - L.H.
			36	38613029	Air Intake
			37	43576142	Motor - (P - 202)
			38	40201085	Nut & Bolt
			39	27313101	Dirt Finder Lamp
			40	38522011	Rear Wheel
			41	31523012	Wheel Shaft
			42	38458022	Handle Release Lever
			43	38567014	Indicator Knob
			44	38567009	Cam Actuator
			45	38784016	Seal
			46	13261AY	Rug Nozzle Rib Shoe
			47	42242266	Main Body (Incl. Items 40,41,42,46)
			48	38351012	Spring
			49	38563013	Nozzle Height Adj. Cam
			50	38452089	Lever (Use wheel assem. 43248059)
			51	32563012	Wheel Shaft (Use 43248059)
			52	36131056	Wheel Retainer
			53	43248059	Front Wheel
			54	48414081	Agitator - (P - 204)
			55	38528027	Belt
			56	43248059	Front Wheel Assem. (Incl. It. 50, 51, 53)
			57	37245108	Bottom Plate
			58	38718005	Valve Gate
			59	34572002	Cam Actuator Spring
			60	36425063	Jacket Support Lower
			61	38458046	Switch Rod Lower
			62	48669001	Lower Handle/Muffler Assem.
				48669017	Lower Handle - U4537-930 (Kohl's)
ITEMS NOT ILLUSTRATED					
			3944201P		Cord Wrap
			57363002		Air Freshener Tablet - 1 Pk. - U4585-910
			57363003		Air Freshener Tablet - 4 Pk. - U4585-910
			56511233		Owner Manual - U4537-930, U4539-930
			56511397		Owner Manual - U4567-930
			56511373		Owner Manual
			56511382		Owner Manual - U4537-910
			58174077		Carton - U4537-980
			58185184		Carton - Common
			58366096		Front Support - U4537-980
			58366097		Rear Support - U4537-980
			58385018		Cleaner Support
			58385021		Cleaner Support - U4537-910, U4537-930
			58347026		Carton
			38347023		Cleaning Tool Carton - U4537-980
			37257170		Tool Holder Door - U4567-920

* Note: Model U4537-980 is an ensemble which includes the Model U4537-930 Legacy II Upright and a Model S1103 Dubl-Duty Wet/Dry Hand Cleaner. (For Model S1103 components see Hand/Stick microfiche sections page 54)

Agitator - 48414081
 Agitator - 48414075

Elite/ Elite II/ Dimension/ Legacy/ TurboPOWER/ Caddy Vac - Four Brush
 Caddy Vac - Four Brush



Ref. No.	Part No.	Description
	48414081	Agitator Assem. Complete (Natural Bristles)
	48414075	Agitator Assem. Complete (Blue Bristles)
1	36423016	Thread Guard - RH
2	43267002	Agitator Bearing Assem. (2)
3	21347003	Conical Washer (2)
4	36422022	Agitator End (2)
5	N/A	Agitator Body
6	32724013	Agitator Shaft
7	36423017	Thread Guard - LH - AG



Ref. No.	Part No.	Description
	43576142	Motor Assem. Comp.
	43576181	Motor Assem. Comp. (Replaced by 43576204)
1	214793DA	Screw-Self Tapping (4)
2	38736033	Fan Chamber
3	38755030	Fan
4	N/A	Rivet - Semi Tubular (2)
5	N/A	Motor Housing Assem.
6	N/A	Motor Brush Holder (2)
7	N/A	Motor Brush Assem. (2)
8	N/A	Bearing
9	N/A	Bearing Retainer
10	36914004	Switch Bus Bar
11	39116005	Attachment Terminal
12	28218043	Switch Assem. - Early Models (Prior to 5/96)
	28161062	Switch Assem. - Late Models (After 5/96)
13	N/A	Armature/Bearing Assem.
14	37194046	Motor End Cap Assem. - MW
15	N/A	Field Assem.
16	N/A	Lamp Holder Assem.
17	21312793	Washer
18	38783020	Duct Seal
19	41311016	Motor Brush Holder Assem.

ITEMS NOT ILLUSTRATED

38781013	Duct Seal (8 1/2" Long adhesive backed foam seal used on early models in place of item 18)
54821001	Tape (Roll)