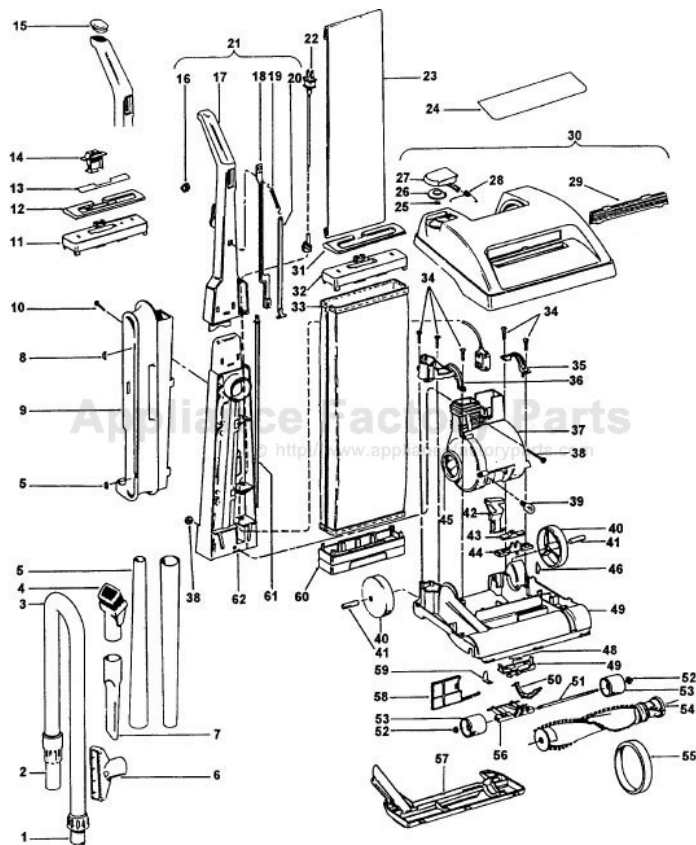


This Owner's Manual is provided and hosted by [Appliance Factory Parts](#).



HOOVER U4539-930 Owner's Manual

[Shop genuine replacement parts for HOOVER
U4539-930](#)

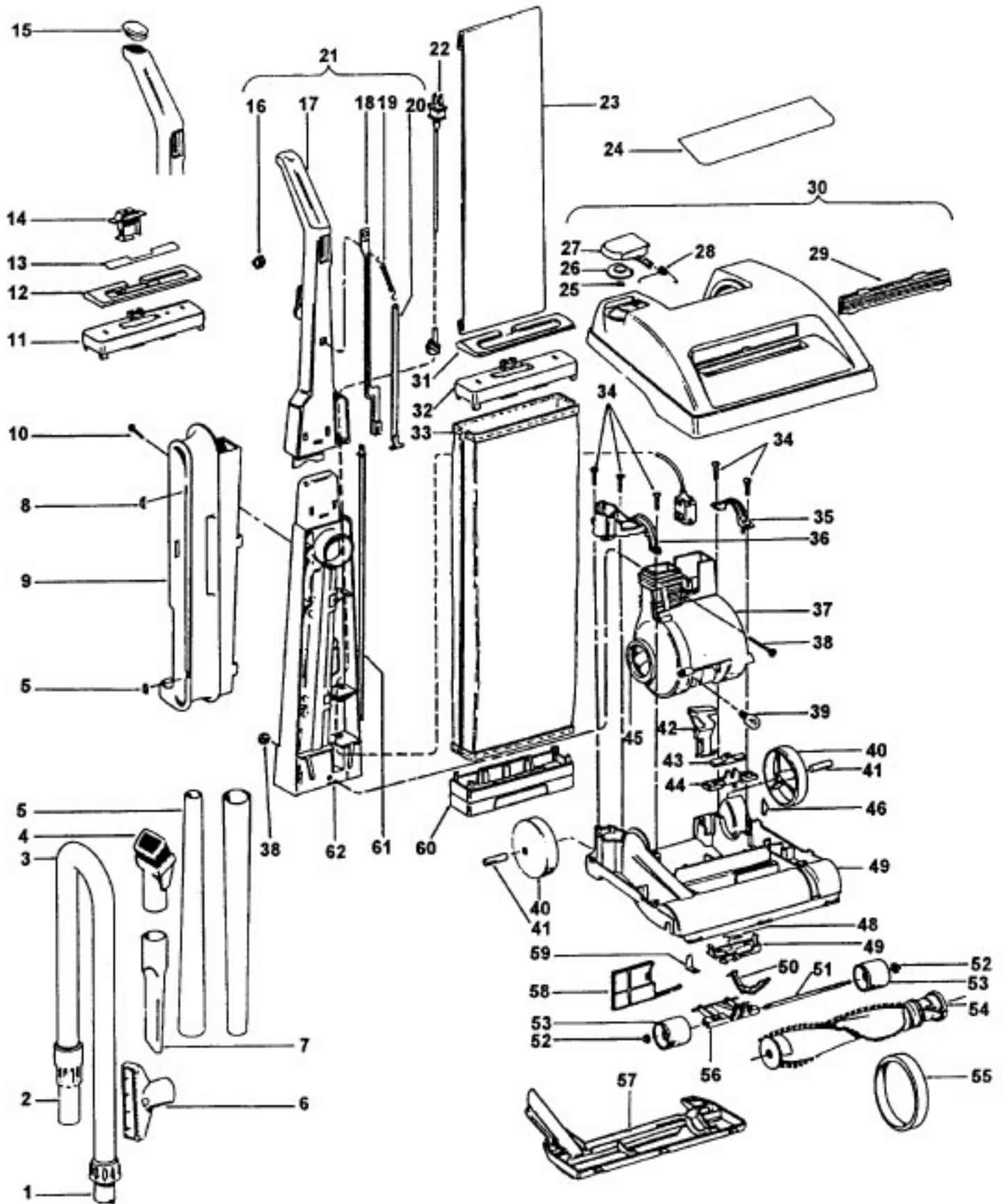


[Find Your HOOVER Vacuum Cleaner Parts - Select From 1456 Models](#)

----- Manual continues below part list -----

Available Replacement Parts for HOOVER U4539-930

H-38528040	BELT VACUUM HOOVER OEM (1 PACK)
48414036	HOOVER ELITE BRUSH ROLLER
H-4010001A	VACUUM BAG OEM HOOVER 3 PACK
H-43267002	AGITATOR BEARING ASM
K-109289	BULB



Legacy II

Models U4537-910, U4537-930, * U4537-980, U4539-930, U4551-910, U4551-920, U4563-910, U4567-910, U4567-920, U4567-930, U4585-910

Ref. No.	Part No.	Description	Ref. No.	Part No.	Description	
1	32377004	Hose Connector				
2	32288011	Hose Adapter - AG				
3	43434088	Cleaning Tool Hose Assem.		43686133	U4567-910 Incl. Items 31,32,60 Outer Bag Comp. - U4585-910 (Incl. Items 31,32,60)	
4	43414145	Dusting Brush - Friction		43686162	Outer Bag Comp. - U4567-920 (Incl. Items 31,32,60)	
5	38634078	Extension Tube		43686161	Outer Bag Comp. - U4551-920 (Incl. Items 31,32,60)	
6	38614029	Furniture Nozzle		43686160	Outer Bag Comp. - U4537-910 (Incl. Items 32,60)	
7	38617024	Crevice Tool		43686175	Outer Bag Comp. - U4537-930 (incl. It 32,60)	
8	37941042	Hinge Cap		43686176	Outer Bag Comp. - U4567-930 (Incl. Items 31,32,60)	
9	41426087	Tool Holder/Hinge Cap				
	41426019	Tool Holder Assem. - U4537-910, U4537-930, U4539-930		43686221	Outer Bag Comp. - U4539-930	
	41426089	Tool Holder/Door Assem. - U4567-920 U4567-930		34	21447217	Screw - Self Tapping
10	21447220	Screw - Self Tapping		35	36131090	Motor Retainer Cap - L.H.
11	38425062	Jacket Support Upper - U4585-910		36	38613029	Air Intake
12	37959076	Jacket Support Cap - U4585-910		37	43576142	Motor - (P - 202)
13	51639092	Cap Nameplate - U4585-910		38	40201085	Nut & Bolt
14	35111002	Drawer - U4585-910		39	27313101	Dirt Finder Lamp
15	37911079	Handle Cap - ABE - U4537-910, U4537-930, U4563-910		40	38522011	Rear Wheel
16	38421003	Switch Button		41	31523012	Wheel Shaft
17	39458056	Handle Grip - U4551-910, U4551-920, U4567-910, U4567-920, U4567-930, U4585-910, U4539-930		42	38458022	Handle Release Lever
	39458057	Handle Grip - U4537-930 (Kohl's)		43	38567014	Indicator Knob
18	38458006	Switch Rod Upper		44	38567009	Cam Actuator
19	38335020	Bag Strap Spring		45	38784016	Seal
20	36425072	Bag Strap		46	13261AY	Rug Nozzle Rib Shoe
21	48663164	Upper Handle Assem. - U4551-910, U4551-920, U4567-910, U4567-920, U4567-930, U4585-910, U4537-930 (Kohl's), U4539-930		47	42242266	Main Body (Incl. Items 40,41,42,46)
	48663165	Upper Handle Assem. - U4537-910, U4537-930, U4563-910 (w/Handle Cap - Item 15)		48	38351012	Spring
22	46388027	Attachment Cord - 35'		49	38563013	Nozzle Height Adj. Cam
23	4010001A	Disp. Bag - 3 Pk.		50	38452089	Lever (Use wheel assem. 43248059)
	4010100A	Disp. Bag - 3 Pk. - Micro - U4537-910, U4537-930, U4567-920, U4567-930		51	32563012	Wheel Shaft (Use 43248059)
24	51669066	Hood Nameplate		52	36131056	Wheel Retainer
	52115183	Hood Nameplate - U4551-910		53	43248059	Front Wheel
	52115184	Hood Nameplate - U4563-910		54	48414081	Agitator - (P - 204)
	52115188	Hood Nameplate - U4567-910		55	38528027	Belt
	52115185	Hood Nameplate - U4585-910		56	43248059	Front Wheel Assem. (Incl. It. 50, 51, 53)
	52115190	Hood Nameplate - U4537-910		57	37245108	Bottom Plate
	52115189	Hood Nameplate - U4567-920		58	38718005	Valve Gate
25	21362006	Speed Nut		59	34572002	Cam Actuator Spring
26	38784056	Seal		60	36425053	Jacket Support Lower
27	42247005	Air Intake Door Assem. - AAY U4551-910, U4551-920 (Incl. Items 25,26)		61	38458046	Switch Rod Lower
	42247003	Air Intake Door Assem. - AG - U4563-910, U4567-910, U4567-920, U4567-930 (Incl. It. 25,26)		62	48669001	Lower Handle/Muffler Assem.
	37257175	Air Intake Door Assem. - ABB (Incl. It 25,26) U4539-930			48669017	Lower Handle - U4537-930 (Kohl's)
	42247009	Air Intake Door Assem. - ABM U4537-910, U4537-930 (Incl. It. 25,26)				
28	38351011	Spring				
29	39383097	Dirt Finder Lens				
30	42252229	Hood Assem. w/o Nameplate - AAY - U4551-910, U4551-920				
	42252227	Hood Assem. w/o Nameplate - AG - U4563-910, U4567-910, U4567-920, U4567-930				
	42252292	Hood Assem. w/o Nameplate - ABB - U4585-910, U4539-930				
	42252298	Hood Assem. w/o Nameplate - ABM - U4537-910, U4537-930				
31	37959072	Jacket Support Cap - U4551-910, U4563-910, U4567-910, U4567-930				
32	36425062	Jacket Support Upper - U4551-910, U4563-910, U4567-910, U4567-930				
	36425064	Jacket Support Upper - U4537-910, U4537-930, U4539-930				
33	43686130	Outer Bag Comp. - U4551-910 (Incl. Items 31,32,60)				
	43686132	Outer Bag Comp. - U4563-910,				

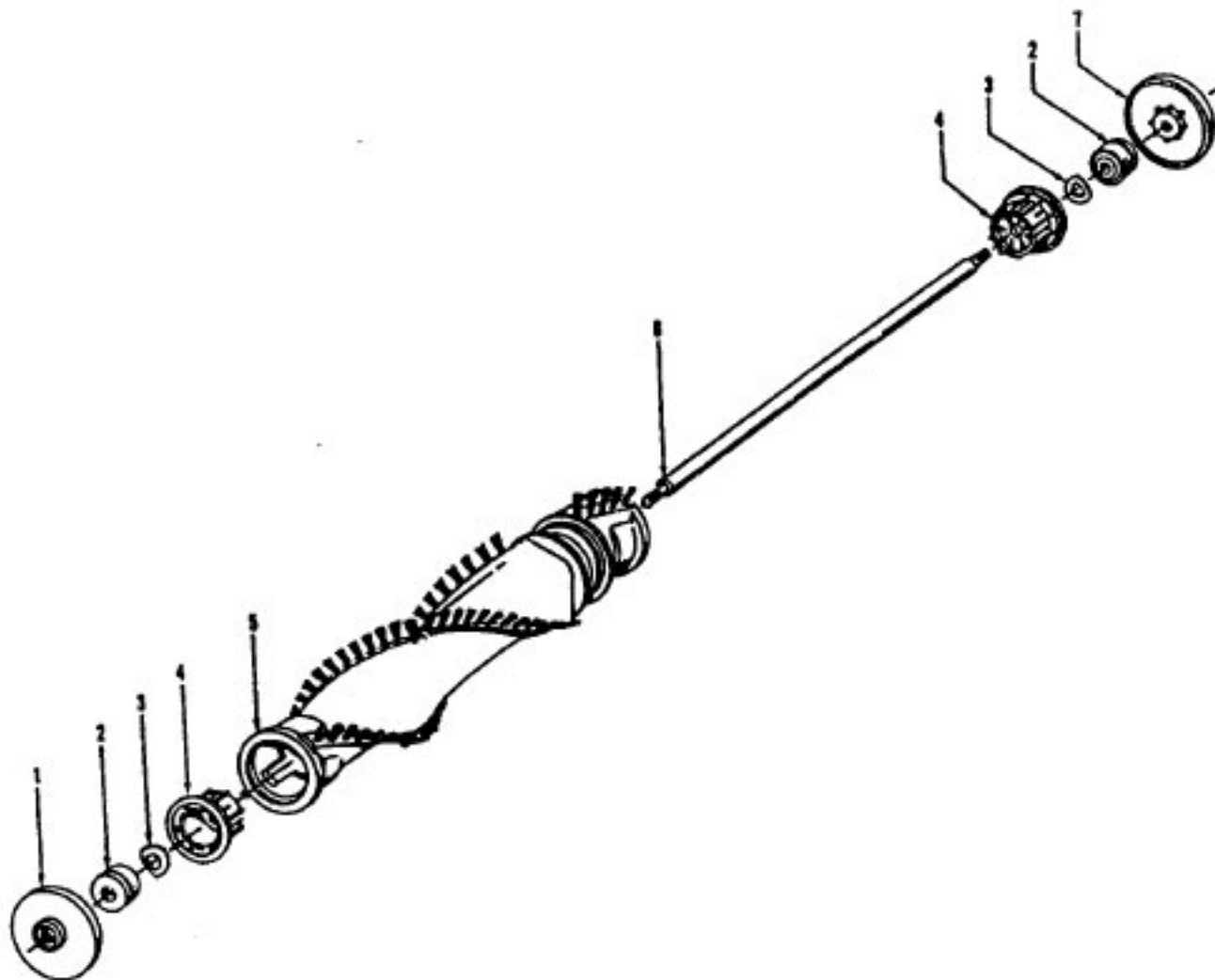
ITEMS NOT ILLUSTRATED

3944201P	Cord Wrap
57363002	Air Freshener Tablet - 1 Pk. - U4585-910
57363003	Air Freshener Tablet - 4 Pk. - U4585-910
56511233	Owner Manual - U4537-930, U4539-930
56511397	Owner Manual - U4567-930
56511373	Owner Manual
56511382	Owner Manual - U4537-910
58174077	Carton - U4537-980
58185184	Carton - Common
58366096	Front Support - U4537-980
58366097	Rear Support - U4537-980
58385018	Cleaner Support
58385021	Cleaner Support - U4537-910, U4537-930
58347026	Carton
38347023	Cleaning Tool Carton - U4537-980
37257170	Tool Holder Door - U4567-920

* Note: Model U4537-980 is an ensemble which includes the Model U4537-930 Legacy II Upright and a Model S1103 Dubl-Duty Wet/Dry Hand Cleaner. (For Model S1103 components see Hand/Stick microfiche sections page 54)

Agitator - 48414081
 Agitator - 48414075

Elite/ Elite II/ Dimension/ Legacy/ TurboPOWER/ Caddy Vac - Four Brush
 Caddy Vac - Four Brush



Ref. No.	Part No.	Description
	48414081	Agitator Assem. Complete (Natural Bristles)
	48414075	Agitator Assem. Complete (Blue Bristles)
1	36423016	Thread Guard - RH
2	43267002	Agitator Bearing Assem. (2)
3	21347003	Conical Washer (2)
4	36422022	Agitator End (2)
5	N/A	Agitator Body
6	32724013	Agitator Shaft
7	36423017	Thread Guard - LH - AG



Ref. No.	Part No.	Description
	43576142	Motor Assem. Comp.
	43576181	Motor Assem. Comp. (Replaced by 43576204)
1	214793DA	Screw-Self Tapping (4)
2	38736033	Fan Chamber
3	38755030	Fan
4	N/A	Rivet - Semi Tubular (2)
5	N/A	Motor Housing Assem.
6	N/A	Motor Brush Holder (2)
7	N/A	Motor Brush Assem. (2)
8	N/A	Bearing
9	N/A	Bearing Retainer
10	36914004	Switch Bus Bar
11	39116005	Attachment Terminal
12	28218043	Switch Assem. - Early Models (Prior to 5/96)
	28161062	Switch Assem. - Late Models (After 5/96)
13	N/A	Armature/Bearing Assem.
14	37194046	Motor End Cap Assem. - MW
15	N/A	Field Assem.
16	N/A	Lamp Holder Assem.
17	21312793	Washer
18	38783020	Duct Seal
19	41311016	Motor Brush Holder Assem.

ITEMS NOT ILLUSTRATED

38781013	Duct Seal (8 1/2" Long adhesive backed foam seal used on early models in place of item 18)
54821001	Tape (Roll)