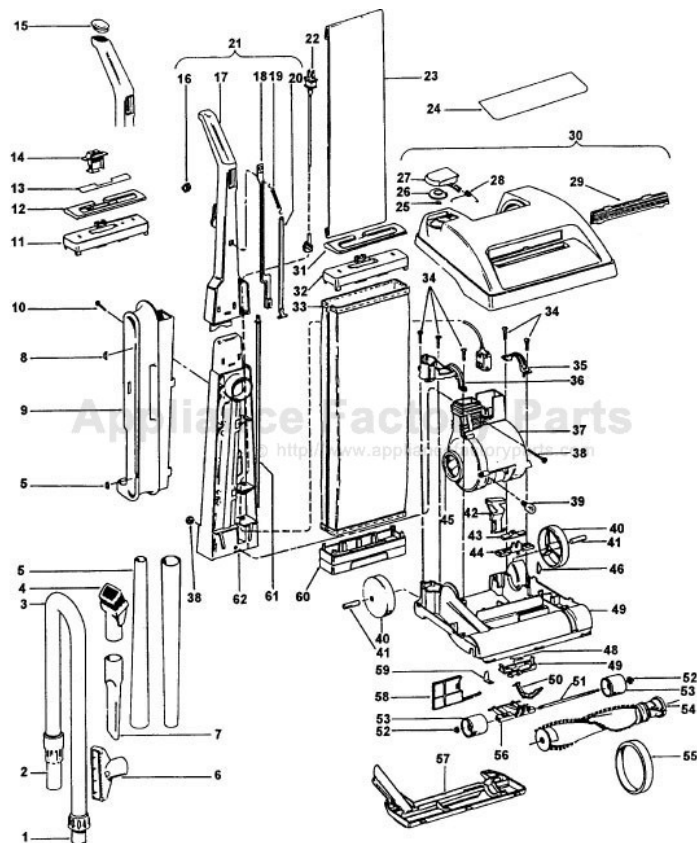


This Owner's Manual is provided and hosted by [Appliance Factory Parts](http://www.appliancefactoryparts.com).



HOOVER U4551-920 Owner's Manual

[Shop genuine replacement parts for HOOVER
U4551-920](#)

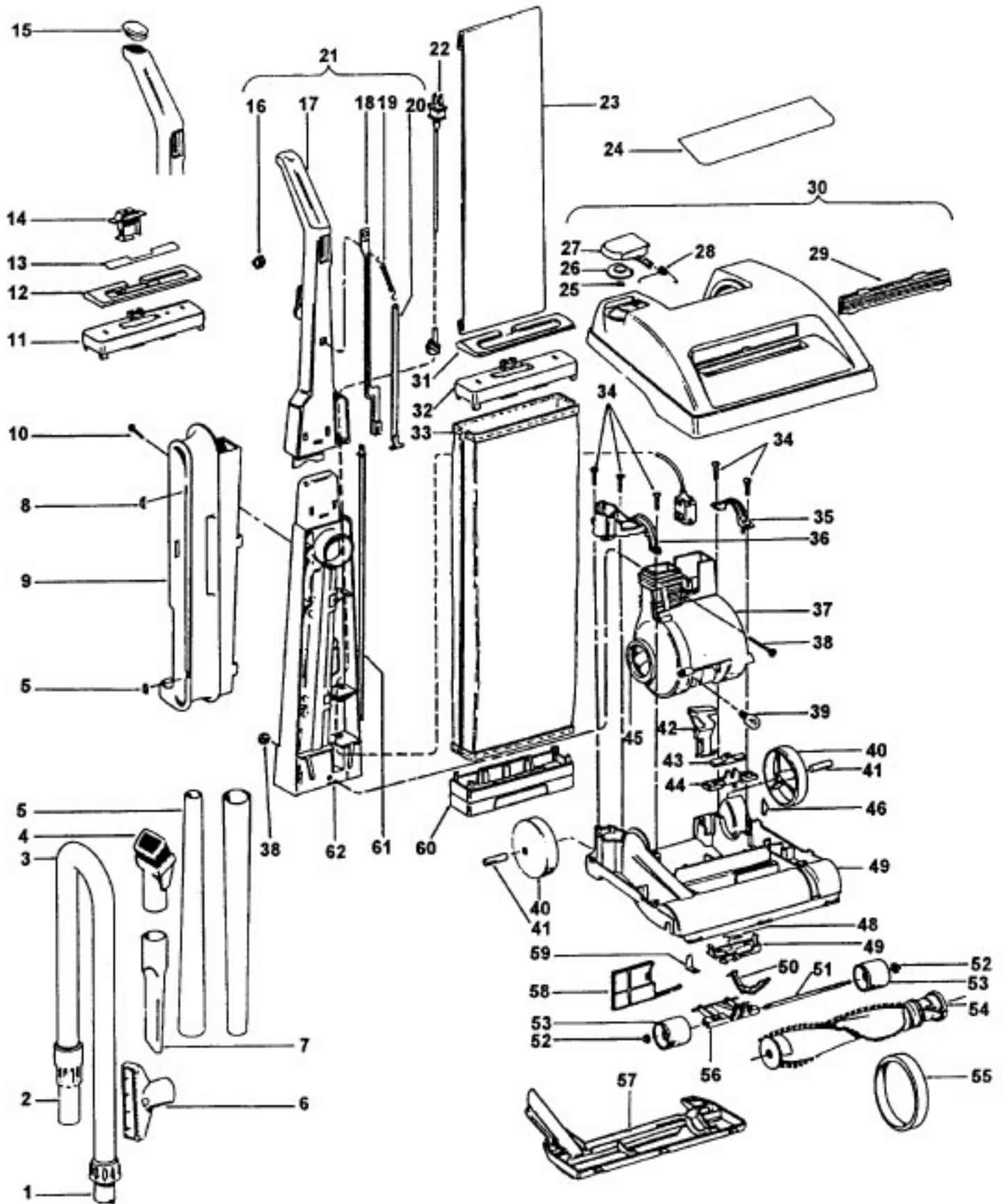


[Find Your HOOVER Vacuum Cleaner Parts - Select From 1456 Models](#)

----- Manual continues below part list -----

Available Replacement Parts for HOOVER U4551-920

H-38528040	BELT VACUUM HOOVER OEM (1 PACK)
48414036	HOOVER ELITE BRUSH ROLLER
H-4010001A	VACUUM BAG OEM HOOVER 3 PACK
H-43267002	AGITATOR BEARING ASM
K-109289	BULB



Legacy II

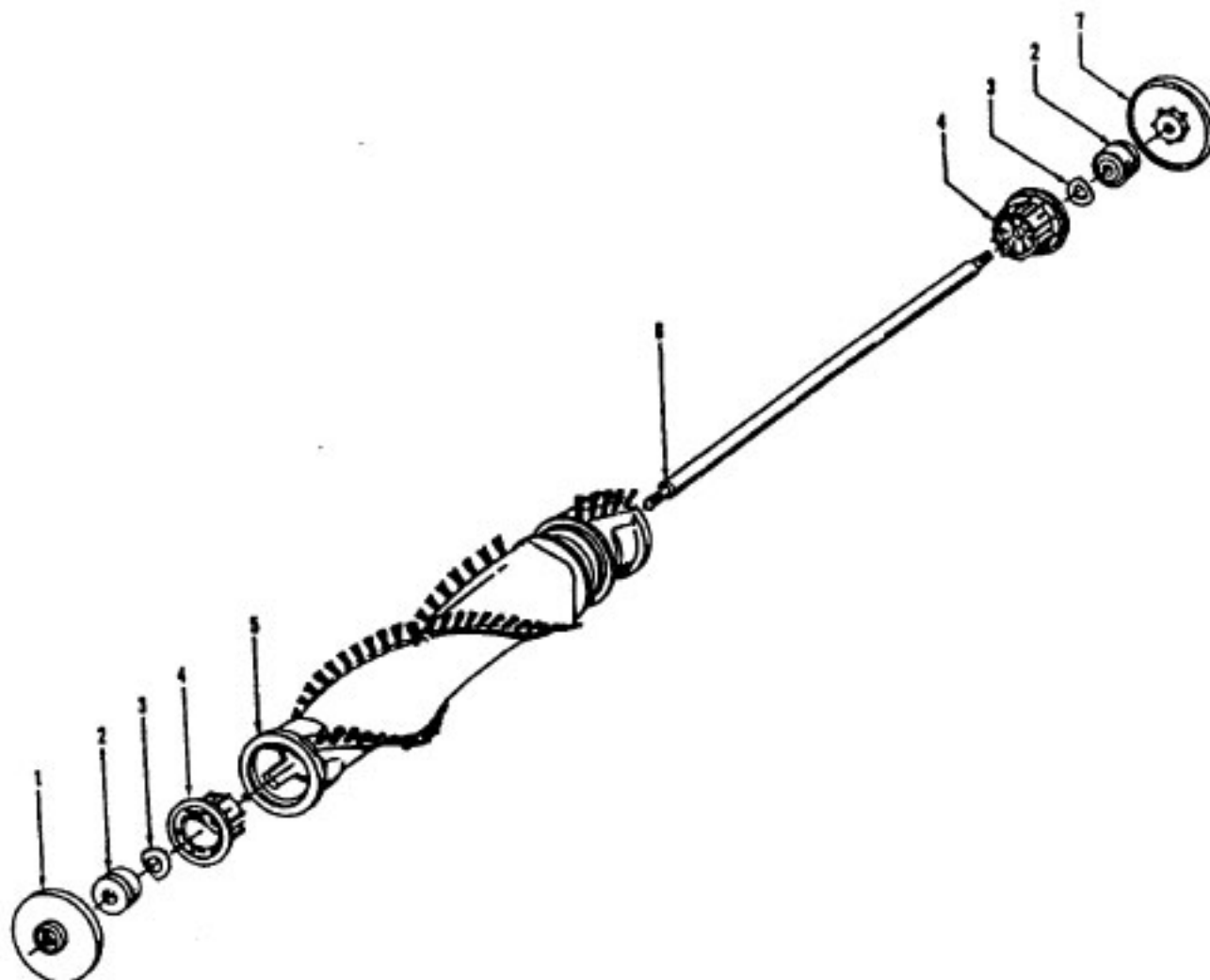
Models U4537-910, U4537-930, * U4537-980, U4539-930, U4551-910, U4551-920, U4563-910, U4567-910, U4567-920, U4567-930, U4585-910

Ref. No.	Part No.	Description	Ref. No.	Part No.	Description
1	32377004	Hose Connector			
2	32288011	Hose Adapter - AG			
3	43434088	Cleaning Tool Hose Assem.		43686133	U4567-910 Incl. Items 31,32,60 Outer Bag Comp. - U4585-910 (Incl. Items 31,32,60)
4	43414145	Dusting Brush - Friction		43686162	Outer Bag Comp. - U4567-920 (Incl. Items 31,32,60)
5	38634078	Extension Tube		43686161	Outer Bag Comp. - U4551-920 (Incl. Items 31,32,60)
6	38614029	Furniture Nozzle		43686160	Outer Bag Comp. - U4537-910 (Incl. Items 32,60)
7	38617024	Crevice Tool		43686175	Outer Bag Comp. - U4537-930 (incl. It 32,60)
8	37941042	Hinge Cap		43686176	Outer Bag Comp. - U4567-930 (Incl. Items 31,32,60)
9	41426087	Tool Holder/Hinge Cap			
	41426019	Tool Holder Assem. - U4537-910, U4537-930, U4539-930			
	41426089	Tool Holder/Door Assem. - U4567-920 U4567-930		43686221	Outer Bag Comp. - U4539-930
10	21447220	Screw - Self Tapping	34	21447217	Screw - Self Tapping
11	38425062	Jacket Support Upper - U4585-910	35	36131090	Motor Retainer Cap - L.H.
12	37959076	Jacket Support Cap - U4585-910	36	38613029	Air Intake
13	51639092	Cap Nameplate - U4585-910	37	43576142	Motor - (P - 202)
14	35111002	Drawer - U4585-910	38	40201085	Nut & Bolt
15	37911079	Handle Cap - ABE - U4537-910, U4537-930, U4563-910	39	27313101	Dirt Finder Lamp
16	38421003	Switch Button	40	38522011	Rear Wheel
17	39458056	Handle Grip - U4551-910, U4551-920, U4567-910, U4567-920, U4567-930, U4585-910, U4539-930	41	31523012	Wheel Shaft
	39458057	Handle Grip - U4537-930 (Kohl's)	42	38458022	Handle Release Lever
18	38458006	Switch Rod Upper	43	38567014	Indicator Knob
19	38335020	Bag Strap Spring	44	38567009	Cam Actuator
20	36425072	Bag Strap	45	38784016	Seal
21	48663164	Upper Handle Assem. - U4551-910, U4551-920, U4567-910, U4567-920, U4567-930 (Kohl's), U4539-930	46	13261AY	Rug Nozzle Rib Shoe
	48663165	Upper Handle Assem. - U4537-910, U4537-930, U4563-910 (w/Handle Cap - Item 15)	47	42242266	Main Body (Incl. Items 40,41,42,46)
22	46388027	Attachment Cord - 35'	48	38351012	Spring
23	4010001A	Disp. Bag - 3 Pk.	49	38563013	Nozzle Height Adj. Cam
	4010100A	Disp. Bag - 3 Pk. - Micro - U4537-910, U4537-930, U4567-920, U4567-930	50	38452089	Lever (Use wheel assem. 43248059)
24	51669066	Hood Nameplate	51	32563012	Wheel Shaft (Use 43248059)
	52115183	Hood Nameplate - U4551-910	52	36131056	Wheel Retainer
	52115184	Hood Nameplate - U4563-910	53	43248059	Front Wheel
	52115188	Hood Nameplate - U4567-910	54	48414081	Agitator - (P - 204)
	52115185	Hood Nameplate - U4585-910	55	38528027	Belt
	52115190	Hood Nameplate - U4537-910	56	43248059	Front Wheel Assem. (Incl. It. 50, 51, 53)
	52115189	Hood Nameplate - U4567-920	57	37245108	Bottom Plate
25	21362006	Speed Nut	58	38718005	Valve Gate
26	38784056	Seal	59	34572002	Cam Actuator Spring
27	42247005	Air Intake Door Assem. - AAY U4551-910, U4551-920 (Incl. Items 25,26)	60	36425053	Jacket Support Lower
	42247003	Air Intake Door Assem. - AG - U4563-910, U4567-910, U4567-920, U4567-930 (Incl. It. 25,26)	61	38458046	Switch Rod Lower
	37257175	Air Intake Door Assem. - ABB (Incl. It 25,26) U4539-930	62	48669001	Lower Handle/Muffler Assem.
	42247009	Air Intake Door Assem. - ABM U4537-910, U4537-930 (Incl. It. 25,26)		48669017	Lower Handle - U4537-930 (Kohl's)
28	38351011	Spring	ITEMS NOT ILLUSTRATED		
29	39383097	Dirt Finder Lens		3944201P	Cord Wrap
30	42252229	Hood Assem. w/o Nameplate - AAY - U4551-910, U4551-920		57363002	Air Freshener Tablet - 1 Pk. - U4585-910
	42252227	Hood Assem. w/o Nameplate - AG - U4563-910, U4567-910, U4567-920, U4567-930		57363003	Air Freshener Tablet - 4 Pk. - U4585-910
	42252292	Hood Assem. w/o Nameplate - ABB - U4585-910, U4539-930		56511233	Owner Manual - U4537-930, U4539-930
	42252298	Hood Assem. w/o Nameplate - ABM - U4537-910, U4537-930		56511397	Owner Manual - U4567-930
31	37959072	Jacket Support Cap - U4551-910, U4563-910, U4567-910, U4567-930		56511373	Owner Manual
32	36425062	Jacket Support Upper - U4551-910, U4563-910, U4567-910, U4567-930		56511382	Owner Manual - U4537-910
	36425064	Jacket Support Upper - U4537-910, U4537-930, U4539-930		58174077	Carton - U4537-980
33	43686130	Outer Bag Comp. - U4551-910 (Incl. Items 31,32,60)		58185184	Carton - Common
	43686132	Outer Bag Comp. - U4563-910,		58366096	Front Support - U4537-980
				58368097	Rear Support - U4537-980
				58385018	Cleaner Support
				58385021	Cleaner Support - U4537-910, U4537-930
				58347026	Carton
				38347023	Cleaning Tool Carton - U4537-980
				37257170	Tool Holder Door - U4567-920

* Note: Model U4537-980 is an ensemble which includes the Model U4537-930 Legacy II Upright and a Model S1103 Dubl-Duty Wet/Dry Hand Cleaner. (For Model S1103 components see Hand/Stick microfiche sections page 54)

Agitator - 48414081
Agitator - 48414075

Elite/ Elite II/ Dimension/ Legacy/ TurboPOWER/ Caddy Vac - Four Brush
Caddy Vac - Four Brush



Ref. No.	Part No.	Description
	48414081	Agitator Assem. Complete (Natural Bristles)
	48414075	Agitator Assem. Complete (Blue Bristles)
1	36423016	Thread Guard - RH
2	43267002	Agitator Bearing Assem. (2)
3	21347003	Conical Washer (2)
4	36422022	Agitator End (2)
5	N/A	Agitator Body
6	32724013	Agitator Shaft
7	36423017	Thread Guard - LH - AG



Ref. No.	Part No.	Description
	43576142	Motor Assem. Comp.
	43576181	Motor Assem. Comp. (Replaced by 43576204)
1	214793DA	Screw-Self Tapping (4)
2	38736033	Fan Chamber
3	38755030	Fan
4	N/A	Rivet - Semi Tubular (2)
5	N/A	Motor Housing Assem.
6	N/A	Motor Brush Holder (2)
7	N/A	Motor Brush Assem. (2)
8	N/A	Bearing
9	N/A	Bearing Retainer
10	36914004	Switch Bus Bar
11	39116005	Attachment Terminal
12	28218043	Switch Assem. - Early Models (Prior to 5/96)
	28161062	Switch Assem. - Late Models (After 5/96)
13	N/A	Armature/Bearing Assem.
14	37194046	Motor End Cap Assem. - MW
15	N/A	Field Assem.
16	N/A	Lamp Holder Assem.
17	21312793	Washer
18	38783020	Duct Seal
19	41311016	Motor Brush Holder Assem.

ITEMS NOT ILLUSTRATED

38781013	Duct Seal (8 1/2" Long adhesive backed foam seal used on early models in place of item 18)
54821001	Tape (Roll)