

Use & Care Guide
Manual de Uso y Cuidado
Guide d'Utilisation et d'Entretien
English / Español / Français



For best results, a low-sudsing, HE High Efficiency Detergent made for high efficiency washers must be used.



Para obtener los mejores resultados, deberá utilizarse un detergente HE para lavadoras de alta eficacia y baja espuma.

Pour obtenir de meilleurs résultats, un savonnage lent, vous devez utiliser un détergent "HE High Efficiency" hautement efficace conçu pour des laveuses.

Models/Modelos/Modèles: 796.2927*

Kenmore Elite

High Efficiency Washer

Lavadora de alta eficacia
Laveuse hautement efficace

* = color number, numero de color, le nombre de couleur



Protocol P172

Sanitization Performance of
Residential and Commercial,
Family Sized Clothes Washers

Protocolo P172

Ejecución de saneamiento de
lavadoras domésticas y
comerciales de tamaño familiar

Protocole P172

Performance en matière
d'assainissement des lave-linges
de grande taille à usage
domestique et commercial

P/N MFL42065471
Sears Brands Management
Corporation, Hoffman Estates,
IL 60179 USA
www.sears.com
www.sears.ca



TABLE OF CONTENTS

SAFETY MESSAGES 3
IMPORTANT SAFETY INSTRUCTIONS 3-5
GROUNDING INSTRUCTIONS 5

FEATURES AND BENEFITS
 Key Parts and Components 6

INSTALLATION INSTRUCTIONS
 Key Dimensions and Specifications 7
 Choose the Proper Location 7
 Flooring 7
 Clearances 7
 Unpacking the Washer 8
 Connecting the Water Lines 9
 Connecting the Drain Line 10
 Connect to the Power Supply 10
 Leveling the Washer 11

HOW TO USE
 Control Panel Features 12
 Operating the Washer 13
 Cycle Guide 14
 Sorting Wash Loads 15
 About the Dispenser 16
 Detergent and Dispenser Use 17
 Time and Status Display 18
 Cycle Modifier Buttons 19
 Cycle Option Buttons 20-22
 Special Safety Feature 22

CARE AND CLEANING
 Regular Cleaning 23-24
 Maintenance 24
 Cleaning the Washer 25

TROUBLESHOOTING GUIDE
 Normal Sounds You May Hear 26
 Before Calling for Service 26-30

WARRANTY 31

PRODUCT RECORD

In the space below, record the date of purchase, model, and serial number of your product. You will find the model and serial number printed on an identification plate located inside the washer lid. Have these items of information available whenever you contact Sears concerning your product.

Model No. _____

Date of Purchase _____

Serial No. _____

Save these instructions and your sales receipt for future reference.

PROTECTION AGREEMENTS

Master Protection Agreements

Congratulations on making a smart purchase. Your new Kenmore® product is designed and manufactured for years of dependable operation. But like all products, it may require preventive maintenance or repair from time to time. That's when having a Master Protection Agreement can save your money and aggravation.

The Master Protection Agreement also helps extend the life of your new product. Here's what the Agreement* includes:

- **Parts and labor** needed to help keep products operating properly **under normal use**, not just defects. Our coverage goes **well beyond the product warranty**. No deductible, no functional failure excluded from coverage -**real protection**.
- **Expert service** by a force of more than 10,000 authorized **Sears service technicians**, which means someone you can trust will be working on your product.
- **Unlimited service calls and nationwide service**, as often as you want us, whenever you want us.
- **"No-lemon" guarantee**-replacement of your covered product if four or more product failures occur within twelve months.
- **Product replacement** if your covered product can't be fixed.
- **Annual Preventive Maintenance Check** at your request-no extra charge.
- **Fast help by phone**-we call it **Rapid Resolution**. Phone support from a Sears representative on all products. Think of us as a "talking owner's manual."
- **Power surge protection** against electrical damage due to power fluctuations.
- **\$250 food loss protection annually** for any food spoilage that is the result of mechanical failure of any covered refrigerator or freezer.
- **Rental reimbursement** if repair of your covered product takes longer than promised.
- **10% discount** off the regular price of any non-covered repair service and related installed parts

Once you purchase the Agreement, a simple phone call is all that it takes for you to schedule service. You can call anytime day or night or schedule a service appointment online.

The Master Protection Agreement is a risk-free purchase. If you cancel for any reason during the product warranty period, we will provide a full refund, or a prorated refund anytime after the product warranty period expires. Purchase your Master Protection Agreement today!

Some limitations and exclusions apply. For prices and additional information in the U.S.A. call 1-800-827-6655.

***Coverage in Canada varies on some items. For full details call Sears Canada at 1-800-361-6665.**

Sears Installation Service

For Sears professional installation of home appliances, garage lid openers, water heaters, and other major home items, in the U.S.A. or Canada call 1-800-4-MY-HOME®.

SAFETY MESSAGES

We have provided many important safety messages in this manual and on your appliance. Always read and obey all safety messages.



This is the safety alert symbol.

This symbol alerts you to potential hazards that can result in property damage and/or serious bodily harm or death.

All safety messages will follow the safety alert symbol and either the word DANGER or WARNING. These words mean:

DANGER

Failure to follow these safety instructions may result in property damage and/or serious bodily harm or death.

WARNING

Failure to follow these safety instructions may result in property damage and/or serious bodily harm or death.

All safety messages will tell you what the potential hazard is, tell you how to reduce the chance of injury, and tell you what can happen if the instructions are not followed.

IMPORTANT SAFETY INSTRUCTIONS

WARNING

To reduce the risk of fire, electric shock, or injury to persons when using this appliance, follow basic precautions, including the following.

- Before use, the washer must be properly installed as described in this manual.
- Do not wash articles that have been previously cleaned in, washed in, soaked in, or spotted with gasoline, dry cleaning solvents, or other flammable or explosive substances, as they give off vapors that could ignite or explode.
- Do not add gasoline, dry cleaning solvents, or other flammable or explosive substances to the wash water. These substances give off vapors that could ignite or explode.
- Under certain conditions, hydrogen gas may be produced in a hot water system that has not been used for 2 weeks or more. **HYDROGEN GAS IS EXPLOSIVE.** If the hot water system has not been used for such a period, before using the washer, turn ON all hot water faucets and let the water flow from each for several minutes. This will release any accumulated hydrogen gas. As the gas is flammable, do not smoke or use an open flame during this time.
- Do not allow children to play on or in the washer. Close supervision of children is necessary when the washer is used near children.
- Before the washer is removed from service or discarded, remove the lid to prevent children from climbing inside.
- Do not install or store the washer where it will be exposed to the weather or freezing temperatures.
- Do not tamper with controls.
- Do not repair or replace any part of the washer or attempt any servicing other than as described in this manual. We strongly recommend that any service be performed by a qualified individual.
- See Installation Instructions for grounding requirements.
- ALWAYS follow the fabric care instructions supplied by the garment manufacturer.
- Do not place items exposed to cooking oil in your washer. Items contaminated with cooking oils may contribute to a chemical reaction that could cause a load to catch fire.
- Use fabric softeners or products to eliminate static only as recommended by the manufacturer.
- This washer is not designed for maritime use or for mobile installations such as in RVs, aircraft, etc.
- Turn OFF the water taps and unplug the washer if the machine is to be left for an extended period of time, such as during vacations.
- Packaging material can be dangerous for children. There is a risk of suffocation! Keep all packaging from children.
- Always check the inside of the washer for foreign objects before loading laundry. Keep the lid closed when not in use.
- Do not reach into the washer while parts are moving.

IMPORTANT SAFETY INSTRUCTIONS

WARNING

To reduce the risk of fire, electric shock, or injury to persons when using this appliance, follow basic precautions, including the following.

- **Unplug the washer before cleaning** to avoid the risk of electric shock.
- **Never use harsh chemicals, abrasive cleaners, or solvents to clean the washer.** They will damage the finish.
- **Do not put oily or greasy rags or clothing on top of the washer.** These substances give off vapors that could ignite the materials.
- **Do not wash items that are soiled with vegetable or cooking oil.** These items may contain some oil after laundering and may catch fire.
- **Disconnect this appliance from the power supply before attempting any user maintenance. Turning the controls to the OFF position does not disconnect this**

appliance from the power supply. Failure to follow this warning can cause serious injury, fire, electrical shock, or death.

- **Do not combine detergents, fabric softeners, and other laundry products from different manufacturers for use in one load unless specified on the label.**
- **Do not mix chlorine bleach with ammonia or acids such as vinegar. Follow package directions when using laundry products.** Incorrect usage can produce poisonous gas, resulting in serious injury or death.
- **Do not reach into the washer while parts are moving. Before loading, unloading or adding items, press the START/PAUSE button and allow the drum to coast to a complete stop before reaching inside.** Failure to follow this warning can cause serious injury, fire, electrical shock, or death.

WARNING

- **Refer to INSTALLATION INSTRUCTIONS for detailed grounding procedures.** Installation instructions are packed in the washer for installer's reference. If the washer is moved to a new location, have it checked and reinstalled by a qualified service person. Failure to follow this warning can cause serious injury, fire, electrical shock, or death.
- **Do not, under any circumstances, cut or remove the third (ground) prong from the power cord.** Failure to follow this warning can cause serious injury, fire, electrical shock, or death.
- **For personal safety, this appliance must be properly grounded.** Failure to follow this warning can cause serious injury, fire, electrical shock, or death.
- **The power cord of this appliance is equipped with a 3-prong (grounding) plug which mates with a standard 3-prong (grounding) wall outlet** to minimize the possibility of electric shock hazard from this appliance.
- **This washer must be plugged into a 120VAC, 60Hz grounded outlet.** Failure to follow this warning can cause serious injury, fire, electrical shock, or death.
- **Have the wall outlet and circuit checked by a qualified electrician to make sure the outlet is properly grounded.** Failure to follow this warning can cause serious injury, fire, electrical shock, or death.
- **Where a standard 2-prong wall outlet is encountered, it is your personal responsibility and obligation to have it replaced with a properly grounded 3-prong wall outlet.** Failure to follow this warning can cause serious injury, fire, electrical shock, or death.
- **Do not install on carpet. Install washer on a solid floor.** Failure to follow this warning can cause serious leak damage.
- **Do not remove grounding prong. Do not use an adapter or extension cord. Plug into a grounded 3-prong outlet.** Failure to follow these warnings can cause serious injury, fire, electrical shock, or death.

- **The washer should always be plugged into its own individual electrical outlet which has a voltage rating that matches the rating plate.** This provides the best performance and also prevents overloading house wiring circuits which could cause a fire hazard from overheated wires.
- **Never unplug your washer by pulling on the power cord.** Always grip plug firmly and pull straight out from the outlet. Failure to follow this warning can cause serious injury, fire, electrical shock, or death.
- **Repair or replace immediately all power cords that have become frayed or otherwise damaged. Do not use a cord that shows cracks or abrasion damage along its length or at either end.** Failure to follow this warning can cause serious injury, fire, electrical shock, or death.
- **When installing or moving the washer, be careful not to pinch, crush, or damage the power cord.** Failure to follow this warning can cause serious injury, fire, electrical shock, or death.
- **The washer must be installed and electrically grounded by a qualified service person in accordance with local codes** to prevent shock hazard and assure stability during operation.
- **Wahser is heavy. Two or more people may be needed to install and move the appliance.** Failure to do so can result in back or other injury.
- **Store and install the washer where it will not be exposed to temperatures below freezing or exposed to outdoor weather conditions.** Failure to follow this warning can cause serious leak damage.
- **To reduce the risk of electric shock, do not install the washer in humid spaces.** Failure to follow this warning can cause serious injury, fire, electrical shock, or death.
- **To reduce the risk of personal injury, adhere to all industry recommended safety procedures including the use of long sleeved gloves and safety glasses.** Failure to follow all of the safety warnings in this manual could result in property damage, personal injury or death.

IMPORTANT SAFETY INSTRUCTIONS

⚠ WARNING: RISK TO CHILDREN

- **Do not allow children to play on or in the washer. Close supervision of children is necessary when the washer is used near children. As children grow, teach them the proper, safe use of all appliances.** Failure to comply with these warnings could result in serious personal injuries or death.
- **Destroy the carton, plastic bag, and other packing materials after the washer is unpacked. Children might use them for play. Cartons covered with rugs, bedspreads, or plastic sheets can become airtight chambers.** Failure to comply with these warnings could result in serious personal injuries or death.
- **Keep laundry products out of children's reach. To prevent personal injury, observe all warnings on product labels.** Failure to comply with these warnings could result in serious personal injuries.
- **Remove the lid to the washing compartment to avoid the danger of children or small animals getting trapped inside before your washer is removed from service or discarded.** Failure to do so can result in serious personal injury or death.

GROUNDING INSTRUCTIONS

IMPORTANT: Please read carefully. TO CONNECT ELECTRICITY

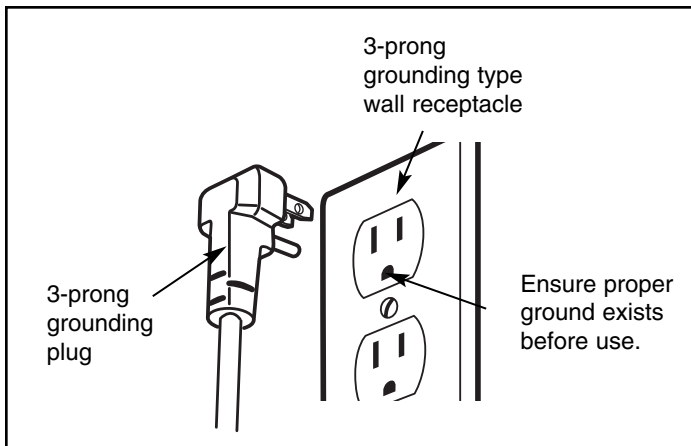
⚠ WARNING

Improper connection of the equipment-grounding conductor can result in risk of electric shock. Check with a qualified electrician or serviceman if you are in doubt as to whether the appliance is properly grounded. Do not modify the plug provided with the appliance. If it does not fit the outlet, have a proper outlet installed by a qualified electrician. Failure to follow these warnings can cause serious injury, fire, electrical shock, or death.

GROUNDING INSTRUCTIONS

This appliance must be grounded. In the event of malfunction or breakdown, grounding will reduce the risk of electric shock by providing a path of least resistance for electric current. This appliance is equipped with a cord having an equipment-grounding conductor and grounding plug. The plug must be plugged into an appropriate outlet that is properly installed and grounded in accordance with all local codes and ordinances.

ENGLISH



FEATURES AND BENEFITS

KEY PARTS AND COMPONENTS

A LID LOCK

The washer lid is locked during operation. The lid can be unlocked by pressing the START/PAUSE button to stop the washer.

B ULTRA-CAPACITY STAINLESS STEEL TUB

The ultra-large stainless steel tub offers extreme durability.

C SOFT CLOSE LID

The SOFT CLOSE lid is a safety device that closes the lid slowly. The SOFT CLOSE hinges allow the lid to close gently and quietly.

D TEMPERED GLASS LID

The tempered glass lid is durable and makes it easy to observe the washer.

E CYCLE SELECTOR KNOB

Turn this knob to select the desired cycle. Once the desired cycle has been selected, the standard presets will be shown in the display. These settings can be adjusted using the cycle setting buttons anytime before starting the cycle.

F REAR CONTROL PANEL WITH LED DISPLAY

The easy-to-read LED display show cycle options, settings, cycle status and estimated time remaining.

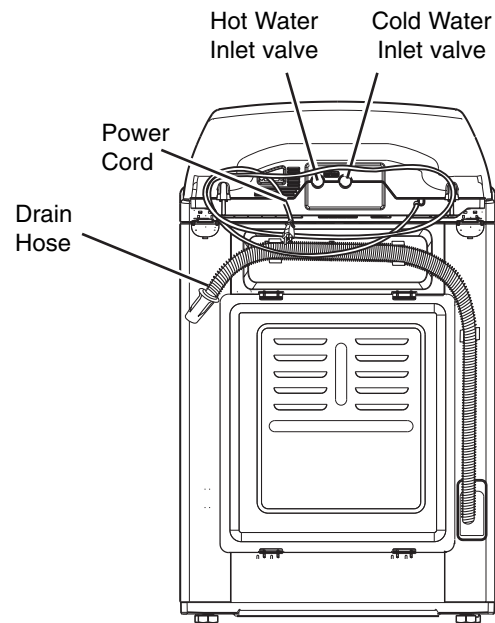
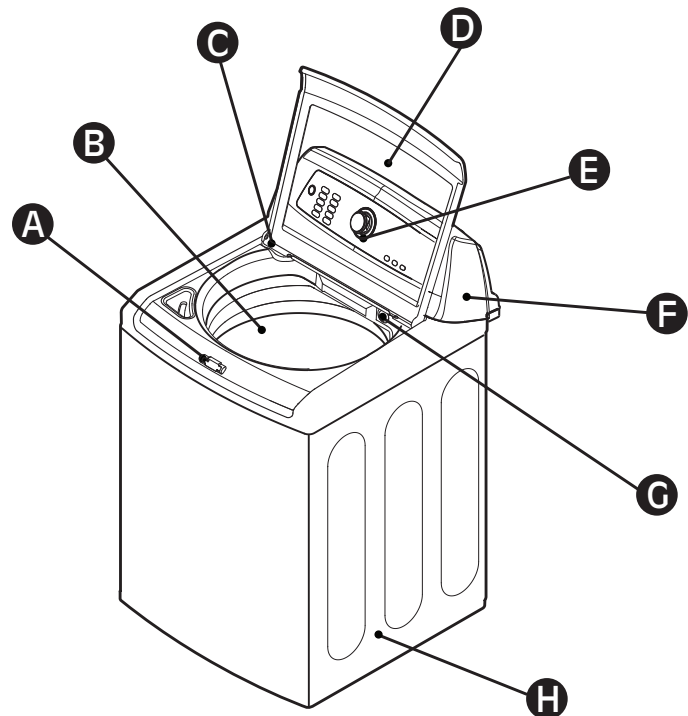
G SMARTRINSE WITH JET RINSE

This washer is designed to save rinse water by using the SMARTRINSE with jet rinse in NORMAL/CASUAL and HEAVY DUTY cycles.

NOTE: Select the FABRIC SOFTENER option or EXTRA RINSE option if liquid fabric softener is used in NORMAL/CASUAL and HEAVY DUTY cycles. Failure to select the these options will greatly reduce the effectiveness of the softener.

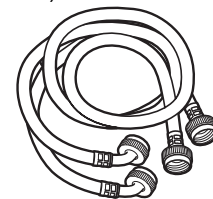
H WATER HEATER (NOT VISIBLE)

The heater inside the tub is used to increase the water temperature if the incoming water is not at the correct temperature. This makes sure the water reaches the proper temperature for the selected cycle or options, especially for the SANITIZE and WHITEST WHITES cycles.



Included Accessories

- Hot and Cold Water Hoses (with 2 seals per hose at each ends)



- Cable tie (for securing drain hose)



INSTALLATION INSTRUCTIONS

KEY DIMENSIONS AND SPECIFICATIONS

Description	Top-Loading Washer
Rated Voltage/Frequency	120VAC, 60Hz
Dimensions	27"(W) X 28 ³ / ₈ " (D) X 45 ³ / ₈ " (H), 55 ³ / ₄ " (H with lid open) 68.6 cm (W) X 72.1 cm (D) X 115.3 cm (H), 141.7 cm (H with lid open)
Net Weight	145.5 lbs. (66 kg)

CHOOSE THE PROPER LOCATION

WARNING

- **The washer is heavy! Two or more people are required when moving and unpacking the washer.** Failure to do so may result in damage to property or serious bodily harm.
- **Store and install the washer where it will not be exposed to temperatures below freezing or exposed to outdoor weather conditions.** Failure to follow this warning can cause serious injury, fire, electrical shock, or death.
- **Properly ground washer to conform with all governing codes and ordinances.** Failure to follow this warning can cause serious injury, fire, electrical shock, or death.
- **To reduce the risk of electric shock, do not install the washer in humid spaces.** Failure to follow this warning can cause serious injury, fire, electrical shock, or death.
- The base opening must not be obstructed by carpeting when the washer is installed on a carpeted floor.
- Keep the area underneath and around your appliances free of combustible materials such as lint, paper, rags, chemicals, etc.
- **Do not remove ground prong. Do not use an adapter or extension cord. Plug into a grounded 3-prong outlet.** Failure to follow this warning can cause serious injury, fire, electrical shock, or death.

Power Outlet

- The power outlet must be within 60 in. (1.5 m) of either side of the washer.
- The appliance and outlet must be positioned so that the plug is easily accessible.
- Do not overload the outlet with more than one appliance.
- The outlet must be grounded in accordance with current wiring codes and regulations.
- Time-delay fuse or circuit breaker is recommended.

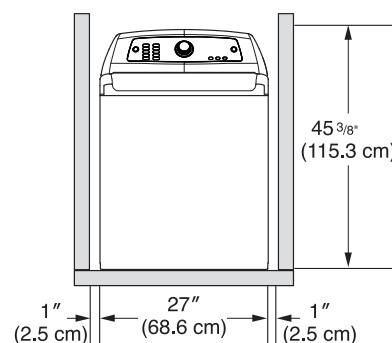
NOTE: It is the personal responsibility and obligation of the product owner to have a proper outlet installed by a qualified service person.

FLOORING

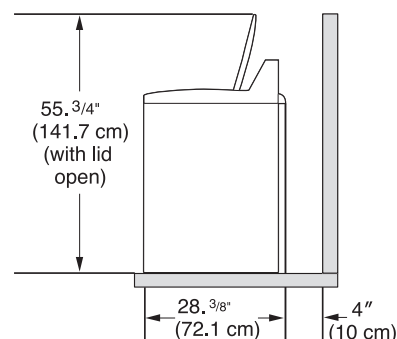
- To minimize noise and vibration, the washer **MUST** be installed on a solidly constructed floor. See the NOTE.
- Allowable slope under the entire washer is a maximum 1" difference from side to side or from front to back.
- Carpeting and soft tile surfaces are not recommended.
- Never install the washer on a platform or weakly supported structure.

NOTE: The washer must be installed on firm flooring to minimize vibration during the spin cycle. Concrete flooring is best, but a wood floor is sufficient, provided it is built to FHA standards. The washer should not be installed on rugs or exposed to weather.

CLEARANCES



To ensure sufficient clearance for water lines and airflow, allow minimum clearances of at least 1 in. (2.5 cm) at the sides and 4 in. (10 cm) behind the unit. Be sure to allow for wall, lid, or floor moldings that may increase the required clearances.



Minimum vertical space from floor to overhead shelves, cabinets, ceilings, etc., is 56".

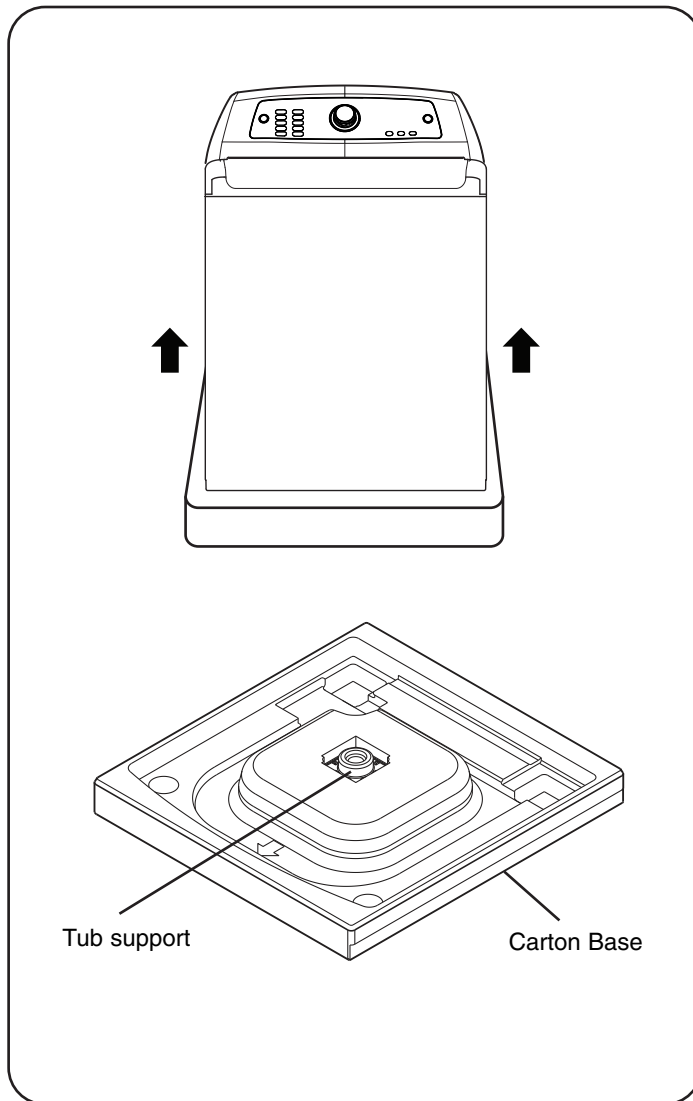
INSTALLATION INSTRUCTIONS

UNPACKING THE WASHER

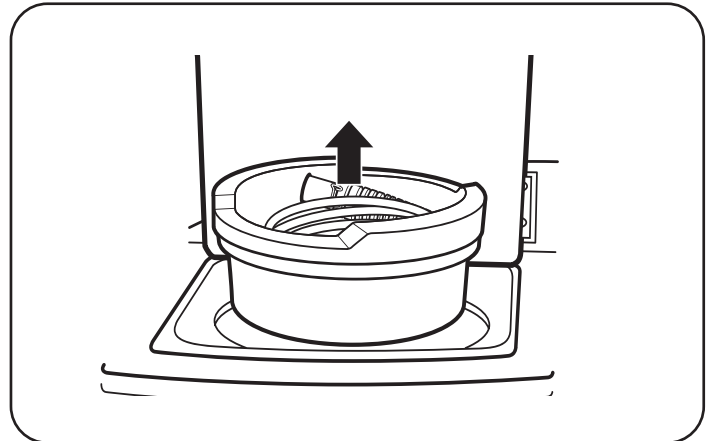
When removing the washer from the carton base, be sure the plastic tub support comes off with the base.

If you must lay the washer down to remove the base packaging materials, always protect the side of the washer and lay it carefully on its side. **DO NOT** lay the washer on its front or back.

ENGLISH

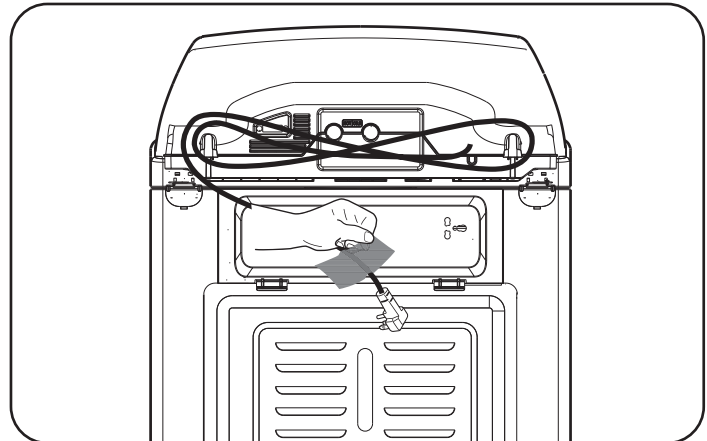


1. After removing the carton and shipping material, lift the washer off the foam base. Make sure the plastic tub support comes off with the base and is not stuck to the bottom of the washer.



2. Remove the packing block containing the owner's manual, parts, water hoses, and laundry product samples.

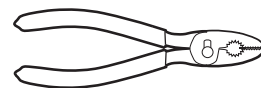
NOTE: Do not remove the foam block until the washer is at the final location.



3. Unfasten the power cord from the back of the washer.

TOOLS YOU WILL NEED

- Adjustable Pliers



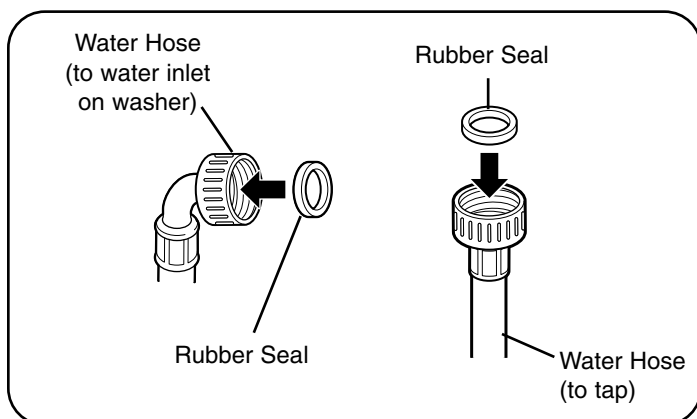
- Carpenter's Level



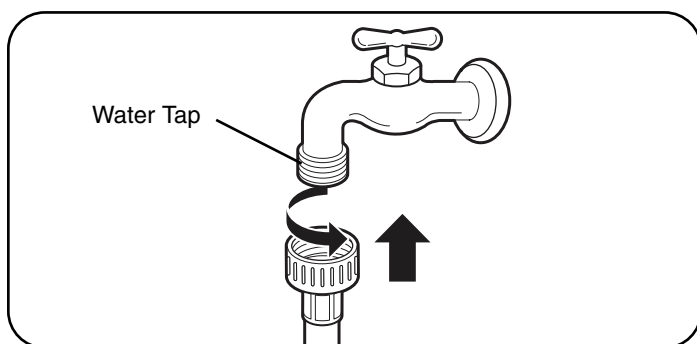
INSTALLATION INSTRUCTIONS

CONNECTING THE WATER LINES

- **IMPORTANT:** Use new hoses when installing the washer. Do NOT reuse old hoses.
- **IMPORTANT:** Use ONLY the inlet hoses provided with this laundry product. Aftermarket hoses are not guaranteed to fit or function correctly. Other hoses may not tighten correctly and could cause leaks. Subsequent damage to product or property will not be covered under the terms of the product warranty.
- Water supply pressure must be between 14.5 psi and 116 psi (100~800 kPa). If the water supply pressure is more than 116 psi, a pressure regulator must be installed.
- Periodically check the hose for cracks, leaks, and wear, and replace the hose every 5 years.
- Make sure that the water lines are not stretched, pinched, crushed, or kinked.
- The washer should never be installed or stored in a location subject to freezing temperatures. Damage to the water lines and internal mechanisms of the washer can result. If the washer was exposed to freezing temperatures prior to installation, allow it to stand at room temperature for several hours before use and check for leaks prior to operation.



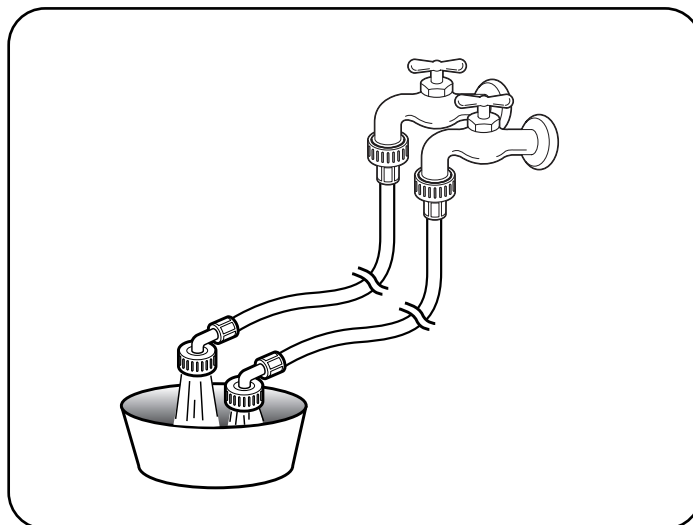
1. Inspect the threaded fitting on each hose and make sure there is a rubber seal in place in both ends.



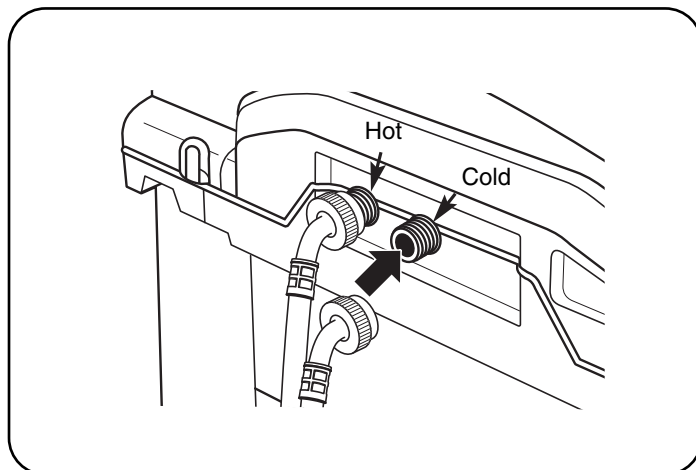
2. Connect the water supply hoses to the HOT and COLD water faucets tightly by hand and then tighten another 2/3 turn with pliers. Turn ON the water faucets and check for leaks.

NOTE: A water heater set to deliver 120°F (49°C) water to the washer.

NOTE: To avoid build up that can clog the inlet valve screen, thoroughly flush both faucet and hose to remove any particles or other impurities by running water through them into a container.



3. Always flush a gallon or two of water through each fill hose to help prevent future problems with clogged filter screens. This will also help identify which hose is hot and cold.



4. Attach the red, hot water line to the hot water inlet on the back of the washer. Attach the blue, cold water line to the cold water inlet on the back of the washer. Tighten the fittings securely.

NOTE: Be careful not to cross-thread the hose fittings since this will damage the valve and could result in property damage from leaks.

NOTE: Do not cross-thread the hose fittings. Attach the hot water line to the red hot water inlet on the back of the washer. Attach the cold water line to the blue cold water inlet on the back of the washer. Tighten the fittings securely.

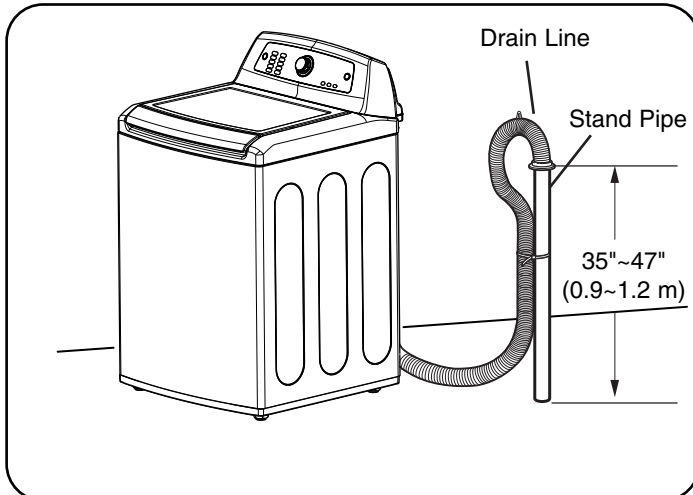
NOTE: Tighten the fittings securely. Open the water taps fully to check for leaks.

INSTALLATION INSTRUCTIONS

CONNECTING DRAIN LINE

- The drain hose should always be properly secured. Failure to properly secure the drain hose can result in flooding and property damage.
- The drain must be installed in accordance with any applicable local codes and regulations.
- Make sure that the drain hose is not stretched, pinched, crushed, or kinked.

Option 1: Standpipe

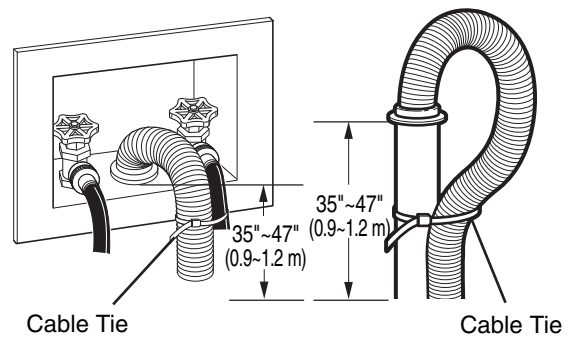


NOTE:

- Total height of the hose end should be approximately 35"~47" (0.9~1.2 m) from the floor.
- The drain hose should be inserted no more than 4 inches into the standpipe.
- Do not install the end of the drain hose higher than 96 in. (243.8 cm) above the bottom of the washer.

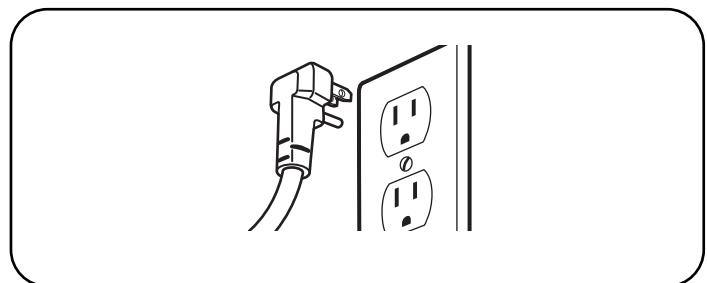
Firmly insert the free end of the drain hose into the drain opening of your home. Make sure the soft rubber end is completely inside the drain opening.

- If the water valves and drain are built into the wall, fasten the drain hose to one of the water hoses with the cable tie (ribbed side on inside).
- If your drain is a standpipe, fasten the drain hose to the standpipe with the cable tie provided.



CONNECT TO THE POWER SUPPLY

Washer should be plugged into a 120-VAC, 60-Hz grounded 3-prong outlet. Plug in the washer.



⚠ WARNING

Improper connection of the equipment-grounding conductor can result in risk of electric shock. Check with a qualified electrician or serviceman if you are in doubt as to whether the appliance is properly grounded. Do not modify the plug provided with the appliance. If it does not fit the outlet, have a proper outlet installed by a qualified electrician. Failure to follow these warnings can cause serious injury, fire, electrical shock, or death.

INSTALLATION INSTRUCTIONS

LEVELING THE WASHER

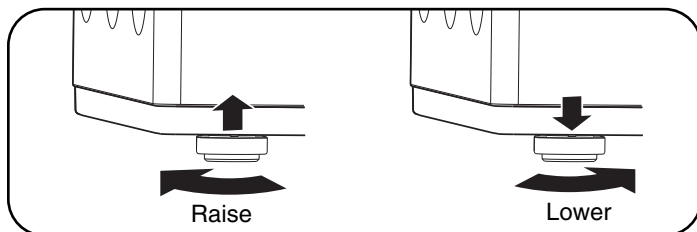
The tub of your new washer spins at very high speeds. To minimize vibration, noise, and unwanted movement, the floor must be a level, solid surface.

NOTE: Adjust the leveling feet only as far as necessary to level the washer. Extending the leveling feet more than necessary can cause the washer to vibrate.

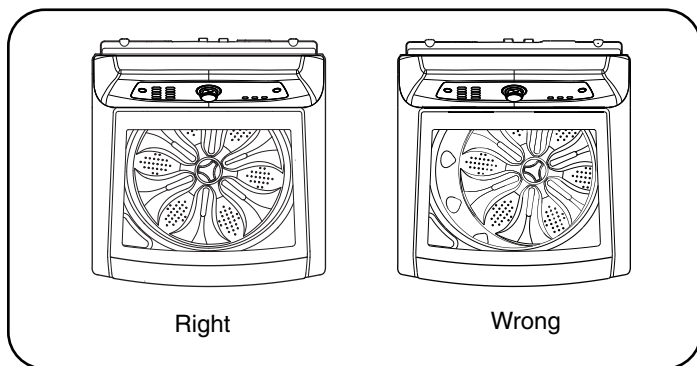
NOTE: Before installing the washer, make sure the floor is clean, dry and free of dust, dirt, water and oils so the washer feet can not slide easily. Leveling feet that can move or slide on the floor can contribute to excess vibration and noise due to poor contact with the floor.

- All four leveling feet must rest solidly on the floor. Attempt to rock the washer from corner to corner to make sure that all four leveling feet are in firm contact with the floor.

1. Position the washer in the final location, taking special care to not pinch, strain, or crush the water and drain lines. Place a level across the top of the washer.

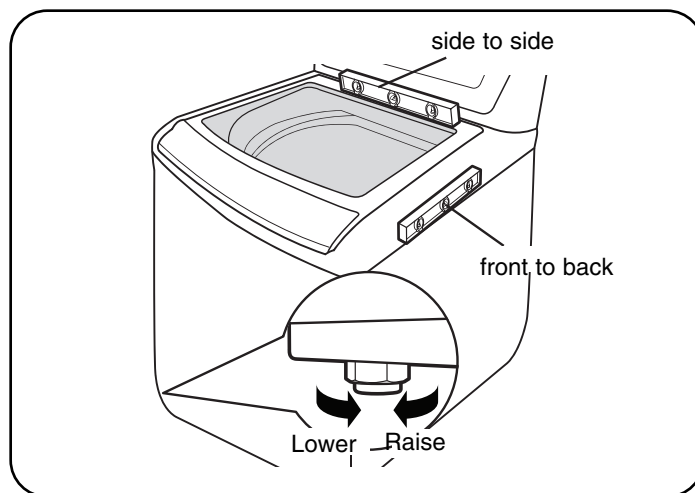


2. Adjust the 2 front leveling feet. Turn clockwise to raise the washer or counterclockwise to lower it.



3. To make sure that the washer is properly level, open the lid and look from above to see the tub is centered. If the tub is NOT centered as shown in the drawing on the right, readjust the front feet. If you have a level, check your washer with the level.

- To check if the washer is level side to side, place a level on the back edge of the lid.
- To check if the washer is level front to back, place a level at the side of the washer on the edge where the cabinet side meets the top cover. Do not place the level on the top or the lid as using these parts will result in the washer being out of level.

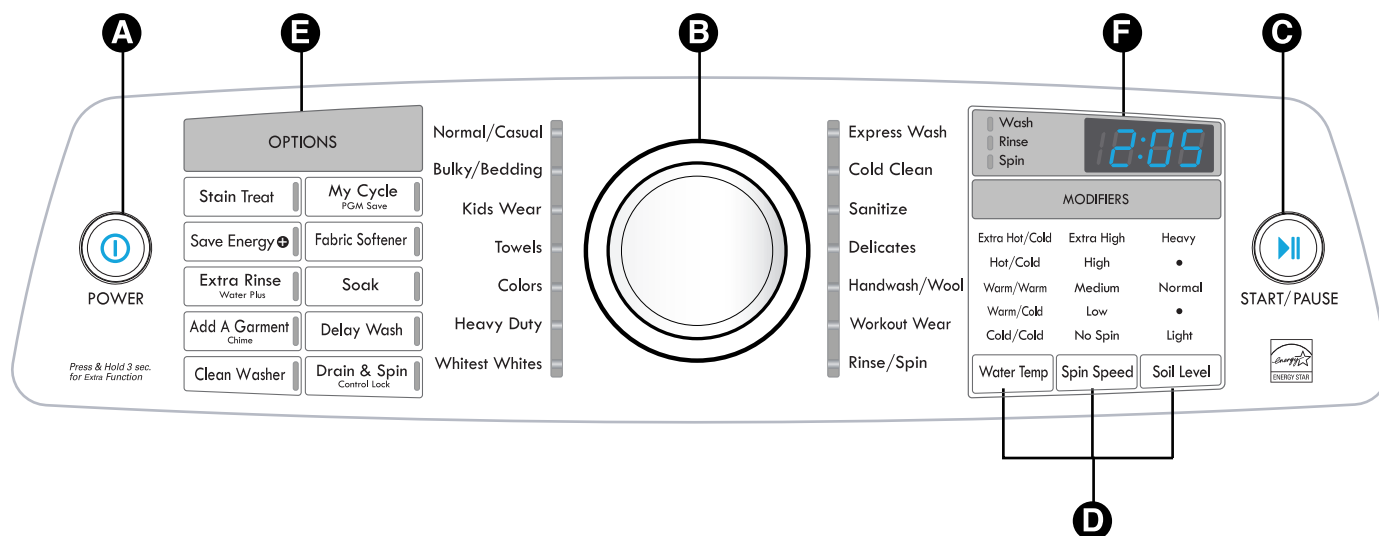


ENGLISH

HOW TO USE

WARNING: To reduce the risk of fire, electric shock, or injury to persons, read and follow this entire Use & Care Guide, including the Important Safety Instructions, before operating this washer.

CONTROL PANEL FEATURES



ENGLISH

A POWER (ON/OFF) BUTTON

Press to turn the washer ON. Press again to turn the washer OFF.

NOTE: If the washer remains idle for 4 minutes after turning the washer off, any water left in the tub will automatically be drained. An alarm will sound 1 minute prior to draining, and 'dr' will appear on the display. You may restart the washer at this time. However, once the washer initiates draining, all functions will be suspended, and 'dr' will be displayed until draining is complete and all cycle settings will be lost.

B CYCLE SELECTOR KNOB

Turn this knob to select the desired cycle. Once the desired cycle has been selected, the standard presets will be shown in the display. These settings can be adjusted using the modifier and option buttons anytime before starting the cycle. (See the cycle guide on page 14 for allowable settings. To protect your fabrics, not all settings are allowed in all cycles.)

C START/PAUSE BUTTON

Press this button to start the selected cycle. If the washer is running, use this button to pause the cycle without losing the current settings.

NOTE: If you do not press the START/PAUSE button within 4 minutes of selecting a cycle, the washer automatically turns off.

NOTE: If the washer remains idle for 8 minutes after pausing the cycle, the water in the tub will drain and all lost. See page 22 for details.

D CYCLE MODIFIER BUTTONS

Use these buttons to adjust the desired settings for the selected cycle. The current setting will be lighted, and pressing the button will cycle through the available settings. See page 19 for a complete description.

NOTE : Not all settings are available on all cycle selections. See chart on page 14 for details.

E CYCLE OPTION BUTTONS

The option buttons allow you to select additional cycle options and will light when selected. Certain buttons also allow you to activate special functions by pressing and holding the button for 3 seconds.

For detailed information about the individual options, please see pages 20, 21, and 22.

F TIME AND STATUS DISPLAY

The display shows the estimated time remaining and cycle status.

See page 18 for a complete description.

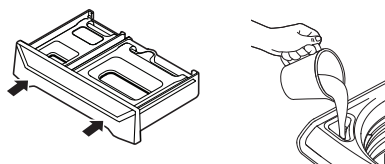
HOW TO USE

OPERATING THE WASHER



1 SORT LAUNDRY AND LOAD WASHER

Refer to page 15.



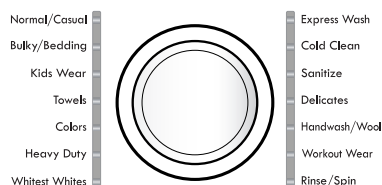
2 ADD DETERGENT

Add HE detergent to the detergent dispenser drawer. Refer to page 17 for details.



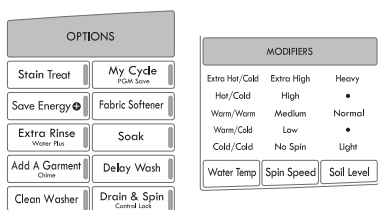
3 TURN ON THE WASHER

Press the POWER button to turn on the washer. The lights around the Cycle Selector Knob will illuminate and a chime will sound, if turned on. Refer to page 12.



4 SELECT A CYCLE

Turn the Cycle Selector Knob either direction to select the desired cycle. The preset Wash/Rinse Temperature, Spin Speed, Soil Level, and Option settings for that cycle will be shown. Refer to page 12.



5 SELECT CYCLE MODIFIERS & OPTIONS

Default settings for the selected cycle can now be changed if desired. Use the cycle modifier buttons as shown on page 19. Cycle options can also be added using the option buttons as shown on pages 20 - 22.

NOTE: To protect your fabrics, not all modifiers are available on all cycles.

NOTE: Not all options are available on all cycles. A different chime will sound and the LED will not come on if the selection is not allowed.



6 BEGIN CYCLE

Press the START/PAUSE button to begin the cycle. The lid will latch, the display will change, and the washer will calculate the estimated time remaining. Once the washer has calculated the estimated total cycle time, the washer will start. To pause the cycle at any time, press PAUSE. To resume the cycle press START/PAUSE again.

Press the START/PAUSE button to pause the cycle to add articles to the load. The ADD A GARMENT light will be lighted for a time near the beginning of the wash cycle to indicate when it is safe to add items to the load.



NOTE: It is not recommended to add items unless the ADD A GARMENT light is illuminated as this could result in poor performance.

NOTE: When the wash cycle is finished, the beeper (if set) will sound and the lid will unlock. To prevent wrinkling, remove items from the washer immediately after the end of the cycle.

NOTE: The CASCADE wash action is available for 8 lb. or larger loads in the NORMAL/CASUAL or HEAVY DUTY cycles.

HOW TO USE

CYCLE GUIDE

The cycle guide below shows the default settings, available options and recommended fabric types for each cycle. Allowable modifier adjustments are shown below the default setting for each cycle.  = Available option  = Default setting

ENGLISH

Cycle	Fabric Type	Wash/Rinse	Spin Speed	Soil Level	Stain Treat	Save Energy	Extra Rinse	Water Plus	Add a Garment
Normal /Casual	Cotton, linen, towels, shirts, sheets, jeans, mixed loads	Warm/Cold	High	Normal					
		Hot/Cold Cold/Cold	Extra High No Spin Medium	Heavy Light					
Cold Clean	Small loads of cotton, linen, towels, shirts, sheets, jeans, mixed loads	Cold/Cold	High	Normal					
			Extra High No Spin Low Medium	Heavy Light					
Heavy Duty	Heavy soiled Cotton Fabrics	Warm/Cold	High	Heavy					
		Warm/Warm Hot/Cold Cold/Cold	Extra High No Spin Low Medium	Light Normal					
Bulky /Bedding	Large items such as blankets and comforters	Warm/Cold	Medium	Normal					
		Warm/Warm Hot/Cold Cold/Cold	High Extra High No Spin Low	Heavy Light					
Whitest Whites	White Fabrics	Hot/Cold	Medium	Heavy					
		Warm/Cold	High Extra High No Spin Low	Light Normal					
Rinse & Spin	Rinse and Spin	Cold/Cold	High						
			Extra High No Spin Low Medium						
Sanitize	Heavily soiled items, such as work clothes, diapers, etc.	Extra Hot/Cold	High	Heavy					
			Extra High No Spin Low Medium	Light Normal					
Kids Wear	Kids Wear	Warm/Warm	High	Light					
		Hot/Cold Warm/Cold	Extra High No Spin Low Medium	Normal Heavy					
Towels	Towels, shirts, sheets, jeans, mixed loads	Warm/Cold	High	Normal					
		Warm/Warm Hot/Cold Cold/Cold	Extra High No Spin Low Medium	Heavy Light					
Workout Wear	Permanent press, synthetic items	Warm/Cold	Medium	Normal					
		Warm/Warm Cold/Cold	High No Spin Low	Heavy Light					
Colors	Lightly soiled and colored clothing	Cold/Cold	Medium	Normal					
		Warm/Cold Warm/Warm	High Extra High No Spin Low	Heavy Light					
Express Wash	Lightly soiled clothing and small loads	Warm/Warm	High	Light					
		Cold/Cold Warm/Cold	Extra High No Spin Low Medium	Normal Heavy					
Handwash /Wool	Items labeled "hand washable"	Warm/Cold	Low	Light					
		Cold/Cold	Medium No Spin	Normal Heavy					
Delicates	Dress shirts/blouses nylons, sheer or lacy garments	Cold/Cold	Low	Light					
		Warm/Cold Warm/Warm	Medium No Spin	Normal Heavy					

NOTE: The washer automatically adjusts the wash time for the amount of laundry, water pressure, water heating time and other operating conditions.

HOW TO USE

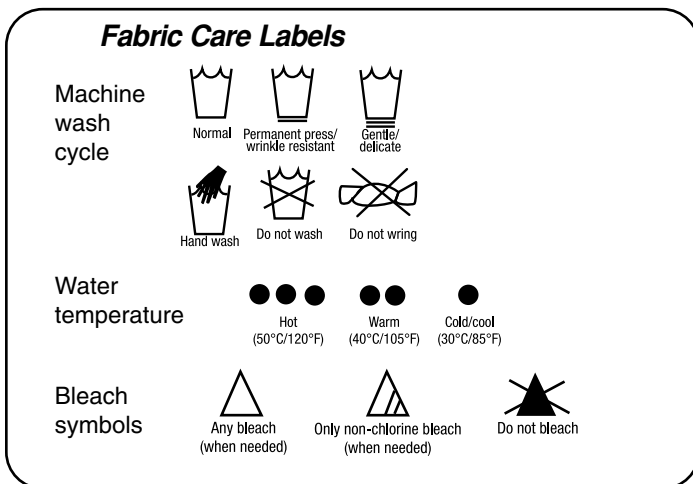
SORTING WASH LOADS

CAUTION:

- Do not load items over the tub. Failure to follow this caution can result in leakage or fabrics damage.
- Use the BULKY/BEDDING cycle for buoyant or nonabsorbent items such as pillow or comforter. Failure to follow this caution can result in leakage.

Fabric Care Labels

Many articles of clothing include a fabric care label. Using the chart below, adjust the cycle and options selections to care for your clothing according to the manufacturer's recommendations.



Grouping Similar Items

For the best washing results and to reduce the possibility of damage to the clothing, care should be taken to sort the clothing into loads that are made up of similar items. Mixing different fabric types and/or soil levels can result in poor wash performance, color transfer or discoloration, fabric damage or linting. Fabrics should be sorted into groups as described below.

Colors

Sort articles by color. Wash dark clothes together in a separate load from light colors or whites. Mixing dark clothes with light clothes can result in dye transfer or discoloration of the lighter clothes.

Soil Level

Wash heavily soiled clothes together. Washing lightly soiled clothes in the same load with heavily soiled clothes could result in poor wash performance for the lightly soiled clothing.

Fabric Type

Delicate articles should not be mixed with heavier or sturdier fabric types. Washing delicates in a load with heavy fabrics can result in damage to the more delicate fabrics. Washing heavier fabrics in a delicate load can result in poor wash performance for the heavier fabrics and possible damage to the delicates.

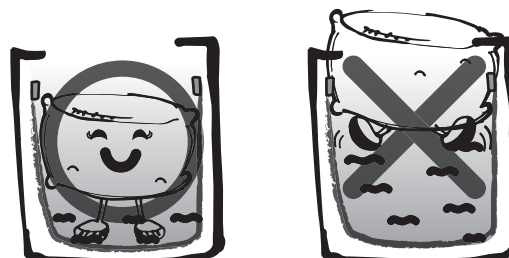
Lint Type

Some fabrics attract and bind lint to them while others give off lint in the laundry process. Avoid mixing these lint collectors and lint producers in the same load. Mixing these fabrics will result in pilling and linting on the lint collectors. (For example, lint collector - knit sweater; lint producer - terrycloth towels)

Loading the Washer

- **Check all pockets to make sure that they are empty.** Items such as clips, matches, pens, coins, and keys can damage both your washer and your clothes.
- Close zippers, hooks, and drawstrings to prevent these items from snagging or tangling on other clothes.
- Pretreat heavily stained areas for best results.
- Large items should not be more than half of the total wash load.
- The washer can be fully loaded, but the tub should not be tightly packed with items. The lid of the washer should close easily.
- To prevent an out-of-balance load, do not wash single items. Add one or two similar items to the load. Large, bulky items, such as a blanket, comforter, or bedspread, should be washed individually.
- Never wash or spin waterproof items, such as rain coats, sleeping bags, etc.
- Never wash fabrics containing flammable materials. (waxes, cleaning fluids, etc.)
- The washer will not fill or operate with the lid open.

IMPORTANT: Use the Bulky/Bedding cycle for large or bulky items such as poly-filled jackets, comforters, pillows, etc. These items may not be as absorbent as other laundry items and should be sorted into a separate wash load for optimal results.



Bulky items should be placed as far down in the wash basket as possible for optimal results. Always place buoyant items at the bottom of the wash basket.

The washer will automatically detect the load size. Because of the high-efficiency wash system, the water level may not completely cover the load.

Sort Laundry...

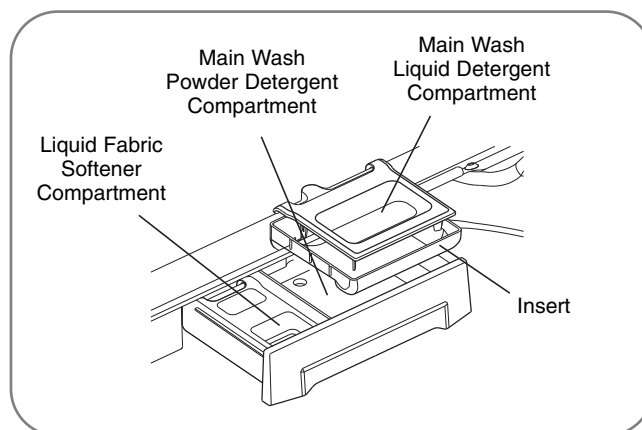
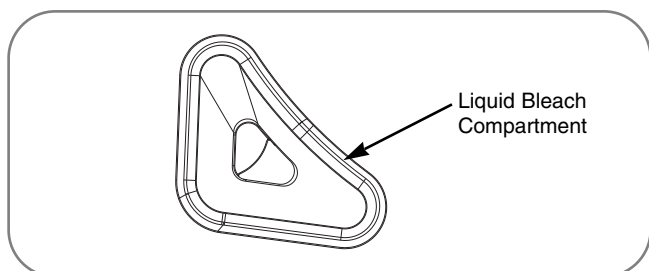
by Colors	by Soil	by Fabric	by Lint
Whites	Heavy	Delicates	Lint Producer
Lights	Normal	Easy Care	Lint Collector
Darks	Light	Sturdy	

HOW TO USE

ABOUT THE DISPENSER

The automatic dispenser consists of two compartments which hold:

- Liquid fabric softener.
- Liquid or powdered detergent for main wash.



ENGLISH

Main Wash Detergent Compartment

This compartment holds laundry detergent for the main wash cycle, which is added to the load at the beginning of the cycle. Always use HE (High-Efficiency) detergent with your washing machine.

Never exceed the detergent manufacturer's recommendations when adding detergent. Using too much detergent can result in detergent buildup in clothing and the washer. Either powdered or liquid detergent may be used.

- When using liquid detergent, make sure the liquid detergent cup and insert are in place. Do not exceed the maximum fill line.
- When using powdered detergent, remove the insert and liquid detergent cup from the compartment. Powdered detergent will not dispense with the liquid detergent cup and insert in place.

Fabric Softener Compartment

This compartment holds liquid fabric softener, which will be automatically dispensed during the final rinse cycle.

Never exceed the manufacturer's recommendations when adding softener. Using too much fabric softener can result in buildup in clothing and the washer. Either powdered or liquid fabric softener may be used.

- Always follow the manufacturer's recommendations when adding fabric softener. Do not exceed the maximum fill line.
- Using too much fabric softener may stain clothes.
- Dilute concentrated fabric softeners with warm water. Do not exceed the maximum fill line.
- Never pour fabric softener directly onto the load or into the tub.

NOTE: The NORMAL/CASUAL cycle and the HEAVY DUTY cycle use a special JET SPRAY rinse to save water. If fabric softener is to be used with either of these cycles, then the FABRIC SOFTENER option or the EXTRA RINSE option must be selected. Either option will cause the cycle to end with a deep rinse instead of the spray rinse. Failure to select either option will result in poor fabric softener performance.

Liquid Bleach Compartment

The bleach dispenser is a separate compartment at the left front of the tub opening. Use this compartment to dispense liquid chlorine bleach at the proper time in the wash cycle.

- Do not add powdered or liquid color-safe bleach to this compartment. The bleach compartment is designed to dispense liquid chlorine bleach only. Powdered or liquid color-safe bleach will not dispense properly.
- Always follow the manufacturer's recommendations when adding bleach. Do not exceed the maximum fill line since this can cause the bleach to be dispensed immediately causing damage to fabrics. Using too much bleach can damage fabrics.
- Never pour undiluted liquid chlorine bleach directly onto the load or into the drum. Fabric damage can occur.

⚠ WARNING

Do NOT mix chlorine bleach with ammonia or acids, such as vinegar or rust / scale remover. Mixing chemicals like these can produce gas which may cause death.

Put the manufacturer's recommended amount of undiluted liquid chlorine bleach into the bleach dispenser.

During the final portion of the wash cycle, two sequential flushes of the dispenser put all the bleach into the wash load and completely flush the dispenser to eliminate the carryover of bleach to a subsequent load.

Any liquid remaining in the bleach dispenser at the end of the cycle is water, not bleach.

To prevent unintentional self-siphoning of the bleach, never fill the dispenser higher than the maximum fill level marked on the dispenser.

When adding bleach to the dispenser, be careful to avoid spilling it into the laundry load or leaving droplets of bleach around the dispenser. These things will damage your laundry items.

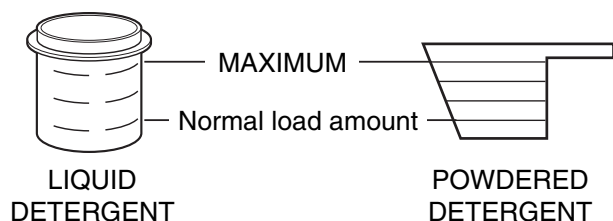
HOW TO USE

DETERGENT AND DISPENSER USE

A Word About Detergents

HE detergents produce fewer suds, dissolve more efficiently to improve washing and rinsing performance, and help to keep the interior of your washer clean.

Using non-HE detergent may cause oversudsing and unsatisfactory performance which could result in error codes, cycle failure, and machine damage.



For proper wash performance, always measure the detergent using the measure provided with the detergent by the manufacturer.

The normal amount needed for average loads is less than 1/2 of the recommended maximum. Use less detergent for soft water, light soil or smaller loads. Never use more than the maximum amount recommended by the detergent manufacturer.



Designed to use only HE (High-Efficiency) detergent

IMPORTANT: Your washing machine is designed for use with only High-Efficiency (HE) detergents. HE detergents are formulated specifically for front-load washers and contain suds-reducing agents. Always look for the HE symbol when purchasing detergent.

IMPORTANT: Not all detergents are the same. Careful attention must be paid to the amount of detergent used to avoid overusing, poor rinsing and detergent buildup in clothing, and residue buildup that can contribute to odors in the machine. NEVER use a cup or scoop other than that supplied by the manufacturer of the detergent you are using. Never use more than the maximum amount recommended by the manufacturer of the detergent.

While HE detergents are designed for this type of washing machine, care must be used when measuring the detergent. For most normal loads, no more than 1/2 to 3/4 of a cup or scoop of HE detergent should be used.

NOTE: Extra care must be exercised when using 2X and 3X concentrated detergents because even a little bit extra can contribute to the problems mentioned above.

NOTE: Detergents designated as HE-COMPATIBLE may not provide optimal results.

Filling the Dispenser

To add detergent, bleach, and fabric softener to the automatic dispenser:

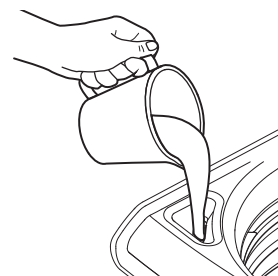
- 1 Open the dispenser drawer.
- 2 Load the laundry products into the appropriate compartments.
- 3 Close the drawer before starting the cycle.

NOTE: It is normal for a small amount of water to remain in the bleach and softener compartments at the end of the cycle.

IMPORTANT: Do not place or store laundry products, such as detergent, bleach, or liquid fabric softener, on top of our washer or dryer. Wipe up any spills immediately. These products can damage the finish and controls.

Using the Liquid Bleach Dispenser

The bleach dispenser automatically dilutes and dispenses liquid chlorine bleach at the proper time in the wash cycle.



- 1 Check clothing care labels for special instructions.
- 2 Measure liquid bleach carefully, following instructions on the bottle.
 - Never pour undiluted liquid chlorine bleach directly onto clothes or into the wash basket.
 - Do not pour powdered bleach into bleach dispenser. Do not place load items on top of the bleach dispenser when loading and unloading the washer.
 - Avoid overfilling or splashing when adding bleach to the dispenser. The maximum capacity of the bleach dispenser is one cup of bleach per wash cycle. Overfilling could result in premature dispensing of bleach.
- 3 Before starting the washer, pour a premeasured amount of bleach directly into bleach dispenser. If you prefer to use powdered bleach, add it into the wash basket directly before adding clothes.

NOTE: Please flush the bleach dispenser with water after bleach use and then rinse out the residue by use of Rinse & Spin cycle.

HOW TO USE

TIME AND STATUS DISPLAY

The time and status display shows the estimated time remaining and cycle progress.



ENGLISH

A ESTIMATED TIME REMAINING

When the START/PAUSE is pressed to start a cycle, the washer automatically detects the wash load (weight) and optimizes the washing time, based on the selected cycle and options. The display will then indicate the estimated time remaining for the selected wash cycle.

NOTE:

- The time shown is estimated. For example, the time displayed may pause for a period of time while the machine is heating the water or balancing the load. Under certain conditions, the machine can pause for extended periods of time.
- Estimated time is based on normal operating conditions. Several external factors (load size, room temperature, incoming water temperature, etc.) also affect the length of estimated time vs. actual time.

B CYCLE STATUS INDICATOR

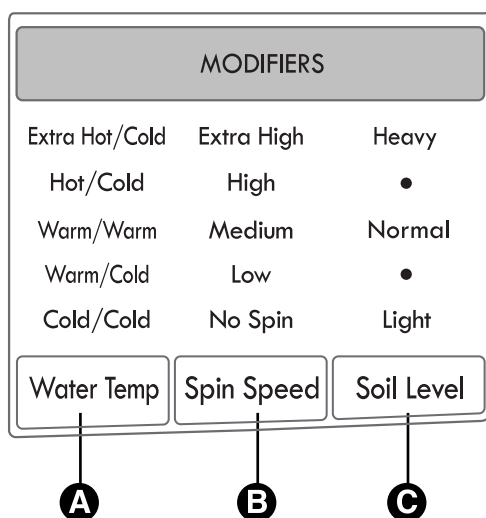
These status LEDs illuminate to indicate which portion of the cycle is currently running. A blinking light indicates the active portion of the cycle. When that portion is complete, the light will remain steady.

HOW TO USE

CYCLE MODIFIER BUTTONS

Each cycle has default settings that are selected automatically. You may adjust some of these settings using the cycle modifier buttons. Press the button for the desired modifier until the indicator light for the desired value is lit. The washer automatically adjusts the water level for the type and size of wash load for best results and maximum efficiency. Due to the high-efficiency nature of this product, water levels may be much lower than expected. This is normal operation and cleaning/rinsing performance will not be compromised.

NOTE: To protect your garments, not every wash/rinse temperature, spin speed, soil level, or option is available with every cycle. A different chime will sound and the LED will not light if a selection is not allowed. See the Cycle Guide on page 14 for details.



A WATER TEMP

Adjusts the wash and rinse temperature combination for the selected cycle. Press the WATER TEMP button until the indicator light for the desired setting is lit.

- Your washer features a heating element to boost the hot water temperature for Extra Hot settings. This provides improved wash performance at normal water heater settings.
- Select the water temperature suitable for the type of load you are washing. Follow the garment fabric care labels for best results.
- Warm rinses are regulated at approximately 86°F (30°C).
- Warm rinses leave the clothes drier than cold rinses, but will result in increased energy consumption and greater wrinkling of clothes.
- Cold rinses use less energy. The actual rinse temperature depends on the temperature of the cold water at the faucet.
- In cold climates, a warm rinse makes the load more comfortable to handle.
- Use both hot and cold water supply for optimal results.

B SPIN SPEED

Higher spin speeds extract more water from clothes, reducing drying time and saving energy. Press the SPIN SPEED button until the indicator light for the desired setting is lit. Some fabrics, such as delicates, require a slower spin speed.

C SOIL LEVEL

Adjusts the selected cycle to allow more time for heavily soiled clothes or less time for lightly soiled clothes. Press the SOIL LEVEL button until the indicator light for the desired setting is lit.

HOW TO USE

CYCLE OPTION BUTTONS

Your washing machine features several additional cycle options to customize cycles to meet your individual needs.

- 1 Turn ON the washer and turn the cycle selector knob to select the desired cycle.
- 2 Use the cycle modifier buttons to adjust the settings for that cycle.
- 3 Press the cycle option button(s) for the option(s) you would like to add. The button will light when that option is selected.
If the selected option is not allowed for the selected cycle, the chime will sound twice to inform you that it is not allowed.
- 4 Press the START/PAUSE button to start the cycle. The cycle will begin after the lid lock is activated.

NOTE: To protect your garments, not every option is available with every cycle. See the CYCLE GUIDE on page 14 for details.

NOTE: If the START/PAUSE button is not pressed within 4 minutes, the control will shut off and the settings will be lost.

STAIN TREAT

Stain Treat

Use this option to wash loads with multiple types of soils. With this option, the water temperature is raised in three steps to optimize cleaning performance. During the final wash step, the water is heated and maintained at the highest temperature for that cycle for 10 minutes.

NOTE: The best results are obtained with smaller loads (less than 6 lbs).

SAVE ENERGY

Save Energy+

This option saves energy by using cooler temperatures and different operations to help maintain washer performance

while reducing energy consumption.

SAVE ENERGY + is only available for the following cycles and settings:

- NORMAL/CASUAL cycle with HOT/COLD water temperature
- NORMAL/CASUAL cycle with WARM/COLD water temperature
- HEAVY DUTY cycle with HOT/COLD water temperature

EXTRA RINSE

Extra Rinse
Water Plus

This option will add an extra rinse to the selected cycle. Use this option to help ensure the removal of detergent or bleach residue from fabrics. Pressing the EXTRA RINSE button twice will add two additional rinses to the cycle. The LED will be on steady for either one or two extra rinses.

- 1 Press the POWER button to turn on the washer.
- 2 Turn the cycle selector knob to select the desired cycle.
- 3 Press the CYCLE MODIFIER buttons to change the desired settings.
- 4 Press the EXTRA RINSE button once or twice to select one or two extra rinses. The LED will be on.
 - If you want to delete extra rinse, press the button one or two more times until the EXTRA RINSE light is off.
- 5 Press the START/PAUSE button to start the cycle.

NOTE: You cannot select the EXTRA RINSE option with the DRAIN & SPIN cycle.

WATER PLUS

Extra Rinse
Water Plus

Select this option to add extra water to the wash and rinse cycles. This option is especially useful for extra large or bulky items. Press and hold the EXTRA RINSE button for 3 seconds to activate or deactivate WATER PLUS. When WATER PLUS is selected, the LED will be blinking.

- 1 Press the START/PAUSE button during wash or rinse cycle. (It is not available in spin cycle)
- 2 Press and hold the EXTRA RINSE.
- 3 Press the START/PAUSE button to start the cycle.
- 4 If you want to use additional water, repeat steps 1 through 3.

NOTE: If the machine reaches its maximum water level, the WATER PLUS button will have no effect.

NOTE: You cannot select the WATER PLUS option in the SANITIZATION, BULKY/BEDDING, and CLEAN WASHER cycle.

CLEAN WASHER

Clean Washer

A buildup of detergent residue can occur in the wash tub over time and can lead to a mildewy or musty odors. The CLEAN WASHER cycle is specially designed to remove this buildup using bleach or other cleaner designed specifically for cleaning washers. The CLEAN WASHER cycle should be run once a month, or more often under heavy use conditions or if odor is present. See the page 23 for details.

HOW TO USE

CYCLE OPTION BUTTONS (cont.)

ADD A GARMENT



The ADD A GARMENT light will be lighted during the early portion of the wash cycle to indicate that it is safe to pause the cycle to add more items. It is not necessary to press the button, as the light is controlled by the washer. (See CHIME below.)

Once the ADD A GARMENT light goes out, additional laundry should not be added to the load. Doing so may result in unsatisfactory performance because the washer will not compensate for the additional garments.

- 1 Press the START/PAUSE button to pause the washer.
- 2 Open the lid after it unlocks.
- 3 Add your additional items.
- 4 Close the lid.
- 5 Press the START/PAUSE button. The cycle will resume after the lid locks.

CHIME



The volume of the chime is adjusted using the ADD A GARMENT button. Press the button to change the volume of the chime. The chime will sound at the new volume with each press of the button. When no chime is heard, the chime is off. The volume settings are LOW – HIGH – OFF.

MY CYCLE



MY CYCLE allows you to store a customized wash cycle for future use. It allows you to save favorite temperature, spin speed, soil level, and other options for a cycle, and then recall them at the touch of a button.

NOTE: You may only save setting for one cycle at a time. Pressing and holding the MY CYCLE button will overwrite any previously saved my cycle.

To save a my cycle:

- 1 Press the POWER button to turn on the washer.
- 2 Turn the Cycle Selector Knob to select the desired cycle.
- 3 Press the Cycle Modifier button to change the desired setting.
- 4 Press the Cycle Option button to add the desired options.
- 5 Press and hold the MY CYCLE button.

To recall a my cycle:

- 1 Press the POWER button to turn on the washer.
- 2 Press the MY CYCLE button. The stored settings will be displayed.
- 3 Press the START/PAUSE button to start the cycle.

NOTE: MY CYCLE can be adjusted the same as any other cycle. However, once any other button is pressed the LED will be turned off indicating that the settings are no longer those of your saved cycle.

FABRIC SOFTENER



Fabric softener is dispensed in the final rinse. Select FABRIC SOFTENER button to change final rinse from spray rinse to deep rinse.

NOTE: The NORMAL/CASUAL cycle and the HEAVY DUTY cycle use a special JET SPRAY rinse to save water. If fabric softener is to be used with either of these cycles, then the FABRIC SOFTENER option or the EXTRA RINSE option must be selected. Either option will cause the cycle to end with a deep rinse instead of the spray rinse. All though the softener will be dispensed, failure to select either option will result in poor fabric softener performance.

SOAK



Use the SOAK option to presoak garments to help remove difficult spots or stains on fabrics. This option provides 180 minutes (maximum) presoak prior to the start of the selected cycle. At the end of the soak time, the selected cycle will begin using the water already in the tub.

HOW TO USE

CYCLE OPTION BUTTONS (cont.)

DELAY WASH



Once you have selected the cycle and other settings, press this button to delay the start of the wash cycle. Each press of the button increases the delay time, for up to 19 hours. Once the desired delay time is set, press the START/PAUSE button to start the delay time.

NOTE: If the START/PAUSE button is not pressed to begin the delay time, the washer will automatically shut off after 4 minutes.

DRAIN & SPIN



Use this option to drain the water from the tub and spin out the clothes. This can be used, for example, if the wash cycle were interrupted by a power failure. Spin speed can be adjusted by pressing the SPIN SPEED button.

- 1 Press the START/PAUSE button to turn on the washer.
- 2 Press the DRAIN & SPIN button.
- 3 Press the SPIN SPEED button to select the desired spin speed.
- 4 Press the START/PAUSE button.

SPECIAL SAFETY FEATURE

This washer is equipped with a special feature that is designed to make your washer as safe as possible. If the washer is paused or shut off while there is still water in the tub, the washer will automatically drain the water after 4 minutes to help keep children safe by reducing the possibility of water remaining in the tub.

If the washer is shut off for three minutes while there is still water in the tub, an alarm will sound to notify you that the washer is about to drain the water from the tub. The washer can be restarted at this time if desired.

If the washer is paused for 4 minutes, the display will go off and all cycle settings will be lost. After three more minutes, the alarm will sound to notify you that the washer is about to drain the water from the tub. The washer can be turned on and another cycle started if desired.

If no action is taken, the "dr" error code will be displayed and the water will be drained from the tub. Once the washer begins draining the water, the controls are disabled and the drain process cannot be interrupted. Once the water is completely drained, the washer will shut off.

NOTE: In the unlikely event that the washer experiences an error that causes an error code to be displayed, the washer will still sound the alarm after three minutes and drain after 4 minutes. However, only the original error code will be displayed.

CONTROL LOCK



Use this option to prevent unwanted use of the washer or to keep cycle settings from being changed while the washer is operating. Press and hold the DRAIN & SPIN button for 5 seconds to activate or deactivate CONTROL LOCK. Once CONTROL LOCK is selected, the display will alternate between CL and the remaining cycle time. And all controls except CONTROL LOCK and POWER buttons will be disabled.

NOTE: The controls remain locked even after the cycle ends or if there is a power failure. To deactivate CONTROL LOCK, press the POWER button to turn the washer on, then press and hold the DRAIN & SPIN button for 5 seconds.

CARE AND CLEANING



WARNING: To reduce the risk of fire, electric shock, or injury to persons, read and follow this entire Use & Care Guide, including the Important Safety Instructions, before operating this washer.

- **Unplug the washer before cleaning to avoid the risk of electric shock.** Failure to follow this warning can cause serious injury, fire, electrical shock, or death.
- **Never use harsh chemicals, abrasive cleaners, or solvents to clean the washer.** They will damage the finish.

REGULAR CLEANING

Cleaning the Exterior

Proper care of your washer can extend its life. The outside of the machine can be cleaned with warm water and a mild, nonabrasive household detergent.

IMPORTANT: Do not use methylated spirits, solvents, or similar products.

Never use steel wool or abrasive cleansers; they can damage the surface.

Care and Cleaning of the Interior

Use a towel or soft cloth to wipe around the washer lid opening, and lid glass.

Always remove items from the washer as soon as the cycle is completed. Leaving damp items in the washer can cause wrinkling, color transfer, and odor.

This washer has a special cycle to be used for cleaning the tub and basket. When used regularly, this cycle can help prevent the buildup of residue that contributes to odors.

Read these instructions carefully before beginning the **CLEAN WASHER** cycle.

- 1 Open the lid and remove any clothing in the wash tub.
- 2 Open the dispenser drawer.
- 3 Add liquid chlorine bleach or tub cleaner. Some powdered or tablet tub cleaners which are manufactured for this purpose can be used.
(NOTE: Do not add any laundry detergent or fabric softener to the drawer when using CLEAN WASHER.)
 - **If using liquid chlorine bleach**, add liquid chlorine bleach to the bleach dispenser.
(NOTE: Do not exceed the maximum fill line and do not pour undiluted liquid bleach directly into the wash tub.)
 - If using powdered cleaner, remove the liquid detergent cup and add cleaner to the main wash compartment of the drawer.
 - If using tablet cleaner add tablet cleaner to the wash tub directly.
(NOTE: Do not add tablet cleaner to the drawer.)
- 4 Close the drawer and washer lid.
- 5 Select CLEAN WASHER and press START/PAUSE.

NOTE: It is recommended that you run the CLEAN WASHER cycle once a month, or more often during periods of heavy use.

If mildew or odor already exists, run the CLEAN WASHER cycle once a week for 3 consecutive weeks.

After CLEAN WASHER is complete or when the washer is not used, leave the washer lid open for better ventilation and drying inside of the washer.

CARE AND CLEANING

REGULAR CLEANING (cont.)

Storing the Washer

If the washer will not be used for an extended period of time and is in an area that could be exposed to freezing temperatures:

- 1 Turn off water supply tap.
- 2 Disconnect hoses from water supply and drain water from hoses.
- 3 Plug the power cord into a properly grounded electrical outlet.
- 4 Add 1 gallon of nontoxic recreational vehicle (RV) antifreeze to the empty wash tub. Close the lid.
- 5 Select the spin cycle and let washer spin for 1 minute to drain out all the water.
NOTE: Not all of the RV antifreeze will be expelled.
- 6 Unplug the power cord, dry the tub interior with a soft cloth, and close the lid.
- 7 Remove the inserts from the dispenser. Drain any water in compartments and dry the compartments.
- 8 Store the washer in an upright position.
- 9 To remove the antifreeze from the washer after storage, run washer through a complete cycle using detergent. Do not add laundry!

Removing Lime Buildup

If you live in an area with hard water, lime scale can form on internal components of the washer.

Use of a water softener is recommended in areas with hard water. If a descaler is used, make sure that it is suitable for use in a washer, and run the CLEAN WASHER cycle before washing clothing.

Lime scale and other spots may be removed from the stainless steel tub using a stainless steel cleaner. Do NOT use steel wool or abrasive cleansers; they can damage the surface.

Leave the Lid Open

It is recommended that you leave the lid open overnight after finishing the laundry.

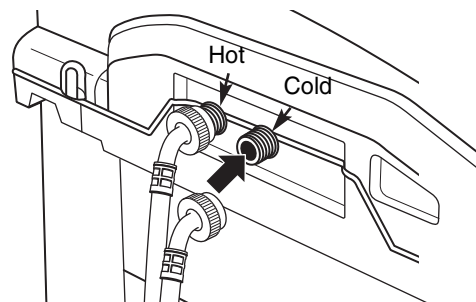
MAINTENANCE

Cleaning the Water Inlet Filters

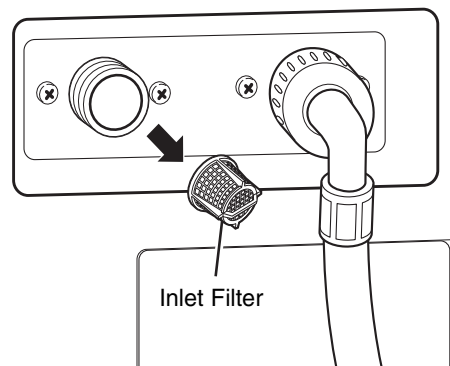
If the washer detects that water is not entering the washer, an error message will show on the display. If you live in an area with hard water, this may be caused by clogged inlet filters.

Turn off both water taps completely. Unscrew the hot and cold water lines from the back of the washer.

IMPORTANT: Use extreme care when removing and cleaning the filters. If the filters cannot be cleaned or are damaged, do NOT operate the washer, as foreign particles could cause the valves to stick open, flooding the laundry room. Contact KENMORE customer service to have the fill valve replaced.



IMPORTANT: Use ONLY the inlet hoses provided by KENMORE with this laundry product. Aftermarket hoses are not guaranteed to fit or function correctly. Other hoses may not tighten correctly and could cause leaks. Subsequent damage to product or property will not be covered under the terms of KENMORE's warranty.



Carefully remove the filters from the water inlets, and soak them in white vinegar or a lime scale remover. Rinse thoroughly before reinstalling.

Press the filters back into place and reattach the water lines. Do NOT operate the washer without the inlet filters.

CARE AND CLEANING

CLEANING THE WASHER

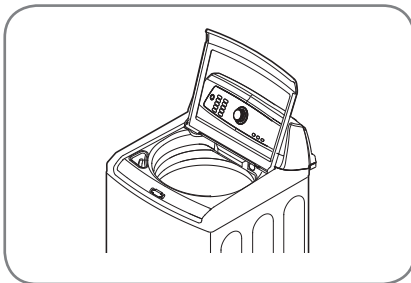
Proper Use of Detergent

Using too much detergent is a common cause of laundry problems. Today's detergents are formulated to be effective without visible sudsing. Be sure to carefully read and follow manufacturer's recommendations for how much detergent to use in your wash.

You can use less detergent if you have soft water, a smaller load, or a lightly soiled load.

NOTE: Use only low-sudsing, high-efficiency detergent such as Tide® HE.

Care and Cleaning of the Washer

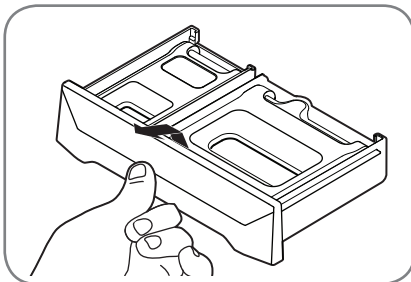


Lid: Wash with a damp cloth on the outside and inside and dry with a soft cloth.

Exterior: Immediately wipe off any spills. Wipe with damp cloth. Do not touch the surface or the display with sharp objects.

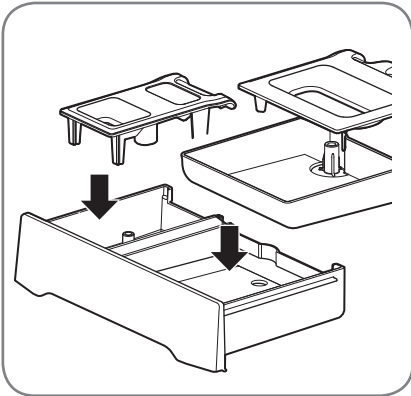
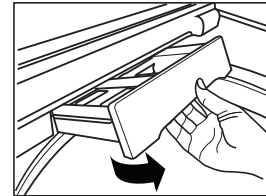
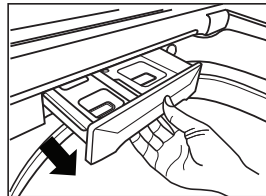
Moving and Storage: Ask the service technician to remove water from drain pump and hoses. Do not store the washer where it will be exposed to the weather.

Long Vacations: Be sure water supply is shut off at the faucets. Follow the instructions on page 24 if the washer will be exposed to freezing temperatures.'

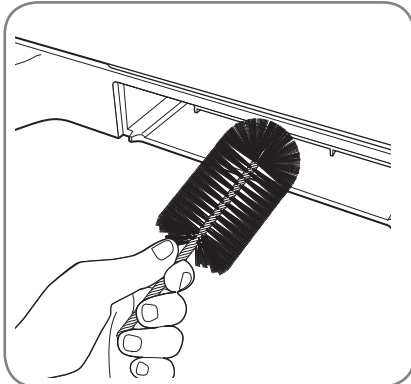


Dispenser Drawer: Detergent and fabric softener may build up in the dispenser drawer. Remove the drawer and check for buildup once or twice a month.

- 1 Remove the drawer by pulling it straight out until it stops. Lift up on the front of the drawer and pull it out.



- 2 Remove the inserts from the 2 compartments; rinse the inserts and the drawer with warm water to remove built up laundry products.



- 3 To clean the drawer opening, use a small, non-metal brush to clean the recess. Remove all residue from the upper and lower parts of the recess.

- 4 Return the inserts to the proper compartments and replace the drawer. Set the drawer into the opening at an angle as shown above, then lower it and slide it into place.

TROUBLESHOOTING GUIDE

NORMAL SOUNDS YOU MAY HEAR

The following sounds may be heard while the washer is operating. They are normal.

Clicking:

- Lid lock relay when the lid locks and unlocks.
- The washer will make a series of clicking noises as it changes the cleaning mode.

High pitched noise:

High spin speeds can cause some high pitched noise from the tub or motor.

Spraying or hissing:

Water spraying or circulating during the cycle.

Humming or gurgling:

Drain pump pumping water from the washer at the end of a cycle.

Water sloshing sound:

A liquid in the ring on top of the tub is designed to help balance the tub during spin. This water can sometimes be heard when the tub stops spinning or if the tub is moved by hand.

Water sloshing sound when tub is spinning:

To achieve better cleaning performance with less water, the tub will sometimes spin with water. During the NORMAL and HEAVY DUTY cycles, this spinning will cause the water to flow back into the tub creating the sound of a waterfall. This is normal, and can be observed through the lid at times during the cycle.

Water filling sound during a cycle:


- The washer adapts to the load size and type to add more water to the cycle as needed.
- The wash load may be unbalanced. If the washer senses that the load is unbalanced, it will stop and refill to redistribute the load.
- The washer may be diluting laundry additives to add to the wash load.

Beeping sound:

The beeping alarm indicates there is an error code showing in the display. Refer to the following pages for an explanation on of the displayed error code.

BEFORE CALLING FOR SERVICE


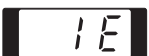


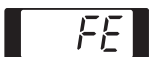

Your washing machine is equipped with an automatic error-monitoring system to detect and diagnose problems at an early stage. If your washer does not function properly or does not function at all, check the following before you call for service.

Problem	Possible Causes	Solutions
Rattling and clanking noise	<ul style="list-style-type: none"> • Foreign objects, such as keys, coins, or safety pins, may be in tub or pump. 	<ul style="list-style-type: none"> • Stop washer and check tub for foreign objects. If noise continues after the washer is restarted, call for service.
Rattling and clanking noise	<ul style="list-style-type: none"> • Heavy wash loads may produce a thumping sound. 	<ul style="list-style-type: none"> • This is normal. If sound continues, the washer is probably out of balance. Stop and redistribute the wash load.
Vibrating noise	<ul style="list-style-type: none"> • Wash load may be unevenly distributed in the tub. • Not all leveling feet are resting firmly on the floor. • Floor not rigid enough. 	<ul style="list-style-type: none"> • Stop washer and rearrange the wash load. • Adjust the leveling feet. Make sure all four feet are in firm contact with the floor while the washer is in the spin cycle with a load. • Make sure that the floor is solid and does not flex. Refer to Flooring in the Installation section.
Water leaking around washer	<ul style="list-style-type: none"> • Fill hose connection is loose at tap or washer. • House drain pipes are clogged. • Large items such as pillow and blanket over the tub. 	<ul style="list-style-type: none"> • Check hoses. Check and tighten hose connections. • Unclog drain pipe. Contact a plumber if necessary. • Check the cycle. If you wash large items, use BULKY/BEDDING cycle. • Stop washer and check the load position. Lay bulky items into the tub.
Excessive sudsing	<ul style="list-style-type: none"> • Too much detergent or incorrect detergent. 	<ul style="list-style-type: none"> • Reduce detergent amount or use low-sudsing detergent. <div style="display: flex; align-items: center;">  <p>Only use detergent with the HE (High-Efficiency) logo.</p> </div>

TROUBLESHOOTING GUIDE

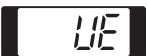
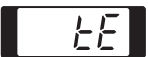
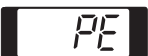
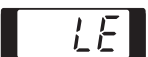
BEFORE CALLING FOR SERVICE (cont.)

ENGLISH

Problem	Possible Causes	Solutions
<p>Water in the washer drains slowly or not at all, or the display shows:</p> 	<ul style="list-style-type: none"> • Drain pump filter clogged. • Drain hose is bent, pinched, or clogged. • Drain pump failed. 	<ul style="list-style-type: none"> • Check and clean drain pump filter. • Make sure the drain hose is free of clogs, kinks, etc., and is not pinched behind or under the washer. • Call for service.
<p>Washer fills with water slowly or not at all, or the display shows:</p> 	<ul style="list-style-type: none"> • Water supply taps are not open fully. • Water line hoses are kinked, pinched, or bent. • Water inlet filters are clogged. • Water pressure to tap or house is too low. 	<ul style="list-style-type: none"> • Make sure that the water taps are open fully. • Make sure the hoses are not kinked or pinched. Be careful when moving the washer. • Clean the inlet filters. See the Care and Cleaning section. • Check another faucet in the house to make sure that household water pressure is adequate
<p>Washer will not turn on</p>	<ul style="list-style-type: none"> • Power cord is not properly plugged in. • House fuse is blown, circuit breaker has tripped, or power outage has occurred. 	<ul style="list-style-type: none"> • Make sure that the plug is plugged securely into a grounded, 3-prong, 120-VAC, 60-Hz. outlet. • Reset circuit breaker or replace fuse. Do not increase fuse capacity. If the problem is a circuit overload, have it corrected by a qualified electrician.
<p>The display shows:</p> 	<ul style="list-style-type: none"> • The lid is not closed properly. 	<ul style="list-style-type: none"> • Make sure that the lid is closed properly and press the START/PAUSE button. After starting a cycle, it may take a few moments before the tub begins to turn or spin. The washer will not spin unless the lid is locked. • If the lid is closed and locked and the open lid error message is displayed, call for service. • If you press the START button while the lid is open, dE error message will be displayed.
<p>The display shows:</p> 	<ul style="list-style-type: none"> • Lid lock switch error 	<ul style="list-style-type: none"> • Make sure that the lid is closed properly and press the START/PAUSE button. The washer will not spin unless the lid is locked. • If the lid is closed and the lid lock error message is displayed, call for service.
<p>Wash cycle time is longer than usual</p>	<ul style="list-style-type: none"> • The washer automatically adjusts the wash time for the amount of laundry, water pressure, water temperature, and other operating conditions. 	<ul style="list-style-type: none"> • This is normal. The washer adjusts cycle time automatically to provide optimal results for the selected cycle.
<p>The display shows:</p> 	<ul style="list-style-type: none"> • Water level is too high due to a faulty water valve. 	<ul style="list-style-type: none"> • Close the water taps, unplug the washer, and call for service.
<p>The display shows:</p> 	<ul style="list-style-type: none"> • Clutch error 	<ul style="list-style-type: none"> • Mechanical failure. • Unplug the washer, and call for service.

TROUBLESHOOTING GUIDE

BEFORE CALLING FOR SERVICE (cont.)

Problem	Possible Causes	Solutions
The display shows: 	<ul style="list-style-type: none"> Load is too small. Load is out of balance. 	<ul style="list-style-type: none"> Add 1 or 2 similar items to help balance the load. Rearrange items to help balance the load. The washer has an imbalance detection and correction system. If individual heavy articles are loaded (bath mat, bath robe, etc.) and the imbalance is too great, the washer will make several attempts to restart the spin cycle. If an imbalance is still detected, the washer will stop and the error code will be displayed.
The display shows: 	<ul style="list-style-type: none"> Thermistor error 	<ul style="list-style-type: none"> The water temperature sensor is faulty. Unplug the washer and call for service.
The display shows: 	<ul style="list-style-type: none"> The water level sensor is not working correctly. 	<ul style="list-style-type: none"> Close the water taps, unplug the washer, and call for service.
The display shows: 	<ul style="list-style-type: none"> Thermal overload protection circuit in the motor has been tripped. 	<ul style="list-style-type: none"> Allow the washer to stand for 30 minutes to allow the motor to cool; then restart the cycle. If the LE error code still appears, unplug the washer and call for service.
Staining	<ul style="list-style-type: none"> Laundry products were added directly to the tub or onto the laundry. Washer not unloaded promptly. Laundry not sorted properly. 	<ul style="list-style-type: none"> Load the laundry products into the dispenser. Always remove items from the washer as soon as the cycle is completed. Always wash dark colors separately from light colors and whites to prevent discoloration. If possible, do not wash heavily soiled items with lightly soiled ones.
Wrinkling	<ul style="list-style-type: none"> Washer not unloaded promptly. Washer overloaded. Hot and cold water inlet hoses are reversed. 	<ul style="list-style-type: none"> Always remove items from the washer as soon as the cycle is completed. The washer can be fully loaded, but the tub should not be tightly packed with items. The lid of the washer should close easily. Hot water rinse can set wrinkles in garments. Check the inlet hose connections.

NOTE: If an error message is displayed for 4 minutes, the water in the tub will automatically drain. An alarm will sound 1 minute prior to draining and the original error code will continue to be displayed.

TROUBLESHOOTING GUIDE

BEFORE CALLING FOR SERVICE (cont.)

ENGLISH

Problem	Possible Causes	Solutions
Washer won't operate	• Control panel is asleep	• This is normal. Press POWER.
	• Washer is unplugged	• Make sure cord is plugged securely into a working outlet.
	• Water supply is turned off	• Turn both hot and cold faucets fully on.
	• Controls are not set properly	• Make sure the cycle was set correctly, close the lid and press START.
	• Lid is open-safety feature prevents the washer from filling and operation when lid is up	• Close lid and reset cycle, to the beginning if necessary.
	• Circuit breaker/fuse is tripped/blown	• Check house circuit breakers/fuses. Replace fuses or reset breaker. The washer should have a dedicated circuit.
	• Electronics need to be reset	• Press the POWER button, then reselect the desired cycle and press the START/PAUSE button.
	• START was not pressed after a cycle was set	• Press the POWER button then reselect the desired cycle and press the START/PAUSE button.
	• Extremely low water pressure	• Check another faucet in the house to make sure that household water pressure is adequate.
• Washer is too cold	• If the washer has been exposed to temperatures below freezing for an extended period of time, allow it to warm up before pressing POWER. Otherwise, the display will not come on.	
Washer not filling properly	• Filter clogged or fill hoses may be kinked	• Make sure that filters (blue and orange screens must be free of solids) on the unit are not clogged. Refer to the filter cleaning instructions on page 24. Check that fill hoses are not kinked or clogged.
	• Energy efficiency	• This is an energy-efficient washer. As a result the temperature settings for this washer may be different than non-energy-efficient washers.
	• Insufficient water supply	• Make sure that the water supply is turned on. Make sure that the water faucets are turned to their completely open positions.
	• The washer lid is open	• The washer lid must be closed for all washer cycle operations. If the lid is opened during washer operation, all functions will stop, including water filling.
	• Incorrect fill hose connection	• Make sure that the fill hoses connect the hot water supply to the hot inlet on the washer, and the cold water supply to the cold inlet on the washer (hot to hot, cold to cold).
	• Water fill optimization	• Water may not cover the top level of the clothes. This is normal for this high-efficiency washer. The water fill is optimized by the system for best wash performance.

TROUBLESHOOTING GUIDE

BEFORE CALLING FOR SERVICE (cont.)

ENGLISH

Problem	Possible Causes	Solutions
Washer will not drain water	<ul style="list-style-type: none"> • Kinked drain hose • Drain located higher than 8' above floor 	<ul style="list-style-type: none"> • Ensure that the drain hose is not kinked. • Make sure the drain hose is no higher than 96" above the bottom of the washer.
Water leaks every load	<ul style="list-style-type: none"> • Hoses not installed correctly 	<ul style="list-style-type: none"> • Check all fill and drain hose connections to ensure that they are tight and secure.
Water leaks	<ul style="list-style-type: none"> • Oversudsing of detergent 	<ul style="list-style-type: none"> • Oversudsing may create leaks, and may be caused by the type and amount of detergent used. High-efficiency detergent is recommended. Make sure that detergent and any additives are put into the correct dispenser compartments. Follow the detergent manufacture's recommendations for the amount of detergent, but try using less detergent, especially if home water conditioning or water softening units are used.
Incomplete or no dispensing of detergent	<ul style="list-style-type: none"> • Detergent compartments clogged from incorrect filling 	<ul style="list-style-type: none"> • Make sure that detergent and additives are put in to the correct dispenser compartments. If liquid detergent is used, make sure that the liquid detergent cup and insert are in the detergent compartment. If powdered detergent is used, make sure that the liquid detergent cup and insert are not used. For all detergent types, always make sure that the dispenser drawer is fully closed before the start of the cycle.
	<ul style="list-style-type: none"> • Too much detergent use 	<ul style="list-style-type: none"> • Make sure that the suggested amount of detergent is used per the manufacture's recommendations. You may also dilute the detergent with water to the maximum fill line on the compartment to avoid clogging. Use only HE (High-Efficiency) detergent. NOTE: Always use as little detergent as possible. High efficiency washers need very little detergent to achieve optimum results. Using too much detergent will cause poor wash and rinse performance.
	<ul style="list-style-type: none"> • Insufficient water supply 	<ul style="list-style-type: none"> • Make sure that the water supply is turned on. Make sure that the water faucets are turned to their completely open positions.
	<ul style="list-style-type: none"> • Normal residue 	<ul style="list-style-type: none"> • Small amounts of residue remaining in the dispenser compartments are normal. If this residue builds up it can interfere with normal dispensing of products. Refer to the cleaning instructions on page 25.
Premature dispensing of bleach	<ul style="list-style-type: none"> • Bleach dispenser filled for future load 	<ul style="list-style-type: none"> • You cannot store bleach in the dispenser for future use. The bleach will be dispensed every load.
	<ul style="list-style-type: none"> • Overfilling the bleach dispenser 	<ul style="list-style-type: none"> • Overfilling the dispenser with bleach may lead to premature dispensing. There is a maximum fill line indicated on the bleach dispenser to help avoid overfilling.
Clogging of bleach	<ul style="list-style-type: none"> • Bleach dispenser is not seated 	<ul style="list-style-type: none"> • Make sure that the bleach cover is properly seated and snapped into place before the start of the cycle.
	<ul style="list-style-type: none"> • Insufficient cleaning 	<ul style="list-style-type: none"> • Lift out the bleach dispenser cover and clean out the reservoir. Lint and other foreign debris that collects in the bottom may prevent proper dispensing of the bleach.
Poor stain removal	<ul style="list-style-type: none"> • Proper options not selected. • Previously set stains. 	<ul style="list-style-type: none"> • Heavier soils and tougher stains may require extra cleaning power. Select PRESOAK or STAIN TREAT to boost the cleaning power of the selected cycle. • Articles that have previously been washed may have stains that have been set. These stains may be difficult to remove and may require hand washing or retreating to aid in stain removal.

WARRANTY

Kenmore Elite Limited Warranty

When installed, operated and maintained according to all instructions supplied with the product, if this appliance fails due to a defect in material and workmanship within one year from the date of purchase, call 1-800-4-MY-HOME® to arrange for free repair.

If the direct drive motor (Stator, Rotor, Hall Sensor) is defective in material or workmanship within the second through tenth year from purchase date, call 1-800-4-MY-HOME® to receive a free replacement motor. After the first year from purchase date, you will be responsible for the labor cost of motor installation.

If the stainless steel tub is defective in material or workmanship within the lifetime of the appliance, call 1-800-4-MY-HOME to set up service for tub replacement. After the first year from purchase date, you will be responsible for the labor cost of tub replacement.

If this appliance is ever used for other than private family purposes, this warranty applies for only 90 days from the date of purchase.

This warranty covers only defects in material and workmanship. Sears will NOT pay for:

1. Expendable items that can wear out from normal use, including but not limited to filters, belts, light bulbs, and bags.
2. A service technician to instruct the user in correct product installation, operation or maintenance.
3. A service technician to clean or maintain this product.
4. Damage to or failure of this product if it is not installed, operated or maintained according to all the instructions supplied with the product.
5. Damage to or failure of this product resulting from accident, abuse, misuse or use for other than its intended purpose.
6. Damage to or failure of this product caused by the use of detergents, cleaners, chemicals or utensils other than those recommended in all instructions supplied with the product.
7. Damage to or failure of parts or systems resulting from unauthorized modifications made to this product.

Disclaimer of Implied warranties; limitation of remedies

Customer's sole and exclusive remedy under this limited warranty shall be product repair as provided herein. Implied warranties, including warranties of merchantability or fitness for a particular purpose, are limited to one year or the shortest period allowed by law. Sears shall not be liable for incidental or consequential damages.

Some states and provinces do not allow the exclusion or limitation of incidental or consequential damages, or limitation on the duration of implied warranties of merchantability or fitness, so these exclusions or limitations may not apply to you.

This warranty applies only while this appliance is used in the United States or Canada.

This warranty gives you specific legal rights, and you may also have other rights which vary from state to state.

Sears Brands Management Corporation, Hoffman Estates, IL 60179
Sears Canada Inc., Toronto, Ontario, Canada M5B 2B8

TABLA DE CONTENIDOS

MENSAJES DE SEGURIDAD	33
INSTRUCCIONES IMPORTANTES DE SEGURIDAD	33-35
REQUISITOS DE CONEXIÓN A TIERRA	35
CARACTERÍSTICAS Y BENEFICIOS	
Piezas y componentes clave	36
INSTRUCCIONES DE INSTALACIÓN	
Dimensiones y especificaciones clave	37
Elegir el lugar adecuado	37
Asentamiento en el suelo	37
Espacios de instalación	37
Desembalaje de la lavadora	38
Conexión de las líneas de agua	39
Conexión de la manguera de desagüe	40
Conectar al tomacorriente	40
Nivelado de la lavadora	41
FUNCIONAMIENTO	
Características del panel de control	42
Funcionamiento de la lavadora	43
Guía de ciclos	44
Clasificación de las cargas de lavado	45
Detalles sobre el depósito	46
Uso del detergente y el dispensador	47
La pantalla de tiempo y estado	48
Botones de modificación de ciclo	49
Botones de opción de ciclo	50-52
Función especial de seguridad	52
CUIDADOS Y LIMPIEZA	
Limpieza regular	53-54
Mantenimiento	54
Limpieza de la lavadora	55
RESOLUCIÓN DE PROBLEMAS	
Ruidos normales que puede escuchar	56
Antes de solicitar asistencia técnica	56-60
GARANTÍA	61

REGISTRO DE PRODUCTO

En el espacio de abajo, registre la fecha de compra, modelo y número de serie de su producto. Usted encontrará el número de modelo y de serie impreso en una placa de identificación ubicada dentro de la puerta de la lavadora. Tenga esta información disponible cuando se comunique con Sears en relación a su producto.

Nº de modelo _____

Fecha de compra _____

Nº de serie _____

Guarde estas instrucciones y su recibo de venta para referencia futura. _____

ACUERDOS DE PROTECCIÓN

Acuerdos Maestros de Protección

Felicitaciones por haber efectuado una compra inteligente. Su nuevo producto Kenmore® está diseñado y fabricado para brindar años de funcionamiento confiable. Pero como con todos los productos, puede requerir mantenimiento preventivo o reparaciones de vez en cuando. Ahí es cuando contar con un Acuerdo Maestros de Protección puede ayudarlo a ahorrar tiempo y dinero.

El Acuerdo Maestro de Protección también lo ayuda a extender la vida útil de su nuevo producto. El Acuerdo* incluye los siguientes puntos:

- **Piezas y mano de obra** requeridos para mantener los productos en buen funcionamiento bajo un uso normal, no sólo defectos. Nuestra cobertura va **mucho más allá de la garantía del producto**. Sin deducibles ni fallas funcionales excluidas de la cobertura—una protección real.
- **Servicio experto mediante un grupo de más de 10.000 técnicos autorizados de Sears**, lo que significa que alguien en quien confía va a trabajar en su producto.
- **Visitas a su domicilio ilimitadas y servicio en todo el país**, todas las veces que nos necesite, cuando nos necesite.
- **Garantía por defectos de fabricación—reemplazo de su producto** si se producen cuatro o más fallas dentro de los doce meses.
- **Reemplazo del producto** si éste no puede repararse.
- **Control de mantenimiento preventivo anual** a pedido, sin cargos extra.
- **Ayuda rápida por teléfono—Lo llamamos "resolución rápida"**. Soporte telefónico de un representante de Sears "manual de usuario que habla."
- **Protección de picos de tensión** contra daños eléctricos debido a fluctuaciones de la energía.
- **Protección anual de \$250 por pérdida de comida** que se haya producido como resultado una falla mecánica de cualquier refrigerador o freezer cubierto.
- **Reintegro por alquiler** si la reparación de su producto tarda más de lo prometido.
- **10% descuento** del precio normal de cualquier servicio de reparación no cubierto y de piezas relacionadas instaladas.

Una vez que adquiera el Acuerdo, sólo tiene que hacer un llamado telefónico para programar el servicio. Puede llamar en cualquier momento de día o de noche, o coordinar un servicio técnico online.

El Acuerdo Maestro de Protección es una compra libre de riesgo. Si usted lo cancela por cualquier razón durante el período de garantía del producto, le devolveremos la totalidad del dinero, o una devolución prorrateada en cualquier momento después de que expire el período de garantía. ¡Adquiera hoy su Acuerdo Maestro de Protección!

Se aplican algunas limitaciones y exclusiones. Para consultar precios e información adicional en los EE.UU., llame al 1-800-827-6655.

***La cobertura en Canadá varía en algunos ítems. Para más detalles, llame a Sears Canadá a 1-800-361-6665. Servicio de Instalación Sears**

Para la instalación profesional Sears de electrodomésticos, dispositivos para apertura de puertas de garajes, calentadores de agua y otros ítems domésticos importantes, en los EE.UU. o Canadá, llame al 1-800-4-MY-HOME®.

MENSAJES DE SEGURIDAD

En este manual y en su electrodoméstico figuran muchos mensajes importantes de seguridad. Lea y cumpla siempre con todos los mensajes de seguridad.



Éste es el símbolo de alerta de seguridad.

Este símbolo lo alerta sobre posibles riesgos que pueden resultar en daños sobre la propiedad y/o lesiones físicas graves o la muerte.

Todos los mensajes de seguridad estarán a continuación del símbolo de alerta de seguridad y con la palabra PELIGRO o ADVERTENCIA. Estas palabras significan:

! PELIGRO

Si no se siguen estas instrucciones de seguridad se pueden producir daños sobre la propiedad y/o lesiones graves o la muerte.

! ADVERTENCIA

Si no se siguen estas instrucciones de seguridad se pueden producir daños sobre la propiedad y/o lesiones graves o la muerte.

Todos los mensajes de seguridad le indicarán cuál es el riesgo potencial, le dirán cómo reducir las posibilidades de sufrir heridas y qué puede suceder si no se siguen las instrucciones.

INSTRUCCIONES IMPORTANTES DE SEGURIDAD

! ADVERTENCIA

Para reducir el riesgo de incendio, de descarga eléctrica, o de lesión a las personas al usar este aparato, siga las precauciones básicas, incluyendo las siguientes.

- Antes de usar, la lavadora debe estar correctamente instalada como se describe en este manual.
- No lave artículos que han sido limpiados, lavados, remojados o salpicados previamente con gasolina, disolventes de limpieza en seco, u otras sustancias inflamables o explosivas, ya que emanan vapores que podrían encenderse o explotar.
- No agregue gasolina, disolventes de limpieza en seco u otras sustancias explosivas al agua de lavado. Estas sustancias emanan vapores que podrían encenderse o explotar.
- Bajo ciertas condiciones, se puede producir gas hidrógeno en un sistema de agua caliente que no se haya usado por un plazo de 2 semanas o más. **EL GAS HIDRÓGENO ES EXPLOSIVO.** Si no se ha usado el sistema de agua caliente durante tal período, antes de utilizar la lavadora, abra todas las llaves de agua caliente y deje que el agua fluya durante algunos minutos. Esto liberará cualquier gas hidrógeno acumulado. Ya que el gas es inflamable, no fume ni use ninguna llama abierta durante este período.
- No deje que los niños jueguen en la lavadora o dentro de ella. Cuando se usa la lavadora cerca de los niños se necesita supervisión minuciosa.
- Antes de poner la lavadora fuera de servicio o de tirarla, quite la puerta para prevenir que los niños se metan dentro.
- No instale ni guarde la lavadora cuando esté expuesta a la intemperie o temperaturas de congelamiento.
- No toque los controles.
- No repare ni cambie ninguna pieza de la lavadora ni intente dar un mantenimiento diferente al descrito en este manual. Recomendamos enfáticamente que el mantenimiento lo brinde una persona calificada.
- Vea las Instrucciones de instalación para referirse a los requisitos de puesta a tierra.
- Siga SIEMPRE las instrucciones de mantenimiento de fábrica provistas por el fabricante de las prendas.
- No coloque artículos expuestos a aceite comestible en su lavadora. Los artículos contaminados con aceites comestibles podrían contribuir a la formación de una reacción química que cause que una carga de lavado se incendie.
- Use suavizadores de tela o productos para eliminar estática únicamente del modo recomendado por el fabricante.
- Esta lavadora no está diseñada para uso marino o instalaciones móviles tales como vehículos recreativos, aeronaves, etc.
- Cierre las llaves de agua y desenchufe la lavadora si va a dejar la lavadora sin funcionar por un período prolongado de tiempo, como durante las vacaciones.
- El material de embalaje podría resultar peligroso para los niños. ¡Existe el peligro de sufrir sofocación! Mantenga todos los elementos de embalaje fuera del alcance de los niños.
- Antes de cargar la lavadora, siempre revise que no haya objetos extraños en su interior. Mantenga la puerta cerrada cuando no se use.

INSTRUCCIONES IMPORTANTES DE SEGURIDAD

⚠ ADVERTENCIA

Para reducir el riesgo de incendio, de descarga eléctrica, o de lesión a las personas al usar este aparato, siga las precauciones básicas, incluyendo las siguientes.

- **Desenchufe la lavadora antes de limpiar la misma** para evitar el riesgo de descargas eléctricas.
- **Nunca use productos químicos abrasivos, limpiadores abrasivos o disolventes para limpiar la lavadora.** Dañarán el acabado.
- **No coloque trapos grasosos o aceitosos sobre la lavadora.** Estas sustancias despiden vapores que podrían prender fuego los materiales.
- **No lave prendas que estén sucias con aceite vegetal o de cocina.** Las mismas pueden quedar con algo de aceite luego del lavado y prenderse fuego.
- **Desconecte este electrodoméstico del tomacorriente tomacorriente antes de realizar cualquier función de mantenimiento. Colocar los controles en la posición OFF (apagado) no desconecta el electrodoméstico**

de la toma de corriente. Si no se cumple con esta advertencia se podrán producir heridas graves, incendios, descargas eléctricas o muerte.

- **No combine detergentes, suavizantes de tela y otros productos de lavandería de diferentes fabricantes en una misma carga, a menos que así se especifique en la etiqueta.**
- **No mezcle blanqueador con amoníaco o ácidos tales como vinagre. Siga las direcciones del paquete al usar productos del lavadero.** Un uso indebido puede producir gases venenosos, lo que puede resultar en heridas graves o la muerte.
- **No toque la lavadora mientras las piezas se estén moviendo. Antes de cargar, descargar o agregar prendas, pulse el botón de INICIO/PAUSA y espere hasta que el tambor se detenga totalmente antes de colocar las manos dentro.** No seguir esta advertencia puede causar lesiones serias, un incendio, una descarga eléctrica o incluso la muerte.

⚠ ADVERTENCIA

- **Consulte las INSTRUCCIONES DE INSTALACIÓN para un procedimiento detallado de conexión a tierra.** Junto con la lavadora se encuentran las instrucciones de instalación como referencia. Si cambiará de lugar la lavadora, contrate a una persona del servicio calificada para que la controle y reinstale. Si no se cumple con esta advertencia se podrán producir heridas graves, incendios, descargas eléctricas o muerte.
- **Nunca, bajo ninguna circunstancia, corte o elimine el tercer cable (tierra) del cable de corriente.** Si no se cumple con esta advertencia se podrán producir heridas graves, incendios, descargas eléctricas o muerte.
- **Para su seguridad personal, este electrodoméstico debe estar adecuadamente conectado a tierra.** Si no se cumple con esta advertencia se podrán producir heridas graves, incendios, descargas eléctricas o muerte.
- **El cable de corriente de este electrodoméstico contiene un enchufe de 3 cables (conexión a tierra) que se conecta a un tomacorriente de pared estándar de 3 cables (conexión a tierra) para minimizar la posibilidad de riesgos de descargas eléctricas por parte del mismo.**
- **La lavadora deberá estar conectada a un tomacorriente con conexión a tierra de 120VAC, 60 Hz.** Si no se cumple con esta advertencia se podrán producir heridas graves, incendios, descargas eléctricas o muerte.
- **Contrate a un electricista calificado para que controle el tomacorriente y el circuito eléctrico con el fin de asegurar que el enchufe esté correctamente conectado a tierra.** Si no se cumple con esta advertencia se podrán producir heridas graves, incendios, descargas eléctricas o muerte.
- **En caso de contar con un tomacorriente de pared de 2 cables, es su responsabilidad y obligación reemplazarlo por un tomacorriente de pared de 3 cables correctamente conectado a tierra.** Si no se cumple con esta advertencia se podrán producir heridas graves, incendios, descargas eléctricas o muerte.
- **No instalar sobre alfombra. Instale la lavadora sobre un suelo firme.** Si no se cumple con esta advertencia se podrán producir daños por filtraciones.
- **No elimine el cable de conexión a tierra. No use un adaptador o prolongador. Enchufe en un**

tomacorriente con conexión a tierra de 3 cables. Si no se cumple con esta advertencia se podrán producir heridas graves, incendios, descargas eléctricas o muerte.

- **La lavadora debería estar siempre conectada a un enchufe individual con un índice de voltaje equivalente al que figura en su etiqueta de características técnicas.** Esto garantiza el mejor funcionamiento y además previene la sobrecarga de los circuitos del hogar, lo cual podría ocasionar riesgos de incendio debido al recalentamiento de cables.
- **Nunca desenchufe su lavadora empujando el cable de corriente.** Siempre tome su enchufe firmemente y mpuje el mismo hacia fuera para retirarlo. Si no se cumple con esta advertencia se podrán producir heridas graves, incendios, descargas eléctricas o muerte.
- **Repere o cambie de inmediato todos los cables del servicio eléctrico que se hayan pelado o dañado. No utilice cables que muestren grietas o daños por abrasión por su extensión o en cualquier extremo.** No seguir esta advertencia puede causar lesiones serias, un incendio, una descarga eléctrica o incluso la muerte.
- **Al instalar o cambiar de lugar la lavadora, evite todo tipo de cortes u otros daños en el cable de corriente.** Si no se cumple con esta advertencia se podrán producir heridas graves, incendios, descargas eléctricas o muerte.
- **La lavadora debe ser instalada y conectada a tierra por una persona especializada del servicio técnico cumpliendo con los códigos locales para prevenir riesgos de descargas y asegurar la estabilidad durante el funcionamiento.**
- **La lavadora es pesada. Se necesitan dos o más personas para instalar y trasladar el electrodoméstico.** Si esto no se cumple se podrán producir diversas heridas, tales como lesiones en la espalda.
- **Ubique e instale la lavadora evitando su exposición a temperaturas bajo cero o a condiciones climáticas en áreas exteriores.** Si no se cumple con esta advertencia se podrán producir daños por filtraciones.
- **Con el fin de reducir el riesgo de descargas eléctricas no instale la lavadora en espacios húmedos.** Si no se cumple con esta advertencia se podrán producir heridas graves, incendios, descargas

INSTRUCCIONES IMPORTANTES DE SEGURIDAD

⚠ ADVERTENCIA: RIESGO PARA NIÑOS

- **No permita que los niños jueguen sobre o dentro de la lavadora. La supervisión cercana de niños es necesaria cuando la lavadora se utiliza cerca de niños. A medida que los niños crecen, enséñeles al uso apropiado y seguro de todos los electrodomésticos.** El incumplimiento de estas advertencias podría resultar en graves lesiones personales graves o la muerte.
- **Destruya el cartón, la bolsa de plástico, y otros materiales de embalaje después de desempaquetar la lavadora. Los niños podrían utilizarlos para jugar. Los cartones cubiertos con las mantas, las colchas, o las hojas plásticas pueden convertirse en compartimentos herméticos.** El incumplimiento de estas advertencias podría resultar en graves lesiones personales graves o la muerte.
- **Guarde los productos del lavadero fuera del alcance de los niños. Para evitar daños corporales, observe todas las advertencias en etiquetas del producto.** No cumplir con estas advertencias puede provocar daños corporales graves.
- **Quite la puerta del compartimento de lavado para evitar el peligro de que niños o animales pequeños queden atrapados adentro antes de que su lavadora se quite de servicio o se deseche.** No hacerlo puede provocar lesiones personales graves o la muerte.

REQUISITOS DE CONEXIÓN A TIERRA

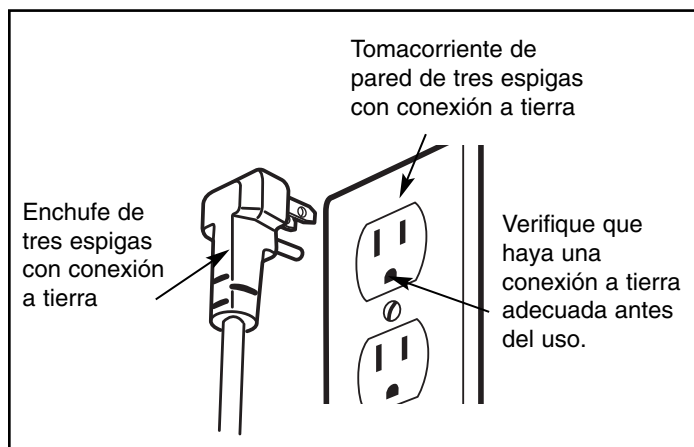
IMPORTANTE: Lea cuidadosamente. PARA CONECTAR LA ELECTRICIDAD

⚠ ADVERTENCIA

Una conexión inapropiada del conductor de equipo a tierra puede resultar en riesgo de recibir una descarga eléctrica. Verifique con un electricista calificado si tiene dudas sobre si el aparato está correctamente conectado a tierra. No modifique la clavija provista con el aparato. Si no encaja con la toma de corriente, haga instalar una toma de corriente adecuada por un electricista calificado. No seguir estas advertencias puede ocasionar lesiones graves, incendios, descargas eléctricas o la muerte.

INSTRUCCIONES PARA LA CONEXIÓN A TIERRA

Este aparato debe ser conectado a tierra. Dado el caso de descompostura o mal funcionamiento, la conexión a tierra reduce el riesgo de recibir una descarga eléctrica proveyendo una vía de menor resistencia a la corriente eléctrica. Este aparato está equipado con un cable que tiene un conductor de equipo a tierra y una clavija de tierra. El enchufe debe ser conectada en una toma de corriente adecuada que esté propiamente instalada y conectada a tierra de acuerdo con los códigos y ordenanzas locales.



CARACTERÍSTICAS Y BENEFICIOS

PIEZAS Y COMPONENTES CLAVE

A BLOQUEO DE PUERTA

La puerta de la lavadora se bloquea mientras está en funcionamiento. La puerta se puede desbloquear al pulsar el botón de Inicio/Pausa para detener la lavadora.

B TAMBOR DE ACERO INOXIDABLE DE MÁXIMA CAPACIDAD

El tambor de acero inoxidable de máxima capacidad ofrece una durabilidad óptima.

C TAPA DE CIERRE SUAVE

La TAPA DE CIERRE SUAVE es un mecanismo de seguridad que permite que la cubierta se cierre con suavidad. El cierre en sí sujeta el peso de la cubierta evitando que ésta se caiga y pueda golpear al usuario.

D CUBIERTA DE VIDRIO TEMPLADO

La cubierta de vidrio templado es resistente y facilita que se vea el interior de la lavadora.

E BOTÓN DE SELECCIÓN DE CICLO

Gire este botón para seleccionar el ciclo que desee. Una vez seleccionado el ciclo, se mostrarán en la pantalla los preajustes estándar. Dichos ajustes se pueden modificar mediante los botones de configuración de ciclo. Podrá hacerlo en cualquier momento antes de iniciar el lavado.

F PANEL DE CONTROL POSTERIOR CON PANTALLA LED

La pantalla LED de fácil lectura muestra las opciones de ciclo, la configuración y el tiempo estimado restante durante el funcionamiento.

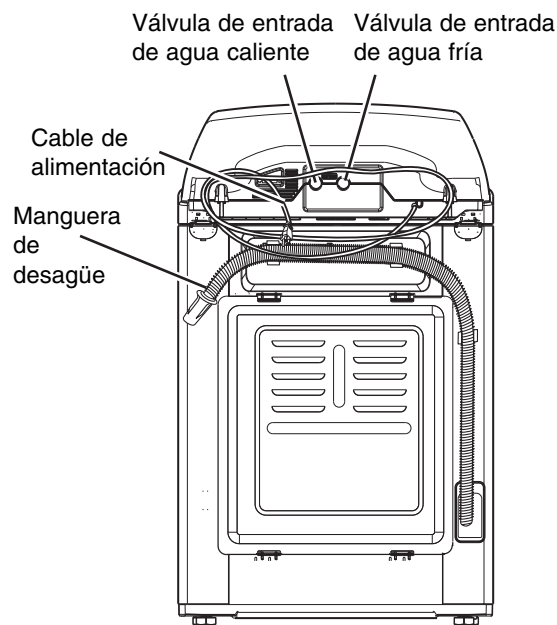
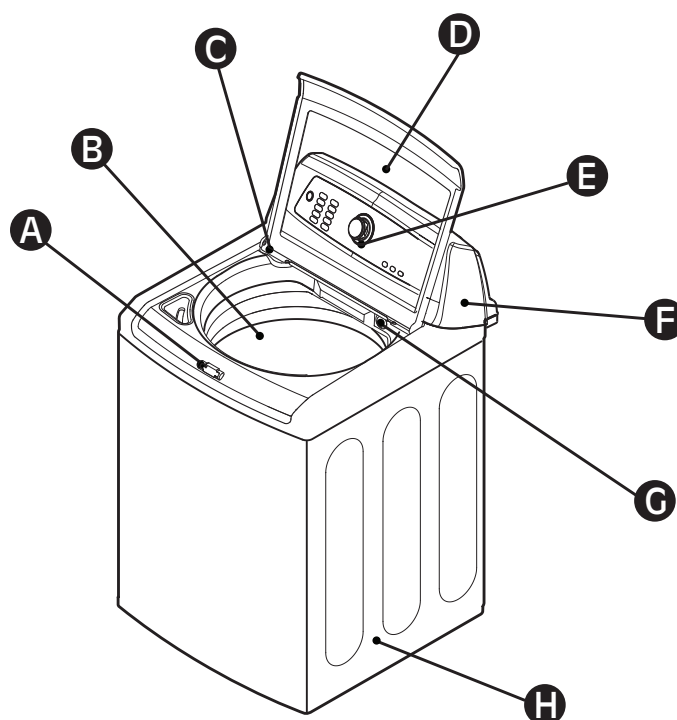
G SMART RINSE (ENJUAGUE INTELIGENTE) CON ENJUAGUE DE CHORRO

Esta lavadora está diseñada para ahorrar agua durante el lavado mediante el uso del SMART RINSE con spray de chorro en los ciclos de lavado NORMAL/INFORMAL y MUY SUCIO.

NOTA: Seleccione la opción SUAVIZANTE o ENJUAGUE EXTRA, si utiliza suavizante en los ciclos NORMAL/INFORMAL y MUY SUCIO.

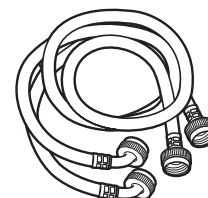
H CALENTADOR DE AGUA (NO VISIBLE)

El calentador en el interior de la lavadora aumenta la temperatura del agua y ofrece mayor limpieza durante el ciclo "SANITIZE (Desinfección)" y "WHITEST WHITES (Blancos blanquísimos)".



Accesorios incluidos

- Mangueras de agua fría y caliente Con 2 juntas por manguera en cada extremo



- Sujetacables (para asegurar la manguera de drenaje)



INSTRUCCIONES DE INSTALACIÓN

DIMENSIONES Y ESPECIFICACIONES CLAVE

Descripción	Lavadora de carga superior
Requisitos eléctricos	120VAC, 60Hz
Dimensiones	27"(anchura) X 28 ³ / ₈ "(profundidad) X 45 ³ / ₈ "(altura), 55 ³ / ₄ "(altura con la puerta abierta) 68,6 cm (anchura) X 72,1 cm (profundidad) X 115,3 cm (altura), 141,7 cm (altura con la puerta abierta)
Peso neto	145.5 lbs. (66 kg)

ELEGIR EL LUGAR ADECUADO

⚠️ ADVERTENCIA

- **Recuerde que la lavadora es pesada. Se precisan dos o más personas para moverla y retirar su embalaje.** No seguir esta advertencia puede ser motivo de daños.
- **Guarde e instale la lavadora en una zona no expuesta a temperaturas por debajo de cero o sometida a las inclemencias del tiempo.** No seguir esta advertencia puede ocasionar daños físicos serios, incendio, descarga eléctrica o muerte.
- **Fije la lavadora correctamente a tierra conforme a los códigos y normativas aplicables.** No seguir esta advertencia puede ocasionar daños físicos serios, incendio, descarga eléctrica o muerte.
- **Para reducir el riesgo de descarga eléctrica, no instale la lavadora en entornos con humedad.** No seguir esta advertencia puede ocasionar daños físicos serios, incendio, descarga eléctrica o muerte.
- La apertura de la base no debe obstruirse cuando la lavadora se instale en un suelo con alfombras o moqueta.
- Mantenga el área alrededor y bajo el dispositivo libre de materiales combustibles, como pelusa, papel, trapos, productos químicos, etc.
- **No retire las púas de conexión a tierra. No utilice ningún adaptador o cable alargador. Enchufe a una toma de 3 púas de puesta a tierra.** No seguir esta advertencia puede ocasionar daños físicos serios, incendio, descarga eléctrica o muerte.

TOMA DE CORRIENTE

- La toma de corriente debe estar a 1,5 m (60 pulg.) de cada lado de la lavadora.
- El electrodoméstico y la toma de corriente deben posicionarse de manera que se acceda fácilmente al enchufe.
- No sobrecargue la toma con más de un electrodoméstico.
- La toma debe conectarse a tierra conforme a los códigos de cableado y las normativas aplicables.
- Se recomienda utilizar un fusible de retardo o un disyuntor.

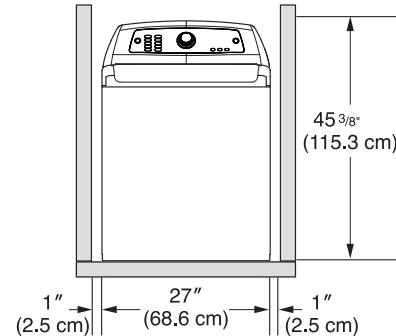
NOTA: Es responsabilidad y obligación personal del propietario del producto disponer de una toma de corriente adecuada instalada por un electricista cualificado.

ASENTAMIENTO EN EL SUELO

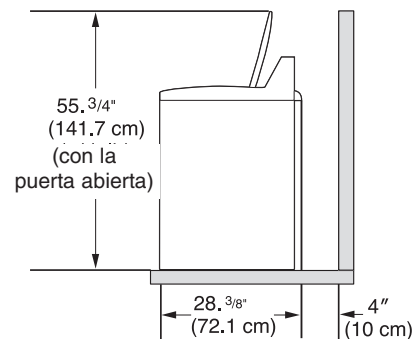
- A fin de minimizar el ruido y la vibración, la lavadora **DEBE** instalarse en un suelo asentado sobre una base sólida.
- La inclinación máxima permitida es de 1 grado.
- No se recomiendan los suelos de moqueta o alfombras ni los de baldosas no rígidas.
- Nunca instale la lavadora en una plataforma o estructura con una base de apoyo debilitada.

NOTA: La lavadora debe instalarse sobre una superficie firme y estable para minimizar la vibración y el ruido durante el ciclo de centrifugado. Los suelos de cemento son idóneos, aunque la madera también es adecuada, siempre que cumpla con los estándares FHA. La lavadora no debe instalarse sobre alfombras o en exteriores.

ESPACIOS DE INSTALACIÓN



Para asegurar que hay suficiente espacio para las líneas de agua, deje una separación mínima de al menos 2,5 cm (1 pulg.) a ambos lados y 10 cm (4 pulg.) detrás de la unidad. Asegúrese de dejar espacio suficiente en relación a la pared, puerta y suelo, según pueda requerirse.

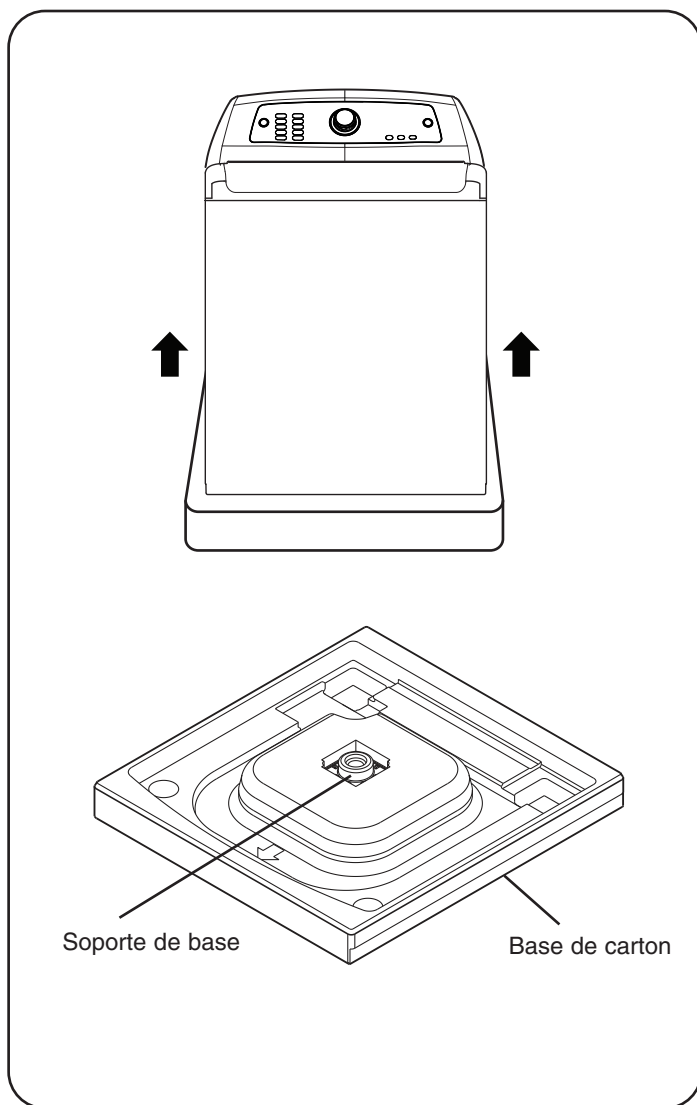


El espacio vertical mínimo desde el suelo a las estanterías o armarios superiores, al techo, etc. es de 142 cm (56 pulg.).

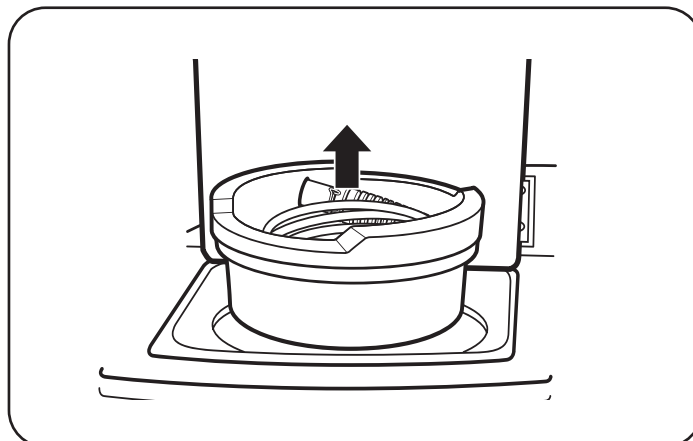
INSTRUCCIONES DE INSTALACIÓN

DESEMBALAJE DE LA LAVADORA

Al retirar la lavadora de la caja de cartón, asegúrese de retirar el Soporte de base del medio de la base de cartón. Si debe asentar la lavadora hacia abajo para quitar los materiales de embalaje de la base, siempre proteja el lado de la lavadora y deposítela con cuidado sobre su lado. NO asiente la lavadora sobre su parte frontal o posterior.

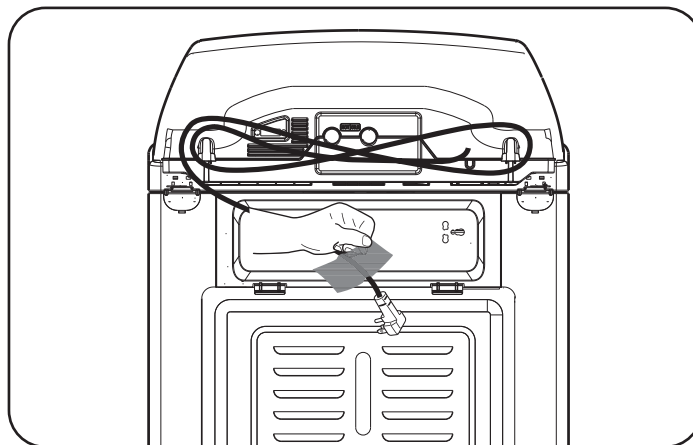


1. Tras retirar el cartón y el material de embalaje, eleve y separe la lavadora de la base de espuma. Asegúrese de que el soporte plástico de la cuba se suelte con la base y no quede adherido a la parte inferior de la lavadora.



2. Retire la parte del embalaje que incluye el Manual del propietario, las piezas, las mangueras de agua y las muestras de productos para el lavado.

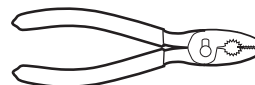
NOTA: No retire el bloque de espuma hasta que se haya colocado la lavadora en su ubicación definitiva.



3. Afloje el cable de alimentación de la parte trasera de la lavadora.

HERRAMIENTAS A UTILIZAR

- Alicates regulables



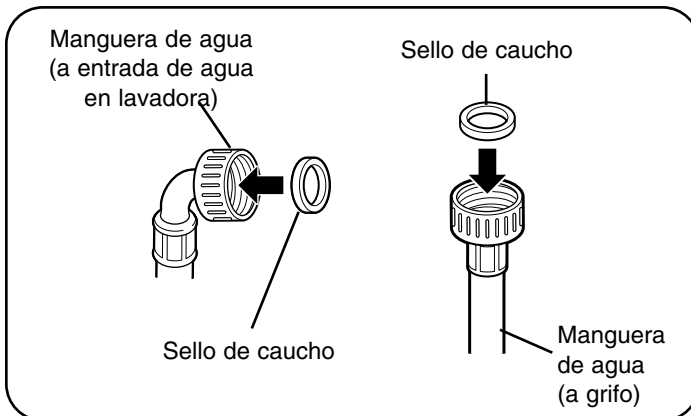
- Nivel de carpintero



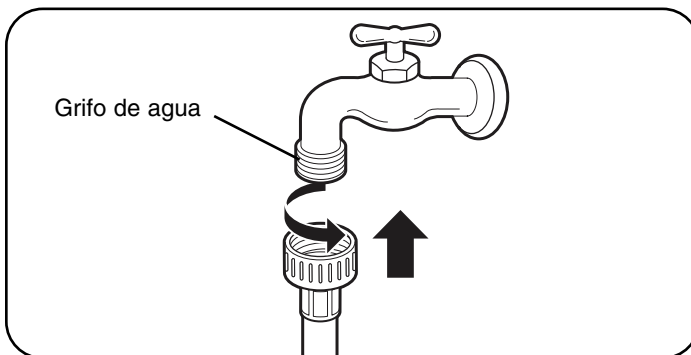
INSTRUCCIONES DE INSTALACIÓN

CONEXIÓN DE LAS LÍNEAS DE AGUA

- **IMPORTANTE:** Cuando instale la lavadora utilice mangueras nuevas. NO reutilice ninguna ya usada.
- **IMPORTANTE:** Utilice SÓLO las mangueras de entrada facilitadas por LG con este producto. El uso de otro tipo de mangueras no garantiza un ajuste o funcionamiento correcto. En ese caso, podrían no ajustar debidamente y esto podría conllevar fugas. Cualquier daño posterior en el producto o en la propiedad no estará cubierto por los términos de la garantía de LG.
- La presión del suministro de agua debe estar comprendida entre 14,5 psi y 116 psi (100 a 800 kPa). Si la presión del suministro de agua es superior a 116 psi, debe instalarse una válvula de reducción de presión.
- Compruebe periódicamente la manguera por si hubiera grietas, fugas y desgaste, y sustitúyala cada 5 años.
- Asegúrese de que las líneas de agua no están en tensión, pinzadas, aplastadas o deformadas.
- La lavadora nunca debería instalarse o guardarse en un lugar expuesto a bajas temperaturas. Pueden provocarse daños en las líneas de agua y en los mecanismos internos de la lavadora. Si la lavadora ha estado expuesta a bajas temperaturas antes de su instalación, déjela a temperatura ambiente durante varias horas antes de utilizarla.



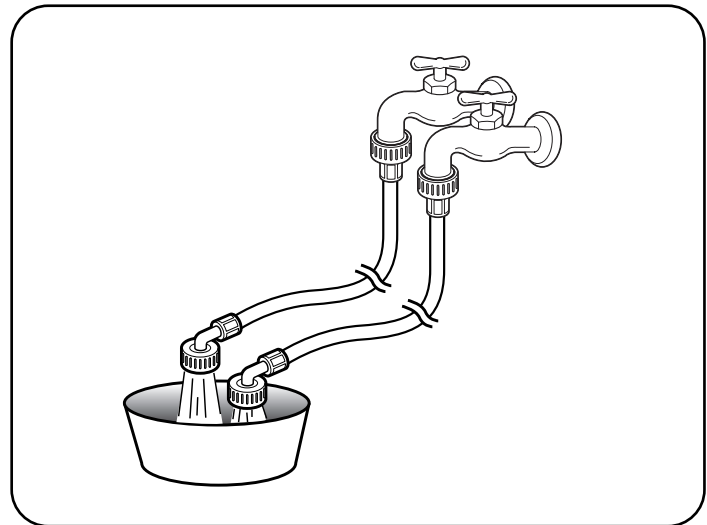
1. Inspeccione el accesorio roscado de cada manguera y verifique que haya un sello de goma en ambos extremos.



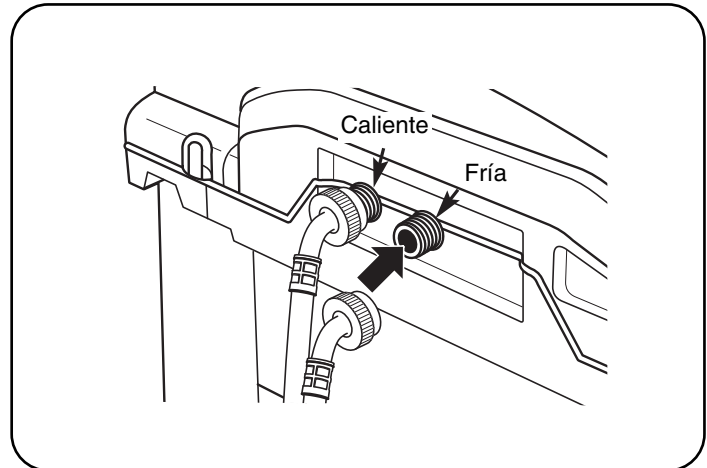
2. Conecte las tuberías de agua a las llaves de paso de agua caliente y fría y apriete las conexiones con la mano. A continuación, utilice unos alicates para apretarlas otro 2/3 de vuelta. Abra las llaves de paso del agua y revise si hay fugas.

NOTA: Calentador de agua configurado para suministrar agua a 49°C (120°F) a la lavadora.

NOTA: Para evitar que se acumule el detergente y pueda atascar el filtro de la válvula de entrada, enjuague bien con agua ambas caras y la manguera para retirar las partículas o impurezas en un recipiente.



3. Se recomienda hacer pasar entre ocho y quince litros de agua por cada manguera para evitar futuros problemas de obstrucciones en las pantallas de los filtros.



4. Acople de las mangueras de agua a la lavadora. Enrosque la manguera de agua caliente a la conexión de agua caliente de la lavadora (rojo) y la manguera de agua fría a la conexión de agua fría (azul). Apriete con la mano y después dé una vuelta 1/8 adicional con ayuda de los alicates.

NOTA: Asegúrese de no enroscar mal los accesorios de la manguera porque esto dañará la válvula y puede provocar daños a la propiedad debido a pérdidas.

NOTA: No apriete en exceso los conectores de la manguera. Acople la línea de agua caliente a la entrada de agua caliente de color rojo en la parte trasera de la lavadora. Acople la línea de agua fría a la entrada de agua fría de color azul en la parte trasera de la lavadora. Apriete las conexiones con firmeza.

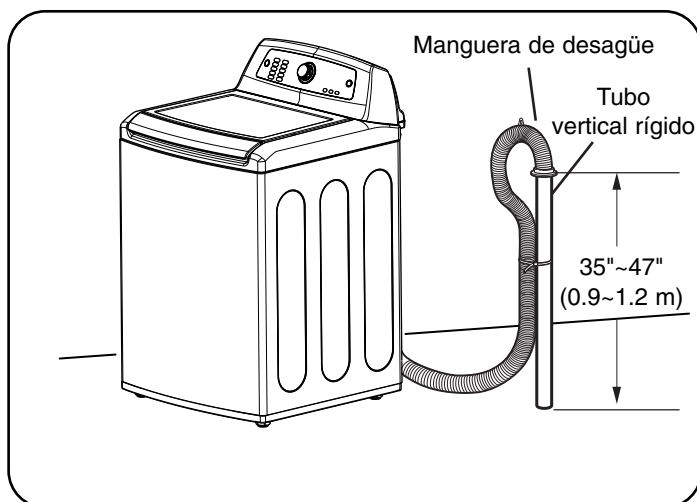
NOTA: Apriete las conexiones con firmeza. Abra los grifos de agua en su totalidad para comprobar que no haya ninguna fuga.

INSTRUCCIONES DE INSTALACIÓN

CONEXIÓN DE LA MANGUERA DE DESAGÜE

- La manguera de drenaje siempre debe estar asegurada adecuadamente. No asegurar adecuadamente la manguera de drenaje puede resultar en inundación o daños a la propiedad.
- El drenaje debe instalarse según todos los códigos y regulaciones locales vigentes.
- Asegúrese de que la manguera de drenaje no se estire, pinche, rompa ni retuerza.

Opción 1: Tubo vertical

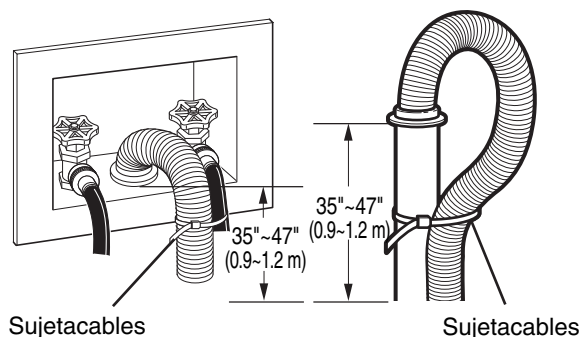


NOTA:

- La altura total del extremo de la manguera debe ser de aproximadamente (0.9~1.2 m) (35~47 plug.) en relación al suelo.
- La manguera de desagüe no debe insertarse más de 4 pulgadas en el tubo vertical.
- No instalar el extremo de la manguera a una altura de más de 243,8 cm (96 pulgadas) sobre la parte inferior de la lavadora.

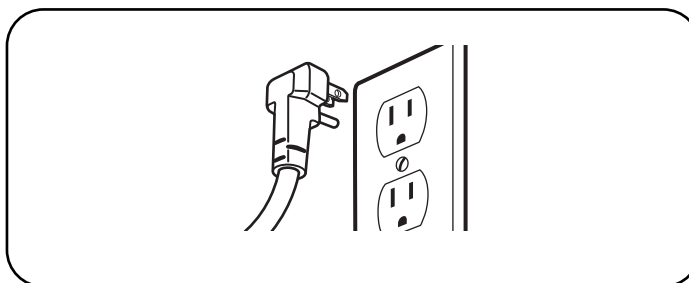
Introduzca con firmeza el otro extremo de la manguera de desagüe en la entrada de desagüe de su casa. Asegúrese de que el extremo de goma menos rígido quede completamente insertado en la entrada de desagüe.

- Si las válvulas de agua y drenaje están insertadas en la pared, fije la manguera de desagüe a una de las mangueras de agua; para ello, utilice un sujetacables (el lado acanalado en la parte interior).
- Si su drenaje es un tubo vertical rígido, fije el tubo de drenaje a dicho tubo vertical; para ello, utilice el sujetacables facilitado.



CONECTAR AL TOMACORRIENTE

La lavadora debe conectarse a una toma de 120V AC, 60Hz y 3 púas de puesta a tierra. Conecte la lavadora



⚠ ADVERTENCIA

Una conexión inapropiada del conductor de equipo a tierra puede resultar en riesgo de recibir una descarga eléctrica. Verifique con un electricista calificado si tiene dudas sobre si el aparato está correctamente conectado a tierra. No modifique la clavija provista con el aparato.

Si no encaja con la toma de corriente, haga instalar una toma de corriente adecuada por un electricista calificado. No seguir estas advertencias puede ocasionar lesiones graves, incendios, descargas eléctricas o la muerte.

INSTRUCCIONES DE INSTALACIÓN

NIVELADO DE LA LAVADORA

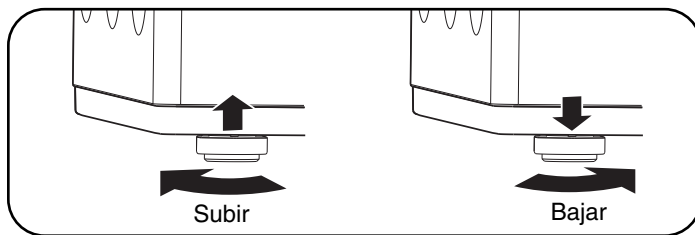
El tambor de su nueva lavadora centrifuga a velocidades muy altas. Para minimizar la vibración, el ruido y movimiento no deseados, el piso deberá ser una superficie perfectamente nivelada y sólida.

NOTA: Ajuste las patas niveladoras solo en la medida necesaria para nivelar la lavadora. La extensión de las patas niveladoras más de lo necesario puede causar vibración de la lavadora.

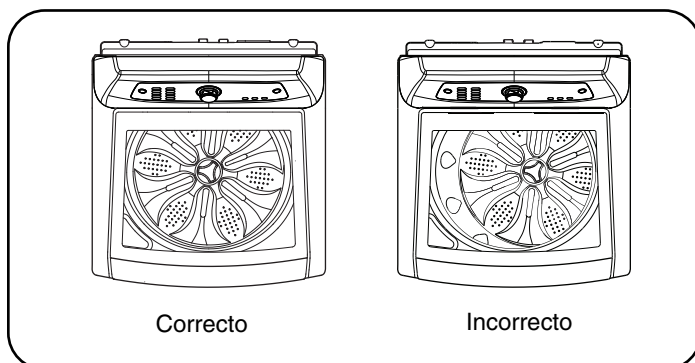
NOTA: Si debe utilizarse una bandeja de goteo, tenga mucho cuidado de seguir las instrucciones provistas con la misma y asegúrese de que las patas niveladoras se encuentren ajustadas para lograr un contacto firme y parejo con la bandeja.

- Las 4 patas niveladoras deberán apoyarse firmemente en el piso. Intente mover la lavadora de una esquina hacia otra para asegurar que los cuatro pies de nivelación tengan un contacto firme sobre el piso.

1. Coloque la lavadora en su posición final, teniendo cuidado de no pinzar, forzar o aplastar las líneas de agua y desagüe. Coloque un nivel en la parte superior de la lavadora.

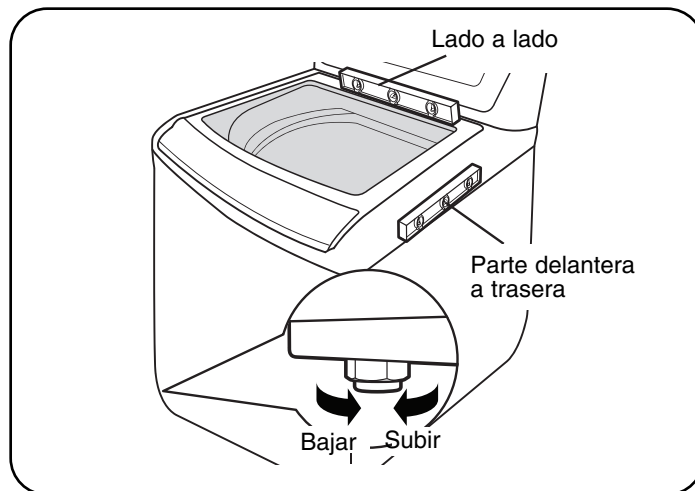


2. Ajuste el 2 frontales patas niveladoras. Gire hacia la derecha para subir la lavadora o hacia la izquierda para bajarla.



3. Para asegurarse de que la lavadora está nivelada correctamente, abra la cubierta y mire desde arriba para ver si es lo mismo que se muestra desde al arriba. Si tiene un nivel, compruebe la nivelación exacta de la lavadora.

- Para comprobar si la lavadora está nivelada, coloque un nivel en el borde posterior de la tapa.
- Para comprobar si está nivelada de la parte delantera a la trasera, coloque un nivel a un lado de la lavadora en el borde donde el lado de la estructura coincide con la cubierta superior.

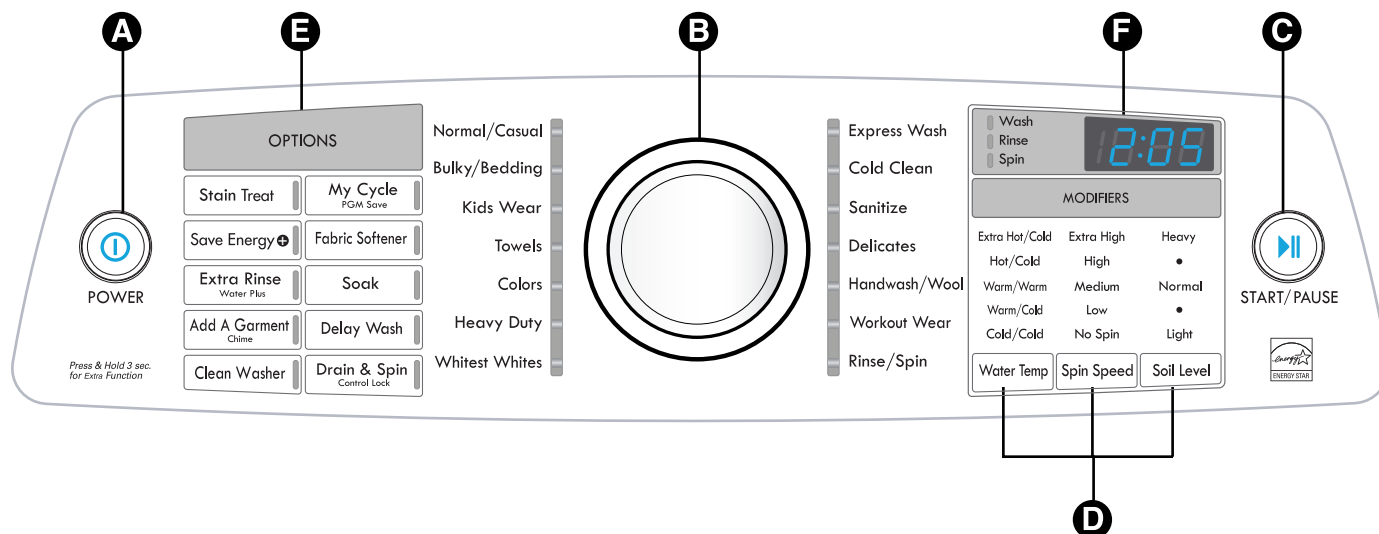


CÓMO USAR



ADVERTENCIA: Para reducir el riesgo de incendios, descargas eléctricas o heridas, lea este guía de uso y mantenimiento en su totalidad, incluyendo las Instrucciones Importantes de Seguridad, antes de operar la lavadora.

CARACTERÍSTICAS DEL PANEL DE CONTROL



A BOTÓN POWER ON/OFF (ENCENDIDO/APAGADO)

Pulse para encender la lavadora. Pulse de nuevo para apagarla.

NOTA: Si la arandela permanece inactiva durante 4 minutos tras apagar la lavadora, el agua del tambor se drenará. Sonará una alarma 1 minuto antes del vaciado de agua y aparecerá "dr" en la pantalla. Puede reiniciar la lavadora en este momento. Sin embargo, una vez que la lavadora comience a desaguar, se suspenderán todas las funciones, y se mostrará 'dr' hasta que termine el vaciado, y se perderán todos los ajustes de ciclo.

B BOTÓN DE SELECCIÓN DE CICLO

Dé vuelta a esta perilla para seleccionar el ciclo deseado. Una vez que se ha seleccionado el ciclo deseado, las preconfiguraciones estándar podrán verse en la pantalla. Estas configuraciones se puede modificar usando los botones del ajuste del ciclo en cualquier momento antes de comenzar el ciclo. (Ver la tabla de ciclos de la página 44 con las configuraciones permitidas. Para proteger sus telas, no todas las configuraciones se permiten en todos los ciclos).

C BOTÓN DE INICIO/PAUSA

Pulse este botón para el INICIO del ciclo seleccionado. Si la lavadora está en funcionamiento, utilice este botón para la PAUSA del ciclo sin perder los ajustes establecidos.

NOTA: Si no pulsa el botón de INICIO/PAUSA en 4 minutos como máximo después de seleccionar el ciclo, la lavadora se apagará automáticamente.

NOTA: Si la lavadora permanece inactiva durante 8 minutos después de la pausa del ciclo, se vaciará el agua de la cuba y se perderán todos los ajustes de ciclo, se vaciará el agua de la cuba y se perderán todos los ajustes de ciclo. Consulte una descripción completa en la página 52.

D BOTONES DE PROGRAMACIÓN DE CICLOS

Utilice estos botones para seleccionar las opciones de ciclo deseadas para el ciclo seleccionado. Las luces ubicadas sobre los botones muestran la selección actual. Ver la página 49 para una descripción completa.

NOTA: No todas las configuraciones están disponibles en todas las selecciones de ciclos. Para más detalles, lea el cuadro de la página 44.

E BOTONES DE OPCIÓN DE CICLOS

Estos botones le permiten seleccionar opciones de ciclo adicionales que se iluminarán cuando los seleccione. Ciertos botones también le permiten activar funciones específicas al pulsar durante 3 segundos el botón.

Consulte una descripción completa en la página 50, 51, 52.

F PANTALLA DE TIEMPO Y ESTADO

El display muestra el tiempo restante estimado y el estado del ciclo.

Consulte una descripción completa en la página 48.

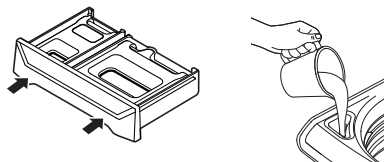
CÓMO USAR

FUNCIONAMIENTO DE LA LAVADORA



1 ELIJA LA ROPA A LAVAR Y LA CARGA.

Consulte la página 45.



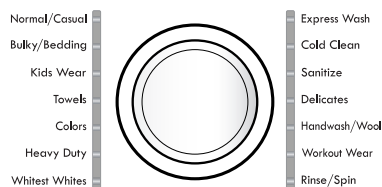
2 AÑADIR DETERGENTE

Añada detergente HE al dispensador de detergente. Consulte la página 47 para obtener más información.



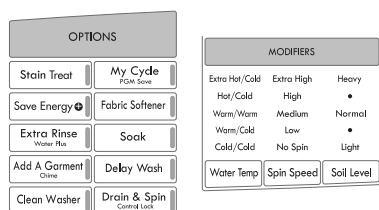
3 ENCIENDA LA LAVADORA

Presione el botón POWER (ENCENDIDO/APAGADO) para encender la lavadora. Los testigos luminosos que rodean el mando del selector de ciclo se iluminarán y emitirán un aviso sonoro al girarlo. Consulte la página 42.



4 SELECCIONAR UN CICLO

Gire el mando selector de ciclo en cualquier sentido para escoger el ciclo que desee. Se mostrarán los ajustes preestablecidos de temperatura de Wash/Rinse (lavado/enjuague), Spin Speed (velocidad de centrifugado), Soil Level (nivel de suciedad) y opciones para este ciclo. Consulte la página 42.



5 SELECCIONE LAS OPCIONES Y MODIFICACIONE

Los ajustes predeterminados para el ciclo escogido podrán cambiarse ahora si lo desea. Utilice los botones de modificación del ciclo que se indican la página 19. También es posible incorporar las opciones del ciclo por medio de los botones de opciones que se indican en las páginas 50 - 52.

NOTA: Para proteger sus telas, no todas las configuraciones se permiten en todos los ciclos.

NOTA: No todas las opciones están disponibles en todos los ciclos. Si no es posible seleccionar una opción determinada, se emitirá una alarma sonora y el indicador LED no se encenderá.



6 INICIE EL CICLO.

Pulse el botón de INICIO/PAUSA para iniciar el ciclo. Se cerrará la puerta, la pantalla cambiará y la lavadora iniciará el cálculo del tiempo estimado restante. Una vez calculado el tiempo total estimado para el ciclo, la lavadora se pondrá en funcionamiento. Para pausar el ciclo en cualquier momento, pulse PAUSA. Para reanudar el ciclo desde donde se ha detenido, pulse de nuevo INICIO/PAUSA.

Pulse el botón START/PAUSE para hacer una pausa en el ciclo y añadir prendas a la carga. Se iluminará el indicador ADD A GARMENT (añadir una prenda) durante unos momentos antes del inicio del ciclo de lavado, para indicar cuándo pueden añadirse prendas a la carga de forma segura.

NOTA: No se recomienda añadir prendas, a menos que el indicador ADD A GARMENT esté iluminado, porque podría bajar el rendimiento de la lavadora.

NOTA: Cuando finalice el proceso, se escuchará la alarma (si está activada) a la vez que se desbloquea la puerta. Para evitar las arrugas, saque la ropa de la lavadora lo antes posible una vez finalizado el ciclo.

NOTA: La acción de lavado CASCADE está disponible para cargas de 3,5 kg o mayores en los ciclos NORMAL/CASUAL o HEAVY DUTY.

CÓMO USAR

GUÍA DE CICLOS

La guía de ciclos incluida a continuación indica las configuraciones predeterminadas, opciones disponibles y tipos de tela recomendadas para cada ciclo. Los ajustes de modificación permitidos se indican debajo de la configuración predeterminada de cada ciclo.

● = Opción disponible
 ■ = Configuración predeterminada

Ciclo	Tipo de prenda	Lavado/Enjuague	Velocidad de Centrifugado	Nivel de suciedad	Tratamiento de manchas	Ahorrar energía	Aclarado adicional	Más agua	Agregar una prenda
Normal/Casual (Normal/Informal)	Algodón, lino, toallas, camisas, vaqueros, jeans, cargas mixtas	Templado/Frío	Alto	Normal					
		Caliente/Frío Frío/ Frío	Muy alto Sin centrifugado Medio	Alto Bajo	●	●	●	●	●
Cold Clean (Limpieza en frío)	Cargas pequeñas de algodón, lino, toallas, camisas, sábanas, tejanos y cargas mixtas	Frío/ Frío	Alto	Normal					
			Muy alto Sin centrifugado Bajo Medio	Alto Bajo			●	●	●
Heavy Duty (Muy sucio)	Prendas de algodón muy sucias	Templado/Frío	Alto	Alto					
		Templado/Templado Caliente/Frío Frío/ Frío	Muy alto Sin centrifugado Bajo Medio	Bajo Normal	●	●	●	●	●
Bulky/Bedding (Voluminos/ Ropa de cama)	Prendas grandes tales como mantas y edredones	Templado/Frío	Medio	Normal					
		Templado/Templado Caliente/Frío Frío/ Frío	Alto Muy alto Sin centrifugado Bajo	Alto Bajo			●		●
Whitest Whites (Blancos blanquísimos)	Prendas blancas	Caliente/Frío	Alto	Alto					
		Templado/Frío Templado/Templado	Muy alto Sin centrifugado Bajo	Bajo Normal			●	●	●
Rinse & Spin (enjuague y centrifugado)	Enjuague y centrifugado	Frío/ Frío	Alto						
			Muy alto Sin centrifugado Bajo Medio				●	●	
Sanitize (Desinfección)	Ropa interior muy sucia, ropa de trabajo, Ropa ligeramente sucia y cargas pequeñas, etc.	Muy caliente/Frío	Alto	Alto					
			Muy alto Sin centrifugado Bajo Medio	Bajo Normal			●		●
Kids wear (Ropa para niños)	Ropa para niños	Templado/Templado	Alto	Bajo					
		Caliente/Frío Templado/Frío	Muy alto Sin centrifugado Bajo Medio	Normal Alto			●	●	●
Towels (Toallas)	Toallas, camisas, sábanas, vaqueros, cargas mixtas	Templado/Frío	Alto	Normal					
		Templado/Templado Caliente/Frío Frío/ Frío	Muy alto Sin centrifugado Bajo Medio	Alto Bajo	●		●	●	●
Workout Wear (Prendas deportivas)	Prendas sintéticas inarrugables	Templado/Frío	Medio	Normal					
		Templado/Templado Frío/ Frío	Alto Sin centrifugado Bajo	Alto Bajo			●	●	●
Colors (Colores)	Ropa de color y ligeramente sucia	Frío/ Frío	Medio	Normal					
		Templado/Frío Templado/Templado	Alto Muy alto Sin centrifugado Bajo	Alto Bajo			●	●	●
Express Wash (Lavado expreso)	Ropa ligeramente sucia y cargas	Templado/Templado	Medio	Bajo					
		Frío/ Frío Templado/Frío	Alto Muy alto Sin centrifugado Bajo	Normal Alto			●	●	●
Handwash/Wool (Lavado a mano/Lana)	Prendas con la etiqueta "lavar a mano"	Templado/Frío	Bajo	Bajo					
		Frío/ Frío	Medio Sin centrifugado	Normal Alto			●	●	●
Delicates (Artículos delicados)	Camisas de etiqueta/ blusas, prendas de nylon, muy finas o de encaje	Frío/ Frío	Bajo	Bajo					
		Templado/Frío Templado/Templado	Medio Sin centrifugado	Normal Alto			●	●	●

NOTA: La lavadora ajusta automáticamente el tiempo de lavado para la cantidad de ropa, la presión del agua, el tiempo de calentamiento del agua y cualquier otro estado operativo

CÓMO USAR

CLASIFICACIÓN DE LAS CARGAS DE LAVADO

PRECAUCIÓN:

- No llevar objetos en la bañera. El incumplimiento de esta advertencia puede resultar en pérdida o daño a los tejidos.
- Use el ciclo de voluminosos / ropa de cama para flotantes o no absorbentes, como una almohada o una manta. El incumplimiento de esta advertencia puede provocar fugas.

Etiquetas de cuidado de las telas

La mayoría de las prendas de vestir disponen de una etiqueta. Usando el cuadro expuesto a continuación, ajuste el ciclo y opciones para tratar sus prendas según las recomendaciones proporcionadas por el fabricante.

Etiquetas acerca del cuidado de las prendas

Ciclo de lavado	 Normal	 Resistente a las arrugas	 Delicada
Temperatura	 lavado a mano	 no lave	 No escurrir
	 Caliente	 Templado	 Frio
Blanqueador	 Cualquier blanqueador (Cuando sea necesario)	 Sólo no cloro blanqueador (Cuando sea necesario)	 No blanqueador

Agrupamiento de prendas similares

Para mejores resultados de lavado y para reducir la posibilidad de daños a la ropa, debe prestarse atención y clasificar la ropa de las distintas cargas con artículos similares. Mezclar diferentes tipos de tela y/o niveles de suciedad puede generar un mal desempeño de lavado, la transferencia de colores o decoloración, daños a las telas o la creación de pelusas. Las telas deben separarse en grupos como se indica a continuación.

Colores

Separe los artículos por su color. Lave las prendas oscuras en una carga separada y las blancas o claras en otra. Mezclar prendas oscuras con prendas claras puede provocar la transferencia de color o la decoloración de las prendas más claras.

Nivel de suciedad

Lave las prendas muy sucias en una misma carga. Lavar prendas poco sucias en la misma carga con prendas muy sucias puede provocar un desempeño de lavado pobre para las prendas poco sucias.

Tipo de tela

Las prendas delicadas no deben mezclarse con tipos de telas más gruesas o resistentes. Lavar prendas delicadas junto a telas gruesas puede provocar daños a las telas más delicadas. Lavar telas gruesas con una carga de telas delicadas puede provocar un desempeño de lavado pobre para las telas gruesas y posibles daños a las delicadas.

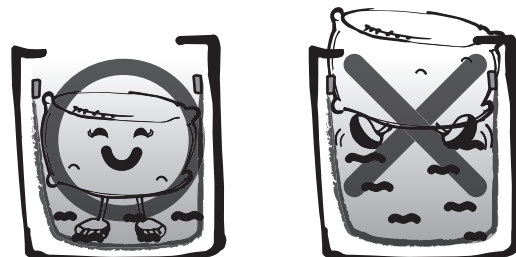
Tipo de pelusa

Algunas telas atraen pelusas mientras que otras las liberan en el proceso de lavado. Evite mezclar las prendas recolectoras de pelusas y las que las producen en la misma carga. Mezclar estas telas provocará que las prendas que recolectan pelusa hagan "bolitas" y se peguen pelusas a las mismas. (Por ejemplo, recolector de pelusas: pulóver tejido; productor de pelusas: toallas gruesas)

Carga de la lavadora

- Revise todos los bolsillos para asegurarse de que estén vacíos. Artículos como clips, cerillos, plumas, monedas y llaves pueden dañar su lavadora o sus prendas.
- Cierre las cremalleras, ganchos y cordones para prevenir que estos artículos se enganchen o enreden en otras prendas.
- Trate previamente las áreas muy manchadas para obtener los mejores resultados.
- Las prendas grandes no deberán ser más de la mitad de la carga de lavado total.
- Se puede cargar la lavadora completamente, pero el tambor no puede quedar colmado de prendas. La compuerta de la lavadora deberá cerrar con facilidad.
- Para prevenir una carga fuera de balance, no lave prendas solas. Añada una o das prendas similares a la carga. Las prendas grandes, que requieren mucho espacio, tales como sábanas, cubrecamas o colchas se deben lavar individualmente.
- No lave ni centrifugue las prendas impermeables.
- No lave prendas que contengan materiales inflamables (ceras, productos de limpieza, etc.)
- La lavadora no iniciará ningún proceso mientras la cubierta esté abierta.

IMPORTANTE: Use el ciclo de artículos voluminosos/ropa de cama(Bulky/Bedding) para estos artículos. Estos elementos pueden no ser tan absorbentes como otras prendas de colada y deben colocarse en una carga de lavado independiente para obtener unos óptimos resultados.



La lavadora determinará automáticamente el tamaño de la carga. Coloque siempre elementos flotantes en el parte inferior de la cesta de lavado.

Debido al sistema de lavado de alto rendimiento, el nivel de agua no cubrirá completamente la carga.

Clasificación de la ropa a lavar...

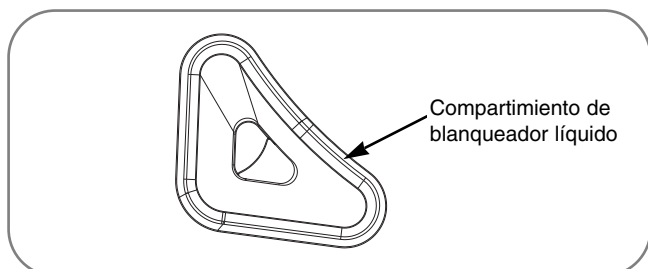
por color:	por suciedad:	por tela:	con/sin pelusa:
Ropa blanca	Alto	Delicada	Desprende pelusa
Ropa clara	Normal	Easy Care	Capta pelusa
Ropa oscura	Bajo	Resistente	

CÓMO USAR

DETALLES SOBRE EL DEPÓSITO

El cajón de suministro automático consiste en 2 compartimentos que almacenan:

- Suavizante líquido de telas
- Detergente líquido o en polvo para el lavado principal.



Compartimiento principal del lavado con detergente

Este compartimento tiene detergente para el ciclo de lavado principal, que se añade a la carga en el inicio del ciclo. Utilice siempre detergente HE (alta eficiencia) en su lavadora. Nunca exceda las recomendaciones del fabricante al añadir el detergente. El uso de demasiado detergente puede dar lugar a la acumulación de detergente en la ropa y en la lavadora. Puede ser utilizado cualquier detergente en polvo o líquido.

- Cuando se use detergente líquido, asegúrese de que la taza de detergente líquido y pieza de inserción en su lugar. No exceda la línea de llenado máximo.
- Cuando se utiliza un detergente en polvo, quite la pieza de inserción y retire la taza de detergente líquido del compartimento. El detergente en polvo no se dispensará con la taza del detergente líquido y la pieza de inserción en su lugar.

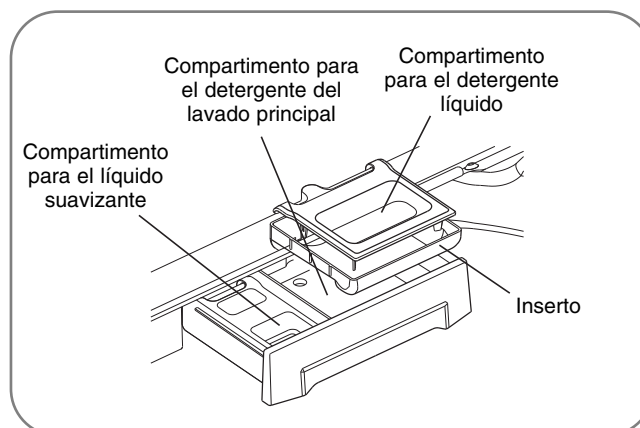
Compartimiento del suavizante

Este compartimento alberga el suavizante líquido de telas, que se suministrará automáticamente durante el ciclo de enjuague final.

Nunca supere las recomendaciones del fabricante cuando agregue suavizante. Utilizar demasiado suavizante puede provocar una acumulación en las prendas y en la lavadora. Puede utilizarse suavizante para telas en polvo o líquido.

- Siga siempre las recomendaciones del fabricante cuando agregue suavizante. No exceda la línea de llenado máxima. Usar demasiado suavizante puede causar que las telas se manchen.
- Diluya los suavizadores de tela concentrados junto con agua caliente. No exceda la línea de llenado máxima.
- Nunca agregue suavizador de tela directamente en la carga o en el tambor.

NOTA: El ciclo NORMAL/CASUAL y el ciclo HEAVY DUTY utilizan un aclarado JET SPRAY especial para ahorrar agua. Si se va a utilizar suavizante con cualquiera de estos ciclos, deberá seleccionarse la opción FABRIC SOFTENER (suavizante) o EXTRA RINSE (aclarado extra). Cualquiera de las opciones hará que el ciclo finalice con una señal acústica en vez del aclarado con pulverización. Si no se selecciona ninguna opción, se reducirá el rendimiento del suavizante.



Compartimiento de blanqueador líquido

El dispensador de lejía es un compartimento aparte situado en el frente izquierdo de la abertura de la cuba. Utilice este compartimento para dispensar la lejía en el momento adecuado del ciclo de lavado.

- No agregue blanqueador a prueba de decoloramiento líquido o en polvo a este compartimento. El compartimento del blanqueador está diseñado para distribuir blanqueador de cloro líquido únicamente. Los blanqueadores en polvo o líquidos a prueba de colores no se distribuirán de forma apropiada.
- Siga siempre las recomendaciones del fabricante cuando agregue blanqueador. No supere la línea de llenado máximo ya que el blanqueador podría derramarse inmediatamente provocando daños a las telas. Usar demasiado blanqueador puede dañar las telas.
- Nunca descargue blanqueador líquido no diluido directamente en la carga o en el tambor. Puede dañar las telas.

⚠ ADVERTENCIA

No mezclar el blanqueador clorado con amoníaco o ácidos como vinagre u otros productos para eliminar el óxido y otro tipo de suciedades.

Mezclar productos químicos como estos puede producir gas que podría causar la muerte.

Añada en el dispensador del blanqueador la cantidad de blanqueador clorado líquido y sin diluir recomendado por el fabricante.

Durante la parte final del ciclo de lavado, el blanqueador saldrá completamente del dispensador en dos pasos sucesivos aplicándose a la ropa, con un aclarado final del dispensador para evitar que queden restos y afecten a lavados sucesivos.

El líquido que queda en el dispensador al final del ciclo es agua, no blanqueador.

Para evitar la salida no intencionada de blanqueador, nunca añada más producto del indicado en el nivel máximo del dispensador.

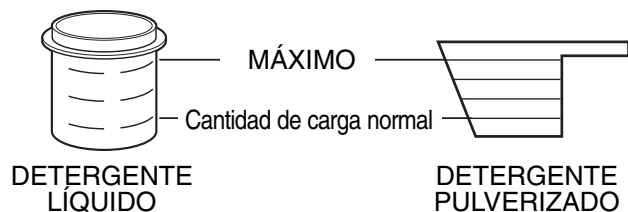
CÓMO USAR

USO DEL DETERGENTE Y EL DISPENSADOR

Información Sobre Detergentes

Los detergentes de alta eficiencia producen menos espuma, se disuelven más eficientemente para mejorar el desempeño de lavado y enjuague, y ayudan a mantener limpio el interior de su lavadora.

Utilizar un detergente que no sea HE puede provocar una espuma excesiva y un desempeño poco satisfactorio que



Para conseguir un rendimiento de lavado correcto, mida siempre el detergente según las indicaciones del fabricante.

La cantidad normal necesaria para cargas promedio es menos de 1/2 del máximo recomendando. Use menos detergente para agua blanda, poca suciedad o cargas pequeñas. Nunca use más de la cantidad máxima recomendada por el fabricante detergente.



Diseñada para usar con el detergente tipo HE (Alta eficiencia)

IMPORTANTE: Su lavadora está diseñada para usarse exclusivamente con detergentes de alta eficiencia (HE). Los detergentes de alta eficiencia están formulados específicamente para las lavadoras de carga frontal y contienen agentes reductores de espuma. Busque siempre el símbolo de alta eficiencia (HE) cuando compra detergente.

IMPORTANTE: No todos los detergentes son iguales. Debe prestarse especial atención a la cantidad de detergente utilizado para evitar la formación excesiva de espuma, un enjuague inadecuado y la acumulación de detergente en las prendas, y la acumulación de residuos que puede generar olores en la máquina. **NUNCA** use una taza o medidor que no haya sido suministrado por el fabricante del detergente que esté usando.

Nunca use más de la cantidad máxima recomendada por el fabricante del detergente. Mientras que los detergentes HE se encuentran diseñados para este tipo de lavadora, debe tenerse cuidado al medir el detergente. Para la mayor parte de las cargas normales, debe usarse no más de 1/2 a 3/4 de taza o medidor de detergente HE.

NOTA: Debe tenerse especial cuidado cuando se utilicen detergentes concentrados en 2X y 3X porque sólo un poco más puede generar los problemas mencionados con anterioridad.

NOTA: Los detergentes designados como HECOMPATIBLE pueden no brindar resultados óptimos.

Cómo llenar el distribuidor

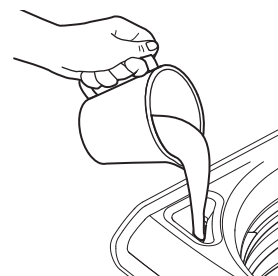
Para añadir detergente, blanqueador, y suavizante al cajón de suministro automático:

- 1 Abra el cajón de depósito.
- 2 Cargue los productos de lavado en los compartimientos adecuados.
- 3 Cierre el cajón antes de iniciar el ciclo.

NOTA: Es normal que quede un poco de agua en los compartimientos de blanqueador y suavizante al final del ciclo.
IMPORTANTE: No coloque o almacene productos de lavado como detergente, blanqueador o suavizante líquido en la parte superior de su lavadora o secadora. Limpie inmediatamente cualquier derrame. Estos productos pueden dañar el acabado y los controles.

Uso de la lejía líquida en el dispensador

El dispensador de cloro automáticamente diluye y distribuye cloro líquido en el momento adecuado en el ciclo de lavado.



- 1 Compruebe las instrucciones especiales de las etiquetas de cuidado de ropa.
- 2 Mida el cloro líquido con cuidado, siguiendo las instrucciones de la botella
 - Nunca vierta cloro puro líquido directamente sobre la ropa o en la canasta de lavado.
 - No verter cloro en polvo en el dispensador de cloro. No coloque objetos sobre el dispensador de lejía al cargar o descargar la lavadora.
 - Evite llenar demasiado o salpicaduras cuando se agrega cloro para el depósito. La capacidad máxima del dispensador de lejía es una taza por ciclo de lavado. Si lo llena demasiado, la lavadora podría liberar la lejía antes del momento adecuado por ciclo de lavado.
- 3 Antes de iniciar el lavado, vierta la cantidad medida de cloro directamente en el dispensador de cloro. Si usted prefiere usar cloro en polvo, añádalo al cesto de lavado directamente antes de agregar la ropa.

NOTA: Enjuague el dispensador de lejía con agua tras el uso y enjuague los residuos utilizando el ciclo Rinse & Spin (Enjuagado y Centrifugado).

CÓMO USAR

LA PANTALLA DE TIEMPO Y ESTADO

El display de tiempo y estado muestra el tiempo aproximado restante y el progreso del ciclo.



A TIEMPO RESTANTE ESTIMADO

Cuando se aprieta el botón START/PAUSE (INICIO/PAUSA), la lavadora detecta automáticamente la carga de lavado (peso) y optimiza el tiempo de lavado, en base al ciclo y las opciones seleccionados. Luego la pantalla indicará el tiempo restante estimado para dicho ciclo.

NOTA:

- El tiempo exhibido es estimado. Por ejemplo, el tiempo exhibido se puede pausar durante un período mientras la máquina está calentando el agua o equilibrando la carga. Bajo ciertas condiciones, la máquina se puede pausar por períodos de tiempo prolongados.
- El tiempo estimado está basado en condiciones de funcionamiento normal. Varios factores externos (temperatura del ambiente, temperatura del agua que entra, etc.) también pueden afectar la duración del tiempo estimado en relación al tiempo real del lavado.

B INDICADOR DE ESTADO DEL CICLO

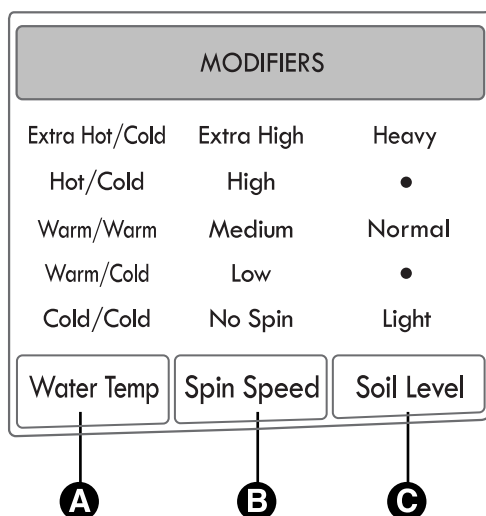
Éstos LEDs de estado se iluminan para indicar la parte del ciclo en ejecución. Una luz parpadeando indica la parte activa del ciclo. Al completarse dicha parte, la luz permanecerá fija.

CÓMO USAR

BOTONES MODIFICADORES DE CICLO

Cada ciclo tiene ajustes preprogramables que se seleccionan automáticamente. Usted también puede personalizar estas configuraciones utilizando los botones modificadores de ciclo. Presione el botón para la modificación deseada hasta que se encienda la luz indicadora del valor deseado. La lavadora ajusta automáticamente el nivel de agua según el tipo y tamaño de la carga de lavado para proporcionar los mejores resultados y eficiencia máxima. Debido a la naturaleza altamente eficaz de este producto, es posible que los niveles de agua sean más bajos de lo esperado. El funcionamiento normal y la limpieza/enjuague no se verán comprometidos.

NOTA: Para proteger sus prendas de vestir, no todas las temperaturas de Wash/Rinse (lavado/enjuague), Spin Speed (velocidad de centrifugado), Soil Level (nivel de suciedad) y opciones están disponibles en cada ciclo. Si no es posible seleccionar una opción determinada, se emitirá una alarma sonora y el indicador LED no se encenderá. Vea la Guía en página 45 de ciclos para obtener más detalles.



A WATER TEMP (Temperatura del agua)

Selecciona la combinación de temperatura de lavado y enjuague para el ciclo seleccionado. Apriete el botón WASH/RINSE (lavado/enjuague) hasta que la luz que indica el ajuste deseado se encienda.

- Su lavadora contiene un elemento de calentamiento que propulsa la temperatura del agua caliente para ajustes extra calientes (Extra Hot). Esto brinda un desempeño de lavado mejorado que con los ajustes de calefactor de agua normales.
- Seleccione la temperatura de agua adecuada para el tipo de carga que se encuentra lavando. Para mejores resultados, siga las etiquetas de cuidado de las prendas.
- Los enjuagues tibios se regulan en aproximadamente 86°F (30°C).
- Los enjuagues tibios dejan las prendas más secas que los enjuagues fríos, pero elevarán el consumo de energía y las prendas se arrugarán más.
- Los enjuagues fríos utilizan menos energía. La temperatura de enjuague real depende de la temperatura del agua fría del grifo.
- En ambientes fríos, los enjuagues con agua templada hacen que la ropa se manipule con mayor comodidad.
- Para obtener unos resultados óptimos utilice agua caliente y fría.

B SPIN SPEED (velocidad de centrifugado)

Las velocidades de centrifugado más altas extraen más agua de las prendas, reduciendo el tiempo de secado y ahorrando energía.

Apriete el botón SPIN SPEED (velocidad de centrifugado) hasta que la luz que indica el ajuste deseado se encienda. Algunas telas, como las delicadas, requieren una velocidad de centrifugado más lenta.

C SOIL LEVEL (nivel de suciedad)

Ajusta el ciclo seleccionado para permitir más tiempo de lavado para prendas muy sucias o menos tiempo para prendas levemente sucias.

Presione el botón SOIL LEVEL (nivel de suciedad) hasta que la luz que indica el ajuste deseado se encienda.

CÓMO USAR

BOTONES DE OPCIÓN DE CICLO

Su lavadora dispone de varias opciones de ciclo adicionales, las cuales personalizan los ciclos para cumplir con sus necesidades individuales.

- 1 Encienda la lavadora y gire la perilla selectora de ciclos para seleccionar el ciclo deseado.
- 2 Utilice los botones modificadores de ciclo para ajustar las configuraciones para ese ciclo.
- 3 Apriete el(los) botón(es) de opción de ciclo para la opción que desea añadir. El botón LED se encenderá cuando se selecciona esa opción. Si la opción seleccionada no se permite para el ciclo seleccionado, la alarma sonará dos veces para informar que no está permitida.
- 4 Apriete el botón START/PAUSE (INICIO/PAUSA) para iniciar el ciclo. La lavadora se iniciará automáticamente después de un breve período para

NOTA: Para proteger sus prendas, no todas las opciones están disponibles para todos los ciclos. Vea la Guía de ciclos para obtener más detalles.

NOTA: Si no pulsa el botón START/PAUSE (INICIO/PAUSA) tras 4 minutos, se desactivará el control y los cambios se perderán.

STAIN TREAT (TRATAMIENTO DE MANCHA)

Stain Treat

Utilice esta opción para el lavado de cargas con múltiples tipos de suciedad. Con esta opción, la temperatura del

agua aumenta en tres pasos para optimizar el rendimiento de la limpieza. Durante el paso final del lavado, el agua se calienta y se mantiene en su temperatura más alta para ese ciclo durante 10 minutos.

NOTA: Los mejores resultados se obtienen con cargas más pequeñas (menos de 3 kg(6 lbs)).

SAVE ENERGY

Save Energy

Esta opción ahorra energía con la utilización de temperaturas más bajas y diferentes operaciones para ayudar a

mantener el rendimiento de la lavadora, al tiempo que se reduce el consumo de energía.

SAVE ENERGY (ahorrar energía) + solo está disponible para los siguientes ciclos y ajustes:

- Ciclo NORMAL/CASUAL con temperatura de agua CALIENTE/FRÍA
- Ciclo NORMAL/CASUAL con temperatura de agua TEMPLADA/FRÍA
- Ciclo HEAVY DUTY (carga pesada) con temperatura de agua CALIENTE/FRÍA

EXTRA RINSE (ENJUAGUE ADICIONAL)

Extra Rinse
Water Plus

Esta opción añadirá un ciclo de enjuague adicional al ciclo seleccionado. Utilice esta opción para ayudar en la eliminación de los restos de detergente o blanqueador de las prendas. Pulse el botón EXTRA RINSE (aclorado adicional) una o dos veces para seleccionar uno o dos remojes adicionales. El LED permanecerá iluminado. El LED permanecerá encendido para uno o dos remojes adicionales.

- 1 Pulse el botón de encendido/apagado para encender la lavadora.
- 2 Gire el botón de selección de ciclo para elegir el ciclo deseado.
- 3 Pulse los botones de modificación de ciclo para cambiar los ajustes deseados.
- 4 Pulse el botón EXTRA RINSE (aclorado adicional) una o dos veces para seleccionar uno o dos remojes adicionales. El LED permanecerá iluminado.
 - Si quiere eliminar el enjuague adicional, pulse el botón de ENJUAGUE ADICIONAL tres veces.
- 5 Pulse el botón de INICIO/PAUSA para iniciar el ciclo.

NOTA: No puede seleccionar la opción EXTRA RINSE durante el ciclo de DRAIN AND SPIN (Desaguar y centrifugar).

WATER PLUS (MÁS AGUA)

Extra Rinse
Water Plus

Seleccione esta opción para añadir más agua a los ciclos de lavado y aclarado para obtener unos resultados óptimos, sobre

todo con las prendas grandes y voluminosas. Pulse durante 3 segundos el botón de ENJUAGUE ADICIONAL para activar o desactivar MÁS AGUA. Cuando se selecciona WATER PLUS, parpadea el LED.

- 1 Pulse el botón de INICIO/PAUSA durante el ciclo de lavado o aclarado.(No está disponible en el ciclo de centrifugado)
- 2 Presione y sostenga ENJUAGUE ADICIONAL.
- 3 Pulse el botón de INICIO/PAUSA para iniciar el ciclo.
- 4 Si quiere utilizar adicionalmente la opción MÁS AGUA, repita los pasos 1 a 3.

NOTA: Si la lavadora alcanza el nivel máximo de agua, aunque pulsemos el botón MAS AGUA, éste no funcionará.

CLEAN WASHER (LIMPIEZA DE LA LAVADORA)

Clean Washer

Puede ocurrir la acumulación de residuos de detergente en el lavadero después de algún tiempo, lo que puede

causar un olor a humedad o moho. El ciclo CLEAN WASHER (limpieza de la lavadora) está específicamente diseñado para eliminar estas acumulaciones usando lejía u otro limpiador formulado específicamente para la limpieza de lavadoras de carga frontal.

El ciclo de CLEAN WASHER (limpieza de la lavadora) se debe activar una vez por mes, o con mayor frecuencia bajo condiciones de uso difíciles o si aparecen olores. Consulte una descripción completa en la página 53.

AÑADIR UNA PRENDA

Add A Garment
Chime

La luz ADD A GARMENT (añadir una prenda) se iluminará durante la primera parte del ciclo de lavado para indicar que se puede hacer una pausa en el ciclo y añadir más prendas. No es necesario pulsar el botón, porque la luz es controlada por la lavadora. (Véase SEÑAL ACÚSTICA más adelante.) Cuando se apaga la luz ADD A GARMENT (añadir una prenda), no se podrán añadir prendas adicionales a la carga. Hacerlo podría afectar al resultado del lavado, porque la lavadora no se compensará para las prendas adicionales añadidas.

- 1 Pulse el botón START/PAUSE para poner la lavadora en pausa.
- 2 Abra la puerta cuando se haya desbloqueado.
- 3 Añada las prendas adicionales.
- 4 Cierre la puerta.
- 5 Pulse START/PAUSE. El ciclo se reanudará cuando se bloquee la puerta.

CHIME (AVISO SONORO)

Add A Garment
Chime

El volumen de la señal acústica se ajusta con el botón ADD A GARMENT. Pulse el botón para cambiar el ajuste de la señal acústica. La señal acústica sonará con el nuevo volumen cada vez que se pulse el botón. Cuando no se oiga la señal acústica, indica que está desactivada. Los ajustes de volumen son BAJO - ALTO - APAGADO

MY CYCLE (MI CICLO)

My Cycle
PGM Save

MI CICLO le permite guardar un ciclo de lavado personalizado para su utilización posterior. Le permite guardar la temperatura favorita, la velocidad de centrifugado, el nivel de suciedad y otras opciones aplicables a un ciclo que después se activan con sólo pulsar un botón.

NOTA: Solo puede guardar un programa personalizado por vez. Pulse durante varios segundos el botón de MI CICLO para sobrescribir cualquier programa mi ciclo previamente.

Para guardar un mi ciclo:

- 1 Presione el botón de encendido para accionar la lavadora.
- 2 Gire el botón de selección de ciclo para elegir el ciclo deseado.
- 3 Pulse los botones de modificación de ciclo para cambiar los ajustes deseados.
- 4 Pulse el botón de opción de ciclo para cambiar las opciones deseadas.
- 5 Pulse durante aprox. 3 segundos el botón de MI CICLO.

Para acceder a un mi ciclo:

- 1 Presione el botón de encendido para accionar la lavadora.
- 2 Pulse el botón MI CICLO. Se mostrarán los ajustes guardados.
- 3 Pulse el botón de INICIO/PAUSA para iniciar el ciclo.

NOTA: MY CYCLE (mi ciclo) se puede ajustar del mismo modo que cualquier otro ciclo. Sin embargo, cuando se pulsa cualquier otro botón, se apaga el LED para indicar que los ajustes ya no son aquellos del ciclo guardado.

FABRIC SOFTENER (SUAVIZANTE)

Fabric Softener

El suavizante se dispensa en el aclarado final. Seleccione el botón de SUAVIZANTE para cambiar el tipo de aclarado final de aclarado por chorro a aclarado intenso.

NOTA: El ciclo NORMAL/CASUAL y el ciclo HEAVY DUTY utilizan un aclarado JET SPRAY especial para ahorrar agua. Si se va a utilizar suavizante con cualquiera de estos ciclos, deberá seleccionarse la opción FABRIC SOFTENER (suavizante) o EXTRA RINSE (aclarado extra). Cualquiera de las opciones hará que el ciclo finalice con una señal acústica en vez del aclarado con pulverización. Si no se selecciona ninguna opción, se reducirá el rendimiento del suavizante. Aunque se dispensará el suavizante, si no se selecciona la opción el suavizante no tendrá un efecto adecuado.

SOAK (REMOJO)

Soak

Utilice la opción REMOJO para dejar las prendas en remojo y ayudar a eliminar manchas difíciles. Esta opción proporciona un remojo de 180 minutos (máximo) antes de que la lavadora se ponga en funcionamiento en el ciclo seleccionado. Al final del tiempo de remojo, comenzará el ciclo seleccionado utilizando el agua de la cuba.

CÓMO USAR

BOTONES DE OPCIÓN DE CICLO (cont/)

DELAY WASH (RETRASAR LAVADO)



Una vez que haya seleccionado el ciclo y otros ajustes, apriete este botón para demorar el inicio del ciclo de

lavado. Cada vez que se aprieta este botón se aumenta el tiempo de demora en lapsos de 1 hora, hasta 19 horas. Una vez ajustado el tiempo de retardo, pulse el botón START/PAUSE (INICIO/PAUSA) para iniciar el tiempo de retardo.

NOTA: Si no pulsa el botón START/PAUSE (INICIO/PAUSA) tras 4 minutos, se desactivará el control y los cambios se perderán.

DRAIN & SPIN (DESAGUAR Y CENTRIFUGAR)



Utilice esta opción para vaciar el agua de la cuba y hacer el centrifugado de las prendas. Se puede usar, por ejemplo,

si se ha interrumpido el ciclo de lavado a causa de un corte de suministro eléctrico. La velocidad del centrifugado se puede ajustar al tipo de carga.

- 1 Pulse el botón START/PAUSE para encender la lavadora.
- 2 Pulse el botón DRAIN & SPIN (Desagüe y centrifugado)
- 3 Pulse el botón SPIN SPEED (Velocidad de centrifugado) para seleccionar la velocidad de centrifugado deseada.
- 4 Pulse START/PAUSE.

CONTROL LOCK (BLOQUEO DEL CONTROL)



Utilice esta opción para evitar el uso indeseado de la lavadora o para evitar que los ajustes del ciclo se modifiquen

mientras la lavadora está en funcionamiento. Pulse durante 3 segundos el botón de la DESAGUAR Y CENTRIFUGAR para activar o desactivar el BLOQUEO DEL CONTROL. La lavadora se puede bloquear durante un ciclo. Si se ha seleccionado BLOQUEO DEL CONTROL, la pantalla alternará entre CL y el tiempo restante del ciclo. Se desactivarán todos los controles excepto el botón de encendido/apagado y BLOQUEO DEL CONTROL.

NOTA: Los controles permanecen bloqueados, incluso tras la finalización del ciclo, o si se produce un corte de suministro eléctrico. Para desactivar CONTROL LOCK (bloqueo de control), pulse el botón POWER para encender la lavadora, y mantenga pulsado el botón DRAIN & SPIN durante 3 segundos.

FUNCIÓN ESPECIAL DE SEGURIDAD

Esta lavadora está equipada con una función especial para hacerla lo más segura posible. Si la lavadora permanece en pausa o apagada durante unos minutos con agua en la cuba, vaciará automáticamente el agua después de 4 minutos, como medida de seguridad para los niños.

Si la lavadora permanece apagada durante tres minutos con agua en la cuba, se emitirá una alarma sonora para indicarle que la lavadora está a punto de vaciar el agua de la cuba. Puede volver a poner la lavadora en funcionamiento en este momento, si así lo desea.

Si la lavadora permanece en pausa durante 4 minutos, se apagará la pantalla y se perderán todos los ajustes de los ciclos. Tras otros tres minutos, sonará la alarma para indicarle que la lavadora está a punto de vaciar el agua de la cuba. Puede encenderse la lavadora e iniciar otro ciclo, si así se desea.

Si no se toma ninguna acción, se mostrará el código de error "dr" y se vaciará el agua de la cuba. Cuando la lavadora comienza a vaciar el agua, los controles se desactivan y no se puede interrumpir el proceso de desagüe. Cuando se ha vaciado el agua completamente, la lavadora se apaga.

NOTA: En el caso poco probable de que se produzca un error en la lavadora que haga que se visualice un código de error, la lavadora volverá a emitir la señal acústica después de tres minutos y realizará el vaciado después de 4 minutos. Sin embargo, sólo se mostrará el código de error original.

CARE AND CLEANING



ADVERTENCIA: Para reducir el riesgo de incendio, choque eléctrico o lesiones físicas, lea y cumpla completamente este manual, incluyendo las instrucciones importantes de seguridad, antes de poner en funcionamiento esta lavadora.

- **Desenchufe la lavadora antes de limpiar la misma para evitar el riesgo de descargas eléctricas.** Si no se cumple con esta advertencia se podrán producir heridas graves, incendios, descargas eléctricas o muerte.
- **Al limpiar la lavadora nunca utilice químicos de corte, limpiadores abrasivos o solventes.** Los mismos dañarán su aspecto.

LIMPIEZA DEL EXTERIOR

Cleaning the Exterior

El cuidado adecuado de su lavadora puede alargar su vida útil. El exterior de la máquina se puede limpiar con agua tibia y un detergente doméstico suave y no abrasivo. Limpie inmediatamente los derrames con un paño suave y húmedo.

IMPORTANTE: No utilizar alcohol de quemar, disolventes, o productos similares.

Nunca use lana de acero o productos de limpieza abrasivos, ya que pueden dañar la superficie.

Cuidado y limpieza del Interior

Use una toalla o un paño suave para limpiar alrededor de la apertura de puerta de la lavadora y la puerta de vidrio. Elimine siempre los elementos de la lavadora tan pronto como se haya completado el ciclo. Dejar artículos húmedos en la lavadora puede causar arrugas y la transferencia de color y olor.

Esta lavadora tiene un ciclo especial que se utiliza para limpiar la cuba y la cesta. Si se usa con regularidad, este ciclo ayuda a evitar la acumulación de residuos que contribuyen a la aparición de olores.

Lea detenidamente estas instrucciones antes de iniciar el ciclo **CLEAN WASHER** (limpieza de la lavadora).

❶ Abra la puerta y quite la ropa del tambor de lavado.

❷ Abra el cajón dispensador.

❸ Añada cloro líquido o un limpiador de baño. Se pueden utilizar algunos limpiadores en polvo o en pastilla de bañera que se fabrican para este fin.

(**NOTA:** No agregue ningún detergente o suavizante de ropa en el cajón cuando se utiliza LIMPIEZA DE LA LAVADORA.)

- Si usa lejía de cloro líquida, añada lejía de cloro líquida en el compartimento para lejía del dispensador. (**NOTA:** no rebase la línea de llenado máximo y no vierta lejía líquida sin diluir directamente dentro del tambor de lavado).

- Si usa limpiador en polvo, retire el recipiente de detergente líquido y añada limpiador en polvo al compartimento de lavado principal del dispensador.

- Si usa limpiador en pastillas, añada el limpiador en pastillas directamente al tambor de lavado.

(**NOTA:** no añada limpiador en pastillas al dispensador).

❹ Cerrar el cajón y la puerta de la lavadora.

❺ Escoja el programa **CLEAN WASHER** (limpieza de la lavadora) y pulse **START/PAUSE** (INICIO/PAUSA).

NOTA: Se recomienda que LIMPIEZA DE LA LAVADORA debe repetirse cada mes.

Si existe un olor a moho, ejecute LIMPIEZA DE LA LAVADORA durante 3 semanas consecutivas.

Después de que LIMPIEZA DE LA LAVADORA está completado o cuando la lavadora no se usa, deje la puerta abierta a la lavadora para una mejor ventilación y secado del interior de la lavadora.

CUIDADOS Y LIMPIEZA

LIMPIEZA REGULAR (cont/)

El almacenamiento de la lavadora

Si la lavadora no se va a utilizar durante un período prolongado de tiempo y se encuentra en un área que podría estar expuesta a temperaturas de bajo cero:

- 1 Apague el suministro de agua del grifo.
- 2 Desconecte las mangueras de suministro de agua y drene el agua de las mangueras.
- 3 Conecte el cable de alimentación a una toma eléctrica a tierra.
- 4 Agregue 1 galón de anticongelante no tóxico para vehículos recreativos (RV) al tambor vacío de la lavadora. Cierre la puerta.
- 5 Seleccione el ciclo de centrifugado y deje centrifugar la lavadora durante 1 minuto para drenar toda el agua.
NOTA: No se eliminará todo el anticongelante para vehículos recreativos.
- 6 Desconecte el cable de alimentación, seque el interior del tambor con un paño suave, y cierre la puerta.
- 7 Elimine las inserciones del dispensador. Drene el agua que haya quedado en los compartimentos y séquelos.
- 8 Guarde la lavadora en posición vertical.
- 9 Para quitar el anticongelante de la lavadora después de su almacenamiento, ejecute lavadora en un ciclo completo usando detergente. **¡No agregue ropa!**

Extracción de acumulación de cal

Si usted vive en una zona con agua dura, se puede formar cal en los componentes internos de la lavadora.

El uso de un ablandador de agua es recomendable en áreas con agua dura. Si se utiliza un descalcificador, asegúrese de que es apto para su uso en una lavadora, y ejecutar el ciclo de Clean Washer (Limpieza de la lavadora) antes de lavar la ropa.

La acumulación de sarro y otras manchas ser quitados del tambor de acero inoxidable usando un limpiador de acero inoxidable. No use lana de acero ni limpiadores abrasivos, ya que pueden dañar la superficie.

Deje la cubierta abierta

Deje la cubierta abierta una vez haya terminado el ciclo para mantener el tambor limpio.

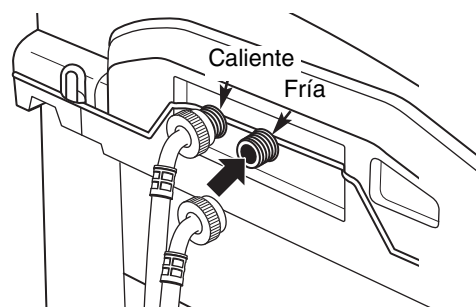
MANTENIMIENTO

Limpieza de los filtros de entrada de agua

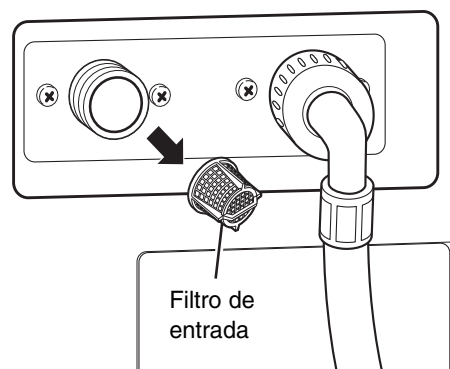
Si la lavadora detecta que el agua no está entrando en el dispensador, un mensaje de error se mostrará en la pantalla. Si usted vive en una zona con agua dura, esto puede ser causado por filtros de entrada obstruida.

Fermez complètement les deux robinets d'eau. Dévissez les tuyaux d'arrivée d'eau chaude et d'eau froide à l'arrière du lave-linge.

IMPORTANTE: Tenga sumo cuidado al retirar y limpiar los filtros. Si los filtros no pueden ser limpiados o están dañados, no ponga en marcha la lavadora sin los filtros de entrada. Contacte con el servicio al cliente de KENMORE o un prestador de servicios cualificado.



IMPORTANTE: Utilice únicamente la entrada de mangueras de KENMORE con este producto de lavandería. Otras marcas de mangueras no están garantizadas para encajar o funcionar correctamente. Otras mangueras pueden no apretarse correctamente y podrían causar fugas. Los daños que afecten al producto o la propiedad no serán cubiertos bajo los términos de la garantía de KENMORE.



Retire con cuidado los filtros de las tomas de agua y remójelos en vinagre blanco o un removedor de cal, siguiendo las instrucciones del fabricante. Enjuáguelos a fondo antes de reinstalarlos.

Ponga los filtros en su lugar y vuelva a conectar las líneas de agua. La lavadora no funciona sin filtros de entrada.

CUIDADOS Y LIMPIEZA

LIMPIEZA DE LA LAVADORA

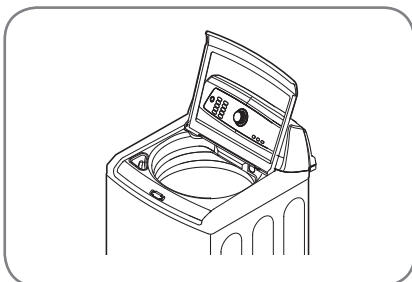
Proper Use of Detergent

Uso correcto de los detergentes Usar demasiado detergente es una causa frecuente de problemas de lavandería. Hoy en día los detergentes están formulados para ser eficaces y sin espuma visible. Asegúrese de leer cuidadosamente y seguir las recomendaciones del fabricante sobre la cantidad de detergente para uso en su lavado.

Puede usar menos detergente si usted tiene agua suave, una carga menor o una carga poco sucia.

NOTA: Use sólo detergente de alta eficacia bajo en espuma, como Tide® HE.

Cuidado y limpieza de la lavadora



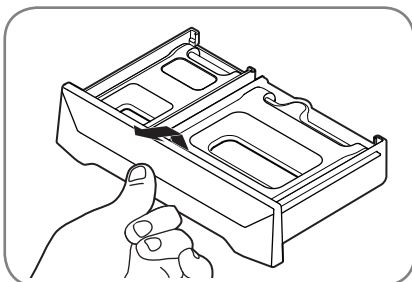
Tapa: Lave con un paño húmedo el exterior y el interior y secar con un paño suave.

Exterior: Limpie inmediatamente cualquier derrame. Límpielo con un paño húmedo. No toque la superficie o la pantalla con objetos afilados.

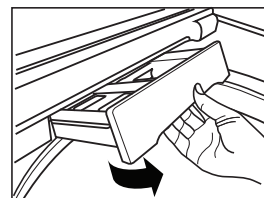
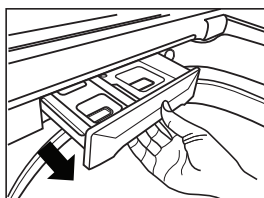
Mudanza y almacenamiento: Solicite al servicio técnico la eliminación del agua de la bomba de desagüe y de las mangueras. No instale ni almacene la lavadora en un lugar en el cual quede expuesta a las condiciones atmosféricas.

Vacaciones largas: Asegúrese de cerrar los grifos de abastecimiento de agua. Escurrir toda el agua de las mangueras si el tiempo está bajo cero.

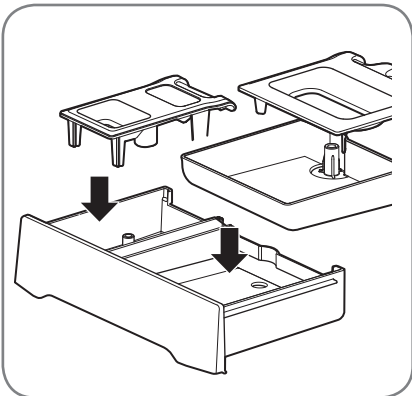
Cajón dispensador: El detergente y el suavizante pueden acumularse en el cajón dispensador. Los residuos deben de ser eliminados una o dos veces al mes.



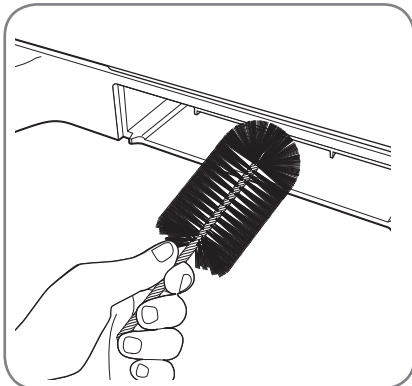
- 1 Retire el cajón tirando de él hacia afuera hasta que se detenga. Levante la parte delantera del cajón y tire de ella.



- 2 Quite las inserciones de los 2 compartimentos; enjuague las inserciones y el cajón con el agua caliente para quitar rastros de productos de lavandería acumulados.



- 3 Para limpiar la apertura del cajón, utilice un pequeño cepillo no metálico para limpiar la cavidad. Quite todos los residuos de la parte superior e inferior de la cavidad.



- 4 Vuelva a colocar los insertos de los compartimentos adecuados y vuelva a colocar el cajón. Ponga el cajón en la abertura en el ángulo mostrado más arriba; a continuación, bájelo y deslícelo a su posición.

RESOLUCIÓN DE PROBLEMAS

RUIDOS NORMALES QUE PUEDE ESCUCHAR

Los siguientes sonidos se pueden escuchar mientras que la lavadora está en funcionamiento. Son normales.

Chasquidos:

- La cerradura de la puerta cuando el relé de la cerradura de la puerta se abre.
- La lavadora hará una serie de chasquidos mientras se cambia el modo de limpieza.

Ruido de alta frecuencia:

La cesta de lavado gira más rápido para quitar la humedad de la carga.

Pulverización o silbidos:

La pulverización de agua o circulación durante el ciclo.

Zumbido o gorgoteo:

La bomba de desagüe de bombeo de agua de la lavadora al final de un ciclo.

Sonido del agua salpicando:

Un líquido en el anillo de equilibrado de todo el tambor de lavado ayuda a la canasta a girar sin problemas. (La lavadora se apaga y el tambor gira.)

Sonido de agua chapoteando durante el centrifugado:

Para lograr mejores resultados de lavado con menos agua, en ocasiones, la cuba centrifuga con agua. Durante los ciclos NORMAL y HEAVY DUTY, este centrifugado hace que el agua vuelva a la cuba, causando un sonido similar a una cascada. Esto es normal, y se puede observar a través de la puerta en ocasiones durante el ciclo.

Sonido de llenado de agua durante un ciclo:


- La lavadora se adapta al tamaño y tipo de carga para añadir más agua en el ciclo, según sea necesario.
- La carga de lavado puede estar desequilibrada. Si la lavadora detecta que la carga está desequilibrada, se parará y rellenará para redistribuir la carga.
- La lavadora puede diluir los aditivos de lavandería para añadirlos a la carga de lavado.

Señal acústica:

La alarma indica que hay un código de error en la pantalla. Consulte en las páginas siguientes una explicación para el código de error mostrado.


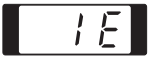



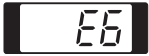
ANTES DE SOLICITAR ASISTENCIA TÉCNICA

Su lavadora está equipada con un sistema de control de error automático para detectar y diagnosticar problemas en una etapa temprana. Si la lavadora no funciona correctamente o no funciona en absoluto, compruebe lo siguiente antes de llamar al servicio técnico.

Problema	Causas posibles	Soluciones
Agitación provocando ruido	<ul style="list-style-type: none"> • Los objetos extraños, tales como llaves, monedas o alfileres de seguridad, puede estar en el tambor o en la bomba. 	<ul style="list-style-type: none"> • Pare la lavadora y compruebe si hay objetos extraños en el tambor o en el filtro de drenaje. Si el ruido continúa después de que se reinicie la lavadora, llame al servicio técnico.
Sonido de golpes	<ul style="list-style-type: none"> • Lavar cargas pesadas puede producir un sonido de golpes. 	<ul style="list-style-type: none"> • Esto es normal. Si el sonido continúa, la lavadora está, probablemente, mal equilibrada. Detener y redistribuir la carga de lavado.
Ruido de vibración	<ul style="list-style-type: none"> • La carga del lavado puede estar distribuida de manera desigual en el tambor. • No todos los pies de nivelación descansan firmemente en el suelo. • Suelo insuficientemente rígido. 	<ul style="list-style-type: none"> • Pare la lavadora y reorganice la carga de la lavado. • Ajuste las patas de nivelación. Asegúrese de que los cuatro pies están firmemente en contacto con el suelo, mientras que la lavadora está en el ciclo de centrifugado, con una carga. • Asegúrese de que el suelo es sólido e inflexible. Consulte "Suelo" en la sección de instalación.
Filtraciones de agua alrededor de la lavadora	<ul style="list-style-type: none"> • Vuelva a conectar la manguera si se ha soltado del grifo o de la lavadora. • La entrada de las tuberías de drenaje está obstruida. • Artículos de gran tamaño, tales como una almohada y una manta dentro del tambor. 	<ul style="list-style-type: none"> • Comprobar las mangueras. Compruebe y apriete las conexiones de la manguera. • Desatascar el tubo de drenaje. Póngase en contacto con un fontanero si fuera necesario. • Compruebe el ciclo. Si lava artículos grandes, voluminosos utilice el ciclo VOLUMINOS / ROPA DE CAMA. • Pare la lavadora y compruebe la posición de carga. Coloque los objetos voluminosos en la tambor.
Exceso de espuma	<ul style="list-style-type: none"> • Demasiado detergente o detergente incorrecto. 	<ul style="list-style-type: none"> • Reduzca la cantidad de detergente o use detergente de baja espuma. <p> Sólo use detergente con el logotipo HE (alta eficiencia).</p>


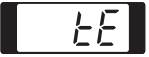

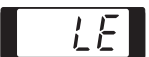
RESOLUCIÓN DE PROBLEMAS

ANTES DE SOLICITAR ASISTENCIA TÉCNICA (cont.)

Problema	Causas posibles	Soluciones
<p>El agua de la lavadora sale lentamente, no sale o en la pantalla se lee:</p> 	<ul style="list-style-type: none"> Filtro de bomba de desagüe atascado. La manguera de desagüe está retorcida, doblada o atascada. Bomba de desagüe llena. 	<ul style="list-style-type: none"> Compruebe y limpie el filtro de la bomba de desagüe. Assurez-vous que le tuyau d'évacuation ne soit pas obstrué, entortillé, etc., et ne soit pas pincé à l'arrière ou sous le lave-linge. Llame a un servicio técnico.
<p>La lavadora se llena de agua lentamente, no se llena o en la pantalla se lee:</p> 	<ul style="list-style-type: none"> Los grifos de suministro de agua no están totalmente abiertos. Las mangueras de la línea de agua están deformadas, pinzadas o dobladas. Los filtros de entrada de agua están obstruidos. La presión de agua al grifo o en casa es insuficiente. 	<ul style="list-style-type: none"> Asegúrese de que los grifos de agua estén completamente abiertos. Asegúrese de que las mangueras no estén deformadas ni pinzadas. Tenga cuidado cuando mueva la lavadora. Limpie los filtros de entrada. Consulte la sección Limpieza y mantenimiento. Compruebe en otra llave de paso de la casa para asegurarse de que la presión del agua es adecuada.
<p>La lavadora no se enciende</p>	<ul style="list-style-type: none"> El cable de alimentación no está conectado correctamente. El fusible está fundido, el disyuntor se ha desconectado o se ha producido un corte de energía. 	<ul style="list-style-type: none"> Asegúrese de que el enchufe esté correctamente puesto a tierra, con una toma de 3 púas, 120 V de CA y 60-Hz. Restablezca el disyuntor o cambie el fusible. No aumente la capacidad del fusible. Si el problema radica en la sobrecarga del circuito, éste deberá ser reparado por un electricista cualificado.
<p>En la pantalla se lee:</p> 	<ul style="list-style-type: none"> La puerta no está cerrada correctamente. 	<ul style="list-style-type: none"> Asegúrese de que la puerta esté bien cerrada y pulse el botón de INICIO/PAUSA. Después de iniciar un ciclo, tarda unos instantes antes de que el tambor empieza a girar o centrifugar. La lavadora no centrifugará a menos que la puerta esté bloqueada. (En la pantalla se leerá BLOQUEAR PUERTA). Si la puerta está cerrada y bloqueada y aún se muestra el mensaje de error por puerta abierta, solicite asistencia técnica. Si pulsa el botón START mientras la tapa esté abierta, aparecerá un mensaje de error.
<p>En la pantalla se lee:</p> 	<ul style="list-style-type: none"> Error del interruptor de bloqueo de puerta 	<ul style="list-style-type: none"> Asegúrese de que la puerta esté bien cerrada y pulse el botón de INICIO/PAUSA. La lavadora no centrifugará a menos que la puerta esté bloqueada (En la pantalla se leerá BLOQUEAR PUERTA). Si la puerta está cerrada y aún se muestra el mensaje de error por bloqueo de puerta, solicite asistencia técnica.
<p>El tiempo del ciclo de lavado es más largo de lo habitual</p>	<ul style="list-style-type: none"> La lavadora ajusta automáticamente el tiempo de lavado según la cantidad de ropa, la presión del agua, su temperatura y otras condiciones operativas. 	<ul style="list-style-type: none"> Esto es normal. La lavadora ajusta el tiempo del ciclo automáticamente para ofrecer unos resultados óptimos en el ciclo seleccionado.
<p>En la pantalla se lee:</p> 	<ul style="list-style-type: none"> El nivel de agua es demasiado alto debido a un fallo en la válvula de agua. 	<ul style="list-style-type: none"> Cierre los grifos de agua, desenchufe la lavadora y solicite asistencia técnica.
<p>En la pantalla se lee:</p> 	<ul style="list-style-type: none"> Error de acople 	<ul style="list-style-type: none"> Débranchez le lave-linge, puis contactez le service d'assistance. Fallo mecánico.

RESOLUCIÓN DE PROBLEMAS

ANTES DE SOLICITAR ASISTENCIA TÉCNICA (cont.)

Problema	Causas posibles	Soluciones
En la pantalla se lee: 	<ul style="list-style-type: none"> • La carga es muy pequeña. • La carga no está equilibrada. 	<ul style="list-style-type: none"> • Añada 1 ó 2 prendas similares para ayudar a equilibrar la carga. • Reorganice las prendas para ayudar a equilibrar la carga. • La lavadora dispone de un sistema de detección de desequilibrio y de corrección. Si se introducen prendas pesadas (como alfombrillas de baño, albornoces, etc.) y el desequilibrio es significativo, la lavadora intentará restablecer el ciclo de centrifugado. Si aún detecta cierto desequilibrio, se detendrá y mostrará en pantalla el código de error.
En la pantalla se lee: 	<ul style="list-style-type: none"> • Error del termistor 	<ul style="list-style-type: none"> • Desenchufe la lavadora y solicite asistencia técnica.
En la pantalla se lee: 	<ul style="list-style-type: none"> • El sensor del nivel de agua no funciona correctamente. 	<ul style="list-style-type: none"> • Cierre los grifos de agua, desenchufe la lavadora y solicite asistencia técnica.
En la pantalla se lee: 	<ul style="list-style-type: none"> • El circuito de protección contra la sobrecarga térmica en el motor se ha desconectado. 	<ul style="list-style-type: none"> • Deje la lavadora en reposo durante 30 minutos para refrigerar el motor y después, reinicie el ciclo. Si el error "LE" sigue apareciendo, desenchufe la lavadora y solicite asistencia técnica.
Aparición de manchas	<ul style="list-style-type: none"> • Añada los productos de lavado en el tambor de la lavadora. • La lavadora no se ha descargado rápidamente. • La ropa no se ha clasificado correctamente. 	<ul style="list-style-type: none"> • Introduzca los productos de lavado en el dispensador. • Saque las prendas de la lavadora tan pronto como finalice el ciclo. • Lave siempre los colores oscuros separados de los claros para evitar que se destiñan. Si es posible, no lave prendas muy sucias con otras que no lo estén tanto.
Aparición de arrugas	<ul style="list-style-type: none"> • La lavadora no se ha descargado con prontitud. • Se ha introducido demasiada ropa. • Se han intercambiado las mangueras de entrada de agua caliente y fría. 	<ul style="list-style-type: none"> • Saque las prendas de la lavadora tan pronto como finalice el ciclo. • La lavadora se puede cargar hasta su capacidad máxima, pero las prendas no deben estar comprimidas en el tambor. La puerta de la lavadora debe cerrarse fácilmente. • El ciclo de lavado en agua caliente puede producir más arrugas en las prendas. Revise las conexiones de la manguera de entrada.

NOTA: Si un mensaje de error permanece durante 4 minutos, el agua del tambor se vaciará automáticamente. La alarma sonará durante 1 minuto antes del desagüe y se seguirá mostrando el código de error original.

RESOLUCIÓN DE PROBLEMAS

ANTES DE SOLICITAR ASISTENCIA TÉCNICA (cont.)

Problema	Causas posibles	Soluciones
La lavadora no funciona	• Panel de control está dormido	• Esto es normal. Pulse ENCENDIDO.
	• La lavadora está desenchufado	• Asegúrese que la cuerda está bien tapada en una salida en funcionamiento.
	• El suministro de agua está apagado	• Gire totalmente abiertos tanto grifos calientes como fríos.
	• Los controles no se establecen correctamente	• Asegúrese de que el ciclo se ha establecido correctamente, cierre la tapa y pulse INICIAR.
	• La tapa está abierta, la característica de seguridad impide que la carga de la lavadora y la operación con la tapa abierta	• Cierre la tapa y restablezca el ciclo, hasta el comienzo si fuera necesario.
	• El cortocircuito/fusible se ha accionado / estropeado	• Compruebe los cortacircuitos / fusibles de casa. Sustituya fusibles o reajuste el interruptor. La lavadora debe tener un circuito dedicado.
	• La electrónica tiene que ser reajustada	• Pulse el botón POWER, vuelva a seleccionar el ciclo deseado y pulse START/PAUSE.
	• INICIAR no ha sido presionado después de que se haya establecido el ciclo	• Pulse el botón POWER, vuelva a seleccionar el ciclo deseado y pulse START/PAUSE.
	• Baja presión de agua extrema	• Revise otra llave en el hogar para asegurar que la presión de agua del hogar es adecuada.
• La lavadora está demasiado fría	• Si la lavadora ha sido expuesta a temperaturas bajo cero durante un período prolongado de tiempo, permita que se caliente antes de presionar ENCENDIDO. De lo contrario, la pantalla no se encenderá.	
La lavadora no se llena con propiedad	• Filtro obstruido o las mangueras de llenado pueden estar dobladas	• Assurez-vous que les filtres (les filtres bleu et orange ne doivent pas être encrassés) de l'appareil ne sont pas obstrués. Fermez les robinets d'eau et vérifiez les filtres en retirant les tuyaux d'arrivée d'eau de la machine. Consultez les instructions de nettoyage du filtre en la página 54. Vérifiez que les tuyaux d'arrivée d'eau ne sont pas entortillés ou obstrués.
	• Eficiencia energética	• Se trata de una lavadora con eficiencia energética. Por consiguiente, los ajustes de temperatura para esta lavadora pueden ser diferentes de las lavadoras sin eficiencia energética.
	• Abastecimiento de agua insuficiente	• Asegúrese de que el suministro de agua esté abierto. Asegúrese de que los grifos de agua vuelven a sus posiciones completamente abiertos.
	• La tapa de lavadora está abierta	• La tapa de lavadora debe estar cerrada para todas las operaciones del ciclo de lavado. Si la tapa se abre durante el lavado, todas las funciones se detendrán, incluyendo el agua de llenado.
	• La conexión de la manguera es incorrecta	• Asegúrese de que las mangueras conectan el suministro de agua caliente a la entrada caliente de la lavadora, y el suministro de agua fría a la entrada fría de la lavadora (caliente a caliente, frío a frío).
	• Optimización de llenado de agua	• El agua no puede cubrir el nivel superior de la ropa. Esto es normal para esta lavadora de alta eficiencia. El relleno de agua es optimizado por el sistema para mejor rendimiento de lavado.

RESOLUCIÓN DE PROBLEMAS

ANTES DE SOLICITAR ASISTENCIA TÉCNICA (cont.)

ESPAÑOL

Problem	Possible Causes	Solutions
La lavadora no vacía el agua estancada en el tambor.	<ul style="list-style-type: none"> Manguera de drenaje quebrada Desagüe situado a más 8" por encima del suelo 	<ul style="list-style-type: none"> Asegúrese de que la manguera del desagüe no esté doblada. Asegúrese de que la manguera de drenaje no esté más de 96" por encima de la parte inferior de la lavadora.
El agua se escapa en cada carga	<ul style="list-style-type: none"> Las mangueras no están instaladas correctamente 	<ul style="list-style-type: none"> Revise todas las conexiones de las mangueras para asegurarse de que estén apretadas y seguras.
Fugas de agua	<ul style="list-style-type: none"> Uso excesivo de detergente 	<ul style="list-style-type: none"> El uso excesivo puede crear fugas, que pueden ser causadas por el tipo y la cantidad de detergente utilizado. Se recomienda detergente de alta eficiencia. Asegúrese que el detergente y cualquier aditivo son puestos en los recipientes de unión del dosificador. Siga las recomendaciones del fabricante del detergente para la cantidad de detergente, pero trate de usar menos detergente, sobre todo si el acondicionamiento de agua de casa o las unidades emolientes de agua están siendo usados.
Incompleto o ninguna distribución de detergente	<ul style="list-style-type: none"> Los recipientes de detergentes se obstruyeron debido a un relleno incorrecto 	<ul style="list-style-type: none"> Asegúrese que el detergente y los aditivos son puestos en a los recipientes de dosificador correctos. Si se utiliza detergente líquido, asegúrese que la caja del dispensador del detergente líquido está en el recipiente de dosificador. Si se utiliza detergente pulverizado, asegúrese que la caja del dispensador del detergente líquido no está siendo usada. Para todo tipo de detergente, asegúrese siempre de que la caja del dispensador está totalmente cerrada antes de iniciar el ciclo.
	<ul style="list-style-type: none"> Demasiado uso de detergente 	<ul style="list-style-type: none"> Asegúrese de la cantidad sugerida de detergente utilizado por las recomendaciones del fabricante. También puede diluir el detergente con agua en la línea de llenado máximo de la bandeja para evitar obstrucciones. Se recomienda el detergente de alta eficiencia para esta lavadora. <p>NOTA: Utilice siempre la menor cantidad posible de detergente. Las lavadoras de alta eficacia necesitan muy poco detergente para lograr resultados óptimos. El uso de cantidades excesivas de detergente reducirá el rendimiento del lavado y el aclarado.</p>
	<ul style="list-style-type: none"> Abastecimiento de agua insuficiente 	<ul style="list-style-type: none"> Asegúrese de que el suministro de agua esté abierto. Asegúrese de que los grifos de agua vuelven a sus posiciones completamente abiertos.
	<ul style="list-style-type: none"> Residuos normales 	<ul style="list-style-type: none"> Es normal que queden pequeñas cantidades de residuos en los compartimentos del cajetín dispensador. Si se acumulan estos residuos, pueden evitar que se dispensen los productos de forma correcta. Consulte las instrucciones de limpieza de la página 55.
Dosificación prematura de la lejía	<ul style="list-style-type: none"> El recipiente de lejía se llenó para la futura carga 	<ul style="list-style-type: none"> No puede almacenar la lejía en el dosificador para el futuro uso. La lejía se dispensará en cada carga.
	<ul style="list-style-type: none"> Excesivo llenado del recipiente de lejía 	<ul style="list-style-type: none"> El llenado excesivo del recipiente con la lejía puede llevar a la distribución prematura. Hay una línea de llenado máximo indicado en el recipiente de lejía para evitar el llenado excesivo.
Taponamiento de lejía	<ul style="list-style-type: none"> El recipiente de lejía no se encuentra bien colocado. 	<ul style="list-style-type: none"> Asegúrese de que la tapa de la lejía esté bien colocada y trabada en su lugar antes de iniciar el ciclo.
	<ul style="list-style-type: none"> Limpieza insuficiente 	<ul style="list-style-type: none"> Levante la carga del dispensador de lejía y limpie el depósito. Las pelusas u otras suciedades que se acumulan en la parte inferior pueden evitar una correcta distribución de la lejía.
Eliminación pobre de manchas	<ul style="list-style-type: none"> No se seleccionan las opciones adecuadas 	<ul style="list-style-type: none"> La suciedad y las manchas más resistentes pueden necesitar una fuerza de limpieza adicional. Seleccionar PRESOAK (prelavado) o STAIN TREAT (tratamiento de manchas) para aumentar la fuerza de limpieza del ciclo seleccionado.
	<ul style="list-style-type: none"> Limpieza insuficiente 	<ul style="list-style-type: none"> Los artículos que se han lavado previamente puede tener manchas que no se hayan eliminado. Puede ser difícil eliminar estas manchas y quizás sea necesario lavarlas a mano o volver a tratarlas para eliminar las manchas.

GARANTÍA

Garantía Limitada de Kenmore Elite

Si este electrodoméstico fallara debido a un defecto de materiales o mano de obra dentro del año de la fecha de compra, llame al 1-800-4-MY-HOME® para solicitar su reparación gratuita, siempre y cuando se instale, opere o mantenga de acuerdo con todas las instrucciones suministradas con el producto.

Si el motor Direct Drive (estator, rotor, sensor hall) muestra defectos de materiales o mano de obra entre el segundo y décimo año a partir de la fecha de compra, llame al teléfono 1-800-4-MY-HOME® para recibir un motor de repuesto gratis. Después del primer año a partir de la fecha de compra, usted será responsable del costo de la mano de obra para instalar el motor.

Si la cubeta de acero inoxidable tiene defectos de material o mano de obra durante la vida útil de la lavadora, llame al teléfono 1-800-4-MY-HOME® para recibir un tambor de repuesto gratis. Después del primer año a partir de la fecha de compra, usted será responsable del costo de la mano de obra para instalar el motor.

Si este electrodoméstico alguna vez se usa con propósitos que exceden el uso familiar, esta garantía sólo tendrá una validez de 90 días desde la fecha de adquisición.

Esta garantía sólo cubre defectos de material y de mano de obra. Sears NO PAGARÁ:

1. Elementos prescindibles que pueden gastarse debido al uso normal, incluyendo pero sin limitarse a, filtros, correas, bombitas de luz y sacos.
2. Un técnico que capacite al usuario sobre la instalación de producto, operación y mantenimiento correctos.
3. Un técnico que limpie o mantenga este producto.
4. Daños o fallas de este producto si no se instala, opera o mantiene de acuerdo con todas las instrucciones suministradas con el producto.
5. Daños o fallas de este producto como resultado de accidentes, abuso, uso inadecuado o uso diferente para el que fue diseñado.
6. Daños o fallas de este producto provocados por el uso de detergentes, limpiadores, químicos o utensilios diferentes de los recomendados en todas las instrucciones suministradas con el producto.
7. Daños o fallas de piezas o sistemas como resultado de modificaciones sin autorización hechas a este producto.

Descargo de responsabilidad de garantías implícitas; limitación de acciones legales

Las únicas y exclusivas acciones legales del cliente bajo esta garantía limitada serán la reparación del producto como se señala aquí. Las garantías implícitas, incluyendo garantías de comerciabilidad y aptitud para un objetivo particular, se encuentran limitadas a un año o al período más corto permitido por la ley. Sears no será responsable de daños incidentales o resultantes. Algunos estados no permiten la exclusión o limitación de daños o limitaciones incidentales o resultantes, o limitaciones sobre la duración de garantías implícitas o comerciabilidad o aptitud, por lo tanto las limitaciones o exclusiones anteriores pueden no aplicarse en su caso.

Esta garantía podrá aplicarse sólo si este artefacto se utiliza en los EE. UU. o Canadá.

Esta garantía le otorga derechos legales específicos y usted puede contar con otros derechos, que pueden variar de estado a estado.

Sears Brands Management Corporation, Hoffman Estates, IL 60179
Sears Canada, Toronto, Ontario, Canada M5B 2B8

TABLE DES MATIÈRES

MESSAGES DE SÉCURITÉ.....	63
INSTRUCTIONS IMPORTANTES DE SÉCURITÉ.....	63-65
INSTRUCTIONS DE MISE À LA TERRE.....	65
CARACTÉRISTIQUES ET AVANTAGES	
Composantes et pièces principales.....	66
INSTRUCTIONS DE L'INSTALLATION	
Spécifications et dimensions principales.....	67
Choisir le bon Emplacement.....	67
Revêtement de sol.....	67
Espaces.....	67
Déballer le lave-linge.....	68
Raccordement des conduites d'eau.....	69
Raccordement du conduit d'évacuation.....	70
Connexion à l'alimentation électrique.....	70
Mise à niveau du lave-linge.....	71
MODE D'EMPLOI	
Caractéristiques du panneau de commande.....	72
Utilisation du lave-linge.....	73
Guide de cycles.....	74
Triage des brassées.....	75
À propos du distributeur.....	76
Utilisation de la lessive et du distributeur.....	77
L'écran de temps et d'état.....	78
Boutons de modification du cycle.....	79
Boutons d'options de cycle.....	80-82
Fonction spéciale de sécurité.....	82
ENTRETIEN ET NETTOYAGE	
Nettoyage régulier.....	83-84
Entretien.....	84
Nettoyage du lave-linge.....	85
DÉPANNAGE	
Sons normaux pendant le fonctionnement.....	86
Avant de faire appel au service après-vente.....	86-90
GARANTIE	91

ENREGISTREMENT DU PRODUIT

Dans l'espace ci-dessous, inscrivez la date d'achat, le modèle, et le numéro de série de votre produit. Vous trouverez le modèle et le numéro de série imprimés sur une plaque signalétique figurant à l'intérieur de la porte de la machine à laver. Gardez ces informations à portée de main lorsque vous contactez Sears à propos de votre produit.

Modèle _____

Date d'achat _____

Numéro de série _____

Conservez ces instructions et votre reçu de caisse afin de vous y référer ultérieurement.

ACCORDS DE PROTECTION

Prototype d'accord de protection complémentaire

Nous vous félicitons d'avoir effectué cet achat judicieux. Votre nouveau produit Kenmore® est conçu et fabriqué pour assurer des années de fonctionnement fiable. Mais comme tous les produits, il peut exiger occasionnellement une maintenance préventive ou une réparation. Le prototype d'accord de protection complémentaire vous permet d'économiser de l'argent et d'éviter une aggravation. Il vous permet en outre d'allonger la durée de vie de votre nouveau produit.

Voici les termes de l'accord :

- **Les pièces et main-d'oeuvre** nécessaires au bon fonctionnement de l'appareil **dans des conditions normales d'utilisation**. Notre couverture s'étend **bien au-delà de la garantie du produit**. Aucune franchise, ni panne de fonctionnement n'est exclue de la couverture - **une vraie protection**.
- **Un service d'experts représenté** par une équipe de plus de 10 000 **techniciens de maintenance Sears** autorisés, ce qui signifie que ce sont des personnes de confiance.
- **Un service d'assistance illimité et un service national**, aussi souvent que vous en avez besoin.
- **La garantie satisfait ou remboursé** – remplacement de votre produit sous garantie si le nombre de pannes survenues sur un an est supérieur à quatre.
- **Le remplacement du produit** si votre produit sous garantie ne peut pas être réparé.
- **La vérification annuelle de maintenance préventive** à votre demande - sans frais supplémentaires.
- **Une assistance rapide par téléphone** – nous l'appelons la Résolution rapide. L'assistance téléphonique d'un représentant de Sears pour l'ensemble des produits. Considérez-nous comme un « manuel d'utilisation parlant ».
- **Une protection contre les surtensions** pour protéger contre les dommages électriques dus aux fluctuations électriques.
- **Une protection annuelle de 250\$ contre la perte d'aliments** pour toute altération des aliments résultant d'une défaillance mécanique d'un réfrigérateur ou d'un congélateur sous garantie.
- **Remboursement de location** si la réparation de votre produit sous garantie est plus longue que prévue.
- **Une remise de 10 %** sur le tarif standard de tout service de réparation non couvert et pièces installées associées.

Dès que vous acceptez ce contrat, un simple appel téléphonique vous permet de programmer une intervention de maintenance. Vous pouvez appeler jour et nuit quelle que soit l'heure, ou convenir d'un rendez-vous un rendez-vous de maintenance en ligne.

Le Prototype d'accord de protection complémentaire est un achat sans risque. Si vous décidez de l'annuler, quel que soit le motif, durant la période de garantie du produit, nous vous rembourserons en intégralité, ou proportionnellement à la durée suivant l'expiration de la période de garantie du produit. Souscrivez dès aujourd'hui au prototype d'accord de protection complémentaire !

Certaines limites et exclusions s'appliquent.

Pour connaître les tarifs et obtenir plus d'informations pour les États-Unis, appelez le 1-800-827-6655.

***La garantie au Canada varie en fonction des articles.**

Pour plus de détails, appelez Sears Canada au 1-800-361-6665.

Service d'installation Sears

Pour l'installation professionnelle Sears d'appareils électroménagers, de télécommandes de garage, de chauffe-eaux, et autres appareils domestiques aux États-Unis ou au Canada, appelez le 1-800-4-MY-HOME®.

SAFETY MESSAGES

Ce manuel contient de nombreux messages relatifs à la sécurité et à votre appareil. Lisez toujours et suivez toujours toutes les instructions relatives à votre sécurité.



C'est le symbole d'alerte à la sécurité.

Ce symbole vous avertit des risques potentiels pouvant entraîner des dommages matériels et/ou des blessures corporelles graves ou même la mort.

Tous les messages relatifs à la sécurité suivent le symbole d'alerte à la sécurité et le mot DANGER ou AVERTISSEMENT.

Voici la signification des termes ci-dessous :

DANGER

Le non-respect des instructions de sécurité peut entraîner des dommages matériels et/ou des blessures corporelles graves ou même la mort.

AVERTISSEMENT

Le non-respect des instructions de sécurité peut entraîner des dommages matériels et/ou des blessures corporelles graves ou même la mort.

Tous les messages relatifs à la sécurité vous diront la nature du danger potentiel, comment réduire le risque de blessure et les conséquences si vous ne suivez pas les instructions.

INSTRUCTIONS IMPORTANTES DE SÉCURITÉ

AVERTISSEMENT

Pour réduire les risques d'incendie, de choc électrique, ou des blessures corporelles en utilisant des appareils électroménagers, vous devez toujours suivre les précautions de base, y compris ce qui suit.

- Avant de l'utiliser, la machine à laver doit être installée correctement conformément aux instructions figurant dans ce manuel.
- Ne lavez aucun article qui aurait précédemment été nettoyé, lavé ou trempé dans de l'essence, des solvants pour nettoyage à sec ou toute autre substance inflammable ou explosive non plus que tout article qui présenterait des taches de ces substances car les vapeurs qui s'en dégagent pourraient s'enflammer ou exploser.
- N'ajoutez aucune essence, solvants pour nettoyage à sec ou autres substances inflammables ou explosives à l'eau de lavage. Ces substances pourraient dégager des vapeurs qui risquent de s'enflammer ou d'exploser.
- Dans certaines conditions, une certaine quantité d'hydrogène peut être produite par un système à eau chaude qui n'a pas été utilisé pendant 2 semaines ou plus. L'HYDROGÈNE EST UN GAZ EXPLOSIF. Si le système à eau chaude n'a pas été utilisé pendant une telle période, avant de faire fonctionner la machine à laver, faites couler tous les robinets d'eau chaude pendant plusieurs minutes. Cette technique libérera tout hydrogène accumulé. Comme ce gaz est inflammable, ne fumez pas et n'utilisez aucune flamme pendant ce temps.
- Ne laissez pas les enfants jouer dans la machine à laver ou sur celle-ci. Vous devez les surveiller de près lorsque vous utilisez la machine à laver à proximité.
- Avant de laisser au repos ou de mettre la machine à laver au rebut, retirez-en la porte pour empêcher les enfants de s'y introduire.
- N'installez pas et n'entreposez pas la machine à laver dans un endroit où elle serait exposée aux intempéries ou au gel.
- Ne modifiez pas les commandes.
- Ne réparez pas et ne remplacez aucune des pièces de la machine à laver sauf indication contraire figurant dans ce manuel. De plus, n'effectuer que l'entretien décrit. Nous vous recommandons fortement de faire effectuer toute réparation par un technicien qualifié.
- Consultez les directives d'installation pour les exigences de mise à la terre.
- Suivez TOUJOURS les consignes d'entretien des tissus fournies par le fabricant du vêtement.
- Ne placez pas les articles exposés à de l'huile de cuisson dans votre machine à laver. Des vêtements contaminés aux huiles de cuisson peuvent entraîner une réaction chimique qui pourrait faire enflammer une brassée.
- Utilisez les assouplisseurs ou produits pour éliminer la statique uniquement tel que recommandé par le fabricant.
- Cette machine à laver n'est pas conçue pour une utilisation maritime ou pour des installations mobiles comme dans un véhicule récréatif, un avion, etc.
- Fermez les robinets si la machine à laver doit être laissée pendant une longue période, comme durant vos vacances.
- Les matériaux d'emballage peuvent être dangereux pour les enfants. Ils présentent un risque de suffocation ! Conservez tous les matériaux d'emballage hors de portée des enfants.
- Vérifiez toujours l'intérieur de la machine à laver pour y repérer tout objet étranger avant de charger une brassée de lessive. Gardez la porte fermée lorsque vous ne l'utilisez pas.

INSTRUCTIONS IMPORTANTES DE SÉCURITÉ

⚠ AVERTISSEMENT

Pour réduire les risques d'incendie, de choc électrique, ou des blessures corporelles en utilisant des appareils électroménagers, vous devez toujours suivre les précautions de base, y compris ce qui suit.

- **Débranchez votre machine à laver avant de la nettoyer** pour éviter le risque d'électrocution.
- **N'utilisez jamais de produits chimiques agressifs, de produits nettoyants abrasifs, ou de solvants pour nettoyer le lave-linge.** Ils endommageront la finition de l'appareil.
- **Ne mettez jamais de chiffons ou de vêtements huileux ou graisseux en haut de la machine à laver.** Ces substances dégagent des vapeurs qui peuvent mettre feu aux tissus.
- **Ne lavez pas d'articles qui ont été salis par de l'huile végétale ou de l'huile de cuisson.** Ces articles peuvent conserver un peu d'huile après le lavage. À cause de cette huile qui reste dans le tissu, le tissu peut se mettre à fumer ou peut prendre feu seul.
- **Débranchez cet appareil de sa prise d'alimentation avant**

de tenter de l'entretenir. Vous ne débranchez pas cet appareil de son alimentation électrique en tournant les boutons de commande en position OFF (arrêt). Tout non-respect de cet avertissement peut entraîner des blessures graves, un incendie, une électrocution ou la mort.

- **Ne mélangez jamais des produits de lavage pour la même charge, à moins que cela soit spécifié sur leur étiquette. Ne mélangez jamais d'eau de Javel chlorée avec de l'ammoniaque ou des acides, comme le vinaigre. Suivez les instructions des paquets pour utiliser des produits de lavage.** Un mauvais usage peut produire des gaz nocifs qui peuvent entraîner des blessures graves ou la mort.
- **Ne mettez jamais la main dans le lave-linge pendant qu'il fonctionne. Avant d'introduire, retirer ou ajouter des articles, appuyez sur le bouton START/PAUSE (démarrer/pause) et laissez le tambour s'arrêter complètement avant d'avoir accès à l'intérieur.** Le non-respect de cet avertissement peut entraîner un incendie, un choc électrique, ou encore des blessures graves ou mortelles.

⚠ AVERTISSEMENT

- **Reportez-vous aux INSTRUCTIONS D'INSTALLATION pour connaître les procédures de mise à la terre détaillées.** Vous trouverez ces instructions d'installation emballées à l'intérieur du lave-linge. Si vous changez le lave-linge d'emplacement, faites-le vérifier et réinstaller par un technicien qualifié. Le non-respect de cet avertissement peut entraîner un incendie, un choc électrique, ou encore des blessures graves ou mortelles.
- **Ne coupez ou ne retirez en aucune circonstance la troisième broche de mise à la terre du cordon d'alimentation.** Le non-respect de cet avertissement peut entraîner un incendie, un choc électrique, ou encore des blessures graves ou mortelles.
- **Pour la sécurité des personnes, cet appareil doit être correctement mis à la terre.** Le non-respect de cet avertissement peut entraîner un incendie, un choc électrique, ou encore des blessures graves ou mortelles.
- **Le cordon d'alimentation de cet appareil est équipé d'une fiche (mise à la terre) à trois broches qui doit être enfoncée dans une prise murale (avec mise à la terre) à trois broches standard afin de minimiser le risque de choc électrique avec cet appareil.**
- **Ce lave-linge doit être raccordé à une prise de 120V AC, 60Hz mise à la terre.** Le non-respect de cet avertissement peut entraîner un incendie, un choc électrique, ou encore des blessures graves ou mortelles.
- **Faites vérifier la prise murale et le circuit par un électricien qualifié afin de vous assurer que la prise est correctement mise à la terre.** Le non-respect de cet avertissement peut entraîner un incendie, un choc électrique, ou encore des blessures graves ou mortelles.
- **En cas de prise murale à deux broches standard, vous avez l'obligation et la responsabilité de la faire remplacer par une prise murale à trois broches correctement mise à la terre.** Le non-respect de cet avertissement peut entraîner un incendie, un choc électrique, ou encore des blessures graves ou mortelles.
- **N'installez pas ce lave-linge sur une moquette. Installez-le sur un sol stable.** Le non-respect de cet avertissement peut entraîner de sérieux dégâts en cas de fuite.
- **N'enlevez pas la broche de mise à la terre. N'utilisez pas d'adaptateur ou de rallonge. Raccordez le lave-linge à une prise à trois broches mise à la terre.** Le non-respect de ces consignes peut provoquer un incendie, un choc électrique, ou encore des blessures graves ou mortelles.

- **Le lave-linge doit toujours être raccordé à une prise électrique individuelle dont la tension nominale correspond à celle indiquée sur la plaque signalétique.** Cela permet d'obtenir les meilleures performances et évite également de surcharger le circuit électrique de la maison, ce qui pourrait entraîner un risque d'incendie dû à la surchauffe des fils.
- **Ne tirez jamais sur le cordon d'alimentation pour débrancher votre lave-linge.** Saisissez toujours la fiche fermement pour la sortir de la prise. Le non-respect de cet avertissement peut entraîner un incendie, un choc électrique, ou encore des blessures graves ou mortelles.
- **Réparez ou remplacez immédiatement tous les cordons d'alimentation dénudés ou endommagés. N'utilisez pas un cordon qui présente des craquelures ou des dommages dus à l'abrasion sur sa longueur ou à ses extrémités.** Le non-respect de cet avertissement peut entraîner un incendie, un choc électrique, ou encore des blessures graves ou mortelles.
- **Lors de l'installation ou du déplacement du lave-linge, veillez à ce que le cordon d'alimentation ne soit pas pincé, écrasé ou endommagé.** Le non-respect de cet avertissement peut entraîner un incendie, un choc électrique, ou encore des blessures graves ou mortelles.
- **Ce lave-linge doit être installé et relié électriquement à la terre par un technicien qualifié, conformément aux normes locales, pour minimiser les risques de choc électrique et garantir un fonctionnement stable.**
- **Ce lave-linge est lourd. Deux personnes ou plus peuvent être nécessaires pour installer et déplacer l'appareil.** Le non-respect de cette consigne peut entraîner une blessure au dos ou autre.
- **N'installez pas et n'entrez pas votre lave-linge dans un lieu où il sera exposé à des températures négatives ou aux intempéries.** Le non-respect de cet avertissement peut entraîner de sérieux dégâts en cas de fuite.
- **N'installez pas votre lave-linge dans un lieu humide, afin de réduire le risque de choc électrique.** Le non-respect de cet avertissement peut entraîner un incendie, un choc électrique, ou encore des blessures graves ou mortelles.
- **Pour réduire le risque de blessure, observez toutes les procédures de sécurité recommandées par l'industrie, y compris l'utilisation de gants à manches longues et de lunettes de sécurité.** Le défaut de respecter toutes les consignes de sécurité de ce manuel peut causer des dommages, des blessures ou la mort.

INSTRUCTIONS IMPORTANTES DE SÉCURITÉ

⚠ AVERTISSEMENT: RISQUE POUR LES ENFANTS

- Ne laissez pas les enfants jouer sur ou dans le lave-linge. Une surveillance étroite est nécessaire lorsque le lave-linge est utilisé à proximité d'enfants. À mesure que les enfants grandissent, apprenez-leur comment utiliser l'appareil correctement et en toute sécurité. Le non-respect de cet avertissement peut entraîner des blessures graves ou la mort.
- Détruisez le carton, le sac en plastique et les autres matériaux d'emballage une fois le lavelinge déballé. Les enfants pourraient s'en servir pour jouer. Les cartons recouverts de chiffons, couvre-lits ou feuilles plastique peuvent devenir de véritables caissons étanches. Le non-respect de cet avertissement peut entraîner des blessures graves ou la mort.
- Rangez les produits de lavage hors de portée des enfants. Pour éviter des blessures, tenez compte de tous les avertissements figurant sur les étiquettes de produits. Tout non-respect de cet avertissement peut entraîner des blessures graves.
- Avant de jeter votre machine à laver, ou de vous arrêter de l'utiliser, retirez la porte du compartiment de lavage pour éviter que des enfants ou de petits animaux ne s'y trouvent enfermés par inadvertance. Tout non-respect de cet avertissement peut entraîner des blessures graves ou la mort.

GROUNDING INSTRUCTIONS

IMPORTANT : Veuillez lire attentivement ces instructions.

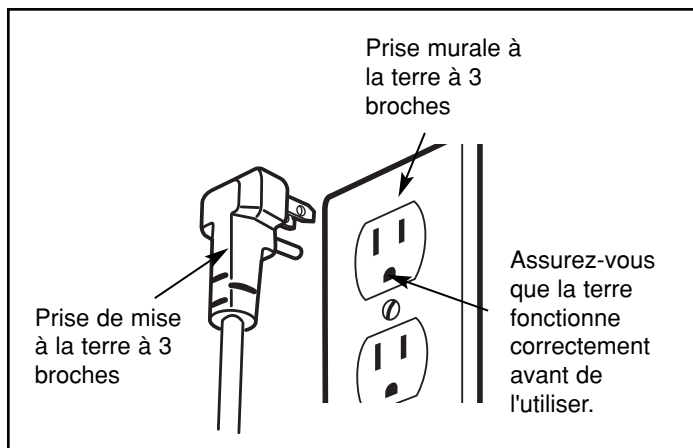
CONNEXION ÉLECTRIQUE

⚠ AVERTISSEMENT

Un raccordement incorrect du conducteur de mise à la terre de l'appareil peut entraîner un risque de déchargement électrique. Consultez un électricien ou un technicien qualifié si vous avez un doute sur la mise à la terre correcte de l'appareil. Ne modifiez pas la fiche fournie avec l'appareil. Dans le cas où elle ne serait pas adaptée à la prise, faites installer une prise correcte par un électricien qualifié. Le non-respect de ces instructions peut provoquer des blessures graves, un incendie, un choc électrique ou la mort.

INSTRUCTIONS DE MISE À LA TERRE

Cet appareil doit être raccordé à la terre. Dans l'éventualité d'un dysfonctionnement ou d'une panne, la mise à la terre réduira le risque de décharge électrique en fournissant au courant électrique un chemin de moindre résistance. Cet appareil est équipé d'un cordon, muni d'un conducteur de mise à la terre de l'appareil et d'une fiche de mise à la terre. La fiche doit être branchée dans une prise appropriée, correctement installée et raccordée à la terre, conformément à toutes les normes et réglementations locales.



CARACTÉRISTIQUES ET AVANTAGES

COMPOSANTS ET PIÈCES ESSENTIELS

A VERROUILLAGE DE PORTE

La porte du lave-linge est verrouillée durant son utilisation. Elle peut être déverrouillée en appuyant sur le bouton Démarrer/Pause afin d'interrompre le fonctionnement du lave-linge.

B TAMBOUR EN ACIER INOXYDABLE À GRANDE CAPACITÉ

Le tambour en acier inoxydable à grande capacité permet une extrême durabilité.

C PORTE À RESSORT POUR ÉVITER LES FERMETURES BRUSQUES

La "SOFT CLOSE" couvercle est un dispositif de sécurité pour fermer le couvercle lentement. Le dispositif à charnières "SOFT CLOSE" permet une fermeture en douceur et silencieuse du couvercle.

D COUVERCLE EN VERRE TREMPÉ

Le couvercle en verre trempé est durable et facilite la visualisation de l'intérieur du lave-linge.

E BOUTON DE SÉLECTION DE CYCLE

Tournez ce bouton pour sélectionner le cycle désiré. Dès que le cycle souhaité a été sélectionné, les pré-réglages standards s'afficheront sur l'écran. Ces réglages peuvent être ajustés à tout moment à l'aide des boutons de réglage de cycle avant de démarrer le programme.

F PANNEAU DE COMMANDE ARRIÈRE AVEC ÉCRAN À DEL

L'écran à DEL convivial indique les options de cycle, les réglages, et la durée estimée restante pendant le fonctionnement.

G PORTE À RESSORT POUR ÉVITER LES FERMETURES BRUSQUES

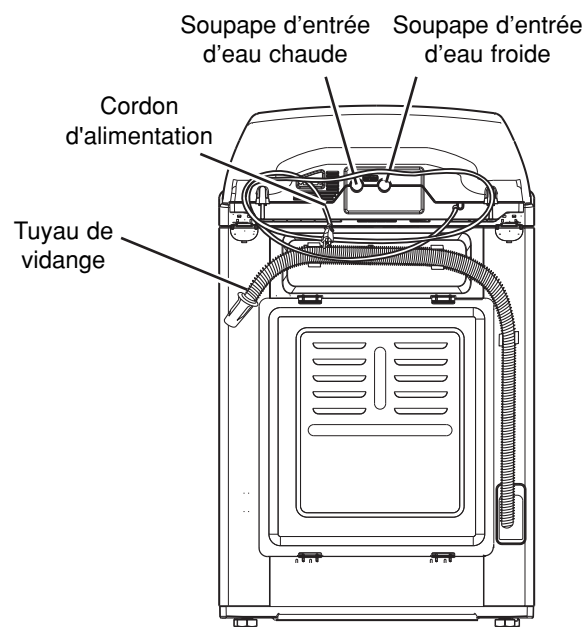
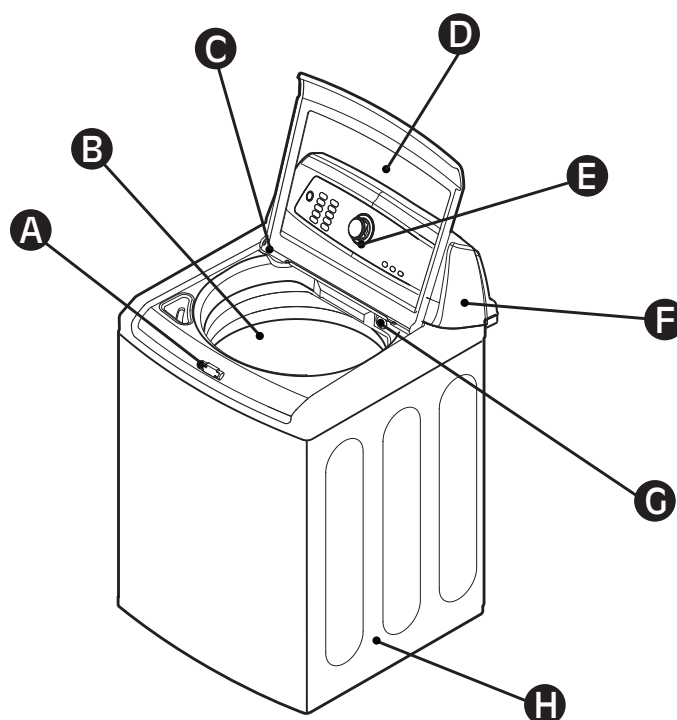
La PORTE À RESSORT POUR ÉVITER LES FERMETURES BRUSQUES est un dispositif de sécurité pour fermer le couvercle lentement. Elle permet d'empêcher le couvercle lourd de tomber et de blesser l'utilisateur.

REMARQUE : Sélectionnez l'option FABRIC SOFTENER (adoucissant) ou l'option EXTRA RINSE (rinçage supplémentaire), si vous utilisez un adoucissant dans les cycles NORMAL/CASUAL et HEAVY DUTY (intensif).

H CHAUFFE-EAU (Non visible)

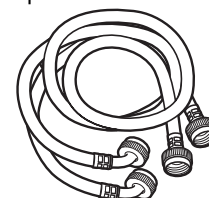
Le dispositif de chauffage situé à l'intérieur de la cuve permet d'augmenter la température de l'eau si la température de l'eau qui entre dans la laveuse n'est pas correcte.

Vous êtes alors assuré(e) que l'eau a atteint la température appropriée pour le cycle ou les options sélectionnées, notamment pour les cycles "SANITIZE" et "WHITEST WHITES".



Accessoires inclus

- Flexibles d'eau chaude et froide Avec 2 joints par tuyau à chaque extrémité



- Attache de câble (pour fixer le tuyau de vidange)



INSTRUCTIONS D'INSTALLATION

SPÉCIFICATIONS ET DIMENSIONS PRINCIPALES

Description	Lave-linge a chargement par le dessus
Fréquence/tension nominale	120VAC, 60Hz
Dimensions	27"(larg) X 283/8"(prof) X 453/8"(haut), 553/4"(haut avec la porte ouverte) 68,6 cm (larg) X 72,1 cm (prof) X 115,3 cm (haut), 141,7 cm (haut avec la porte ouverte)
Poids net	145.5 lbs. (66 kg)

CHOISIR L'EMPLACEMENT APPROPRIÉ

AVERTISSEMENT

- **La machine à laver est lourde ! Deux personnes ou plus sont nécessaires lorsque vous déballez et déplacez la machine à laver.** Tout non-respect de ces instructions peut entraîner des blessures du dos ou d'autres blessures.
- **Stockez et installez le lave-linge à un endroit où il ne sera pas exposé à des températures des températures négatives ou aux intempéries.** Le non-respect de cet avertissement peut entraîner des blessures graves, un incendie, un choc électrique ou la mort.
- **Le lave-linge doit être correctement raccordé (mis à la terre) pour être en conformité avec toutes les normes et réglementations en vigueur.** Le non-respect de cet avertissement peut entraîner des blessures graves, un incendie, un choc électrique ou la mort
- Afin de réduire le risque de chocs électriques, n'installez pas la machine à laver dans un endroit humide. Le non-respect de cet avertissement peut entraîner des blessures graves, un incendie, un choc électrique ou la mort.
- L'ouverture à la base ne doit pas être obstruée par le tapis si le lave-linge est installé sur un sol recouvert d'un tapis (ou moquette).
- Veillez à maintenir la zone située en-dessous et autour de vos appareils électroménagers dégagée de tous types de produits pouvant brûler comme de la peluche/charpie, du papier, des chiffons, des produits chimiques, etc.
- **Ne retirez pas le contact de mise à la terre. N'utilisez pas d'adaptateur ou de rallonge. Raccordez l'appareil à une prise à 3 broches mise à la terre.** Le non-respect de cet avertissement peut entraîner des blessures graves, un incendie, un choc électrique ou la mort.

PRISE D'ALIMENTATION

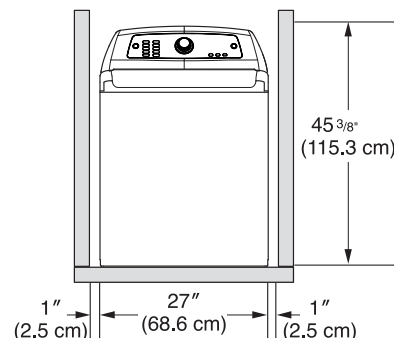
- La prise électrique doit être située à moins de 1,5 m (60 in.) (de chaque côté du lave-linge).
- L'appareil et la prise murale doivent être positionnés de manière à ce que la fiche d'alimentation soit facilement accessible.
- Ne surchargez pas la prise murale avec plus d'un appareil.
- La prise murale doit être mise à la terre conformément aux normes et réglementations de câblage de courant.
- L'utilisation d'un fusible à déclenchement retardé ou d'un disjoncteur est recommandée.

REMARQUE: Il est de la responsabilité du personnel et l'obligation du propriétaire de l'appareil de faire installer un raccord de sortie adapté par un technicien qualifié.

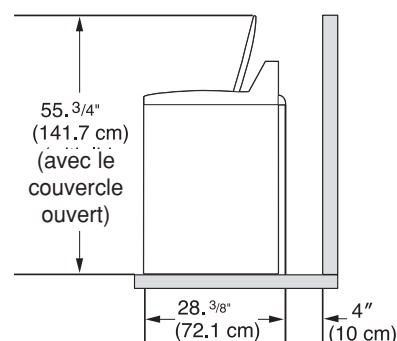
SOL

- La machine à laver est lourde ! Deux personnes ou plus sont nécessaires lorsque vous déballez et déplacez la machine à laver. Tout non-respect de ces instructions peut entraîner des blessures du dos ou d'autres blessures.
 - Pour minimiser le bruit et la vibration, la machine à laver DOIT être installée sur un plancher solide. Consultez la NOTE à droite.
 - La pente permise sous la machine à laver dans son entier est d'un maximum de 1°.
 - Les revêtements de tapis et de tuiles souples ne sont pas recommandés.
 - N'installez jamais la machine à laver sur une plateforme ou sur une structure faiblement supportée. Utilisez uniquement un piédestal accessoire approuvé tel que décrit ci-dessous.
- REMARQUE:** La machine à laver doit être installée sur un sol stable pour réduire les chocs durant le cycle d'essorage. Un sol en béton est l'idéal, mais un parquet suffit, à condition qu'il soit conforme aux normes FHA (sécurité pour l'habitat). La machine ne doit pas être installée sur un tapis ou exposée aux intempéries.

ESPACES



Afin d'assurer un espace suffisant pour les conduites d'eau, laissez un espace minimum de 2,5 cm (1 in.) sur les côtés, et de 10 cm (4 in.) à l'arrière de l'unité. Assurez-vous que l'espace est suffisant pour le mur, la porte ou les moulages - ils risquent d'augmenter les espaces nécessaires.



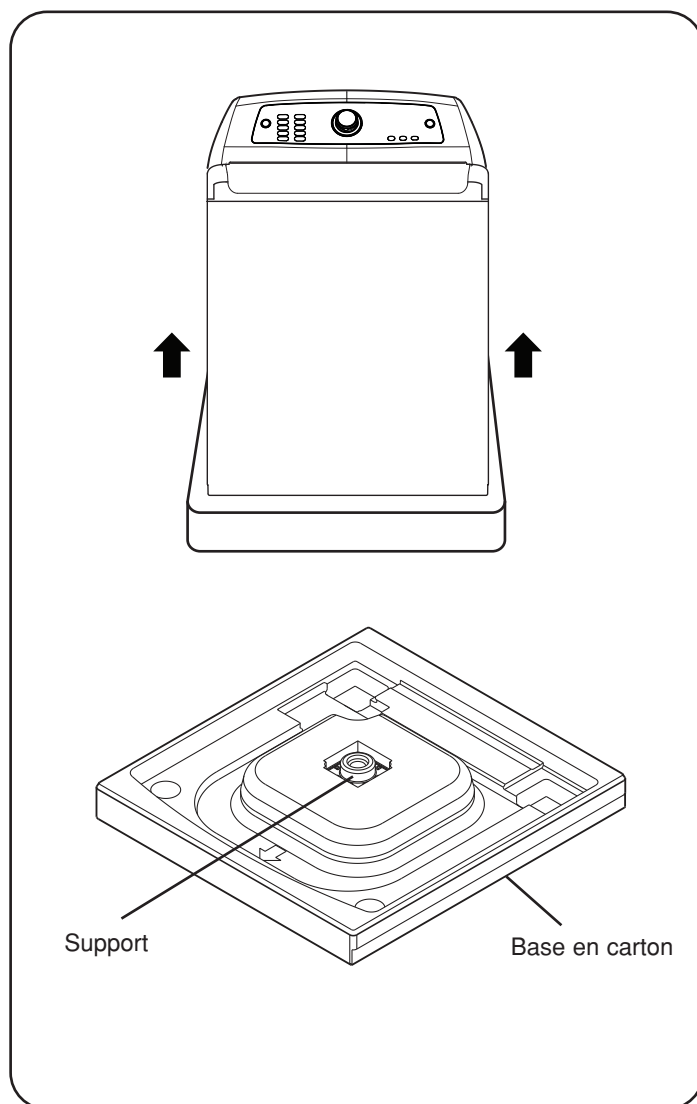
L'espace vertical minimum du sol aux étagères supérieures, armoires, plafonds, etc., est de 140 cm.

INSTRUCTIONS D'INSTALLATION

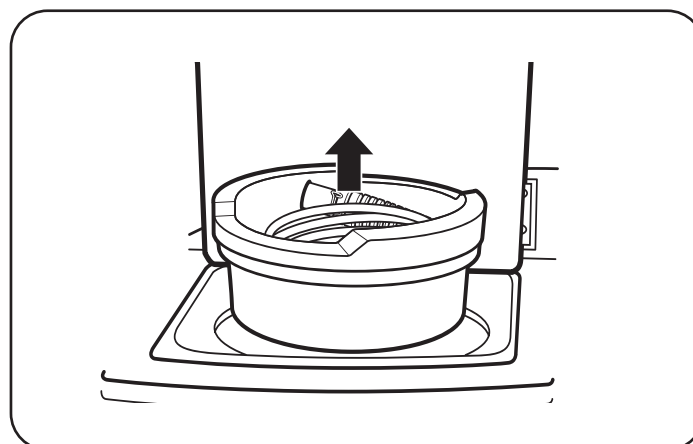
DÉBALLER LE LAVE-LINGE

Lorsque vous extrayez le lave-linge de la base du carton, veillez à retirer le support de cuve situé au milieu de la base du carton.

Si vous devez déposer la machine à laver sur le sol pour enlever les matériaux d'emballage de la base, protégez toujours les parties latérales de l'appareil et posez-le précautionneusement sur le côté. Ne déposez PAS la machine à laver sur l'arrière ni sur l'avant.

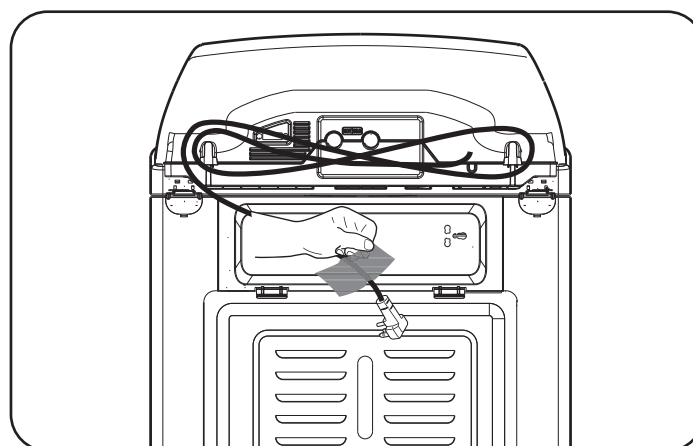


1. Après avoir retiré le carton et le matériel d'emballage, soulevez la laveuse pour l'extraire de sa base en polystyrène. Assurez-vous que le support de cuve plastique s'enlève avec la base et ne reste pas coincé avec le bas de la laveuse.



2. Retirez le bloc d'emballage contenant le manuel de l'utilisateur, les pièces, les conduites d'eau (flexibles) et les échantillons de produit de nettoyage.

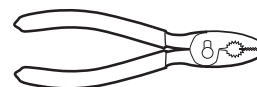
REMARQUE : Ne retirez pas le bloc de polystyrène tant que la laveuse n'est pas à son emplacement final



3. Détachez le cordon d'alimentation situé à l'arrière du lave-linge (laveuse).

OUTILS NÉCESSAIRES

- Pinces réglables



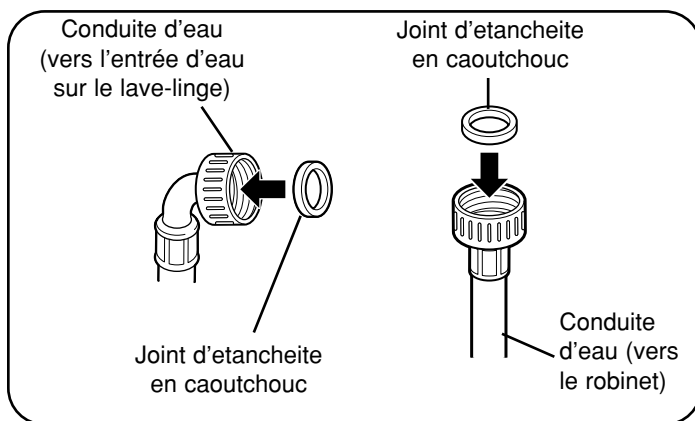
- Niveau de charpentier



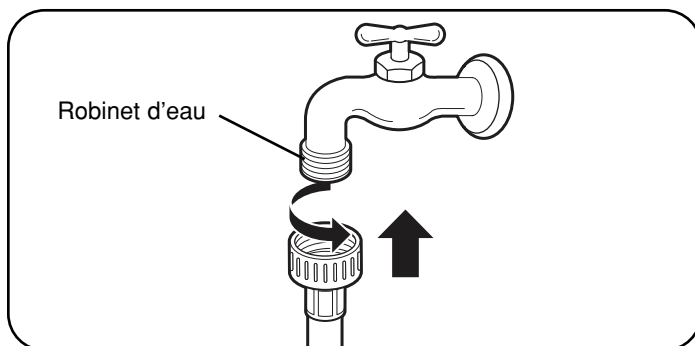
INSTRUCTIONS D'INSTALLATION

RACCORDEMENT DES CONDUITES D'EAU

- **IMPORTANT:** Utilisez des tuyaux neufs lors de l'installation du lave-linge. Ne RÉUTILISEZ JAMAIS de flexibles usagés.
- **IMPORTANT:** Utilisez UNIQUEMENT les conduites d'admission fournies par LG avec ce produit. Il n'est pas garanti que les flexibles vendus sur le marché en tant que pièces de rechange s'ajustent ou fonctionnent correctement. Les autres flexibles risquent de ne pas pouvoir être correctement serrés, et peuvent entraîner des fuites. Les dommages ultérieurs causés au produit ou à vos biens ne seront pas couverts par les conditions de la garantie LG.
- La pression d'alimentation en eau doit être comprise entre 14,5 PSI et 116 PSI (100~800 kPa). Si la pression d'alimentation en eau est supérieure à 116 PSI, un détendeur de pression (vanne de réduction de pression) devra être installé.
- Recherchez périodiquement craquelures, fuites ou usure sur le tuyau et remplacez celui-ci tous les 5 ans.
- Assurez-vous que les conduites d'eau ne sont pas étirées, pincées, écrasées ou tordues.
- La machine à laver ne doit jamais être installée et entreposée dans un endroit soumis au gel. En effet, le gel risquerait d'endommager les conduites d'eau et les mécanismes internes de la machine à laver. Si la machine à laver a été exposée au gel avant son installation, laissez-la reposer à la température de la pièce pendant plusieurs heures avant de l'utiliser.



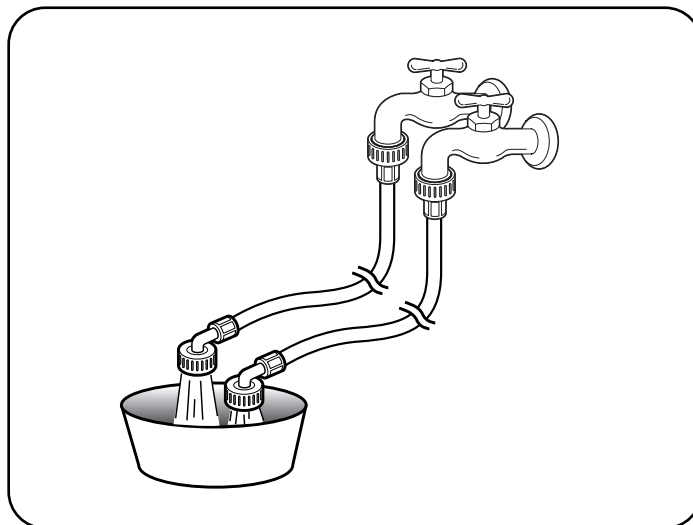
1. Vérifiez la fixation filetée sur chaque tuyau et assurez-vous qu'un joint en caoutchouc est disposé aux deux extrémités.



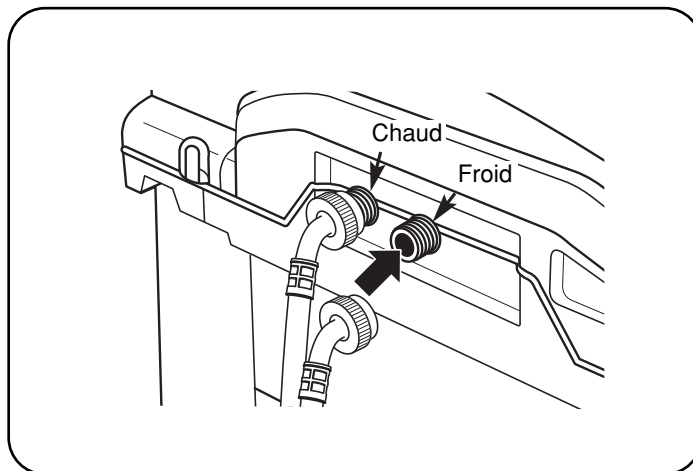
2. Raccordez les tuyaux d'arrivée d'eau aux robinets d'eau CHAUDE et FROIDE en vissant d'abord fermement à la main, puis en serrant encore 2/3 de tour avec une pince. Ouvrez les robinets et vérifiez la présence éventuelle de fuites.

REMARQUE: Un chauffe-eau pour fournir de l'eau à 120°F (49°C) à la laveuse.

REMARQUE: Pour éviter toute accumulation pouvant obstruer la crépine de la soupape d'admission, vidangez complètement le robinet et le tuyau de toutes particules ou autres impuretés, en y faisant couler de l'eau dans un conteneur.



3. Toujours vidanger quelques litres d'eau (un ou deux gallons) dans chacun des tuyaux de remplissage afin d'éviter des problèmes futurs et de voir les filtres se boucher. Ceci vous aidera à identifier les tuyaux d'eau chaude et d'eau froide.



4. Raccordez le tuyau d'entrée d'eau chaude (rouge) au raccord d'eau chaude à l'arrière de la machine à laver. Raccordez le tuyau d'entrée d'eau froide (bleu) au raccord d'eau froide à l'arrière de la machine à laver. Serrez fermement les raccords.

REMARQUE: veillez à ne pas fausser le filetage des raccords car cela endommagerait la vanne et risquerait d'entraîner des dégâts matériels dus aux fuites. **REMARQUE:** Serrez fermement les raccords. Ouvrez pleinement les robinets d'eau afin de vérifier qu'il n'y a pas de fuites.

REMARQUE: Ne faussez pas le filetage des raccords de flexible. Raccordez le tuyau d'entrée d'eau chaude (rouge) au raccord d'eau chaude à l'arrière du lave-linge. Raccordez le tuyau d'entrée d'eau froide (bleu) au raccord d'eau froide à l'arrière du lave-linge. Serrez fermement les raccords.

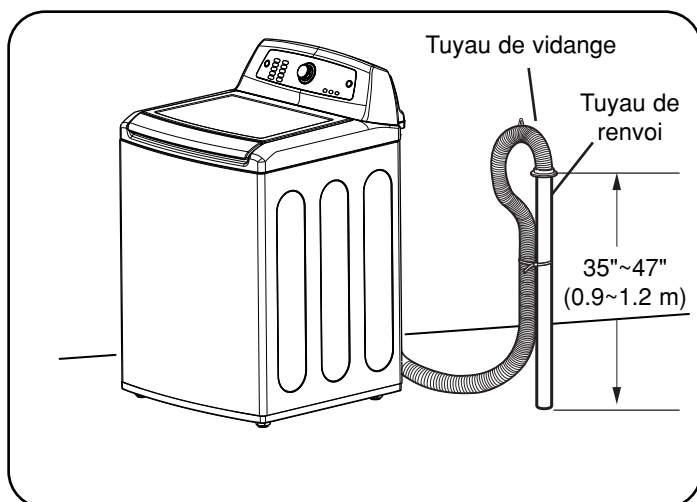
REMARQUE: Serrez fermement les raccords. Ouvrez pleinement les robinets d'eau afin de vérifier qu'il n'y a pas de fuites.

INSTRUCTIONS D'INSTALLATION

RACCORDEMENT DU CONDUIT D'ÉVACUATION

- Le conduit d'évacuation doit toujours être correctement sécurisé. Le non-respect de cette instruction peut entraîner une inondation et des dommages matériels.
- L'évacuation doit être installée conformément aux normes et réglementations locales en vigueur.
- Assurez-vous que les conduites d'eau ne sont pas étirées, coincées, écrasées ou entortillées.

Option1: Tuyau de renvoi

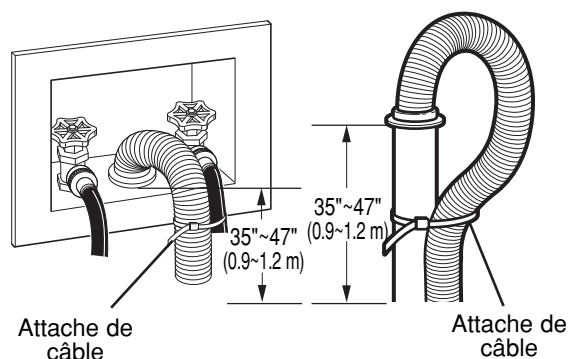


REMARQUE :

- La hauteur totale de l'extrémité du conduit doit être approximativement de 35"~47" (0,9~1,2 m) à partir du sol.
- N'insérez pas le tuyau de vidange plus de 4 pouces (10 centimètres) dans le tuyau de renvoi.
- N'installez pas l'extrémité de la conduite d'évacuation à une hauteur supérieure à 243,8 cm (96 in.) au-dessus de la partie inférieure de la machine.

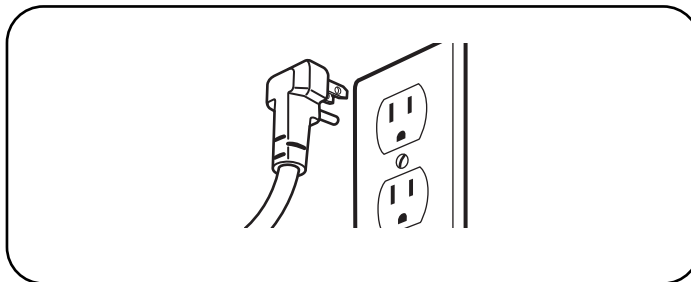
Insérez fermement l'extrémité libre de la conduite d'évacuation dans l'ouverture d'évacuation de votre maison. Assurez-vous que l'extrémité du caoutchouc souple se trouve entièrement dans l'ouverture d'évacuation.

- Si les vannes d'eau et l'évacuation sont intégrées dans le mur, raccordez le conduit d'évacuation à l'un des tuyaux d'eau avec l'attache de câble (côté nervuré vers l'intérieur).
- Si votre évacuation est un tuyau de renvoi, serrez le conduit d'évacuation sur le tuyau de renvoi avec l'attache de câble fournie.



CONNEXION À L'ALIMENTATION ÉLECTRIQUE

Le lave-linge doit être raccordé à une prise à 3 broches mise à la terre (120V AC, 60Hz). Branchez la machine à laver.



⚠ AVERTISSEMENT

Un raccordement incorrect du conducteur de mise à la terre de l'appareil peut entraîner un risque de déchargement électrique. Consultez un électricien ou un technicien qualifié si vous avez un doute sur la mise à la terre correcte de l'appareil. Ne modifiez pas la fiche fournie avec l'appareil. Dans le cas où elle ne serait pas adaptée à la prise, faites installer une prise correcte par un électricien qualifié. Le non-respect de ces instructions peut provoquer des blessures graves, un incendie, un choc électrique ou la mort.

INSTRUCTIONS D'INSTALLATION

NIVELADO DE LA LAVADORA

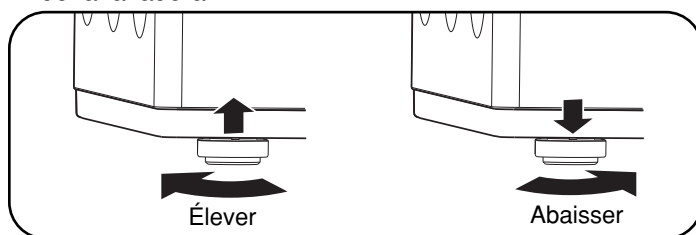
Le tambour de votre nouvelle machine à laver tourne à des vitesses très élevées.

REMARQUE : ajustez les pieds de nivellement seulement pour répondre aux besoins de mise à niveau de la machine. Les étendre plus qu'il est nécessaire pourrait causer des vibrations.

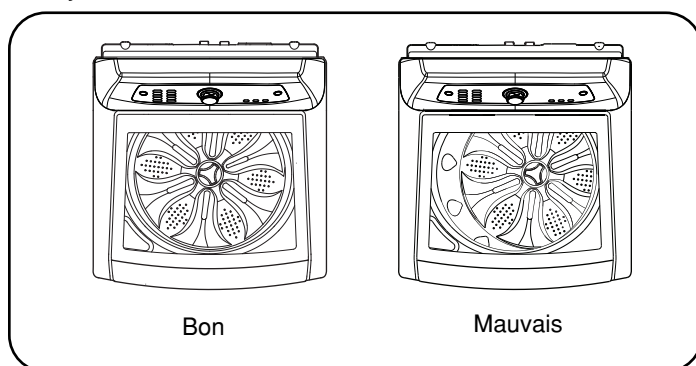
REMARQUE : avant d'installer le lave-linge, enlevez tous les objets se trouvant sur le sol et nettoyez-le. La présence de poussière, d'eau, d'huile, de détergent ou autre peut provoquer des vibrations dues à un mauvais contact des pieds avec le sol.

REMARQUE : avant d'installer la machine, assurez-vous que le sol est propre, sec et débarrassé de toutes poussières, saletés, graisses et eaux afin que les pieds de la machine ne glissent pas. Les pieds de stabilisation, s'ils bougent ou glissent sur le sol, peuvent favoriser les vibrations et le bruit.

1. Coloque la lavadora en su posición final, teniendo cuidado de no pinzar, forzar o aplastar las líneas de agua y desagüe. Coloque un nivel en la parte superior de la lavadora.

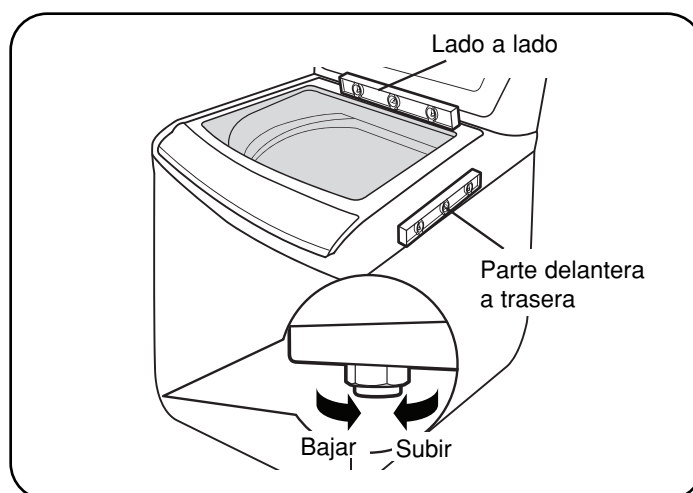


2. Ajuste el 2 frontales patas niveladoras. Gire hacia la derecha para subir la lavadora o hacia la izquierda para bajarla.



3. Para asegurarse de que la lavadora está nivelada correctamente, abra la cubierta y mire desde arriba para ver si es lo mismo que se muestra desde al arriba. Si tiene un nivel, compruebe la nivelación exacta de la lavadora

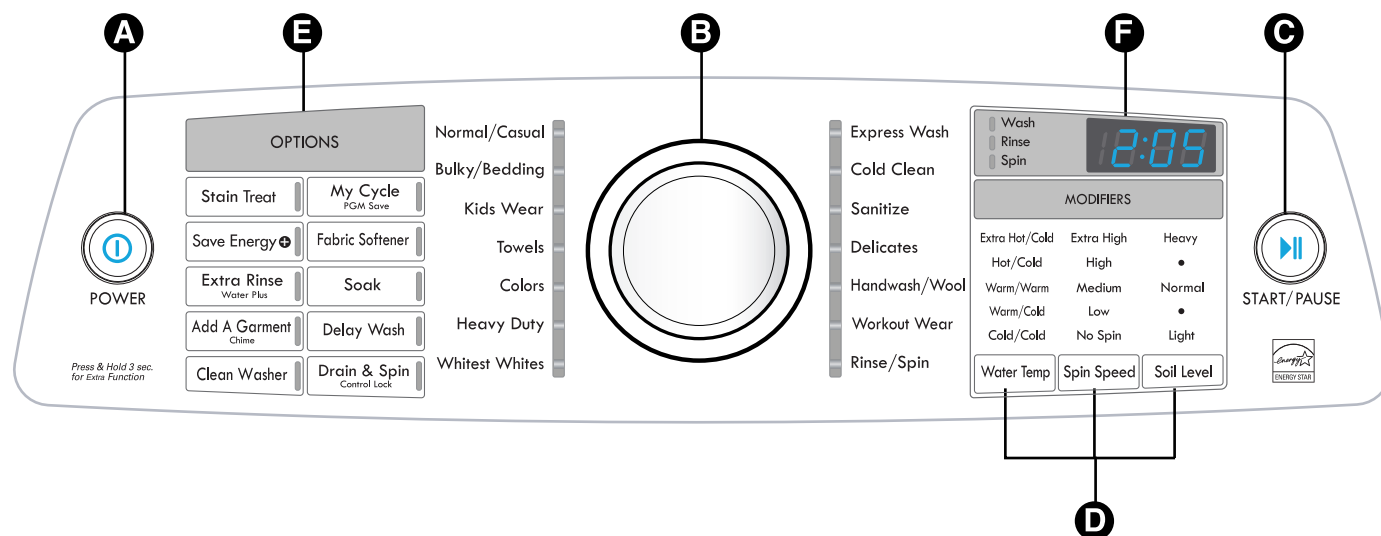
- Pour vérifier si la laveuse est à niveau de bord à bord, placez un niveau à l'arrière du couvercle.
- Para comprobar si está nivelada de la parte delantera a la trasera, coloque un nivel a un lado de la lavadora en el borde donde el lado de la estructura coincide con la cubierta superior.



MODE D'EMPLOI

AVERTISSEMENT: pour réduire le risque d'incendie, de décharge électrique, ou de blessures, veuillez lire attentivement et respecter le Guide d'utilisation et d'entretien, y compris les instructions importantes de sécurité, avant d'utiliser cette machine à laver.

CARACTÉRISTIQUES DU PANNEAU DE COMMANDE



A BOTÓN DE ENCENDIDO/APAGADO

Pulse para encender la lavadora. Pulse de nuevo para apagarla.

REMARQUE: Si la arandela permanece inactiva durante 4 minutos tras apagar la lavadora, el agua del tambor se drenará. Sonará una alarma 1 minuto antes del vaciado de agua y aparecerá "dr" en la pantalla. Puede reiniciar la lavadora en este momento.

Toutefois, dès que la laveuse lance l'égouttage, toutes les fonctions sont interrompues, 'dr' sera affiché jusqu'à ce que l'égouttage soit terminé et tous les réglages du cycle seront perdus.

B BOUTON SÉLECTEUR DE CYCLE

Tournez ce bouton pour sélectionner le cycle désiré. Une fois le cycle désiré sélectionné, les pré-réglages standard s'afficheront à l'afficheur. Ces paramètres peuvent être réglés à l'aide des boutons de configuration de cycle avant de démarrer le cycle. (Voir le guide de cycle, page 64, pour connaître les réglages autorisés. Pour protéger les tissus, les réglages ne sont pas tous autorisés pour l'ensemble des cycles.)

C BOUTON DE MISE EN MARCHE/PAUSE

Appuyez sur ce bouton pour DÉMARRER le cycle sélectionné. Si la machine à laver est en fonction, utilisez ce bouton pour faire une PAUSE dans le cycle sans perdre les paramètres actuels.

REMARQUE : Si vous n'appuyez pas sur le bouton START/PAUSE (MARCHE/PAUSE) dans les 4 minutes de la sélection d'un cycle, la machine à laver s'éteint automatiquement.

REMARQUE : Si la lavadora permanece inactiva durante 8 minutos después de la pausa del ciclo, l'eau présente dans la cuve sera vidangée et tous les réglages du cycle seront perdus. Pour plus d'informations, voir page 82.

D BOUTONS DE MODIFICATION DU CYCLE

Utilisez ces boutons pour sélectionner les options de cycle souhaitées pour le cycle que vous avez choisi. Voir page 79 pour obtenir une description complète.

REMARQUE : les réglages ne sont pas tous disponibles pour toutes les sélections de cycle. Voir le tableau à la page 74 pour plus de détails.

E BOUTONS D'OPTIONS DE CYCLE

Estos botones le permiten seleccionar opciones de ciclo adicionales que se iluminarán cuando los seleccione. Ciertos botones también le permiten activar funciones específicas al pulsar durante 3 segundos el botón. Voir le tableau à la page 80,81,82 pour plus de détails.

F ÉCRAN HEURE ET ÉTAT

L'affichage indique le temps restant estimé, l'état du cycle.

Pour une description complète, voir page 78.

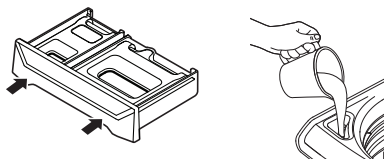
MODE D'EMPLOI

FUNCIONAMIENTO DE LA LAVADORA



1 ELIJA LA ROPA A LAVAR Y LA CARGA.

Reportez-vous à la page 75.



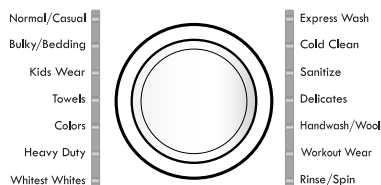
2 AJOUT DE DETERGENT

Ajoutez du détergent HE dans le tiroir détergent distributeur. Reportez-vous à la page 77 pour plus de détails.



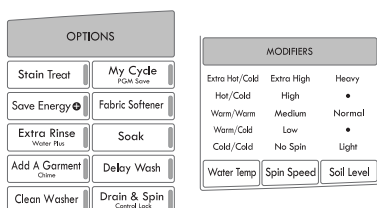
3 MISE SOUS TENSION DE LA MACHINE À LAVER

Appuyez sur le bouton POWER pour mettre sous tension la machine à laver. Les voyants autour du bouton le bouton du sélecteur s'allument et un carillon retentit, si activé. Reportez-vous à la page 75.



4 SÉLECTIONNER UN CYCLE

Tournez le Bouton de sélection de cycle dans un sens ou dans l'autre pour choisir le cycle désiré. Les réglages pré-réglés pour ce cycle seront indiqués : température de Wash/Rinse (lavage/rincage), Spin Speed (vitesse d'essorage), Soil Level (niveau de saleté), et options. Reportez-vous à la page 72.

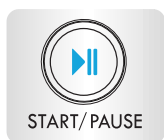


5 SÉLECTIONNER LES MODIFICATEURS DE CYCLE

Les paramètres par défaut pour le cycle sélectionné peuvent désormais être modifiés (si vous le souhaitez). Utilisez les boutons de modification du cycle comme indiqué en page 19. Des options de cycle peuvent également être ajoutées en utilisant les boutons d'options - comme indiqué aux pages 80 - 82.

REMARQUE : Pour protéger les tissus, les modificateurs ne sont pas tous disponibles pour l'ensemble des cycles.

REMARQUE : Les options ne sont pas toutes disponibles pour tous les cycles. Un indicateur sonore retentira et le voyant ne s'allumera pas si la sélection n'est pas possible.



6 COMMENCER LE CYCLE

Pulse el botón de "START/PAUSE" (Démarrer/Pause) para iniciar el ciclo. Se cerrará la puerta, la pantalla cambiará y la lavadora iniciará el cálculo del tiempo estimado restante. Una vez calculado el tiempo total estimado para el ciclo, la lavadora se pondrá en funcionamiento. Para pausar el ciclo en cualquier momento, pulse PAUSA.

Para reanudar el ciclo desde donde se ha detenido, pulse de nuevo "START/PAUSE".

Appuyez sur le bouton "START/PAUSE" pour interrompre le cycle et ajouter des articles dans la laveuse. Le témoin "ADD A GARMENT" (Ajout vêtement) s'allume pendant un temps après le début du cycle de lavage pour indiquer lorsqu'il est possible d'ajouter des articles dans la laveuse en toute sécurité.

REMARQUE : nous déconseillons d'ajouter des articles tant que le témoin "ADD A GARMENT" ne s'est pas allumé, cela pourrait se traduire par des performances médiocres.

REMARQUE : Cuando finalice el proceso, se escuchara la alarma (si esta activada) a la vez que se desbloquea la puerta. Para evitar las arrugas, saque la ropa de la lavadora lo antes posible una vez finalizado el ciclo.

REMARQUE : Le mode de lavage CASCADE est activé pour des charges de 8 livres (3,70 kg) ou plus dans les cycles NORMAL/CLASSIQUE (NORMAL/CASUAL) ou PROGRAMME RENFORCÉ (HEAVY DUTY).

MODE D'EMPLOI

GUIDE DE CYCLE

Le guide des cycles ci-dessous indique les paramètres par défaut, les options disponibles et les types de tissu recommandés pour chaque cycle. Les réglages possibles des modificateurs sont indiqués sous le paramètre par défaut de chaque cycle.

● = Option disponible

■ = Paramètre par défaut

Cycle	Type de tissu ou de charge	Lavage/ Rinçage	Spin Speed	Intensité de lavage (niveau de saleté)	Traitement des taches	Save Energy	Rinçage supplém entaire	Water Plus (Eau supplé mentaire)	Add a Garment (Ajouter un vêtement)
Normal/Casual (Vêtements courants/ décontractés)	Coton, linge de maison, serviettes, chemises, draps, jeans, charges mixtes.	Chaud/Froid	Haute	Normal					
		Très chaud/Froid Froid/Froid	Très élevée Pas de rotation Moyenne	Lourd Léger	●	●	●	●	●
Cold Clean (Lavage à froid)	Petites charges de coton, linge de maison, serviettes, chemises, draps, jeans, charges mixtes.	Froid/Froid	Haute	Normal					
			Très élevée Pas de rotation Basse Moyenne	Lourd Léger			●	●	●
Heavy Duty (Lavage intense)	Vêtements en coton lourds souillés	Chaud/Froid	Haute	Lourd					
		Chaud/Chaud Très chaud/Froid Froid/Froid	Très élevée Pas de rotation Basse Moyenne	Léger Normal	●	●	●	●	●
Bulky/ Bedding (Encombrant /litterie)	Eléments encombrants tels que couvertures et édredons.	Chaud/Froid	Moyenne	Normal					
		Chaud/Chaud Très chaud/Froid Froid/Froid	Haute Très élevée Pas de rotation Basse	Lourd Léger			●		●
Whitest Whites (Blancs très blancs)	Tissus blancs	Très chaud/Froid	Moyenne	Lourd					
		Chaud/Froid	High Très élevée Pas de rotation Basse	Léger Normal			●	●	●
Rinse & Spin (rinçage & essorage)	Rinçage & Essorage	Froid/Froid	Haute						
			Très élevée Pas de rotation Basse Moyenne				●	●	
Sanitize (Hygiénique)	Vêtements très sales, tels que vêtements de travail, couches, etc.	Extrêmement chaud/Froid	Haute	Lourd					
			Très élevée Pas de rotation Basse Moyenne	Léger Normal			●		●
Kids wear (Vêtements pour enfants)	Vêtements pour enfants	Chaud/Chaud	Haute	Light					
		Très chaud/Froid Chaud/Froid	Très élevée Pas de rotation Basse Moyenne	Normal Lourd			●	●	●
Towels (Serviettes)	Serviettes, chemises, draps, jeans, charges mixtes	Chaud/Froid	Haute	Normal					
		Chaud/Chaud Très chaud/Froid Froid/Froid	Très élevée Pas de rotation Basse Moyenne	Lourd Léger	●		●	●	●
Workout Wear (Vêtements infroissables)	Articles synthétiques, sans repassage	Chaud/Froid	Moyenne	Normal					
		Chaud/Chaud Froid/Froid	Haute Pas de rotation Basse	Lourd Léger			●	●	●
Couleurs	Lightly soiled and colored clothing	Froid/Froid	Moyenne	Normal					
		Chaud/Froid Chaud/Chaud	Haute Très élevée Pas de rotation Basse	Lourd Léger			●	●	●
Express Wash (Lavage express)	Vêtements peu sales et petites charges	Chaud/Chaud	Haute	Léger					
		Froid/Froid Chaud/Froid	Très élevée Pas de rotation Basse Moyenne	Normal Lourd			●	●	●
Handwash/Woo l (Nettoyage à la main/Laine)	Vêtements peu sales et petites charges	Chaud/Froid	Basse	Léger					
		Froid/Froid	Moyenne Pas de rotation	Normal Lourd			●	●	●
Delicates	Chemises de soirée/ chemisiers, bas, vêtements très fins ou à dentelles	Froid/Froid	Basse	Léger					
		Chaud/Froid Chaud/Chaud	Moyenne Pas de rotation	Normal Lourd			●	●	●

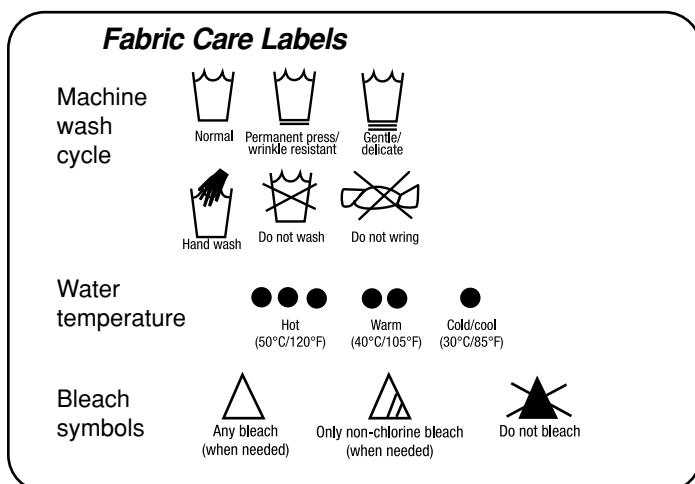
REMARQUE : La laveuse règle automatiquement le temps de lavage en fonction du volume du linge, de la pression de l'eau, du temps de chauffage de l'eau et d'autres conditions de fonctionnement.

TRIAGE DES BRASSÉES

Étiquettes d'entretien des tissus

De nombreux vêtements disposent d'une étiquette comportant des consignes sur le type de lavage.

En utilisant le tableau ci-dessous, ajustez les sélections de cycle et d'options pour traiter vos vêtements en fonction des recommandations du fabricant.



Groupement d'un élément similaire

Pour obtenir les meilleurs résultats et réduire les risques d'endommagement, il est important d'effectuer des chargements de types de vêtements similaires (tri des vêtements). Mélanger différents types de tissus et/ou de niveaux de saleté peut entraîner un faible rendement de lavage, un transfert de couleur ou une décoloration, endommager ou effiloche les tissus. Les tissus doivent être regroupés comme indiqué ci-dessous.

Couleurs

Trier les vêtements selon la couleur. Lavez les vêtements foncés dans un même chargement - séparés des vêtements blancs ou de couleur claire. Mélanger des vêtements foncés avec des vêtements clairs peut entraîner un transfert des couleurs ou une décoloration des vêtements les plus clairs.

Niveau de saleté

Regroupez les vêtements extrêmement sales pour les nettoyer. Laver les vêtements peu sales dans le même chargement que des vêtements extrêmement sales peut entraîner un mauvais rendement de lavage pour les vêtements peu sales.

Type de tissu

Les vêtements délicats ne doivent pas être mélangés avec les types de tissus plus lourds ou plus solides. Le lavage d'articles fragiles dans le même chargement que des tissus lourds risque d'endommager les tissus les plus fragiles. Le nettoyage de tissus plus lourds dans un chargement de vêtements fragiles risque d'entraîner un mauvais nettoyage des tissus les plus lourds et un endommagement potentiel des tissus fragiles.

Type d'effilochage

Certains tissus ont tendance à attirer et à accrocher les peluches, tandis que d'autres ont tendance à dégager des peluches au cours du processus de lavage. Évitez de mélanger ces collecteurs de peluches et producteurs de peluches dans le même chargement. Le mélange de ces tissus entraînera le boulochage et l'effilochage de collecteurs de peluches. (par exemple, collecteur de peluches - pull tricoté ; producteur de peluches - serviettes en tissu éponge)

Chargement de la machine à laver

- Vérifiez toutes les poches pour vous assurer qu'elles sont vides. Des articles comme des trombones, des allumettes, des stylos, de la monnaie et des clés peuvent endommager votre machine à laver et vos vêtements.
- Fermez les fermetures-éclair, les crochets et les cordons pour les empêcher de s'accrocher ou de s'emmêler aux autres vêtements.
- Pré-traitez les taches tenaces pour de meilleurs résultats.
- Ils ne doivent pas composer plus de la moitié de la brassée totale.
- La machine à laver peut être entièrement chargée mais le tambour ne doit pas être bourré. La porte de la machine à laver doit pouvoir se fermer facilement.
- Pour prévenir tout déséquilibre de la brassée, ne lavez pas un article seul. Ajoutez un ou deux articles similaires à la brassée. Les articles gros et encombrants comme les couvertures, couettes ou dessus de lit doivent être lavés individuellement.
- Ne lavez pas et n'essorez pas les vêtements imperméables.
- Jamais lave prendas que contengan materiales inflamables (ceras, productos de limpieza, etc.)
- La lavadora no iniciará ningún proceso mientras la cubierta esté abierta.

IMPORTANTE: Use el ciclo de artículos voluminosos/ropa de cama (Bulky/Bedding) para estos artículos. Estos elementos pueden no ser tan absorbentes como otras prendas de colada y deben colocarse en una carga de lavado independiente para obtener unos óptimos resultados.



Les articles volumineux doivent être placés aussi bas que possible dans le panier de lavage afin d'obtenir les meilleurs résultats. Placez toujours les articles flottants au bas du panier de lavage.

Le lave-linge détectera automatiquement la taille de la charge. À cause du système de lavage d'une grande efficacité, le niveau de l'eau risque de ne pas recouvrir complètement la charge.

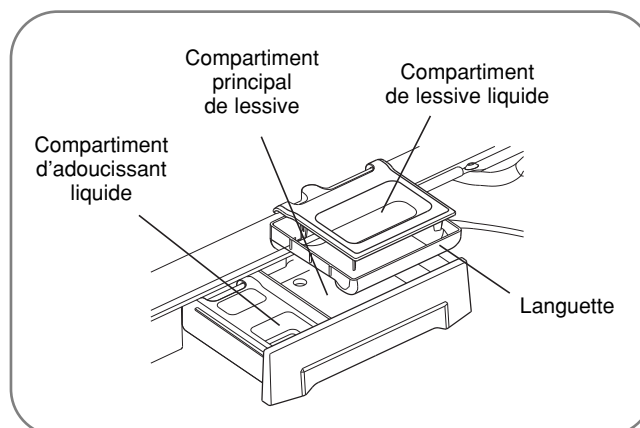
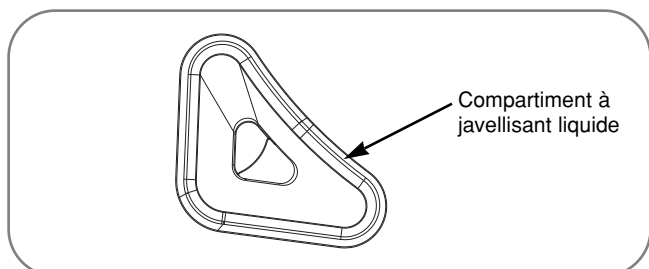
Trier la lessive...

par couleur	par saleté	par tissu	par tissu pelucheux
blancs	lourds	déliçats	producteur de peluche
légers foncés	normaux légers	entretien facile robustes	collecteur de peluche

À PROPOS DU DISTRIBUTEUR

Le distributeur automatique est constitué de quatre compartiments qui conservent :

- L'assouplissant.
- Détergent liquide ou en poudre pour le lavage principal.



Compartiment à détergent de lavage principal

Ce compartiment contient de la lessive pour le cycle de lavage principal. Elle est déversée dans le tambour au début du cycle. Utilisez toujours des lessives à haute efficacité (HE) pour votre lave-linge. Respectez toujours les recommandations du fabricant de la lessive avant de l'utiliser. Utiliser trop de lessive peut causer l'accumulation de détergent dans les vêtements et dans le lavelinge. Vous pouvez utiliser de la lessive en poudre ou liquide.

- Lorsque vous utilisez une lessive liquide, assurez-vous que le doseur de lessive et le bac encastrable sont en place. Ne dépassez pas la ligne de remplissage maximum.
- Lorsque vous utilisez de la lessive en poudre, retirez le bac encastrable et le doseur du compartiment à lessive liquide.

Compartiment à assouplissant liquide

Ce compartiment contient l'assouplissant liquide, qui sera automatiquement distribué durant le cycle du rinçage final. Ne dépassez jamais les doses d'adoucissant recommandées par le fabricant. L'utilisation excessive d'adoucissant peut entraîner une accumulation de produit sur le vêtement et dans la machine. Il est possible d'utiliser des adoucissants liquides ou en poudre.

- Conformez-vous aux recommandations du fabricant lorsque vous ajoutez l'assouplisseur. Ne dépassez pas la ligne de remplissage maximum. Trop d'assouplisseur pourrait tacher les vêtements.
- Diluez les assouplisseurs concentrés à l'eau tiède. Ne dépassez pas la ligne de remplissage maximum.
- Ne versez jamais d'assouplisseur directement dans la brassée ou dans le tambour.

REMARQUE : Les cycles NORMAL/CASUAL et HEAVY DUTY utilisent un rinçage spécifique JET SPRAY pour économiser de l'eau. Si vous utilisez un adoucissant textile avec l'un ou l'autre de ces cycles, vous devez alors sélectionner l'option FABRIC SOFTENER (adoucissant textile) ou EXTRA RINSE (rinçage supplémentaire). Avec l'une ou l'autre de ces options, le cycle se termine par un rinçage en profondeur et non par un rinçage par vaporisation. À défaut de sélectionner l'une de ces options, vous obtiendrez des performances médiocres avec votre adoucissant textile.

Compartiment à javellisant liquide

Le distributeur de javel est un compartiment séparé situé à l'avant gauche de l'ouverture de la cuve. Utilisez ce compartiment pour distribuer l'eau de javel au moment approprié durant le cycle de lavage.

- N'ajoutez aucun javellisant non décolorant dans ce compartiment, qu'il soit liquide ou en poudre. Le compartiment Javel est conçu pour distribuer uniquement de l'eau de javel chlorée liquide. Les javellisants non décolorants liquides ou en poudre ne seront pas distribués correctement.
- Conformez-vous aux recommandations du fabricant lorsque vous ajoutez le javellisant. Ne dépassez pas la ligne de remplissage maximum car cela déclencherait la distribution immédiate de la Javel et endommagerait les tissus. L'utilisation excessive de Javel peut endommager les tissus. Trop de javellisant peut endommager les tissus.
- Ne versez jamais de javellisant non dilué directement dans la brassée ou dans le tambour. Vous pourriez endommager les tissus.

⚠ ADVERTENCIA

No mezclar el blanqueador clorado con amoníaco o ácidos como vinagre u otros productos para eliminar el óxido y otro tipo de suciedades. Mezclar productos químicos como estos puede producir gas que podría causar la muerte. Añada en el dispensador del blanqueador la cantidad de blanqueador clorado líquido y sin diluir recomendado por el fabricante. Durante la parte final del ciclo de lavado, el blanqueador saldrá completamente del dispensador en dos pasos sucesivos aplicándose a la ropa, con un aclarado final del dispensador para evitar que queden restos y afecten a lavados sucesivos. El líquido que queda en el dispensador al final del ciclo es agua, no blanqueador. Para evitar la salida no intencionada de blanqueador, nunca añada más producto del indicado en el nivel máximo del dispensador.

MODE D'EMPLOI

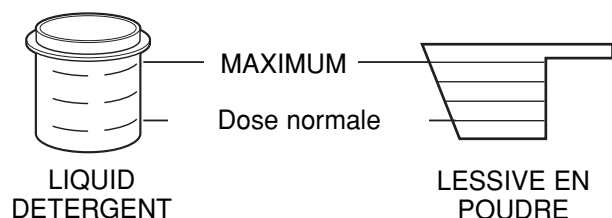
DETERGENT AMD DISPENSER USE

ATTENTION:

- Ne chargez pas d'éléments sur la cuve. Le non-respect de cet avertissement peut se traduire par des fuites ou des dommages sur les étoffes
- Utilisez les cycles encombrant/litère pour des éléments gonflants ou non-absorbants comme un oreiller ou un édredon. Le non-respect de cet avertissement peut se traduire par des fuites.

TRIAGE DES BRASSÉES

Les lessives HE (Haute Efficacité) produisent moins de mousse et se dissolvent plus efficacement, ce qui améliore le lavage et le rinçage tout en contribuant à maintenir l'intérieur de la machine propre. L'utilisation de lessive non HE peut entraîner une production excessive de mousse et produire des résultats peu satisfaisants, ce qui peut engendrer des codes d'erreur, faire échouer le cycle de lavage et endommager la machine.



Pour obtenir de bons résultats, mesurez toujours la quantité de lessive utilisée à l'aide du doseur fourni par le fabricant de la lessive.

La dose normale requise est inférieure de moitié à la dose maximale recommandée. Utilisez moins de lessive en eau douce, pour du linge légèrement sale ou une machine peu chargée. Ne dépassez jamais la dose maximale recommandée par le fabricant de la lessive.



Conçu pour être utilisé uniquement avec des lessives HE (Haute Efficacité)

IMPORTANT : Votre machine à laver est conçue pour être utilisée uniquement avec des lessives Haute Efficacité (HE). La formule des lessives HE est tout spécialement adaptée aux machines à laver à chargement frontal et contient des agents qui réduisent la production de mousse. Recherchez toujours le symbole HE lors de vos achats de lessive.

IMPORTANT : les lessives ne sont pas toutes les mêmes. Une attention toute particulière doit être portée à la quantité de lessive utilisée, afin d'éviter une production excessive de mousse, un mauvais rinçage et l'accumulation de lessive sur le vêtement ou de résidus qui peuvent contribuer à la formation d'odeurs dans la machine. N'utilisez JAMAIS un doseur autre que celui fourni par le fabricant de la lessive que vous utilisez. Ne dépassez jamais la dose maximale recommandée par le fabricant de la lessive.

Même si les lessives HE soient conçues pour ce type de machines, faites particulièrement attention à la dose de lessive utilisée. Pour la plupart des machines normalement chargées, il ne faut pas utiliser plus de 1/2 à 3/4 d'une dose de lessive HE.

REMARQUE : Il faut être tout particulièrement attentif lorsqu'on utilise une lessive 2 ou 3 fois plus concentrée, car même un tout petit surdosage peut contribuer à l'apparition des problèmes indiqués ci-dessus.

REMARQUE : certaines lessives désignées comme COMPATIBLES HE peuvent ne pas donner des résultats optimaux.

Remplissage du distributeur

Pour verser de la lessive, de l'eau de Javel ou de l'adoucissant au distributeur automatique :

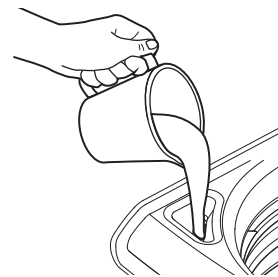
- 1 Ouvrez le tiroir du distributeur.
- 2 Versez le produit dans le compartiment adéquat.
- 3 Fermez le tiroir avant de lancer le cycle.

REMARQUE : À la fin du cycle, il est normal qu'une petite quantité d'eau reste dans les compartiments de l'eau de Javel et de l'adoucissant.

IMPORTANT : Ne placez ni ne stockez de produits tels que de la lessive, de l'eau de Javel ou de l'adoucissant liquide sur votre machine à laver ou votre sèche-linge. Essuyez immédiatement tout produit renversé. Ces produits peuvent endommager le revêtement et les commandes de la machine.

Uso de la lejía líquida en el dispensador

El dispensador de cloro automáticamente diluye y distribuye cloro líquido en el momento adecuado en el ciclo de lavado.



- 1 Compruebe las instrucciones especiales de las etiquetas de cuidado de ropa.
- 2 Mida el cloro líquido con cuidado, siguiendo las instrucciones de la botella.
 - Nunca vierta cloro puro líquido directamente sobre la ropa o en la canasta de lavado.
 - No verter cloro en polvo en el dispensador de cloro. No coloque objetos sobre el dispensador de lejía al cargar o descargar la lavadora.
 - Evite llenar demasiado o salpicaduras cuando se agrega cloro para el depósito. La capacidad máxima del dispensador de lejía es una taza por ciclo de lavado. Si lo llena demasiado, la lavadora podría liberar la lejía antes del momento adecuado. por ciclo de lavado.
- 3 Antes de iniciar el lavado, vierta la cantidad medida de cloro directamente en el dispensador de cloro. Si usted prefiere usar cloro en polvo, añádalo al cesto de lavado directamente antes de agregar la ropa.

REMARQUE: Après utilisation, vidangez le compartiment d'eau de javel avec de l'eau, puis rincez les résidus à l'aide du cycle Rinse & Spin (Rinçage et essorage).

MODE D'EMPLOI

L'ÉCRAN DE TEMPS ET D'ÉTAT

L'affichage du temps et de l'état indique le temps restant estimé et la progression du cycle.



A TEMPS RESTANT ESTIMÉ

Lorsque la touche START / PAUSE (MARCHE/PAUSE) est pressée de commencer un cycle, la machine à laver détecte automatiquement la brassée (poids) et optimise le temps de lavage en se basant sur le cycle et les options sélectionnés.

L'écran indique alors le temps restant estimé pour le cycle de lavage choisi.

REMARQUE:

- Le temps affiché est une estimation. Par exemple, le temps affiché peut s'arrêter durant une période au cours de laquelle la machine chauffe l'eau ou équilibre la charge. Dans certaines conditions d'utilisation, il se peut que la machine s'arrête de manière prolongée.
- Le temps restant est estimé sur la base de conditions normales de fonctionnement de la machine. Plusieurs facteurs extérieurs (température de la pièce, température de l'eau entrante, etc.) influent également sur la différence entre le temps estimé et le temps réel.

B TÉMOIN LUMINEUX DE L'ÉTAT DU CYCLE

Ces LEDs d'état s'allument pour indiquer quelle phase du cycle est en cours d'exécution. Un voyant clignotant indique la phase du cycle qui est active. Lorsque cette phase sera terminée, le voyant cessera de clignoter.

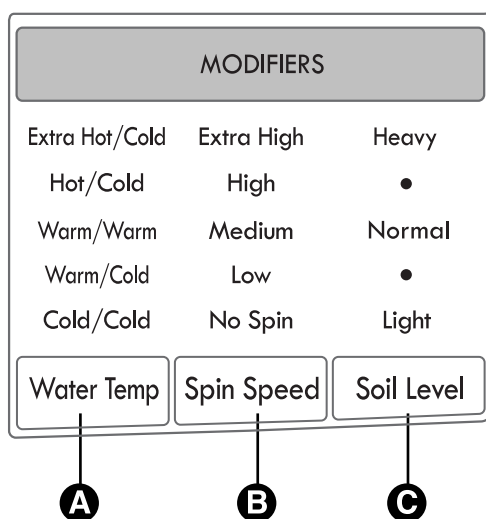
MODE D'EMPLOI

BOUTONS DE MODIFICATION DU CYCLE

Chaque cycle possède des réglages préprogrammés qui se sélectionnent automatiquement. Vous pouvez également personnaliser les réglages à l'aide des boutons de configuration de cycle. Appuyez sur le bouton correspondant à cette option pour voir et sélectionner d'autres paramètres.

La machine à laver ajuste automatiquement le niveau d'eau au type et à la taille de la brassée pour de meilleurs résultats et une efficacité maximale. La haute efficacité de ce produit peut demander des quantités d'eau bien inférieures aux quantités habituelles. C'est normal et les résultats de lavage/rinçage n'en seront pas altérés.

REMARQUE : pour protéger vos vêtements, les différentes options de température de lavage/rinçage, vitesse d'essorage, niveau de saleté ou autres ne sont pas toutes disponibles avec chacun des cycles. Un indicateur sonore retentira et le voyant ne s'allumera pas si la sélection n'est pas possible. Voir le tableau à la page 14 pour plus de détails.



A WATER TEMP (Température de l'eau)

Permet de régler la température de lavage et de rinçage du cycle sélectionné. Appuyez sur le bouton "WATER TEMP" jusqu'à ce que le paramètre désiré soit mis en surbrillance.

- Votre machine à laver comporte un élément chauffant pour augmenter la température de l'eau jusqu'à des températures extra chaudes. La performance du lavage en est améliorée lorsque vous optez pour les paramètres normaux de chauffage de l'eau.
- Sélectionnez la température appropriée pour le type de brassée souhaitée. Suivez les directives de l'étiquette d'entretien du tissu pour de meilleurs résultats.
- Les rinçages à l'eau tiède sont réglés à 86°F (30°C).
- Après un rinçage à l'eau tiède, les vêtements sont plus secs qu'après un rinçage à l'eau froide, mais le rinçage à l'eau tiède entraîne une consommation accrue d'énergie et froisse davantage les vêtements.
- Un rinçage à l'eau froide consomme moins d'énergie. La température réelle de rinçage dépend de la température de l'eau froide de l'arrivée d'eau.

B SPIN SPEED (vitesse d'essorage)

Vitesses de rotation supérieur extrait plus d'eau des vêtements, la réduction du temps de séchage et d'économie d'énergie.

Appuyez sur le bouton SPIN SPEED (vitesse d'essorage) jusqu'à ce que le paramètre désiré soit mis en surbrillance. Certains tissus délicats exigent une vitesse d'essorage plus lente.

C SOIL LEVEL (niveau de saleté)

Ajustez le cycle sélectionné pour permettre davantage de temps pour les vêtements très sales ou moins de temps pour les vêtements peu sales. Appuyez sur le bouton SOIL LEVEL (niveau de saleté) jusqu'à ce que l'indicateur s'allume pour le réglage souhaité.

BOUTONS D'OPTIONS DE CYCLE

Votre machine à laver vous offre plusieurs options de cycle supplémentaires pour personnaliser les Cycles et ainsi satisfaire vos besoins individuels.

- 1 Mettez en marche la machine à laver et tournez le bouton selecteur de cycle au cycle désiré.
- 2 Utilisez les boutons de réglage de cycle pour ajuster les paramètres de ce cycle.
- 3 Appuyez sur le ou les boutons d'options de cycles afin de sélectionner les paramètres que vous aimeriez ajouter. Les boutons d'options de cycles s'allumeront lorsqu'ils sont sélectionnés. Si l'option sélectionnée n'est pas autorisée pour le cycle choisi, la sonnerie retentira deux fois pour vous en informer. Appuyez sur le bouton START/PAUSE (MARCHE/PAUSE) pour démarrer le cycle.
- 4 Appuyez sur le bouton START/PAUSE (MARCHE/PAUSE) pour démarrer le cycle. La machine à laver se mettra automatiquement en route après un court délai de verrouillage de la porte.

REMARQUE : Pour protéger vos vêtements, toutes les options ne sont pas disponibles en combinaison avec tous les cycles.

Pour plus de détails, consultez le GUIDE DES CYCLES.

REMARQUE : Si on n'appuie pas sur le bouton START/PAUSE (MARCHE/PAUSE) dans un délai de 4 minutes, le dispositif de contrôle s'éteindra et les réglages seront perdus.

STAIN TREAT (TRAITEMENT DES TACHES)

Stain Treat

Utilisez cette option pour des lessives comportant différents types de salissures. Grâce à cette option, la

température de l'eau est atteinte en trois étapes pour de meilleures performances de nettoyage. Pendant l'étape finale de lavage, l'eau est chauffée et maintenue à la température la plus élevée pour ce cycle durant 10 minutes.

REMARQUE : Vous obtiendrez de meilleurs résultats avec des charges de linge plus petites (inférieure à 3 kilos (6 lbs)).

SAVE ENERGY

Save Energy +

Cette option permet d'économiser de l'énergie. En effet, l'utilisation de températures plus froides et de modes

de fonctionnement différents permettent de maintenir les performances de la laveuse tout en réduisant la consommation d'énergie. SAVE ENERGY + est uniquement disponible avec les cycles et réglages suivants :

- Cycle NORMAL/CASUAL avec température de l'eau HOT/COLD
- Cycle NORMAL/CASUAL avec température de l'eau WARM/COLD
- Cycle HEAVY DUTY avec température de l'eau HOT/COLD

EXTRA RINSE (RINÇAGE SUPPLÉMENTAIRE)

Extra Rinse
Water Plus

Esta opción añadirá un ciclo de enjuague adicional al ciclo seleccionado. Utilice esta opción para ayudar en la eliminación de los

restos de detergente o blanqueador de las prendas. Al pulsar dos veces el botón de ENJUAGUE ADICIONAL añadirá dos enjuagues adicionales al ciclo. La LED doit être allumée en permanence pour un ou deux rinçages supplémentaires.

- 1 Pulse el botón de encendido/apagado para encender la lavadora.
- 2 Gire el botón de selección de ciclo para elegir el ciclo deseado.
- 3 Pulse los botones de modificación de ciclo para cambiar los ajustes deseados.
- 4 Appuyez sur la touche RINÇAGE SUPPLÉMENTAIRE une fois ou deux pour sélectionner un ou deux rinçages supplémentaires. La LED doit être allumée. • Si vous annulez le rinçage supplémentaire, appuyez trois fois sur le bouton EXTRA RINSE.
- 5 Pulse el botón de INICIO/PAUSA para iniciar el ciclo.

REMARQUE : Il n'est pas possible de sélectionner l'option de rinçage approfondi EXTRA RINSE pendant le cycle vidange et essorage.

WATER PLUS (EAU SUPPLÉMENTAIRE)

Extra Rinse
Water Plus

Sélectionnez cette option (WATER PLUS) pour ajouter un surplus d'eau aux cycles

de lavage et de rinçage afin d'obtenir de meilleurs résultats, spécialement avec les articles volumineux et lourds. Appuyez et maintenez enfoncé le bouton EXTRA RINSE pendant 3 secondes afin d'activer ou de désactiver la fonction WATER PLUS. Lorsque vous sélectionnez WATER PLUS (AJOUT D'EAU), la LED clignote.

- 1 Pulse el botón de INICIO/PAUSA durante el ciclo de lavado o aclarado. (No está disponible en el ciclo de centrifugado)
- 2 Presione y sostenga ENJUAGUE ADICIONAL.
- 3 Pulse el botón de INICIO/PAUSA para iniciar el ciclo.
- 4 Si quiere utilizar adicionalmente la opción MÁS AGUA, repita los pasos 1 a 3.

REMARQUE : Si la lavadora alcanza el nivel máximo de agua, aunque pulsemos el botón MAS AGUA, éste no funcionará.

REMARQUE : No puede seleccionar la opción WATER PLUS durante los ciclos SANITARY, TUB CLEAN y BULKY/BEDDING.

CLEAN WASHER (NETTOYAGE DU LAVE-LINGE)

Clean Washer

Une accumulation de résidus de détergent peut se produire dans la cuve de la machine à laver au fil du temps et produire

une odeur de moisissure. Le cycle CLEAN WASHER (Nettoyage du lave-linge) est tout spécialement conçu pour éliminer les accumulations à l'aide d'eau de Javel ou d'un autre produit nettoyant spécialement conçu pour le nettoyage des machines à laver à chargement frontal. Le cycle CLEAN WASHER (Nettoyage du lave-linge) doit être lancé une fois par mois voire plus souvent dans des conditions d'utilisation intensive ou en cas de présence d'odeurs dans la machine. Voir la page 83 pour plus de détails.

BOUTONS D'OPTIONS DE CYCLE (cont.)

ADD GARMENTS (AJOUT DE LINGE)



Le témoin "ADD A GARMENT" (AJOUT DE LINGE) s'allume durant la toute première partie du cycle de lavage pour indiquer qu'il est possible

de mettre le cycle en pause et d'ajouter d'autres articles en toute sécurité. Il n'est pas nécessaire d'appuyer sur le bouton puisque le témoin est commandé par la laveuse. (Voir CARILLON ci-dessous) Dès que le témoin "ADD A GARMENT" (AJOUT DE LINGE) s'éteint, vous ne devez plus ajouter d'autres articles pour le lavage. En procédant ainsi, vous risquez d'obtenir des résultats médiocres car la laveuse n'est pas en mesure de compenser l'ajout de linge.

- 1 Pulse el botón de INICIO/PAUSA para pausar la lavadora.
- 2 Abra la cubierta después de su desbloqueo.
- 3 Añada las prendas adicionales.
- 4 Cierre la cubierta.
- 5 Appuyez sur la touche START/PAUSE (DÉPART/PAUSE). Le cycle redémarre après le verrouillage du couvercle.

CHIME (CARILLON)



Vous réglez le volume du carillon à l'aide de la touche ADD A GARMENT (AJOUT DE LINGE). Appuyez sur la

touche pour modifier le volume du carillon. Le carillon retentira avec le nouveau volume à chaque pression sur la touche. Si vous n'entendez pas le carillon, c'est qu'il est désactivé. Les réglages du volume sont les suivants LOW - HIGH - OFF (BAS - ÉLEVÉ - ARRÊT).

MY CYCLE (MON CYCLE)



L'option MY CYCLE (MON CYCLE) permet d'enregistrer un programme de lavage personnalisé pour le réutiliser.

Le permite guardar la temperatura favorita, la velocidad de centrifugado, el nivel de suciedad y otras opciones aplicables a un ciclo que después se activan con sólo pulsar un botón.

REMARQUE: Vous ne pouvez enregistrer un réglage que pour un cycle à la fois.

Pulse durante varios segundos el botón MY CYCLE para sobrescribir cualquier programa personalizado guardado previamente.

Pour enregistrer un mon cycle:

- 1 Presione el botón de encendido para accionar la lavadora.
- 2 Gire el botón de selección de ciclo para elegir el ciclo deseado.
- 3 Pulse los botones de modificación de ciclo para cambiar los ajustes deseados.
- 4 Pulse el botón de opción de ciclo para cambiar las opciones deseadas.
- 5 Pulse et maintenez le bouton de mon cycle

Pour utiliser un mon cycle:

- 1 Presione el botón de encendido para accionar la lavadora.
- 2 Pulse el botón MY CYCLE. Se mostrarán los ajustes guardados.
- 3 Pulse el botón de INICIO/PAUSA para iniciar el ciclo.

REMARQUE : Vous pouvez régler "MY CYCLE" (mon cycle) en même temps que n'importe quel autre cycle. Toutefois, dès que vous appuyez sur une autre touche, le témoin LED s'éteint pour vous indiquer que les réglages ne sont plus ceux de votre cycle enregistré.

FABRIC SOFTENER(ADOUCISSANT)



L'adoucissant est introduit dans le tambour durant le rinçage final. Sélectionnez le bouton FABRIC SOFTENER

(adoucissant) pour changer le type de rinçage final, de rinçage à pulvérisation à rinçage étendu.

REMARQUE : Les cycles NORMAL/CASUAL et HEAVY DUTY utilisent un rinçage spécifique JET SPRAY pour économiser de l'eau. Si vous utilisez un adoucissant textile avec l'un ou l'autre de ces cycles, vous devez alors sélectionner l'option FABRIC SOFTENER (adoucissant textile) ou EXTRA RINSE (rinçage supplémentaire). Avec l'une ou l'autre de ces options, le cycle se termine par un rinçage en profondeur et non par un rinçage par vaporisation. Bien que la distribution de l'adoucissant soit effectuée, le fait de ne pas sélectionner l'une des options donnera des résultats médiocres avec l'adoucissant textile.

SOAK (TREMPAGE)




Utilisez l'option SOAK (TREMPAGE) pour faire tremper du linge et permettre l'élimination de tâches difficiles sur

les tissus. Cette option permet de faire tremper le linge pendant 180 minutes (maximum) avant le démarrage du cycle sélectionné. À l'issue du temps de trempage, le cycle sélectionné débute en utilisant l'eau déjà présente dans la cuve.

MODE D'EMPLOI


CYCLE OPTION BUTTONS (cont.)

DELAY WASH (DÉMARRAGE DIFFÉRÉ)

 Une fois le cycle et autres paramètres sélectionnés, appuyez sur ce bouton pour retarder le démarrage du cycle de lavage. Chaque fois que vous appuyez sur ce bouton, le délai de démarrage augmente d'une heure, pour un maximum de 20 heures. Une fois réglée la temporisation souhaitée, appuyez sur le bouton START/PAUSE (MARCHE/PAUSE) pour la lancer.


REMARQUE : Si vous n'appuyez pas sur le bouton START/PAUSE (MARCHE/PAUSE) dans les 4 minutes de la sélection d'un cycle, la machine à laver s'éteint automatiquement.

DRAIN & SPIN (VIDANGE ET ESSORAGE)

 Utilisez cette option pour évacuer l'eau de la cuve et essorer le linge. Cette fonction est utile, par exemple, si le cycle de lavage a été interrompu par une panne de courant. Vous pouvez régler la vitesse d'essorage et l'adapter au type de linge.

- 1 Appuyez sur la touche START/PAUSE (DÉPART/PAUSE) pour mettre la laveuse en marche.
- 2 Appuyez sur la touche DRAIN & SPIN (VIDANGE ET ESSORAGE).
- 3 Appuyez sur la touche SPIN SPEED (VITESSE D'ESSORAGE) pour sélectionner la vitesse d'essorage souhaitée.
- 4 Appuyez sur la touche START/PAUSE (DÉPART/PAUSE).

CONTROL LOCK

 Use this option to prevent unwanted use of the washer or to keep cycle settings from being changed while the washer is operating. Press and hold the DRAIN & SPIN button for 5 seconds to activate or deactivate CONTROL LOCK. Once CONTROL LOCK is selected, the display will alternate between CL and the remaining cycle time. And all controls except CONTROL LOCK and POWER buttons will be disabled.

NOTE: The controls remain locked even after the cycle ends or if there is a power failure. To deactivate CONTROL LOCK, press the POWER button to turn the washer on, then press and hold the DRAIN & SPIN button for 5 seconds.

FONCTION SPÉCIALE DE SÉCURITÉ

Cette laveuse est équipée d'un dispositif spécialement conçu pour rendre votre appareil aussi sûr que possible. Si vous mettez en pause ou arrêtez la laveuse alors qu'il reste encore de l'eau dans la cuve, la laveuse évacuera automatiquement l'eau après 4 minutes, par sécurité pour les enfants, en réduisant la possibilité d'avoir encore de l'eau dans la cuve. Si vous interrompez la laveuse pendant trois minutes alors qu'il y a encore de l'eau dans la cuve, une alarme retentit pour vous avertir que la laveuse est sur le point de vidanger l'eau présente dans la cuve. Vous pouvez remettre en marche la laveuse à ce stade, si besoin.

Si la laveuse est en pause pendant 4 minutes, l'afficheur s'éteint et tous les réglages du cycle sont perdus. Après trois minutes supplémentaires, l'alarme retentit pour vous avertir que la laveuse est sur le point de vidanger l'eau présente dans la cuve. Vous pouvez mettre en marche votre laveuse et utiliser un autre cycle, si nécessaire.

Si aucune action n'est entreprise, le code erreur "dr" doit s'afficher et l'eau doit s'évacuer de la cuve. Dès que la laveuse commence à évacuer l'eau, les commandes sont désactivées et le processus de vidange ne peut pas être interrompu.

Une fois l'eau complètement évacuée, la laveuse s'arrête.

REMARQUE : dans le cas peu probable d'un problème avec la laveuse provoquant l'affichage d'un code erreur, la laveuse fait retentir une alarme après trois minutes et vidange l'eau après 4 minutes. Toutefois, seul le code erreur d'origine doit s'afficher.

ENTRETIEN ET NETTOYAGE



AVERTISSEMENT: Afin de réduire les risques d'incendies, de chocs électriques ou de blessures aux personnes, lisez et suivez l'intégralité du présent manuel, y compris les Consignes importantes de sécurité, avant de faire fonctionner la machine à laver.

- **Débranchez votre machine à laver avant de la nettoyer pour éviter le risque d'électrocution.** Tout non-respect de cet avertissement peut entraîner des blessures graves, un incendie, une électrocution ou la mort.
- **N'utilisez jamais de produits chimiques puissants, de nettoyeurs abrasifs ou de dissolvants pour nettoyer votre machine à laver.** Ils endommageront sa surface.

NETTOYAGE RÉGULIER

Nettoyage de l'extérieur

Un entretien approprié de votre lave-linge peut prolonger sa durée de vie. L'extérieur du sèche-linge peut être nettoyé avec de l'eau chaude et un détergent ménager doux non abrasif. Essuyez immédiatement les coulées à l'aide d'un chiffon doux et humide.

IMPORTANT: n'utilisez pas d'alcool dénaturé, de solvants ni de produits similaires. N'utilisez jamais de laine d'acier ou de produits nettoyants abrasifs, car ils risquent d'endommager la surface de l'appareil.

Entretien et nettoyage de l'intérieur

Utilisez un chiffon doux ou un torchon pour nettoyer les contours d'ouverture de la porte et la partie en verre. Retirez toujours les vêtements du lave-linge dès que le cycle est terminé. Si vous laissez des articles humides dans le lave-linge, vous risquez de favoriser la formation de plis, un transfert de couleur, et une odeur désagréable. Ce lave-linge comporte un cycle spécial, CLEAN WASHER (nettoyage du lave-linge), qui permet d'éliminer les résidus de lessive qui peuvent s'accumuler à l'intérieur du tambour ou de la cuve, et entraîner de la rouille ou une odeur de moisi.

Lisez attentivement ces instructions avant de démarrer le cycle CLEAN WASHER (nettoyage du lave-linge).

- 1 Ouvrez la porte et videz complètement le tambour.
- 2 Ouvrez le bac à produits.
- 3 Versez un liquide de blanchiment ou un produit nettoyant. Vous pouvez également utiliser des produits nettoyants en poudre ou en tablettes spécialement conçus dans cette optique.
(**REMARQUE:** n'ajoutez ni lessive ni adoucissant dans le bac à produits lorsque vous utilisez le cycle CLEAN WASHER (nettoyage du lave-linge)).
 - Si vous utilisez un agent de blanchiment liquide au chlore (eau de Javel) Ajoutez l'agent de blanchiment liquide au chlore dans le compartiment d'agent de blanchiment.
(**NOTA:** no rebase la línea de llenado máximo y no vierta lejía líquida sin diluir directamente dentro del tambor de lavado).
 - Si vous utilisez un nettoyant en poudre, retirez le godet spécial lessive liquide et ajoutez le nettoyant en poudre dans le compartiment du bac réservé au lavage.
 - Si vous utilisez un nettoyant en tablettes Introduisez les tablettes directement dans le tambour.
(**REMARQUE:** ne mettez pas de tablettes dans le bac à produits.)
- 4 Refermez le bac et la porte du lave-linge.
- 5 Sélectionnez le cycle CLEAN WASHER (nettoyage du lave-linge) et appuyez sur la touche START/PAUSE (Départ/Pause).

REMARQUE: Il est recommandé d'utiliser le cycle CLEAN WASHER (nettoyage du lave-linge) une fois par mois.

Si vous remarquez de la rouille ou sentez une odeur de moisi, utilisez le cycle CLEAN WASHER (nettoyage du lave-linge) pendant 3 semaines consécutives.

Lorsque le cycle CLEAN WASHER (nettoyage du lave-linge) est terminé ou quand le lave-linge n'est pas utilisé, laissez la porte du lave-linge ouverte pour faciliter l'aération et laisser sécher l'intérieur du lave-linge.

ENTRETIEN ET NETTOYAGE

NETTOYAGE RÉGULIER (suite)

Entreposage du lave-linge

Si votre lave-linge reste inutilisé pendant une période prolongée et se trouve à un endroit susceptible d'être exposé à des températures négatives :

- 1 Fermez les robinets d'arrivée d'eau.
- 2 Dévissez les tuyaux d'arrivée d'eau et videz-les.
- 3 Branchez le cordon d'alimentation sur une prise électrique correctement mise à la terre.
- 4 Versez 3,8 litres d'antigel non toxique pour camping-car dans le tambour de lavage vide. Fermez la porte.
- 5 Lancez le cycle d'essorage et laissez le lave-linge tourner pendant 1 minute afin d'évacuer toute l'eau.
REMARQUE: l'antigel ne sera pas totalement évacué.
- 6 Débranchez le cordon d'alimentation, séchez l'intérieur du tambour à l'aide d'un chiffon doux et fermez la porte.
- 7 Retirez les godets du bac à produits. Videz l'eau présente dans les compartiments et séchez-les.
- 8 Entrez le lave-linge en position verticale.
- 9 Pour éliminer l'antigel du lave-linge après la période hivernale, lancez un cycle complet en utilisant de la lessive. **N'ajoutez pas de linge !**

Élimination des traces de calcaire

Si vous habitez dans une région où l'eau est dure, du calcaire peut se former sur les composants internes du lave-linge.

L'utilisation d'un adoucisseur d'eau est recommandée dans les régions où l'eau est extrêmement calcaire. Si vous utilisez un détartrant, assurez-vous qu'il convient à un usage en lave-linge, et lancez le cycle CLEAN WASHER (nettoyage du lave-linge) avant de laver des vêtements.

Les traces de calcaire et autres dépôts peuvent être éliminés du tambour à l'aide d'un nettoyant pour acier inoxydable.

N'utilisez jamais de laine d'acier ou de produits nettoyants abrasifs, car ils risquent d'endommager la surface de l'appareil.

Laissez la porte ouverte

Laissez la porte ouverte après utilisation pour maintenir la cuve propre.

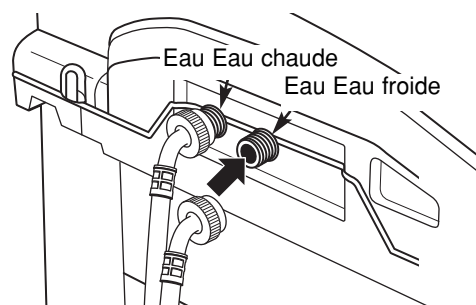
ENTRETIEN

Nettoyage des filtres d'arrivée d'eau

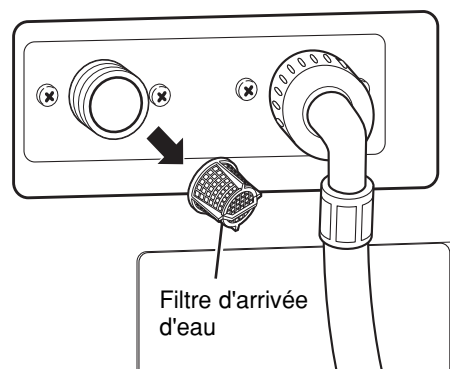
Si le lave-linge détecte que l'eau ne pénètre pas à l'intérieur du bac à produits, un message d'erreur apparaît sur l'afficheur.

Si vous habitez dans une région où l'eau est dure, cela peut être dû au fait que les filtres d'arrivée d'eau sont obstrués.

IMPORTANT: soyez extrêmement prudent lorsque vous retirez et nettoyez les filtres. Si les filtres ne peuvent pas être nettoyés ou sont endommagés, ne faites pas fonctionner le lave-linge sans les filtres d'arrivée d'eau. Contactez le service après-vente KENMORE ou un technicien KENMORE qualifié.



IMPORTANT: utilisez UNIQUEMENT les tuyaux d'arrivée d'eau fournis par KENMORE avec ce lave-linge. Si vous utilisez d'autres tuyaux, vous n'avez aucune garantie qu'ils soient adaptés ou fonctionnent correctement. Vous risquez de ne pas pouvoir les serrer correctement, ce qui pourrait provoquer des fuites. Les dommages consécutifs au lave-linge ou à l'habitation ne seront pas couverts par la garantie de KENMORE.



Retirez les filtres des arrivées d'eau avec précaution, et faites-les tremper dans du vinaigre blanc ou un détartrant, en suivant les instructions du fabricant. Rincez-les abondamment avant de les réinstaller. Remettez les filtres bien en place et revissez les tuyaux d'arrivée d'eau. Ne faites pas fonctionner le lave-linge sans les filtres d'arrivée d'eau.

ENTRETIEN ET NETTOYAGE

LIMPIEZA DE LA LAVADORA

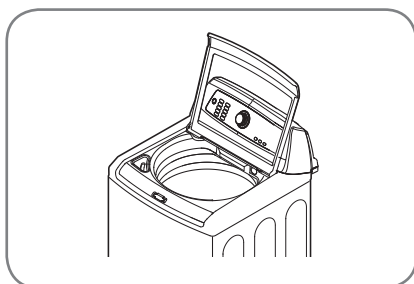
Usó correcto de los detergentes

Usar demasiado detergente es una causa frecuente de problemas de lavandería. Hoy en día los detergentes están formulados para ser eficaces y sin espuma visible. Asegúrese de leer cuidadosamente y seguir las recomendaciones del fabricante sobre la cantidad de detergente para uso en su lavado.

Puede usar menos detergente si usted tiene agua suave, una carga menor o una carga poco sucia.

REMARQUE : Use sólo detergente de alta eficacia bajo en espuma, como Tide® HE.

Cuidado y limpieza de la lavadora



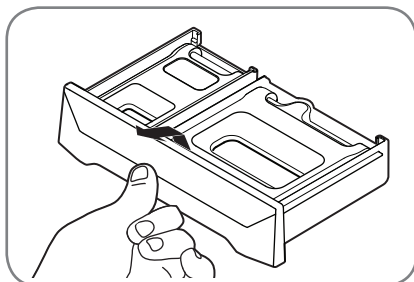
Couvercle: nettoyez l'intérieur et l'extérieur avec un chiffon humide, puis essuyez avec un chiffon doux.

Extérieur: essuyez immédiatement les coulées à l'aide d'un chiffon humide. Ne heurtez pas la surface ou l'afficheur avec des objets pointus.

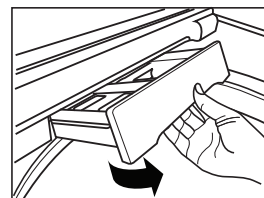
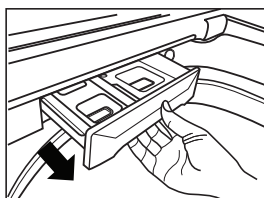
Déplacement et entreposage: demandez à un technicien qualifié de vider l'eau des tuyaux d'arrivée d'eau et du conduit d'évacuation. N'entreposez pas votre lave-linge dans un lieu exposé aux intempéries.

Vacance: veillez à fermer les robinets d'eau. En cas de températures négatives, videz l'eau des tuyaux.

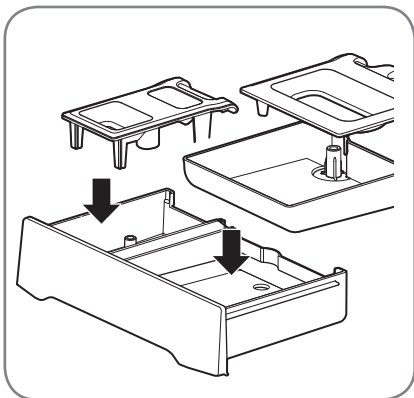
Bac à produits: une accumulation de lessive ou d'adoucissant peut se former dans le bac à produits. Les résidus doivent être éliminés une à deux fois par mois.



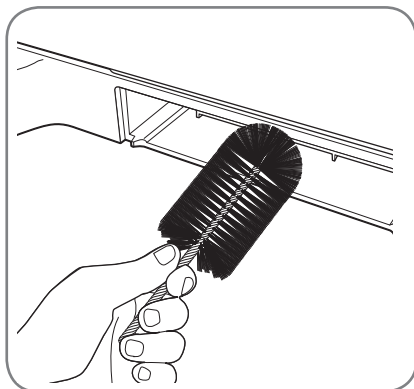
- 1 Retirez le bac en tirant sur la poignée jusqu'à ce qu'il se bloque. Soulevez l'avant du bac et sortez-le complètement.



- 2 Retirez les godets des deux compartiments. Rincez-les ainsi que le bac à l'eau chaude pour éliminer les traces de produits de lavage.



- 3 Pour nettoyer l'ouverture du bac, utilisez une petite brosse non métallique. Éliminez tous les résidus à l'intérieur de la cavité.



- 4 Vuelva a colocar los insertos de los compartimentos adecuados y vuelva a colocar el cajón. Placez le tiroir dans l'ouverture selon un angle comme illustré ci-dessus, puis abaissez-le et faites-le glisser dans son emplacement.

DÉPANNAGE

RUIDOS NORMALES QUE PUEDE ESCUCHAR

Il est possible que vous entendiez les sons suivants pendant que le lave-linge fonctionne. Cela est tout à fait normal.

Chasquidos:

- La cerradura de la puerta cuando el relé de la cerradura de la puerta se abre.
- La lavadora hará una serie de chasquidos mientras se cambia el modo de limpieza.

Ruido de alta frecuencia:

Le panier de lavage tourne plus vite pour éliminer l'humidité du linge.

Pulverización o silbidos:

La pulverización de agua o circulación durante el ciclo.

Zumbido o gorgoteo:

La bomba de desagüe de bombeo de agua de la lavadora al final de un ciclo.

Sonido del agua salpicando:

Un liquide dans la balance annulaire autour du panier de lavage permet au panier de tourner en douceur. (Le lave-linge est éteint et la cuve tourne.)

Bruit d'éclaboussure pendant que la cuve tourne :

Pour obtenir un meilleur résultat de lavage avec moins d'eau, la cuve tourne parfois lorsqu'il y a encore de l'eau dedans. Durant les cycles NORMAL et HEAVY DUTY (PROGRAMME RENFORCÉ), la rotation fait que l'eau revient dans la cuve en créant ce son de chute d'eau. Ceci est normal et peut être observé par le couvercle à certains moments durant le cycle.

Son de remplissage d'eau durant un cycle :


- La laveuse s'adapte au volume et au type du linge en ajoutant de l'eau durant le cycle si nécessaire.
- La charge de lavage peut être déséquilibrée. Si la laveuse ressent un déséquilibre de charge, elle s'arrête et se remplit d'eau pour mieux répartir la charge.
- La laveuse peut répartir les ajouts de linge pour accepter une charge supplémentaire de lavage.

Un son bip retentit :

Le son bip de l'alarme signale qu'un code erreur est affiché sur l'écran. Pour plus d'informations sur le code erreur affiché, reportez-vous aux pages suivantes.


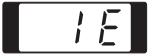




AVANT DE FAIRE APPEL AU SERVICE APRÈS-VENTE

Votre lave-linge est équipé d'un système de détection d'erreur automatique lui permettant d'identifier et de diagnostiquer les problèmes dès leur apparition. Si votre lave-linge ne fonctionne pas correctement ou ne fonctionne pas du tout, effectuez les vérifications suivantes avant de faire appel au service après-vente.

Problème	Causes possibles	Solutions
Bruit de cliquetis	<ul style="list-style-type: none"> • Des objets étrangers tels que des clés, des pièces de monnaie ou des épingles se trouvent peut-être dans le tambour ou dans la pompe. 	<ul style="list-style-type: none"> • Arrêtez le lave-linge et vérifiez le tambour et le filtre de vidange pour retirer tout objet étranger. Si le bruit persiste après le redémarrage du lave-linge, appelez le service après-vente.
Bruit sourd	<ul style="list-style-type: none"> • Les charges de linge importantes peuvent produire un bruit sourd. 	<ul style="list-style-type: none"> • Cela est normal. Si le bruit persiste, c'est que le lave-linge est probablement déséquilibré. Arrêtez le lave-linge et répartissez la charge de linge.
Vibration	<ul style="list-style-type: none"> • Il est possible que la charge de linge soit répartie inégalement dans le tambour. • Les pieds de mise à niveau ne reposent peut-être pas fermement sur le sol. • Le sol n'est pas suffisamment rigide. 	<ul style="list-style-type: none"> • Arrêtez le lave-linge et répartissez la charge de linge. • Réglez les pieds de mise à niveau. Assurez-vous que les quatre pieds reposent fermement sur le sol lorsque le lave-linge est en cours d'essorage. • Vérifiez que le sol est solide et ne fléchit pas. Reportez-vous à la partie "Sol" de la section Installation.
Fuite d'eau autour du lave-linge	<ul style="list-style-type: none"> • Un tuyau d'arrivée d'eau est desserré au niveau du robinet ou du lave-linge. • Les canalisations sont bouchées. • Des articles volumineux (oreillers, couvertures...) débordent de la cuve. 	<ul style="list-style-type: none"> • Vérifiez les tuyaux. Vérifiez et resserrez les branchements des tuyaux. • Débouchez la canalisation. Contactez un plombier si nécessaire. • Vérifiez le cycle. Si vous lavez des articles volumineux, choisissez le cycle BULKY/BEDDING. • Arrêtez le lave-linge et vérifiez la disposition de la charge. Répartissez les articles volumineux dans la cuve.
Formation de mousse excessive	<ul style="list-style-type: none"> • Lessive en quantité excessive ou inadaptée. 	<ul style="list-style-type: none"> • Réduisez la quantité de lessive utilisée ou utilisez une lessive à faible pouvoir moussant.  Utilisez uniquement une lessive concentrée.


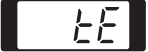


DÉPANNAGE

AVANT DE FAIRE APPEL AU SERVICE APRÈS-VENTE (suite)

Problème	Causes possibles	Solutions
<p>L'eau du lave-linge s'évacue lentement ou pas du tout, ou l'écran indique :</p> 	<ul style="list-style-type: none"> • Filtre de la pompe de vidange engorgé. • Flexible d'évacuation tordu, étranglé ou engorgé. • Pompe de vidange pleine. 	<ul style="list-style-type: none"> • Vérifiez et nettoyez le filtre de la pompe de vidange. • Asegúrese de que la manguera de desagüe no presente ninguna obstrucción, deformación, etc.y que no esté pinzada en la parte trasera o con la lavadora. • Appelez pour obtenir de l'aide.
<p>Le lave-linge remplit l'eau lentement ou pas du tout, ou l'écran indique :</p> 	<ul style="list-style-type: none"> • Les robinets d'arrivée d'eau ne sont pas entièrement ouverts. • Les flexibles de conduite d'eau sont entortillés, pincés ou pliés. • Les filtres d'entrée d'eau sont bouchés. • La pression de l'eau au robinet ou dans la maison est trop faible. 	<ul style="list-style-type: none"> • Assurez-vous que les robinets d'eau soient complètement ouverts. • Assurez-vous que les flexibles ne soient pas entortillés ou pincés. Procédez avec précaution lorsque vous déplacez le lave-linge. • Nettoyez les filtres de remplissage. Voir la section Entretien et nettoyage. • Vérifiez un autre robinet de la maison pour vous assurer que la pression d'eau de votre maison est adaptée.
<p>Impossible de mettre en marche le lave-linge</p>	<ul style="list-style-type: none"> • Le cordon d'alimentation n'est pas correctement raccordé. • Le fusible a grillé, le disjoncteur s'est déclenché, ou une coupure de courant s'est produite. 	<ul style="list-style-type: none"> • Assurez-vous que la prise est correctement raccordée à une prise à 3 broches mise à la terre (120 V c.a., 60 Hz). • Réenclenchez le disjoncteur ou remplacez le fusible. N'augmentez pas la capacité du fusible. Si le problème est une surcharge du circuit, faites-le corriger par un électricien qualifié.
<p>L'écran affiche :</p> 	<ul style="list-style-type: none"> • La porte n'est pas correctement fermée. 	<ul style="list-style-type: none"> • Assurez-vous que la porte est correctement fermée, puis appuyez sur le bouton START/PAUSE (démarrer/pause). Après le démarrage d'un cycle, il est possible que le tambour prenne quelques minutes avant de tourner. Le lave-linge ne tournera pas si la porte n'est pas verrouillée. (DOOR LOCK-verrouillage de la porte, s'affichera sur l'écran) • Si la porte est fermée et verrouillée, et que le message d'erreur de porte ouverte s'affiche, veuillez contactez le service d'assistance. • Si vous appuyez sur la touche START lorsque le couvercle est ouvert, le message d'erreur "dE" s'affiche.
<p>L'écran affiche :</p> 	<ul style="list-style-type: none"> • Erreur d'interrupteur de verrouillage de la porte 	<ul style="list-style-type: none"> • Assurez-vous que la porte est correctement fermée, puis appuyez sur le bouton START/PAUSE (démarrer/pause). Le lave-linge ne tournera pas si la porte n'est pas verrouillée. (DOOR LOCK-verrouillage de la porte, s'affichera sur l'écran) • Si la porte est fermée et que le message d'erreur de verrouillage de la porte s'affiche, veuillez contactez le service d'assistance.
<p>La durée du cycle de lavage est plus longue que prévue</p>	<ul style="list-style-type: none"> • Le lave-linge ajuste automatiquement le temps de lavage en fonction de la quantité de linge, de la pression d'eau, de la température de l'eau et d'autres conditions de fonctionnement. 	<ul style="list-style-type: none"> • Cela est normal. Le lave-linge ajuste automatiquement la durée du cycle afin de fournir les meilleurs résultats pour le cycle sélectionné.
<p>L'écran affiche :</p> 	<ul style="list-style-type: none"> • Erreur de dépassement 	<ul style="list-style-type: none"> • Fermez les robinets d'eau, débranchez le lave-linge, et contactez le service d'assistance.
<p>L'écran affiche :</p> 	<ul style="list-style-type: none"> • Levier de blocage mal positionné 	<ul style="list-style-type: none"> • Débranchez le lave-linge, puis contactez le service d'assistance.

DÉPANNAGE

AVANT DE FAIRE APPEL AU SERVICE APRÈS-VENTE (suite)

Problème	Causes possibles	Solutions
L'écran affiche : 	<ul style="list-style-type: none"> • La charge est trop faible. • La charge est déséquilibrée. 	<ul style="list-style-type: none"> • Ajoutez 1 ou 2 articles similaires afin de permettre d'équilibrer la charge. • Réorganisez les articles afin d'équilibrer la charge. • Le lave-linge dispose d'un système de détection et de correction des déséquilibres. Si des articles lourds individuels ont été chargés (tapis de bain, peignoirs, etc.) et que le déséquilibre est trop important, le lave-linge effectuera plusieurs tentatives pour redémarrer le cycle de rotation/essorage. Si un déséquilibre est toujours détecté, le lave-linge s'arrêtera et le code d'erreur s'affichera.
L'écran affiche : 	<ul style="list-style-type: none"> • Erreur de thermistance 	<ul style="list-style-type: none"> • Puis contactez le service d'assistance.
L'écran affiche : 	<ul style="list-style-type: none"> • Le capteur du niveau d'eau ne fonctionne pas correctement. 	<ul style="list-style-type: none"> • Fermez les robinets d'eau, débranchez le lave-linge, et contactez le service d'assistance.
L'écran affiche : 	<ul style="list-style-type: none"> • Le circuit de protection de surcharge thermique du moteur a été déclenché. 	<ul style="list-style-type: none"> • Laissez le lave-linge reposer durant 30 minutes afin de permettre au moteur de refroidir ; puis redémarrez le cycle. Si le code d'erreur LE s'affiche toujours, débranchez le lave-linge puis contactez le service après-vente.
Coloration	<ul style="list-style-type: none"> • Ajoutez de la lessive dans le tambour du lave-linge. • Le lave-linge n'est pas immédiatement déchargé. • Ne trie pas correctement les vêtements. 	<ul style="list-style-type: none"> • Chargez les produits de lessive dans le compartiment distributeur. • Retirez toujours les articles du lave-linge dès que le cycle est terminé. • Lavez toujours les vêtements de couleur sombre séparément des vêtements de couleurs claires et blancs afin d'éviter une décoloration. Si possible, ne lavez pas les articles très sales avec des vêtements légèrement sales.
Froissement	<ul style="list-style-type: none"> • Le lave-linge n'est pas immédiatement déchargé. • Le lave-linge est surchargé. • Les flexibles d'entrée d'eau chaude et froide sont inversés. 	<ul style="list-style-type: none"> • Retirez toujours les articles du lave-linge dès que le cycle est terminé. • Le lave-linge peut être entièrement chargé, mais les articles du tambour ne doivent pas être trop serrés. La porte du lave-linge doit pouvoir se fermer facilement. • Le rinçage à l'eau chaude peut entraîner le froissement des vêtements. Vérifiez les raccords du tuyau d'admission.

REMARQUE: Lorsqu'un message d'erreur s'affiche, la cuve se vidange automatiquement après 4 minutes si aucune action n'est entreprise dans ce délai. Une alarme doit retentir 1 minute avant la vidange et l'écran doit continuer à afficher le code erreur d'origine.

DÉPANNAGE

AVANT DE FAIRE APPEL AU SERVICE APRÈS-VENTE (suite)

Problème	Causes possibles	Solutions
Le lave-linge ne fonctionne pas	• Le panneau de commande est éteint.	• Cela est normal. Appuyez sur la touche Marche/Arrêt.
	• Le lave-linge est débranché.	• Assurez-vous que le cordon d'alimentation est correctement enfoncé dans une prise en état de marche.
	• Les robinets d'eau sont fermés.	• Ouvrez complètement les robinets d'eau chaude et d'eau
	• Les commandes ne sont pas correctement réglées.	• Assurez-vous que le cycle a été correctement sélectionné, fermez le couvercle et appuyez sur la touche START/PAUSE
	• Le couvercle est ouvert et la fonction de sécurité empêche le lave-linge de se remplir et de fonctionner lorsque le couvercle est ouvert	• Fermez le couvercle et réinitialisez le cycle, en le reprenant au début si nécessaire.
	• Le fusible a sauté ou le disjoncteur s'est déclenché.	• Vérifiez le fusible et le disjoncteur. Remplacez le fusible ou réenclenchez le disjoncteur. Le lave-linge doit être branché sur un circuit dédié.
	• L'électronique doit être réinitialisée.	• Appuyez sur le bouton POWER, puis sélectionnez de nouveau le cycle désiré et appuyez sur le bouton START/PAUSE.
	• Vous n'avez pas appuyé sur la touche START/PAUSE (Départ/ Pause) après avoir choisi un cycle.	• Appuyez sur le bouton POWER, puis sélectionnez de nouveau le cycle désiré et appuyez sur le bouton START/PAUSE.
	• La pression d'eau est très faible.	• Vérifiez les autres robinets pour vous assurer que la pression d'eau dans la maison est suffisante.
• Le lave-linge est trop froid.	• Si votre lave-linge a été exposé à des températures négatives pendant une période prolongée, laissez-lui le temps de se réchauffer avant d'appuyer sur la touche Marche/Arrêt. Sinon, l'afficheur ne s'allumera pas.	
Le lave-linge ne se remplit pas correctement	• Les filtres sont obstrués ou les tuyaux d'arrivée d'eau sont peut-être entortillés.	• Assurez-vous que les filtres (les filtres bleu et orange ne doivent pas être encrassés) de l'appareil ne sont pas obstrués. Fermez les robinets d'eau et vérifiez les filtres en retirant les tuyaux d'arrivée d'eau de la machine. Voir les instructions de nettoyage du filtre à la page 84. Vérifiez que les tuyaux d'arrivée d'eau ne sont pas entortillés ou obstrués.
	• Économie d'énergie.	• Ce lave-linge est économe en énergie. En conséquence, les réglages de température de ce lave-linge peuvent être différents d'un modèle classique.
	• Arrivée d'eau insuffisante.	• Assurez-vous que l'arrivée d'eau fonctionne. Veillez à ce que les robinets d'eau soient complètement ouverts.
	• Le couvercle du lave-linge est ouvert.	• Le couvercle du lave-linge doit être fermé pour toutes les opérations du cycle de lavage. Si le couvercle est ouvert pendant que le lave-linge est en marche, toutes les fonctions s'arrêteront, y compris le remplissage d'eau.
	• Raccordement incorrect des tuyaux d'arrivée d'eau.	• Assurez-vous que les tuyaux d'arrivée d'eau sont bien accordés, à savoir le tuyau d'arrivée d'eau chaude sur le raccord pour eau chaude du lave-linge et le tuyau d'arrivée d'eau froide sur le raccord pour eau froide.
	• Optimisation du remplissage d'eau.	• Il est possible que l'eau ne recouvre pas entièrement les vêtements. Cela est normal pour ce type de lave-linge. Le remplissage d'eau est optimisé par le système pour obtenir les meilleures performances de lavage.

DÉPANNAGE

AVANT DE FAIRE APPEL AU SERVICE APRÈS-VENTE (suite)

Problème	Causes possibles	Solutions
Impossible d'évacuer l'eau restant dans la cuve	<ul style="list-style-type: none"> Le conduit d'évacuation est entortillé est placé à plus de 244 cm au-dessus du sol. 	<ul style="list-style-type: none"> Vérifiez que le conduit d'évacuation n'est pas entortillé. Vérifiez que le tuyau d'évacuation n'est pas à une hauteur supérieure à 96" (2,34 m) par rapport au bas de la laveuse.
Fuite d'eau à chaque utilisation	<ul style="list-style-type: none"> Les tuyaux d'arrivée d'eau ne sont pas installés correctement. 	<ul style="list-style-type: none"> Vérifiez les raccordements du conduit d'évacuation et des tuyaux d'arrivée d'eau pour vous assurer qu'ils sont parfaitement serrés.
Fuites d'eau	<ul style="list-style-type: none"> La lessive génère une quantité de mousse excessive. 	<ul style="list-style-type: none"> Une formation de mousse excessive peut engendrer des fuites. Elle peut être causée par le type et la quantité de lessive utilisée. Il est recommandé d'utiliser une lessive concentrée. Assurez-vous que la lessive et autres produits de lavage sont introduits dans les compartiments adéquats du bac à produits. Suivez les recommandations du fabricant de la lessive pour savoir quelle quantité utiliser, mais essayez d'en utiliser moins, notamment si vous employez un adoucisseur d'eau.
La lessive est introduite de manière incomplète ou n'est pas introduite du tout	<ul style="list-style-type: none"> Le bac à produits est obstrué à cause d'un remplissage incorrect. 	<ul style="list-style-type: none"> Assurez-vous que la lessive et autres produits de lavage sont introduits dans les compartiments adéquats du bac à produits. Si vous utilisez de la lessive liquide, assurez-vous que le godet prévu à cet effet est bien inséré dans le bac à produits. Si vous utilisez de la lessive en poudre, assurez-vous que le godet spécial lessive liquide n'est pas présent dans le bac à produits. Quel que soit le type de lessive utilisé, assurez-vous toujours que le bac à produits est bien fermé avant de démarrer le cycle.
	<ul style="list-style-type: none"> La quantité de lessive utilisée est excessive. 	<ul style="list-style-type: none"> Veillez à ne pas dépasser la quantité de lessive suggérée, conformément aux recommandations du fabricant. Vous pouvez également diluer la lessive avec de l'eau jusqu'à la ligne de remplissage maximal pour éviter d'obstruer le système. L'utilisation d'une lessive concentrée est recommandée avec ce lave-linge. REMARQUE : Utilisez toujours aussi peu de détergent que possible. Les laveuses à haute efficacité ont besoin de très peu de détergent pour aboutir à des résultats optimaux. L'usage excessif de détergent se traduira par des performances médiocres de lavage et de rinçage.
	<ul style="list-style-type: none"> Arrivée d'eau insuffisante. 	<ul style="list-style-type: none"> Make sure that the water supply is turned on. Make sure that the water faucets are turned to their completely open positions.
	<ul style="list-style-type: none"> Résidus normaux. 	<ul style="list-style-type: none"> Assurez-vous que l'arrivée d'eau fonctionne. Veillez à ce que les robinets d'eau soient complètement ouverts. Il est normal de trouver de petites quantités de résidus restant dans les compartiments du distributeur. L'accumulation de ces résidus peut gêner la distribution normale des produits. Voir les instructions de nettoyage à la page 85.
Introduction prématurée du produit de blanchiment	<ul style="list-style-type: none"> Le compartiment pour produit de blanchiment est rempli en vue d'une utilisation future. 	<ul style="list-style-type: none"> Vous ne pouvez pas remplir le compartiment pour produit de blanchiment en vue d'une utilisation future. L'eau de javel sera distribuée pour toutes les lessives.
	<ul style="list-style-type: none"> Le compartiment pour produit de blanchiment est trop rempli. 	<ul style="list-style-type: none"> Si vous remplissez trop le compartiment pour produit de blanchiment, celui-ci risque de déborder et d'être introduit de façon prématurée. Une ligne de remplissage maximal est indiquée sur le compartiment pour éviter ce problème.
Le compartiment pour produit de blanchiment est obstrué	<ul style="list-style-type: none"> Le compartiment pour produit de blanchiment n'est pas bien mis en place. 	<ul style="list-style-type: none"> Assurez-vous que le compartiment pour produit de blanchiment est correctement mis en place avant le début du cycle.
	<ul style="list-style-type: none"> Le nettoyage est insuffisant. 	<ul style="list-style-type: none"> Soulevez le capot du distributeur d'eau de javel et nettoyez le réservoir. La peluche/charpie ou d'autres débris étrangers qui se constituent au bas peuvent empêcher la distribution correcte de l'eau de javel.
Faible élimination des tâches	<ul style="list-style-type: none"> Pas de sélection des options appropriées. 	<ul style="list-style-type: none"> Des salissures plus importantes et des tâches plus résistantes peuvent nécessiter davantage de puissance de nettoyage. Sélectionnez PRE-SOAK ou STAIN TREAT pour renforcer la puissance de nettoyage du cycle sélectionné.
	<ul style="list-style-type: none"> Précédemment défini les tâches 	<ul style="list-style-type: none"> Les articles qui ont été précédemment lavés peuvent avoir des tâches qui se sont fixées. Ces tâches peuvent être difficiles à éliminer et peuvent nécessiter un lavage à la main ou un nouveau traitement pour permettre leur élimination.

Garantie limitée Kenmore Elite

Si vous avez installé, fait fonctionner et entretenu cet appareil conformément à toutes les instructions fournies avec le présent produit, si celui-ci tombe en panne en raison d'un défaut de matériel ou de fabrication dans un délai d'un an à partir de la date d'achat, appelez le 1-800-4-MY-HOME® pour convenir d'une réparation gratuite.

Si le moteur à entraînement direct (stator, rotor, capteur Hall) s'avère défectueux (matériel ou main d'œuvre) entre la seconde de l'achat et dixième année depuis la date d'achat, veuillez appeler le 1-800-4-MY-HOME® pour recevoir gratuitement un moteur de rechange. Au delà de la première année à compter de la date d'achat, les frais de main d'œuvre applicables à l'installation du moteur seront à votre charge.

Si cuve inoxydable s'avère défectueuse (matériel et main d'œuvre) pendant la durée de vie de l'appareil, veuillez appeler le 1-800-4-MY-HOME® pour recevoir gratuitement un tambour en acier inoxydable de rechange. Au delà de la première année à compter de la date d'achat, les frais de main d'œuvre applicables à l'installation du moteur seront à votre charge.

Si cet appareil est utilisé dans un cadre autre que le cadre familial, la présente garantie n'est valable que pour une période de 90 jours à partir de la date d'achat.

La présente garantie couvre uniquement les défauts de matériel et de fabrication. Sears NE paiera PAS pour :

1. Des pièces ou composants qui peuvent s'user dans des conditions normales d'utilisation tels que les filtres, courroies, ampoules, et sacs (liste non exhaustive).
2. L'intervention d'un technicien qui montrerait à l'utilisateur comment installer, faire fonctionner ou entretenir correctement la machine.
3. L'intervention d'un technicien pour nettoyer ou entretenir la présente machine.
4. Tout dégât ou panne de la machine si elle n'est pas installée, utilisée ou entretenue conformément à toutes les instructions fournies avec le produit.
5. Tout dégât ou panne de la machine causé par un accident, un usage abusif, une mauvaise utilisation ou une utilisation dans un but autre que le but prévu par le fabricant.
6. Tout dégât ou panne de la machine causé par l'utilisation de lessives, de produits nettoyants, de produits chimiques ou d'accessoires autres que ceux recommandés dans les instructions fournies avec la machine.
7. Tout dégât ou panne de pièces ou de systèmes causés par des modifications non autorisées apportées à cette machine.

Clauses d'exclusion des garanties implicites ; limitation des recours

La présente garantie limitée ne s'applique que si le client applique comme seul recours les réparations prévues dans le présent document. Les garanties implicites, y compris les garanties marchandes et de compatibilité avec une utilisation particulière, sont limitées à un an ou à la période la plus courte autorisée par la loi. Sears ne pourra pas être tenu pour responsable des préjudices indirects ou accessoires. Certains états n'autorisent pas l'exclusion ou la limitation relative aux préjudices indirects ou accessoires, ni la limitation relative à la durée de validité des garanties implicites marchandes et de compatibilité. Il se peut donc que ces exclusions ne s'appliquent pas à vous.

La présente garantie n'est valable que si la machine est utilisée aux Etats-Unis ou au Canada.

La présente garantie vous confère des droits légaux spécifiques et il se peut que vous ayez d'autres droits qui varient d'un pays à l'autre.

Sears Brands Management Corporation, Hoffman Estates, IL 60179
Sears Canada Inc., Toronto, Ontario, Canada M5B 2B8

Get it fixed, at your home or ours!

Your Home

For troubleshooting, product manuals and expert advice:



www.managemylife.com

For repair – **in your home** – of **all** major brand appliances, lawn and garden equipment, or heating and cooling systems, **no matter who made it, no matter who sold it!**

For the replacement parts, accessories and owner's manuals that you need to do-it-yourself.

For Sears professional installation of home appliances and items like garage door openers and water heaters.

1-800-4-MY-HOME[®] (1-800-469-4663)

Call anytime, day or night (U.S.A. and Canada)

www.sears.com www.sears.ca

Our Home

For repair of carry-in items like vacuums, lawn equipment, and electronics, call anytime for the location of your nearest

Sears Parts & Repair Service Center

1-800-488-1222 (U.S.A.) **1-800-469-4663** (Canada)

www.sears.com www.sears.ca

To purchase a protection agreement on a product serviced by Sears:

1-800-827-6655 (U.S.A.) **1-800-361-6665** (Canada)

Para pedir servicio de reparación a domicilio, y para ordenar piezas:

1-888-SU-HOGAR[®]

(1-888-784-6427)

www.sears.com

Au Canada pour service en français:

1-800-LE-FOYER^{MC}

(1-800-533-6937)

www.sears.ca

The Sears logo, featuring the word "Sears" in a large, bold, serif font with a stylized 'S'.

® Registered Trademark / TM Trademark of KCD IP, LLC in the United States, or Sears Brands, LLC in other countries

® Marca Registrada / TM Marca de Fábrica de KCD IP, LLC en Estados Unidos, o Sears Brands, LLC in otros países

^{MC} Marque de commerce / ^{MD} Marque déposée de Sears Brands, LLC