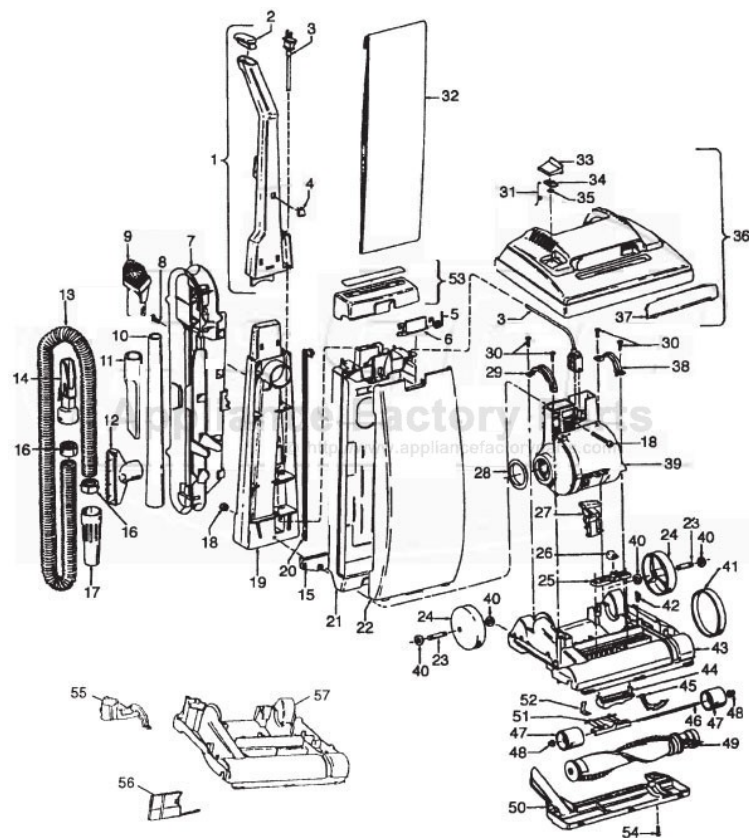


This Owner's Manual is provided and hosted by [Appliance Factory Parts](http://Appliance Factory Parts).



# HOOVER U5035-930 Owner's Manual

[Shop genuine replacement parts for HOOVER  
U5035-930](#)



[Find Your HOOVER Vacuum Cleaner Parts - Select From 1456 Models](#)

----- Manual continues below part list -----

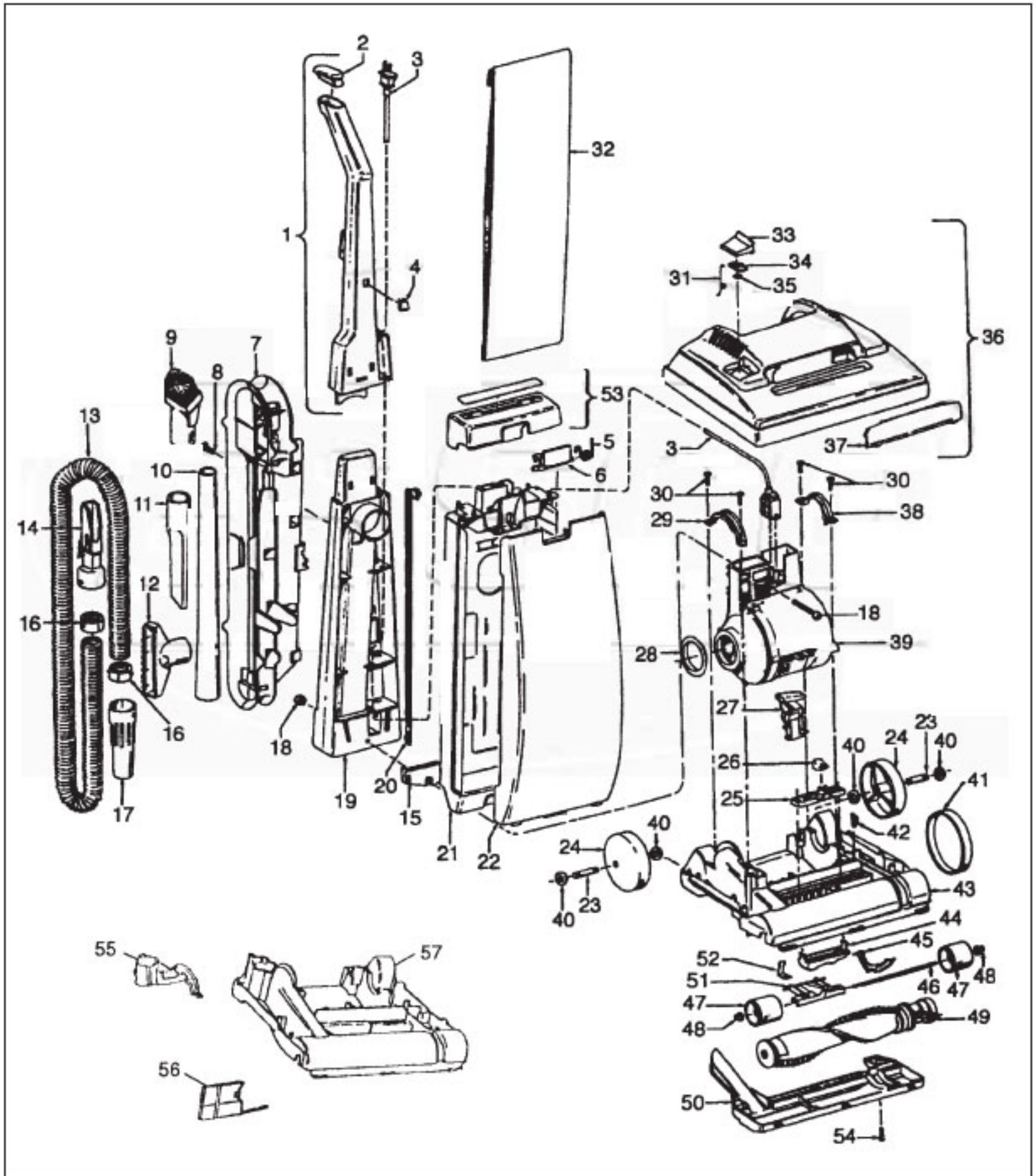
## Available Replacement Parts for HOOVER U5035-930

|                            |                                 |
|----------------------------|---------------------------------|
| <a href="#">H-38528040</a> | BELT VACUUM HOOVER OEM (1 PACK) |
| <a href="#">48414036</a>   | HOOVER ELITE BRUSH ROLLER       |
| <a href="#">H-4010001A</a> | VACUUM BAG OEM HOOVER 3 PACK    |
| <a href="#">HR-5000</a>    | EXTENSION TUBE                  |

# HOOVER Original

## ELITE & LEGACY HARD BODY

Models C1401-910, C1409-910, C1413-910/930, U5035-910/930, U5043-910/930, U5051-910/930, U5053-910/930, U5069-910, U5079-910, U5089-910/920/930, U5099-910/920/930, U5109-910/920/930



# Original **HOOVER**

## ELITE & LEGACY HARD BODY

Models C1401-910, C1409-910, C1413-910/930, U5035-910/930, U5043-910/930, U5051-910/930, U5053-910/930, U5069-910, U5079-910, U5089-910/920/930, U5099-910/920/930, U5109-910/920/930

| KEY | PART NO.   | DESCRIPTION  | KEY | PART NO.   | DESCRIPTION   |
|-----|------------|--|-----|------------|---|
| 1   | H-48663158 | Upper Handle Ass'y C1413-930   | 27  | H-38458022 | Handle Release Lever AG   |
| 1   | NLA        | Upper Handle Ass'y<br>5089-910/920/930, 5099-910/920/930<br>U5109-910/920/930  | 28  | H-38784016 | Seal  |
| 1   | H-48663160 | Upper Handle Ass'y<br>5051, 5069-910, 5079-910   | 29  | H-36131057 | Motor Retainer Cap - R.H.   |
| 1   | H-48663167 | Upper Handle Ass'y 5053-910, 5053-930  | 30  | H-21447217 | Screw - Self Tapping  |
| 1   | H-48663168 | Upper Handle Ass'y 5035-930,<br>5043-910/930   | 31  | H-38351013 | Spring  |
| 1   | H-48663158 | Upper Handle Ass'y C1409-910   | 32  | H-4010001A | Throw Away Bag - 3 Pk.  |
| 2   | H-37911072 | Handle Cap - ABE   | 33  | H-37257064 | Door Ass'y - AAW (Incl. Items 34,35)  |
| 3   | H-46368005 | Attachment Cord 3 Wire   | 34  | H-38785011 | Seal  |
| 3   | H-46388016 | Attachment Cord 2 Wire   | 35  | H-21362006 | Speed Nut   |
| 4   | H-37911061 | Plug   | 36  | NLA        | Hood Ass'y C1401-910  |
| 5   | H-38355008 | Spring   | 36  | H-42252357 | Hood Ass'y (Incl. Items 33, 37)   |
| 6   | H-36151006 | Latch  | 36  | H-42252357 | Hood Ass'y (Incl. Items 33, 37)<br>C1413-930  |
| 7   | H-41426086 | Tool Holder - ABE  | 36  | H-42252330 | Hood Ass'y 5035-930   |
| 8   | H-21447220 | Screw - Self Tapping   | 36  | H-42252319 | Hood Ass'y 5043-910   |
| 9   | H-43414145 | Dusting Brush - AG   | 36  | H-42252292 | Hood Ass'y 5053-910/930, 5079-910   |
| 10  | H-38634077 | Ext. Tube - AG   | 36  | H-42252340 | Hood Ass'y 5043-930   |
| 11  | H-38617024 | Crevice Tool - AG  | 36  | H-42252368 | Hood Ass'y 5051-930   |
| 12  | H-38614029 | Furniture Nozzle - AG  | 36  | H-42252293 | Hood Ass'y 5069-910,<br>5089-910/920/930  |
| 13  | H-43434232 | Hose Comp. - ABX/AG  | 36  | H-42252298 | Hood Ass'y 5099-910/920/930   |
| 14  | H-38656035 | Hose Connector - AG  | 36  | H-42252250 | Hood Ass'y 5109-910/920/930   |
| 15  | H-36425081 | Bag Housing Bracket  | 36  | H-42252297 | Hood Ass'y C1409-910  |
| 16  | H-36116027 | Hose Connector Collar - AG   | 37  | H-37246129 | Cover C1413-930   |
| 17  | H-32288011 | Hose Adapter - AG  | 37  | H-39383097 | Lens 5053-910/930, 5069-910,<br>5079-910, 5089-910/920/930,<br>5099-910/920/930, 5109-910/920/930                                 |
| 18  | H-40201085 | Nut & Bolt   | 37  | H-39383098 | Lens 5035-930, 5043-910/930, 5051-930   |
| 19  | H-39464005 | Lower Handle C1413-930, 5051-910   | 37  | H-39383102 | Lens C1409-910  |
| 19  | H-48669001 | Lower Handle 5089-910/920/930,<br>5099-910/920/930, 5109-910/920/930   | 38  | H-36131090 | Motor Retainer Cap - L.H.   |
| 19  | H-39464004 | Lower Handle 5035-930, 5043-910/930,<br>5069-910, 5079-910, C1409-910  | 39  | H-43576142 | Motor   |
| 20  | H-38456036 | Switch Control Rod -ABB  | 40  | H-21312787 | Washer (4)  |
| 21  | H-37254068 | Bag Housing  | 41  | H-38528040 | Belt  |
| 22  | H-37257082 | Bag Housing Door C1413-930   | 42  | H-13261    | Rug Nozzle Rib Shoe   |
| 22  | H-37257038 | Bag Housing Door 5035-930,<br>5043-910/930, 5053-910/930, 5069-910,<br>5079-910, 5089-910/920/930,<br>5099-910/920/930, 5109-910/920/930 | 43  | H-42243002 | Main Body Ass'y (Incl. 23, 24, 27, 42)<br>C1413-930   |
| 22  | H-37257084 | Bag Housing Door 5051-930  | 43  | H-42243001 | Main Body Ass'y 5035-910,<br>5043-910/930, 5051-930   |
| 22  | H-37257034 | Bag Housing Door C1409-910   | 44  | H-38563011 | Nozzle Height Adj. Cam  |
| 23  | H-31531008 | Wheel Shaft - AY   | 45  | H-38452089 | Lever   |
| 24  | H-38522011 | Rear Wheel - AG  | 46  | H-32563012 | Wheel Shaft - AY  |
| 25  | H-38567008 | Cam Actuator C1413-930, 5035-930,<br>5043-910/930, 5051-930  | 47  | H-38521023 | Wheel - AG  |
| 25  | H-38567009 | Cam Actuator 5053-910/930, 5069-910,<br>5079-910, 5089-910/920/930,<br>5099-910/920/930, 5109-910/920/930,<br>C1401-910                  | 48  | H-36131056 | Wheel Retainer - BZ   |
| 26  | H-38421070 | Indicator Knob Small C1413-910/930,<br>5035-930, 5043-930, 5051-930  | 49  | H-48414035 | Agitator  |
| 26  | H-38421066 | Indicator Knob Small 5043-910  | 50  | H-37245106 | Bottom Plate - AG   |
| 26  | H-38567020 | Indicator Knob Large<br>5053-910/930, 5069-910   | 51  | H-36432053 | Wheel Support - BZ  |
| 26  | H-38567021 | Indicator Knob Large 5079-910,<br>5089-910/920/930   | 52  | H-34572002 | Cam Actuator Spring - FW  |
| 26  | H-38567023 | Indicator Knob Large 5099-910/920/930  | 53  | H-42987020 | Bag Housing Cap Ass'y   |
| 26  | H-38567014 | Indicator Knob Large 5109-910/920/930  | 54  | H-21447121 | Screw - Self Tapping  |
| 26  | H-38567022 | Indicator Knob Large C1409-910   | 55  | H-38613029 | Air Intake/Motor Clamp 5053-910/930,<br>5069-910, 5079-910, 5089-910/920/930,<br>5099-910/920/930, 5109-910/920/930,<br>C1409-910 |
|     |            |  | 56  | H-38718005 | Valve Gate 5053-910/930, 5069-910,<br>5079-910, 5089-910/920/930,<br>5099-910/920/930, 5109-910/920/930,<br>C1409-910             |
|     |            |  | 57  | H-42242266 | Main Body Ass'y 5035-910/930,<br>5069-910, 5079-910, 5089-910/920/930,<br>5099-910/920/930, 5109-910/920/930,<br>C1409-910        |

# HOOVER Original

## LEGACY & ELITE

Models U4459, U4459-940, U4461-9, U4463-9, U4465-9, U4471, U4471-9, U4471-960, U4473, U4473-080, U4483, U4485, U4507, U4507-9, U4509, U4511, U4511-9, U4533-9, U4545-900, U4557-910, U4569-910, U4581-910, U4599-900, U4601-900, U4609, U4617-910, U4641-910, U4649-910, U4671-910, U4681, U4681-910, U4689-910, U4697-910, U4701-970, U4709-910, U4713-910, U4731-910, U5069-910, U5079-910



| KEY | PART NO.                 | DESCRIPTION   | KEY | PART NO.   | DESCRIPTION   |
|-----|--------------------------|---|-----|------------|---|
|     | NLA                      | Motor Ass'y Comp. -<br>Order H-43576211<br>(See Page 22-225)  | 13  | NLA        | Armature/Bearing Ass'y - U4465-9,<br>U4473, U4473-080, U4485,<br>U4507, U4507-9, U4511, U4511-9,<br>U4545-900, U4557-910, U4569-910,<br>U4581-910, U4641-910, U4649-910,<br>U4681, U4689-910, U4697-910,<br>U4731-910 |
| 1   | H-214793 DA              | Screw - Self Tapping (4)  |     | NLA        | Armature/Bearing Ass'y  |
| 2   | H-38736032               | Fan Chamber - MW  | 14  | H-37194034 | Motor End Cap Ass'y - MW  |
| 3   | H-38755030               | Fan   | 15  | NLA        | Field Ass'y - U4465-9, U4473,<br>U4473-080, U4485, U4507,<br>U4507-9, U4641-910, U4649-910,<br>U4681, U4681-910, U4689-910,<br>U4697-910 (Incl. Items 10, 11, 12, 16)   |
| 4   | H-12503 EF               | Rivet - Semi Tubular (2)  |     | NLA        | Field Ass'y (Incl. Items 10, 11, 12, 16)  |
| 5   | NLA                      | Motor Housing Ass'y<br>(Incl. Items 4, 6, 8, 9)   |     | NLA        | Field Ass'y - U4511, U4511-9,<br>U4545-900, U4557-910   |
| 6   | H-41311011               | Motor Brush Holder (2)  |     | NLA        | Field Ass'y - U4569-910, U4581-910,<br>U4731-910, U5069-910, U5079-910<br>(Incl. Items 10, 11, 12, 16)  |
| 7   | H-41311011<br>H-47318024 | Motor Brush Ass'y (2)<br>Motor Brush Ass'y (2) - U4511,<br>U4511-9, U4545-900, U4557-910,<br>U4569-910, U4581-910,<br>U4731-910 | 16  | H-47171018 | Lamp Holder Ass'y   |
| 8   | H-24152808               | Bearing   | 17  | H-21312793 | Washer  |
| 9   | H-37913020               | Bearing Retainer  | 18  | H-38783014 | Molded Duct Seal  |
| 10  | H-36914004               | Switch Bus Bar  | 19  | H-41311011 | Motor Brush Holder Ass'y -<br>(Incl. Items 6, 7)  |
| 11  | H-39116005               | Attachment Terminal   |     |            |   |
| 12  | H-28218043               | Switch Ass'y  |     |            |   |



### Standard Fit Tools (w/Retention Pin) (Shown)

| KEY | PART NO.   | DESCRIPTION                                     |
|-----|------------|---|
| 1   | H-43453043 | Extension Tube - AAP                            |
| 2   | H-43414017 | Multi-Purpose Brush - AAP                       |
| 3   | H-38617018 | Crevice Tool - AAP                              |
| 4   | H-32288004 | Hose Connector - AAP                            |
| 5   | H-38671018 | Hose - Less Ends - AAP                          |
| 6   | H-32156010 | Hose Sleeves                                    |
| 7   | H-36171025 | Hose Connector - Curved - AAP                   |
| 8   | H-43466058 | Hose Connector - Curved - AAP<br>(Incl. Item 9) |
| 9   | H-36153021 | Latch Ring                                      |
| 10  | H-43434210 | Hose Comp.                                      |
| 11  | H-38656016 | Convertor Body - AAP                            |
|     | H-43414071 | Furniture Nozzle - AAP                          |
|     | H-43414087 | Dusting Brush - AAP                             |
|     | H-43414088 | Wall/Floor Brush - AAP                          |

### Friction Fit Tools (w/o Retention Pin) (Not Shown)

| PART NO.               | DESCRIPTION                                     |
|------------------------|---|
| H-38634074             | Extension Tube - AAP                            |
| Not Available          | Multi-Purpose Brush - AAP                       |
| H-38617023             | Crevice Tool - AAP                              |
| H-32288004             | Hose Connector - AAP                            |
| H-38671025             | Hose - Less Ends - AAP                          |
| Not Available          | Hose Sleeves                                    |
| Not Available          | Hose Connector - Curved - AAP                   |
| H-39454053 (Hand Grip) | Hose Connector - Curved - AAP<br>(Incl. Item 9) |
| Not Available          | Latch Ring                                      |
| H-43434225             | Hose Comp.                                      |
| H-38656016             | Convertor Body - AAP                            |
| H-38614026             | Furniture Nozzle - AAP                          |
| H-43414129             | Dusting Brush - AAP                             |
| H-43414135             | Wall/Floor Brush - AAP                          |