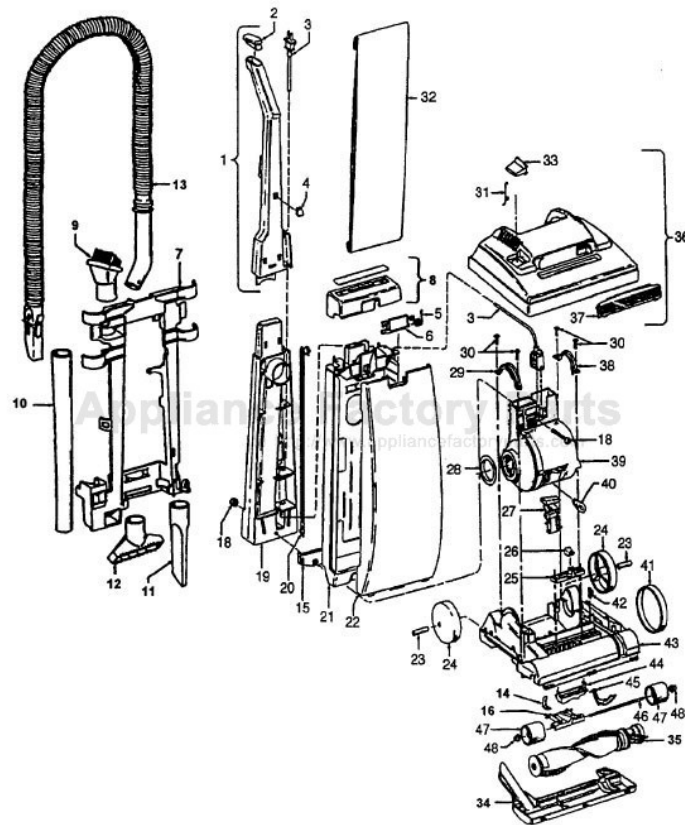


This Owner's Manual is provided and hosted by [Appliance Factory Parts](#).



HOOVER U5093-940 Owner's Manual

[Shop genuine replacement parts for HOOVER
U5093-940](#)



[Find Your HOOVER Vacuum Cleaner Parts - Select From 1456 Models](#)

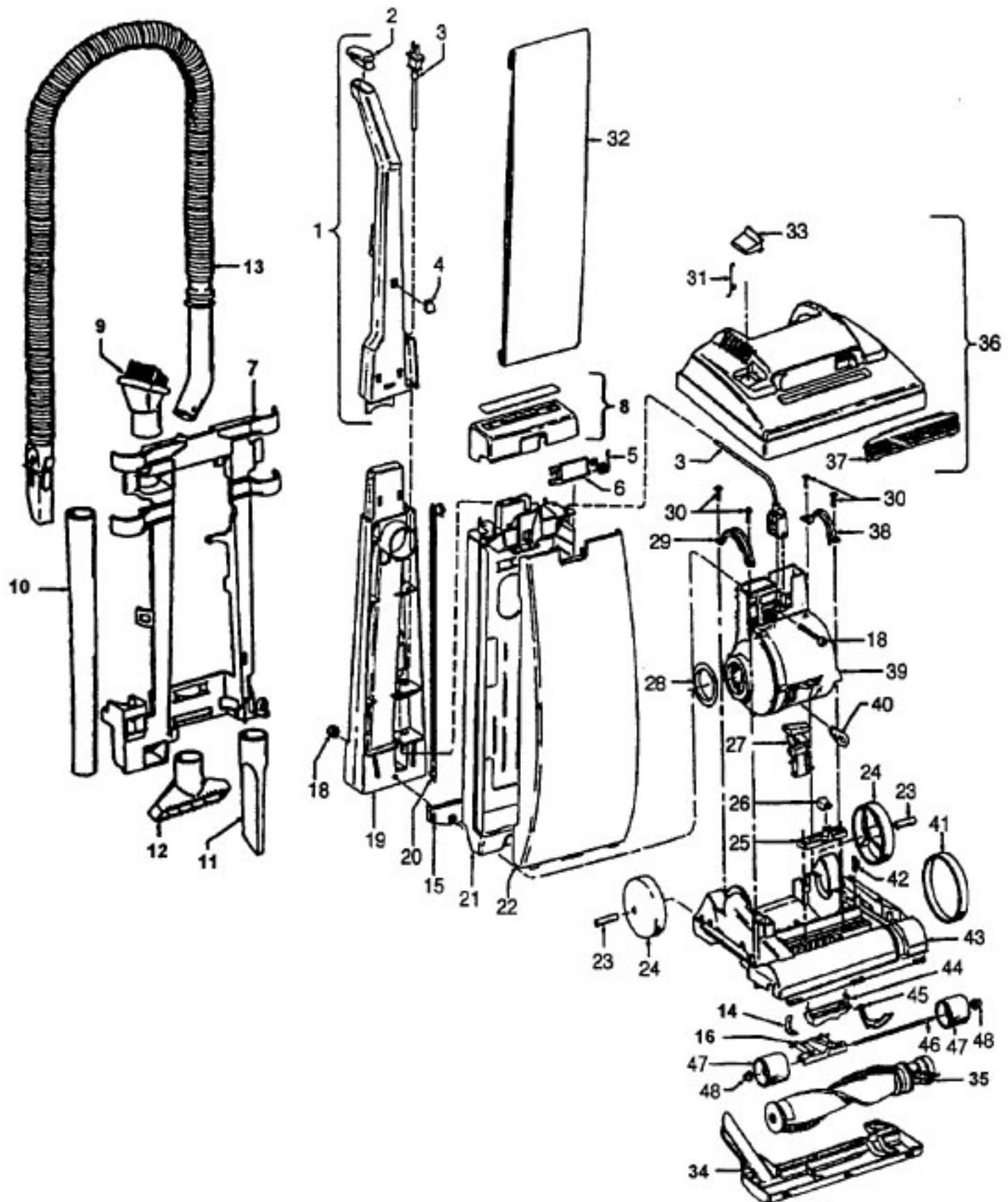
----- Manual continues below part list -----

Available Replacement Parts for HOOVER U5093-940

| | |
|----------------------------|---------------------------------|
| H-38528040 | BELT VACUUM HOOVER OEM (1 PACK) |
| 48414036 | HOOVER ELITE BRUSH ROLLER |
| H-4010001A | VACUUM BAG OEM HOOVER 3 PACK |
| H-43267002 | AGITATOR BEARING ASM |
| K-109289 | BULB |

Elite
Preferred
Futura

Model U5070-930, U5096-930
Model U5093-900, U5093-940, *U5093-950, U5095-920
Model U5098-930



**Elite
Preferred
Futura**

**Model U5070-930, U5096-930
Model U5093-900, U5093-940, *U5093-950, U5095-920
Model U5098-930**

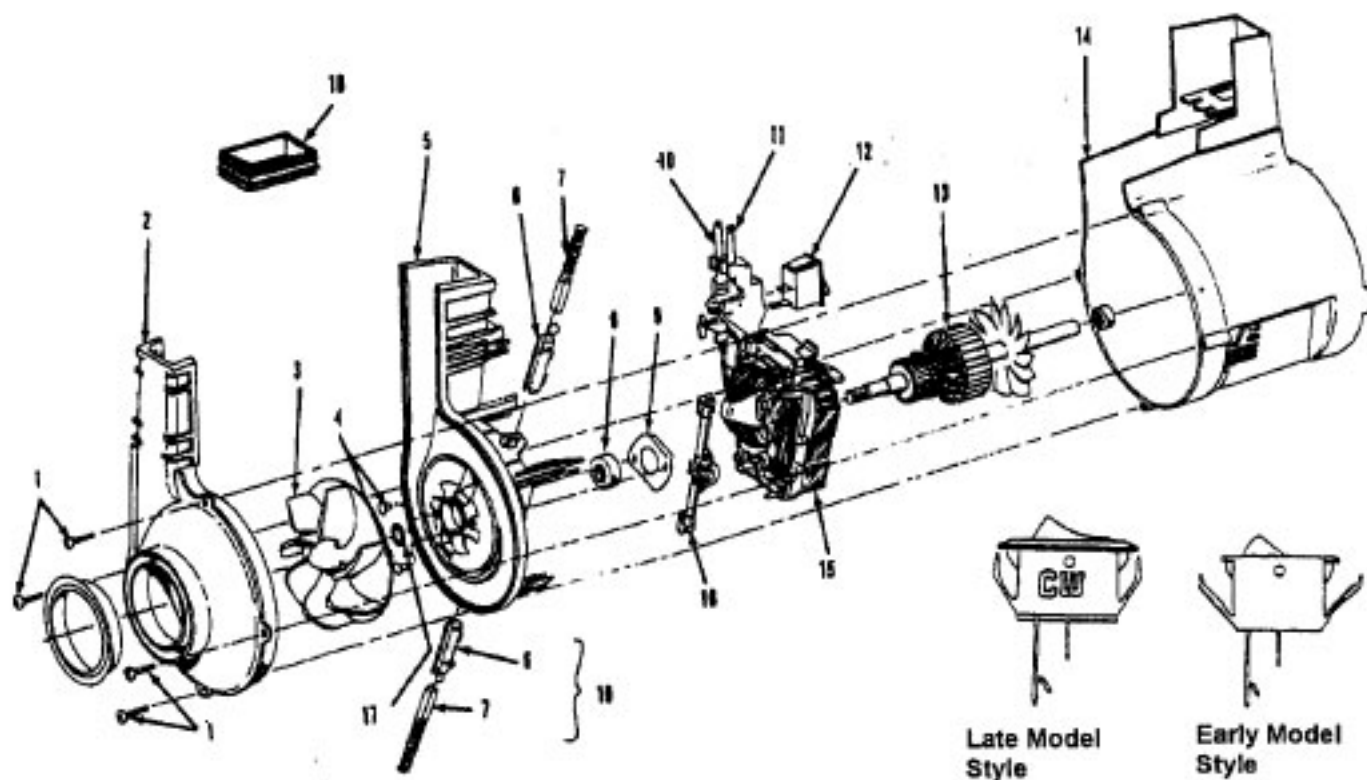
| Ref. No. | Part No. | Description | Ref. No. | Part No. | Description |
|----------|--|---|---|--|--|
| 1 | 48663160 | Upper Handle Assem. | | | |
| 2 | 39458057 | Handle Grip - U5070-930 prior to 4/98, U5093-900, U5093-940 prior to 12/01, U5095-920 | 34 | 37245108 | Bottom Plate - U5070-930 prior to 4/98, U5095-920 |
| | 37911079 | Handle Cap - U5070-930 after 4/98, U5093-940 after 12/01, U5096-930, U5098-930 | | 37245017 | Bottom Plate - AG - U5070-930 after 4/98, U5093-900, U5093-940, U5096-930, U5098-930 |
| 3 | 46388027 | Cord - AG - 35 Ft. | 35 | 48414081 | Agitator (P-204) |
| | 46388043 | Cord - AG - 30' - 12 Amp - U5093-940 | | 48414079 | Agitator - U5093-940 (P-203) |
| 4 | 37911038 | Plug - ABE | | Note: All Hood Assembly's include items 33 and 37 | |
| 5 | 38355008 | Spring | 36 | 42252031 | Hood Assem -AAY - U5070-930 |
| 6 | 36151006 | Latch | | 42252A77 | Hood Assem. - ABY - U5095-920 |
| 7 | 36433110 | Tool Rack - ABE | | 42252399 | Hood Assem. - MB - U5096-930 |
| | 36433098 | Tool Rack -ABE -U5093-900, U5093-940 | | 42252A76 | Hood Assem. - AAY - U5098-930 |
| | | | | 42252B15 | Hood Assem. - ACF - U5093-900 |
| 8 | 37959105 | Bag Hsg. Cap | | 42252B19 | Hood Assem. - ACF - U5093-940 |
| 9 | 43414145 | Dusting Brush - Friction | 37 | 39383098 | Dirt Finder Lens - KC |
| 10 | 38634078 | Ext. Tube - AG | 38 | 36131090 | Motor Retainer - ABE - LH |
| 11 | 38617024 | Crevice Tool - AG | 39 | 43576142 | Motor (P-202) |
| 12 | 38614029 | Furniture Nozzle - AG | | 43576199 | Motor - 12 Amp - U5093-940 (P. 364) |
| 13 | 43434237 | Hose Assem. Comp. | 40 | 27313101 | Dirt Finder Lamp |
| 14 | 34572002 | Cam Actuator Spring - FW | 41 | 38528027 | Belt |
| 15 | 36425081 | Bag Hsg. Bracket | 42 | 13261AY | Rug Nozzle Rib Shoe |
| 16 | 43248059 | Front Wheel Assem. (Incl. It. 45,46,47) | 43 | 42243001 | Main Body Assem. (Incl. It. 23,24,27,42) |
| 18 | 40201085 | Nut & Bolt | 44 | 38563011 | Nozzle Height Adj. Cam. |
| 19 | 39464005 | Lower Handle - ABE | 45 | 38452089 | Lever (Use wheel assem. 43248059) |
| 20 | 38456036 | Switch Control Rod - ABB | 46 | 32563012 | Wheel Shaft - AY (Use 43248059) |
| 21 | 37254068 | Bag Housing - U5070-930, U5096-930, U5098-930 | 47 | N/A | Wheel - AG (Use 43248059) |
| | 37254069 | Bag Housing - U5093-900, U5093-940, U5095-920 | 48 | 36131056 | Wheel Retainer- BZ |
| | Note: All Bag Housing Doors include items 5 and 6 | | Items Not Illustrated | | |
| 22 | 37257222 | Bag Hsg. Door - AAY - U5070-930 | | 3944201P | Cord Wrap |
| | 37257186 | Bag Hsg. Door - ABE - U5095-920 | PACKAGING MATERIAL | | |
| | 37257251 | Bag Hsg. Door - MB - U5096-930 | | 56511A21 | Owner Manual |
| | 37257252 | Bag Hsg. Door - AAY - U5098-930 | | 56511B16 | Owner Manual - U5093-940 |
| | 37257270 | Bag Hsg. Door - ACF - U5093-900, U5093-940 | | 58185184 | Carton - Common |
| 23 | 31523012 | Wheel Shaft | | 58347027 | Cleaning Tool Carton |
| 24 | 38522011 | Rear Wheel - AG | | 58385020 | Hard Bag Support |
| 25 | 38567008 | Cam Actuator - KE | * Model U5093-950 is similar to the U5093-900 with the exception of carton graphics. | | |
| 26 | 38421070 | Indicator Knob - ABE | | | |
| 27 | 38458022 | Handle Release Lever - AG | | | |
| 28 | 38784016 | Seal | | | |
| 29 | 36131057 | Motor Retainer Cap - RH | | | |
| 30 | 21447217 | Screw-Self Tapping | | | |
| 31 | 38351013 | Spring | | | |
| 32 | 4010001A | Throw - Away Bag - 3 Pak | | | |
| 33 | 37257027 | Door Assem -AAY -U5070-930, U5098-930 | | | |
| | 37257057 | Door Assem. -ABY - U5095-930 | | | |
| | 37257155 | Door Assem. MB - U5096-930 | | | |
| | 37257271 | Door Assem. ACF - U5093-900, U5093-940 | | | |

Agitator - 48414081
Agitator - 48414075

Elite/ Elite II/ Dimension/ Legacy/ TurboPOWER/ Caddy Vac - Four Brush
Caddy Vac - Four Brush



| Ref. No. | Part No. | Description |
|----------|----------|---|
| | 48414081 | Agitator Assem. Complete (Natural Bristles) |
| | 48414075 | Agitator Assem. Complete (Blue Bristles) |
| 1 | 36423016 | Thread Guard - RH |
| 2 | 43267002 | Agitator Bearing Assem. (2) |
| 3 | 21347003 | Conical Washer (2) |
| 4 | 36422022 | Agitator End (2) |
| 5 | N/A | Agitator Body |
| 6 | 32724013 | Agitator Shaft |
| 7 | 36423017 | Thread Guard - LH - AG |



| Ref. No. | Part No. | Description |
|----------|----------|--|
| | 43576142 | Motor Assem. Comp. |
| | 43576181 | Motor Assem. Comp. (Replaced by 43576204) |
| 1 | 214793DA | Screw-Self Tapping (4) |
| 2 | 38736033 | Fan Chamber |
| 3 | 38755030 | Fan |
| 4 | N/A | Rivet - Semi Tubular (2) |
| 5 | N/A | Motor Housing Assem. |
| 6 | N/A | Motor Brush Holder (2) |
| 7 | N/A | Motor Brush Assem. (2) |
| 8 | N/A | Bearing |
| 9 | N/A | Bearing Retainer |
| 10 | 36914004 | Switch Bus Bar |
| 11 | 39116005 | Attachment Terminal |
| 12 | 28218043 | Switch Assem. - Early Models (Prior to 5/96) |
| | 28161062 | Switch Assem. - Late Models (After 5/96) |
| 13 | N/A | Armature/Bearing Assem. |
| 14 | 37194046 | Motor End Cap Assem. - MW |
| 15 | N/A | Field Assem. |
| 16 | N/A | Lamp Holder Assem. |
| 17 | 21312793 | Washer |
| 18 | 38783020 | Duct Seal |
| 19 | 41311016 | Motor Brush Holder Assem. |

ITEMS NOT ILLUSTRATED

| | |
|----------|--|
| 38781013 | Duct Seal (8 1/2" Long adhesive backed foam seal used on early models in place of item 18) |
| 54821001 | Tape (Roll) |