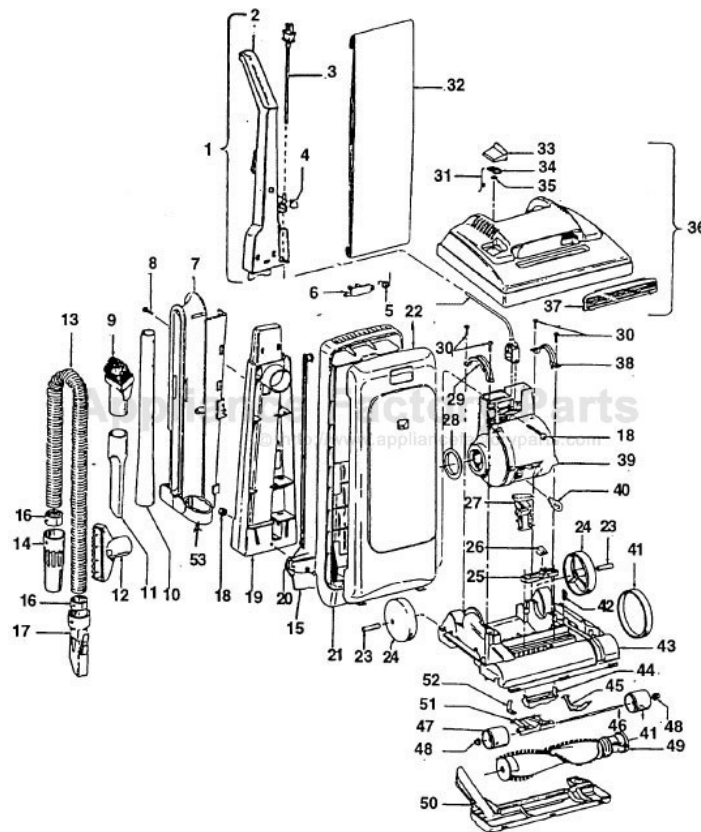


This Owner's Manual is provided and hosted by [Appliance Factory Parts](#).



HOOVER U5097-930 Owner's Manual

[Shop genuine replacement parts for HOOVER
U5097-930](#)



[Find Your HOOVER Vacuum Cleaner Parts - Select From 1456 Models](#)

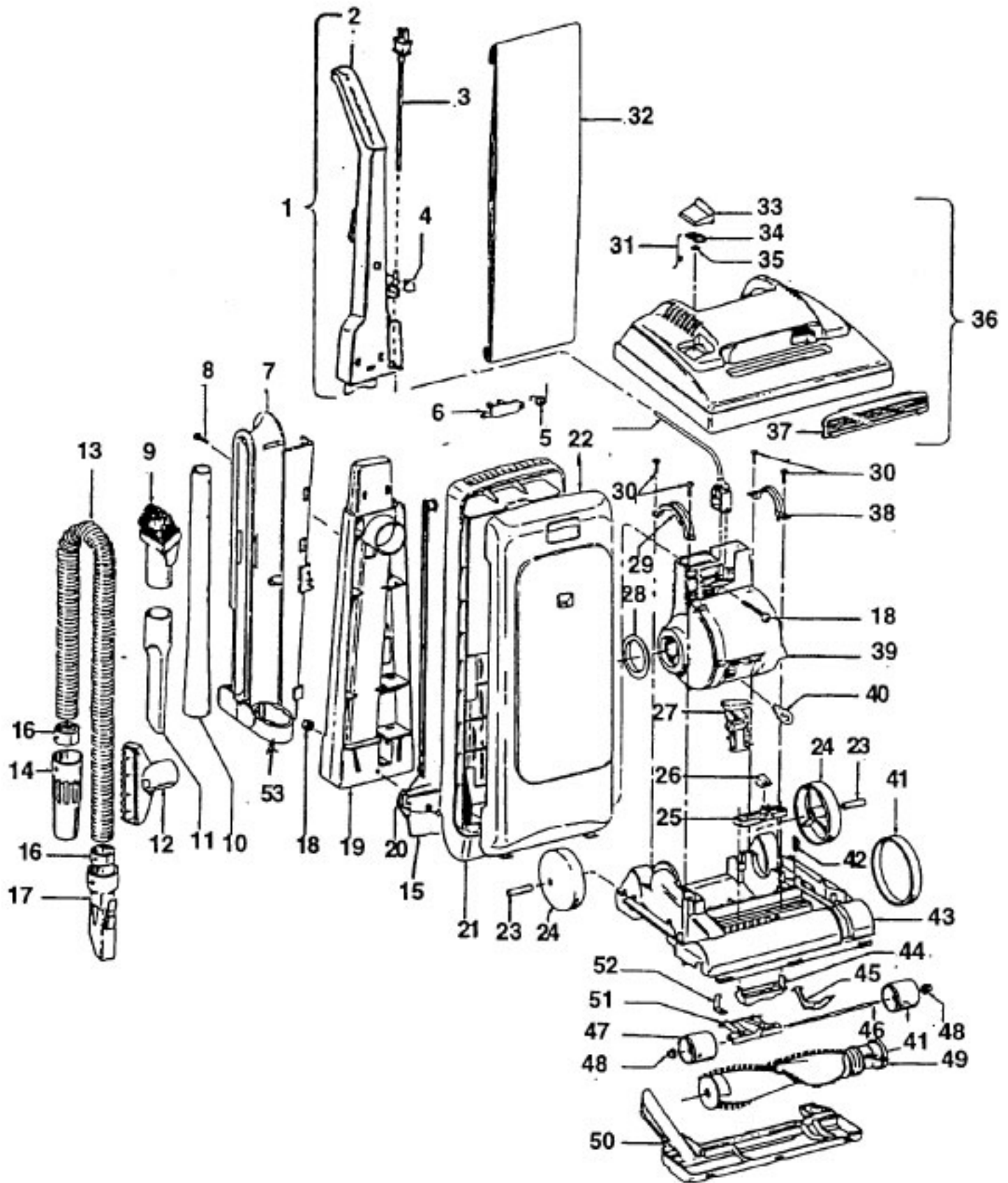
----- Manual continues below part list -----

Available Replacement Parts for HOOVER U5097-930

H-38528040	BELT VACUUM HOOVER OEM (1 PACK)
48414036	HOOVER ELITE BRUSH ROLLER
H-4010001A	VACUUM BAG OEM HOOVER 3 PACK
H-43267002	AGITATOR BEARING ASM
K-109289	BULB

Preferred
Spectrum

Models U5095-930,U5095-940, *U5095-980
Models U5097-930



**Preferred
Spectrum**

**Models U5095-930, U5095-940, *U5095-980
Models U5097-930**

Ref. No.	Part No.	Description
1	48663160	Upper Handle Assem. - ABE
2	39458057	Handle Grip - ABE
3	46388027	Attachment Cord - AG - 35 Ft. '
4	37911038	Plug
5	38355009	Spring
6	36151013	Latch
7	41426019	Tool Holder - ABE
8	21447220	Screw - Self Tapping
9	43414145	Dusting Brush - AG
10	38634078	Ext. Tube - AG
11	38617024	Crevice Tool - AG
12	38614029	Furniture Nozzle - AG
13	43434033	Hose Comp. - Standard - ABX/AG
14	32288011	Hose Connector - AG
15	36425081	Bag Housing Bracket
16	36116014	Hose Connector Collar - AG
17	38656035	Hose Adapter - AG
18	40201085	Nut & Bolt
19	39464005	Lower Handle - ABE
20	38456036	Switch Control Rod - AG
21	37254069	Bag Housing
22	37257186	Bag Hsg Door-U5095-930, U5095-940, U5095-980
	37257189	Bag Hsg Door U5097-930 ABE
23	31523012	Wheel Shaft - AG
24	38522011	Rear Wheel - AG
25	38567008	Cam Actuator - KE
26	38421070	Indicator Knob - ABE
27	38458022	Handle Release Lever - AG
28	38784016	Seal
29	36131057	Motor Retainer Cap - R.H.
30	21447217	Screw - Self Tapping
31	38351013	Spring
32	4010001A	Throw - Away Bag - 3 Pk.
33	37257057	Door Assem. - ABY
34	38785013	Seal
35	21362006	Speed Nut
36	42252385	Hood Assem. - ABY - U5095-930, U5095-940, U5095-980
	42252031	Hood Assem. - AAY - U5097-930
37	39383098	Dirt Finder Lens - KC
38	36131090	Motor Retainer Cap - L.H.
39	43576142	Motor - (P-202)
40	27313101	Dirt Finder Lamp
41	38528027	Belt
42	13261AY	Rug Nozzle Rib Shoe

Ref. No.	Part No.	Description
43	42243001	Main Body Assem. (Incl. Items 23,24,27,42)
44	38563011	Nozzle Height Adj. Cam
45	38452089	Lever (Use wheel assem. 43248059)
46	32563012	Wheel Shaft - AY (Use 43248059)
47	43248059	Wheel - AG
48	36131056	Wheel Retainer - BZ
49	48414081	Agitator (P-204)
50	37245108	Bottom Plate - AG
51	43248059	Front Wheel Assem. (Incl. It. 45,46 47)
52	34572002	Cam Actuator Spring - FW
53	36433118	Tool Holder Connector

ITEMS NOT ILLUSTRATED

3944201P	Cord Wrap
51639111	Bag Cap Nameplate

PACKAGING MATERIAL

56511A29	Owner Manual
58185184	Carton - Common
58274014	Carton Support
58347021	Cleaning Tool Carton
58385020	Hard Bag Support

Model U5095-980 is an ensemble which includes a
Dubl-Duty S1103.

Agitator - 48414081
Agitator - 48414075

Elite/ Elite II/ Dimension/ Legacy/ TurboPOWER/ Caddy Vac - Four Brush
Caddy Vac - Four Brush



Ref. No.	Part No.	Description
	48414081	Agitator Assem. Complete (Natural Bristles)
	48414075	Agitator Assem. Complete (Blue Bristles)
1	36423016	Thread Guard - RH
2	43267002	Agitator Bearing Assem. (2)
3	21347003	Conical Washer (2)
4	36422022	Agitator End (2)
5	N/A	Agitator Body
6	32724013	Agitator Shaft
7	36423017	Thread Guard - LH - AG



Ref. No.	Part No.	Description
	43576142	Motor Assem. Comp.
	43576181	Motor Assem. Comp. (Replaced by 43576204)
1	214793DA	Screw-Self Tapping (4)
2	38736033	Fan Chamber
3	38755030	Fan
4	N/A	Rivet - Semi Tubular (2)
5	N/A	Motor Housing Assem.
6	N/A	Motor Brush Holder (2)
7	N/A	Motor Brush Assem. (2)
8	N/A	Bearing
9	N/A	Bearing Retainer
10	36914004	Switch Bus Bar
11	39116005	Attachment Terminal
12	28218043	Switch Assem. - Early Models (Prior to 5/96)
	28161062	Switch Assem. - Late Models (After 5/96)
13	N/A	Armature/Bearing Assem.
14	37194046	Motor End Cap Assem. - MW
15	N/A	Field Assem.
16	N/A	Lamp Holder Assem.
17	21312793	Washer
18	38783020	Duct Seal
19	41311016	Motor Brush Holder Assem.

ITEMS NOT ILLUSTRATED

38781013	Duct Seal (8 1/2" Long adhesive backed foam seal used on early models in place of item 18)
54821001	Tape (Roll)