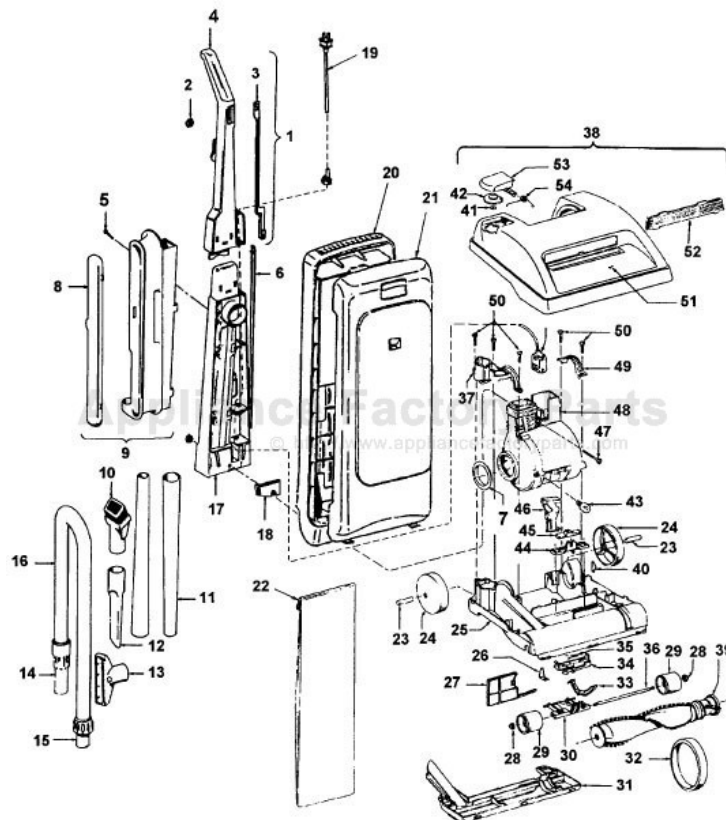


This Owner's Manual is provided and hosted by [Appliance Factory Parts](http://Appliance Factory Parts).



# HOOVER U5101-930 Owner's Manual

[Shop genuine replacement parts for HOOVER  
U5101-930](#)



[Find Your HOOVER Vacuum Cleaner Parts - Select From 1456 Models](#)

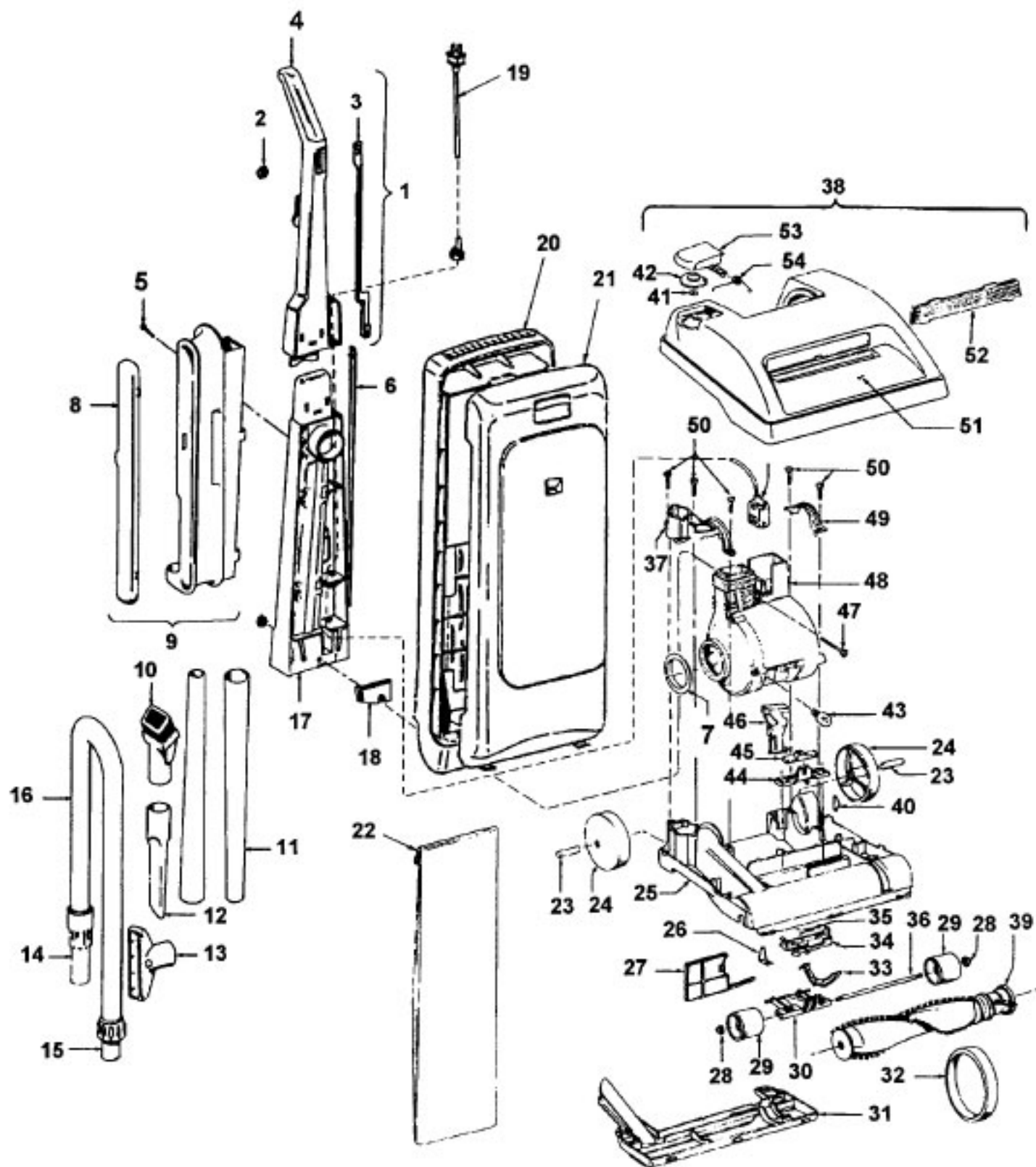
----- Manual continues below part list -----

## Available Replacement Parts for HOOVER U5101-930

|                            |                                 |
|----------------------------|---------------------------------|
| <a href="#">H-38528040</a> | BELT VACUUM HOOVER OEM (1 PACK) |
| <a href="#">48414036</a>   | HOOVER ELITE BRUSH ROLLER       |
| <a href="#">H-43267002</a> | AGITATOR BEARING ASM            |
| <a href="#">K-109289</a>   | BULB                            |

**TurboPOWER**  
**Legacy**

**Model U5101-930, U5201-930**  
**Model U5105-930, U5219-930**



**TurboPOWER  
Legacy**

| Ref. No. | Part No. | Description   |
|----------|----------|---|
| 1        | 48663204 | Handle Assem. Comp.   |
| 2        | n/a      | Switch Button   |
| 3        | n/a      | Switch Rod Upper  |
| 4        | 37911078 | Handle Cap - ABE  |
| 5        | 21447220 | Screw Self Tapping  |
| 6        | 38458046 | Switch Rod Lower  |
| 7        | 38784016 | Seal  |
| 8        | 37257170 | Tool Door - U5101-930   |
| 9        | 41426113 | Tool Hlder/Door Assem. - U5101-930, U5105-930                   |
|          | 41426019 | Tool Holder - U5219-930, U5201-930                              |
| 10       | 43414145 | Dusting Brush Assem.  |
|          | 43414146 | Dusting Brush Assem. - ABR - U5105-930                          |
| 11       | 38634078 | Extension Tube  |
| 12       | 38617024 | Crevice Tool  |
|          | 38617026 | Crevice Tool - ABR - U5105-930                                  |
| 13       | 38614029 | Furniture Nozzle  |
|          | 38614036 | Furniture Nozzle - ABR - U5105-930                              |
| 14       | 32288011 | Hose Adapter - AG   |
| 15       | 32377005 | Hose Connector - AG   |
| 16       | 43434035 | Hose Assem. Comp. - ABX/AG - U5101-930, U5105-930               |
|          | 43434088 | Hose Assem. Comp - U5219-930 U5201-930                          |
| 17       | 48669017 | Lower Handle Assem.   |
| 18       | 36425081 | Bag Housing bracket - ABE                                       |
| 19       | 46388027 | Attachment Cord - AG - 35 FT.                                   |
| 20       | 37254069 | Bag Housing - U5101-930, U5105-930                              |
|          | 37254068 | Bag Housing - U5219-930, U5201-930                              |
| 21       | 37257023 | Bag Door - AG-U5101-930   |
|          | 37257164 | Bag Door - ABB - U5219-930                                      |
|          | 37257226 | Bag Door - AG - U5201-930                                       |
|          | 37257247 | Bag Door - ABM - U5105-930                                      |
| 22       | 4010100A | Throw-away Bag (3 Pk.)- Microfilt.                              |
| 23       | 31523012 | Wheel Shaft   |
| 24       | 38522011 | Wheel Rear  |
| 25       | 42242266 | Main Body Assem. (incl. it. 23, 24, 40, 46)                     |
| 26       | 34572002 | Cam Actuator Spring   |
| 27       | 38718005 | Valve Gate  |
| 28       | 36131056 | Wheel Retainer - U5101-930, U5201-930, U5219-930                |
|          | 43248059 | Front Wheel Assem.  |
| 29       | 43248059 | Wheel - U5101-930, U5201-930, Lever (Use wheel assem. 43248059) |
| 30       | 43248059 | Front Wheel Assembly  |
| 31       | 37245108 | Bottom Plate  |
| 32       | 38528040 | Agitator Belt   |
| 33       | 38452089 | Lever   |
| 34       | 38563013 | Nozzle Height Adj. Cam  |
| 35       | 38351012 | Spring  |
| 36       | 32563012 | Wheel Shaft (Use 43248059)                                      |
| 37       | 38613029 | Air Intake  |
| 38       | 42252A04 | Hood Assem. - AG (Incl. It. 52, 53, 54) U5101-930, U5201-930    |
|          | 42252292 | Hood Assem. - ABB- (Incl. It. 52, 53, 54) U5219-930             |
|          | 42252A66 | Hood Assem. - ABM - U5105-930                                   |
| 39       | 48414081 | Agitator Assem. Comp. (p-204)                                   |
| 40       | 13261AY  | Rug Nozzle Rib Shoe   |
| 41       | 21362006 | Speed Nut   |
| 42       | 38784056 | Seal  |
| 43       | 27313101 | Dirt Finder Lamp  |
| 44       | 38567009 | Cam Actuator  |
| 45       | 38567014 | Indicator Knob - AG   |
| 46       | 38458022 | Handle Release Lever  |

**Model U5101-930, U5201-930  
Model U5105-930, U5219-930**

| Ref. No.              | Part No. | Description                          |
|-----------------------|----------|--------------------------------------|
| 47                    | 40201085 | Handle Hardware Assem.               |
| 48                    | 43576142 | Motor Assem. Comp. - (p-202)         |
| 49                    | 36131090 | Motor Retainer Cap L.H.              |
| 50                    | 21447217 | Screw Self-Tapping                   |
| 51                    | 51669071 | Hood Nameplate - U5101-930           |
|                       | N/A      | Hood Nameplate - U5219-930           |
|                       | 51669075 | Hood Nameplate - U5201-930           |
|                       | 51669076 | Hood Nameplate - U5105-930           |
| 52                    | 39383097 | Dirt Finder Lens                     |
| 53                    | 37257175 | Door Assem. (incl. It. 41, 42 )      |
| 54                    | 38351011 | Spring                               |
| ITEMS NOT ILLUSTRATED |          |                                      |
|                       | 3944201P | Cord Wrap                            |
|                       | 36151006 | Latch - U5201-930                    |
|                       | 36151013 | Latch - U5105-930                    |
|                       | 38355008 | Torsion Spring - U5201-930           |
|                       | 38355009 | Torsion Spring - U5105-930           |
|                       | 37959105 | Bag Housing Cap - U5201-930          |
|                       | 38733002 | Bag Check Diaphragm - U5101-930      |
|                       | 51151004 | Indicator Flag - BZ- U5101-930       |
|                       | 3944201P | ABE - Cord Wrap                      |
| Packaging Material    |          |                                      |
|                       | 56511A43 | Owners Manual - U5101-930, U5105-930 |
|                       | 56511234 | Owner Manual - U5219-930, U5201-930  |
|                       | 58185184 | Carton - Common ( Plain Brown)       |
|                       | 58185162 | Carton - U5219-930                   |
|                       | 58347028 | Cleaning Tool Carton                 |
|                       | 58347024 | Cleaning Tool Carton - U5201-930     |
|                       | 58347040 | Cleaning Tool Carton - U5105-930     |
|                       | 58274014 | Cleaner Support                      |
|                       | 58385016 | Hard Bag Support                     |

**Agitator - 48414081**  
**Agitator - 48414075**

**Elite/ Elite II/ Dimension/ Legacy/ TurboPOWER/ Caddy Vac - Four Brush**  
**Caddy Vac - Four Brush**



| Ref. No. | Part No. | Description                                 |
|----------|----------|---|
|          | 48414081 | Agitator Assem. Complete (Natural Bristles) |
|          | 48414075 | Agitator Assem. Complete (Blue Bristles)    |
| 1        | 36423016 | Thread Guard - RH                           |
| 2        | 43267002 | Agitator Bearing Assem. (2)                 |
| 3        | 21347003 | Conical Washer (2)                          |
| 4        | 36422022 | Agitator End (2)                            |
| 5        | N/A      | Agitator Body                               |
| 6        | 32724013 | Agitator Shaft                              |
| 7        | 36423017 | Thread Guard - LH - AG                      |



| Ref. No. | Part No. | Description                                  |
|----------|----------|--|
|          | 43576142 | Motor Assem. Comp.                           |
|          | 43576181 | Motor Assem. Comp. (Replaced by 43576204)    |
| 1        | 214793DA | Screw-Self Tapping (4)                       |
| 2        | 38736033 | Fan Chamber                                  |
| 3        | 38755030 | Fan  |
| 4        | N/A      | Rivet - Semi Tubular (2)                     |
| 5        | N/A      | Motor Housing Assem.                         |
| 6        | N/A      | Motor Brush Holder (2)                       |
| 7        | N/A      | Motor Brush Assem. (2)                       |
| 8        | N/A      | Bearing                                      |
| 9        | N/A      | Bearing Retainer                             |
| 10       | 36914004 | Switch Bus Bar                               |
| 11       | 39116005 | Attachment Terminal                          |
| 12       | 28218043 | Switch Assem. - Early Models (Prior to 5/96) |
|          | 28161062 | Switch Assem. - Late Models (After 5/96)     |
| 13       | N/A      | Armature/Bearing Assem.                      |
| 14       | 37194046 | Motor End Cap Assem. - MW                    |
| 15       | N/A      | Field Assem.                                 |
| 16       | N/A      | Lamp Holder Assem.                           |
| 17       | 21312793 | Washer                                       |
| 18       | 38783020 | Duct Seal                                    |
| 19       | 41311016 | Motor Brush Holder Assem.                    |

ITEMS NOT ILLUSTRATED

- 38781013 Duct Seal (8 1/2" Long adhesive backed foam seal used on early models in place of item 18)
- 54821001 Tape (Roll)