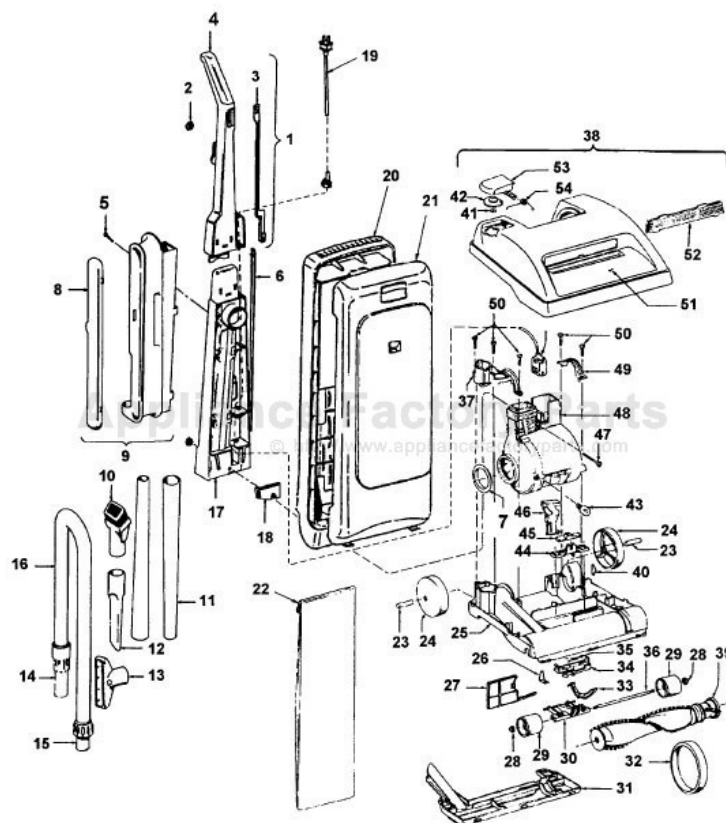


This Owner's Manual is provided and hosted by Appliance Factory Parts.



HOOVER U5219-930 Owner's Manual

[Shop genuine replacement parts for HOOVER
U5219-930](#)



[Find Your HOOVER Vacuum Cleaner Parts - Select From 1456 Models](#)

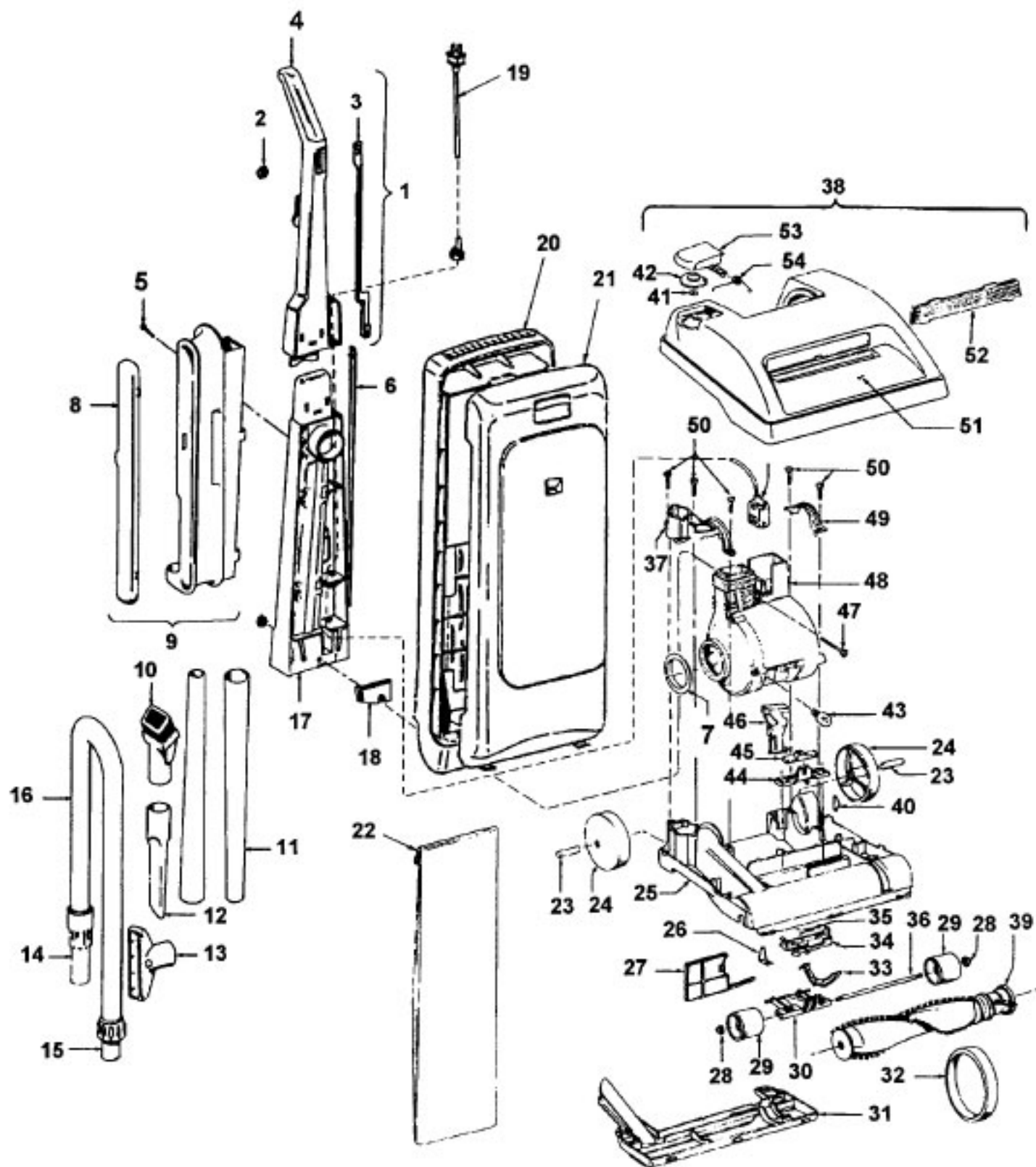
----- Manual continues below part list -----

Available Replacement Parts for HOOVER U5219-930

H-38528040	BELT VACUUM HOOVER OEM (1 PACK)
48414036	HOOVER ELITE BRUSH ROLLER
H-43267002	AGITATOR BEARING ASM
K-109289	BULB

**TurboPOWER
Legacy**

**Model U5101-930, U5201-930
Model U5105-930, U5219-930**



**TurboPOWER
Legacy**

Ref. No.	Part No.	Description
1	48663204	Handle Assem. Comp.
2	n/a	Switch Button
3	n/a	Switch Rod Upper
4	37911078	Handle Cap - ABE
5	21447220	Screw Self Tapping
6	38458046	Switch Rod Lower
7	38784016	Seal
8	37257170	Tool Door - U5101-930
9	41426113	Tool Hlder/Door Assem. - U5101-930, U5105-930
	41426019	Tool Holder - U5219-930, U5201-930
10	43414145	Dusting Brush Assem.
	43414146	Dusting Brush Assem. - ABR - U5105-930
11	38634078	Extension Tube
12	38617024	Crevice Tool
	38617026	Crevice Tool - ABR - U5105-930
13	38614029	Furniture Nozzle
	38614036	Furniture Nozzle - ABR - U5105-930
14	32288011	Hose Adapter - AG
15	32377005	Hose Connector - AG
16	43434035	Hose Assem. Comp. - ABX/AG - U5101-930, U5105-930
	43434088	Hose Assem. Comp - U5219-930 U5201-930
17	48669017	Lower Handle Assem.
18	36425081	Bag Housing bracket - ABE
19	46388027	Attachment Cord - AG - 35 FT.
20	37254069	Bag Housing - U5101-930, U5105-930
	37254068	Bag Housing - U5219-930, U5201-930
21	37257023	Bag Door - AG-U5101-930
	37257164	Bag Door - ABB - U5219-930
	37257226	Bag Door - AG - U5201-930
	37257247	Bag Door - ABM - U5105-930
22	4010100A	Throw-away Bag (3 Pk.)- Microfilt.
23	31523012	Wheel Shaft
24	38522011	Wheel Rear
25	42242266	Main Body Assem. (incl. it. 23, 24, 40, 46)
26	34572002	Cam Actuator Spring
27	38718005	Valve Gate
28	36131056	Wheel Retainer - U5101-930, U5201-930, U5219-930
	43248059	Front Wheel Assem.
29	43248059	Wheel - U5101-930, U5201-930, Lever (Use wheel assem. 43248059)
30	43248059	Front Wheel Assembly
31	37245108	Bottom Plate
32	38528040	Agitator Belt
33	38452089	Lever
34	38563013	Nozzle Height Adj. Cam
35	38351012	Spring
36	32563012	Wheel Shaft (Use 43248059)
37	38613029	Air Intake
38	42252A04	Hood Assem. - AG (Incl. It. 52, 53, 54) U5101-930, U5201-930
	42252292	Hood Assem. - ABB- (Incl. It. 52, 53, 54) U5219-930
	42252A66	Hood Assem. - ABM - U5105-930
39	48414081	Agitator Assem. Comp. (p-204)
40	13261AY	Rug Nozzle Rib Shoe
41	21362006	Speed Nut
42	38784056	Seal
43	27313101	Dirt Finder Lamp
44	38567009	Cam Actuator
45	38567014	Indicator Knob - AG
46	38458022	Handle Release Lever

**Model U5101-930, U5201-930
Model U5105-930, U5219-930**

Ref. No.	Part No.	Description
47	40201085	Handle Hardware Assem.
48	43576142	Motor Assem. Comp. - (p-202)
49	36131090	Motor Retainer Cap L.H.
50	21447217	Screw Self-Tapping
51	51669071	Hood Nameplate - U5101-930
	N/A	Hood Nameplate - U5219-930
	51669075	Hood Nameplate - U5201-930
	51669076	Hood Nameplate - U5105-930
52	39383097	Dirt Finder Lens
53	37257175	Door Assem. (incl. It. 41, 42)
54	38351011	Spring
ITEMS NOT ILLUSTRATED		
	3944201P	Cord Wrap
	36151006	Latch - U5201-930
	36151013	Latch - U5105-930
	38355008	Torsion Spring - U5201-930
	38355009	Torsion Spring - U5105-930
	37959105	Bag Housing Cap - U5201-930
	38733002	Bag Check Diaphragm - U5101-930
	51151004	Indicator Flag - BZ- U5101-930
	3944201P	ABE - Cord Wrap
Packaging Material		
	56511A43	Owners Manual - U5101-930, U5105-930
	56511234	Owner Manual - U5219-930, U5201-930
	58185184	Carton - Common (Plain Brown)
	58185162	Carton - U5219-930
	58347028	Cleaning Tool Carton
	58347024	Cleaning Tool Carton - U5201-930
	58347040	Cleaning Tool Carton - U5105-930
	58274014	Cleaner Support
	58385016	Hard Bag Support

Agitator - 48414081
 Agitator - 48414075

Elite/ Elite II/ Dimension/ Legacy/ TurboPOWER/ Caddy Vac - Four Brush
 Caddy Vac - Four Brush



Ref. No.	Part No.	Description
	48414081	Agitator Assem. Complete (Natural Bristles)
	48414075	Agitator Assem. Complete (Blue Bristles)
1	36423016	Thread Guard - RH
2	43267002	Agitator Bearing Assem. (2)
3	21347003	Conical Washer (2)
4	36422022	Agitator End (2)
5	N/A	Agitator Body
6	32724013	Agitator Shaft
7	36423017	Thread Guard - LH - AG



Ref. No.	Part No.	Description
	43576142	Motor Assem. Comp.
	43576181	Motor Assem. Comp. (Replaced by 43576204)
1	214793DA	Screw-Self Tapping (4)
2	38736033	Fan Chamber
3	38755030	Fan
4	N/A	Rivet - Semi Tubular (2)
5	N/A	Motor Housing Assem.
6	N/A	Motor Brush Holder (2)
7	N/A	Motor Brush Assem. (2)
8	N/A	Bearing
9	N/A	Bearing Retainer
10	36914004	Switch Bus Bar
11	39116005	Attachment Terminal
12	28218043	Switch Assem. - Early Models (Prior to 5/96)
	28161062	Switch Assem. - Late Models (After 5/96)
13	N/A	Armature/Bearing Assem.
14	37194046	Motor End Cap Assem. - MW
15	N/A	Field Assem.
16	N/A	Lamp Holder Assem.
17	21312793	Washer
18	38783020	Duct Seal
19	41311016	Motor Brush Holder Assem.

ITEMS NOT ILLUSTRATED

38781013	Duct Seal (8 1/2" Long adhesive backed foam seal used on early models in place of item 18)
54821001	Tape (Roll)