

Preferred Upright w/EDF

Model U5103-930

Ref. Description	Part No.	No.
1	48663204	Upper Handle Assem. Comp.
2	37911078	Handle Cap
3	46388027	Attachment Cord - AG - 35 Ft.
4	N/A	Switch Button - ACC
5	38355009	Torsion Spring
6	36151013	Latch - AG
7	41426019	Tool Holder Assem.
8	21447220	Screw Self Tapping
9	43414145	Dusting Brush Assem. - AG
10	38634078	Extension Tube - AG
11	38817024	Crevice Tool - AG
12	38814029	Furniture Nozzle - AG
13	43434033	Cl. Tool Hose Assem. - ABX/AG
14	38856035	Hose Connector
15	N/A	Switch Rod - Upper
16	36116014	Hose Connector Collar
17	32288011	Hose Adaptor
18	40201085	Handle Hardware Assem.
19	48669017	Lower Handle Assem. - ABE
20	38458046	Switch Rod - Lower
21	37254087	H.B. Hsg. - Broached
22	46515011	Battery Connector Assem.
23	31523012	Wheel Shaft
24	38522011	Wheel - Rear
25	38567008	Cam Actuator
26	38421070	Indicator Knob
27	38458022	Handle Release Lever
28	38784016	Seal
29	36131057	Motor Retainer Cap R.H.
30	21447217	Screw Self Tapping
31	38351013	Spring
32	4010100A	Throw-Away Bag Assem.
33	37257158	Door Assem. - ABM
34	42252A15	Hood Assem. - ABM
35	39383098	Dirt Finder Lens
36	36131090	Motor Retainer Cap L.H.

Ref. Description	Part No.	No.
37	43576142	Motor Assembly Comp. (P-202)
38	27313101	Dirt Finder Lamp
39	38528027	Belt
40	42243001	Main Hsg. Assem.
41	38563011	Nozzle Height Adj. Cam
42	13261AY	Rug Nozzle Rib Shoe
43	48414081	Agitator Assem. Comp. (P-204)
44	37245108	Bottom Plate
45	38452089	Lever (Use wheel assem. 43248059)
46	32563012	Wheel Shaft (Use 43248059)
47	43248059	Wheel
48	36131056	Wheel Retainer
49	43248059	Front Wheel Assem. (Incl. It. 45,46,47)
50	34572002	Cam Actuator Spring
51	37257185	Bag Hsg. Door Assem. - ABM
52	27479452	Lead Wire Tie
53	47823001	Microphone Connector Assem.
54	28161063	Switch
55	37943025	EDF Housing
56	46851030	EDF Printed Circuit Board Assem.
57	34378002	Wire Cover
58	32281004	Spacer - ABE
59	21447072	Screw Self Tapping
60	37248011	Switch & Battery Cover
61	N/A	Battery - 9 V

Items Not Illustrated

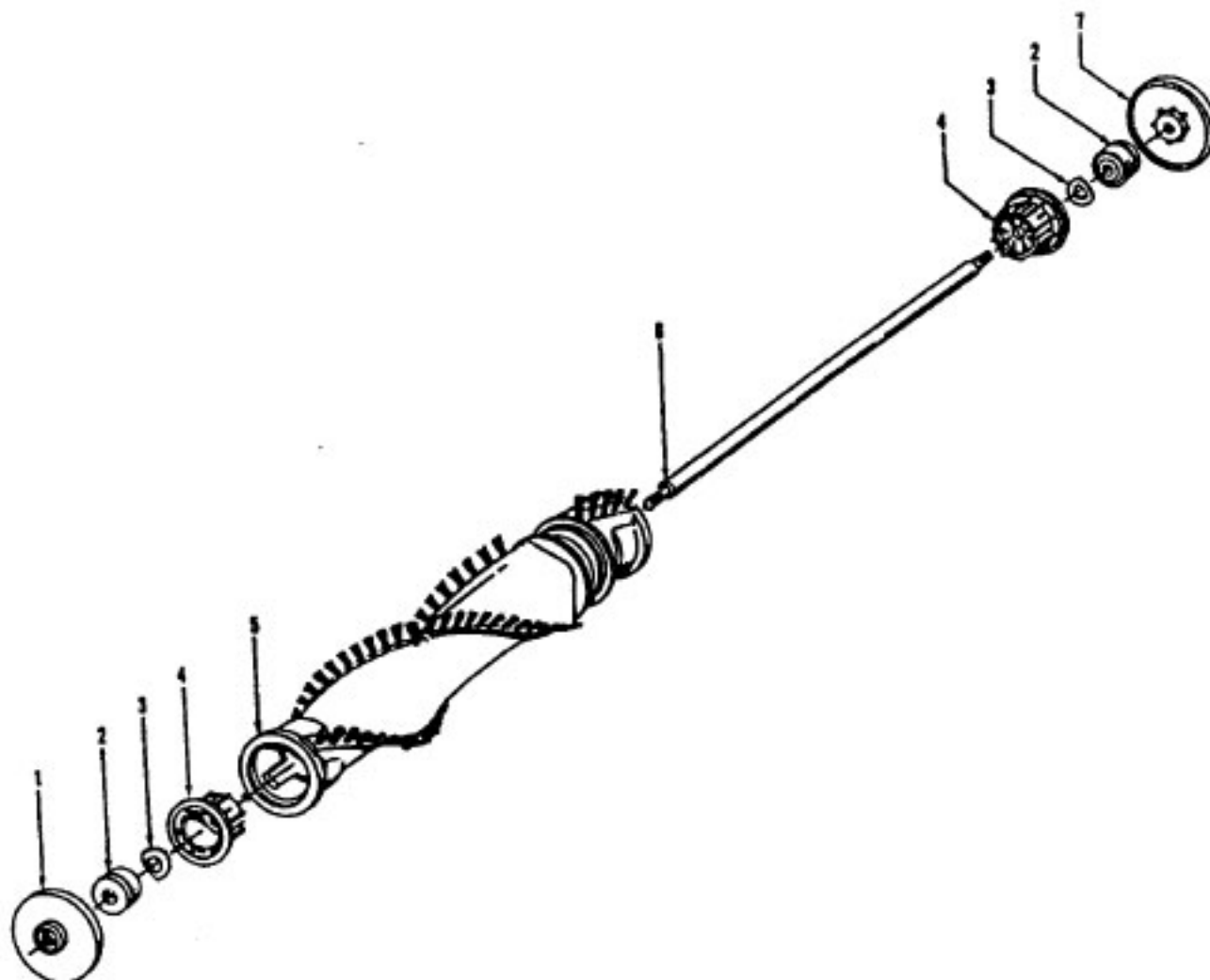
34141017	Foam Pad
51371027	Nameplate EDF Hsg.
51639111	Label "Stair Cleaning Handle"
36425081	Bag Hsg. Bracket
36433118	Tool Holder Connector - ABE

Packaging Material

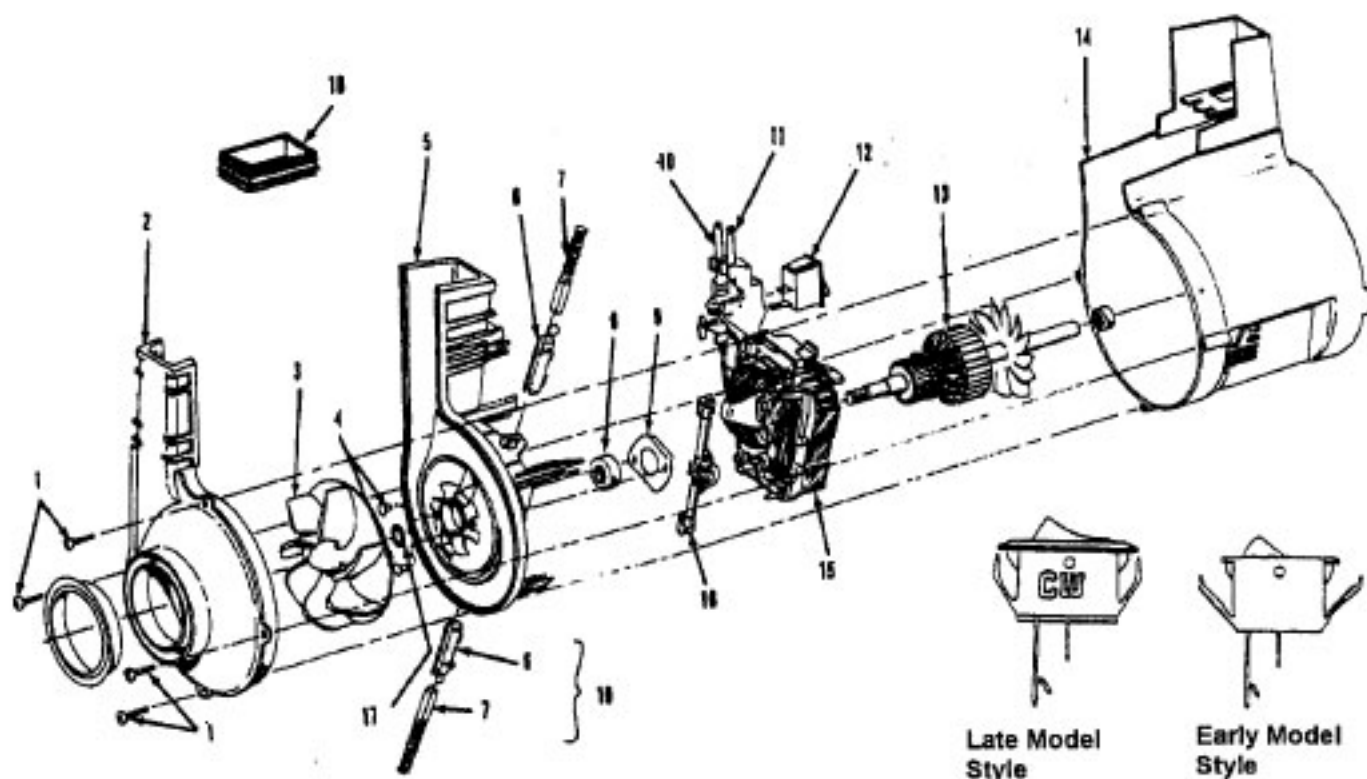
3944201P	Cord Wrap
56511A29	Owners Manual
58347021	Cleaning Tool Carton
58274014	Cleaner Support
58385020	Hard Bag Support
58185184	Carton - Common

Agitator - 48414081
 Agitator - 48414075

Elite/ Elite II/ Dimension/ Legacy/ TurboPOWER/ Caddy Vac - Four Brush
 Caddy Vac - Four Brush



Ref. No.	Part No.	Description
	48414081	Agitator Assem. Complete (Natural Bristles)
	48414075	Agitator Assem. Complete (Blue Bristles)
1	36423016	Thread Guard - RH
2	43267002	Agitator Bearing Assem. (2)
3	21347003	Conical Washer (2)
4	36422022	Agitator End (2)
5	N/A	Agitator Body
6	32724013	Agitator Shaft
7	36423017	Thread Guard - LH - AG



Ref. No.	Part No.	Description
	43576142	Motor Assem. Comp.
	43576181	Motor Assem. Comp. (Replaced by 43576204)
1	214793DA	Screw-Self Tapping (4)
2	38736033	Fan Chamber
3	38755030	Fan
4	N/A	Rivet - Semi Tubular (2)
5	N/A	Motor Housing Assem.
6	N/A	Motor Brush Holder (2)
7	N/A	Motor Brush Assem. (2)
8	N/A	Bearing
9	N/A	Bearing Retainer
10	36914004	Switch Bus Bar
11	39116005	Attachment Terminal
12	28218043	Switch Assem. - Early Models (Prior to 5/96)
	28161062	Switch Assem. - Late Models (After 5/96)
13	N/A	Armature/Bearing Assem.
14	37194046	Motor End Cap Assem. - MW
15	N/A	Field Assem.
16	N/A	Lamp Holder Assem.
17	21312793	Washer
18	38783020	Duct Seal
19	41311016	Motor Brush Holder Assem.

ITEMS NOT ILLUSTRATED

38781013	Duct Seal (8 1/2" Long adhesive backed foam seal used on early models in place of item 18)
54821001	Tape (Roll)