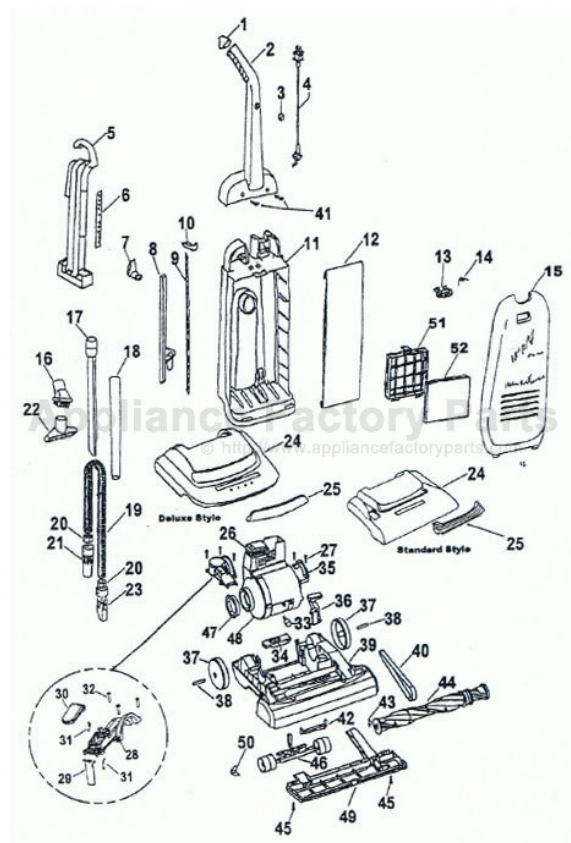


This Owner's Manual is provided and hosted by [Appliance Factory Parts](#).



HOOVER U5115-900 Owner's Manual

[Shop genuine replacement parts for HOOVER
U5115-900](#)



[Find Your HOOVER Vacuum Cleaner Parts - Select From 1456 Models](#)

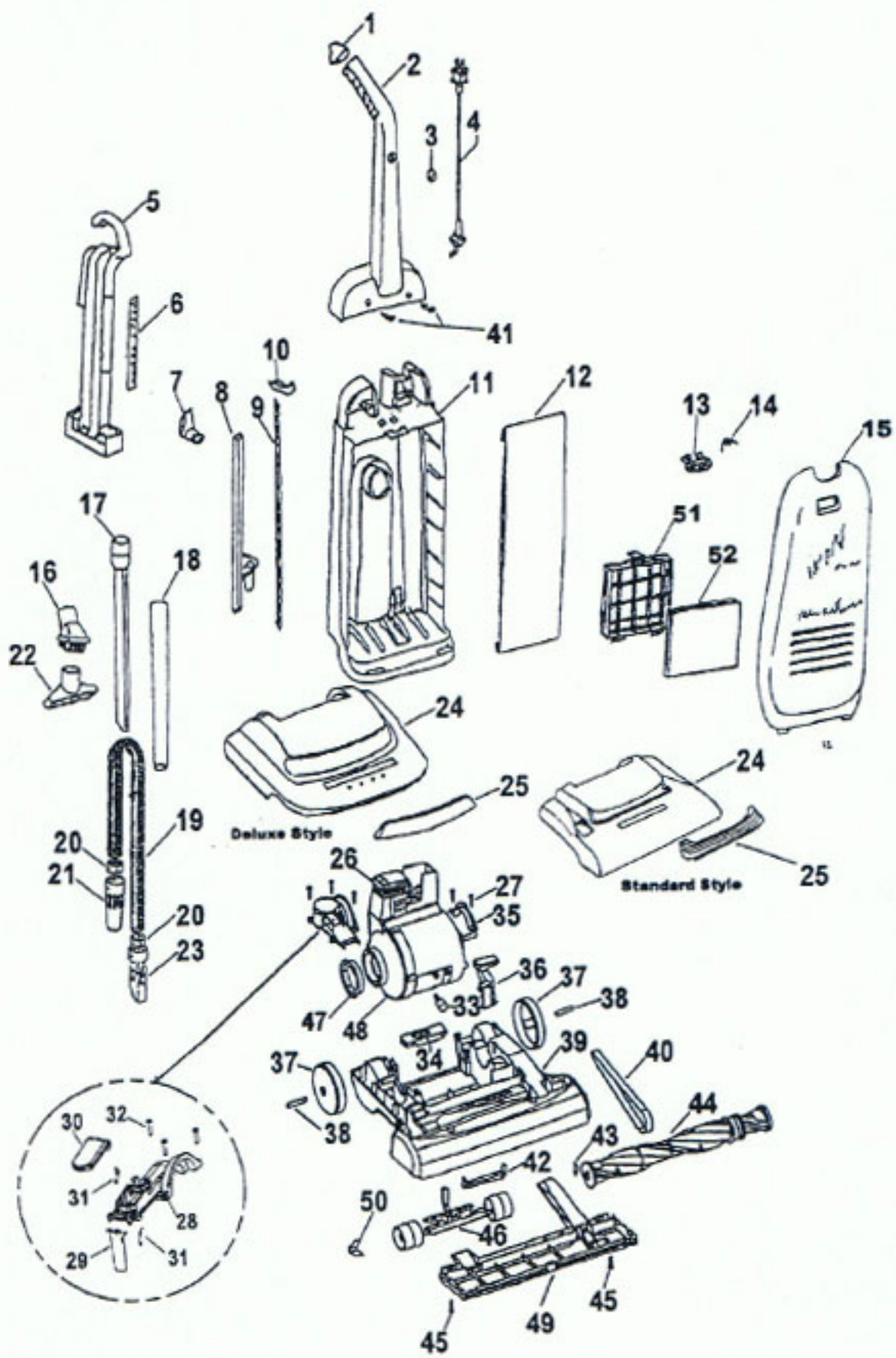
----- Manual continues below part list -----

Available Replacement Parts for HOOVER U5115-900

| | |
|----------------------------|---------------------------------|
| H-4010100Z | BAG OEM HOOVER 3 PACK |
| H-38528040 | BELT VACUUM HOOVER OEM (1 PACK) |
| 48414036 | HOOVER ELITE BRUSH ROLLER |
| H-43267002 | AGITATOR BEARING ASM |
| K-109289 | BULB |
| HR-5310 | UPRIGHT DUST BRUSH AFTERMARKET |

Caddy Vac

Models U5110-900, *U5110-970, U5111-900, U5112-900, U5114-900, U5115-900
 U5117-900, U5130-900, U5131-900, **U5131-920, U5132-900, U5133-900
 U5133-940, U5134-900, ***U5134-920, U5135-900



Caddy Vac

**Models U5110-900, *U5110-970, U5111-900, U5112-900, U5114-900, U5115-900
U5117-900, U5130-900, U5131-900, **U5131-920, U5132-900, U5133-900
U5133-940, U5134-900, ***U5134-920, U5135-900**

| Ref. No. | Part No. | Description | Ref. No. | Part No. | Description |
|----------|---|--|----------|----------|--|
| 1. | 37911078 | Handle Cap - ABE | 34. | 40309028 | Cam Actuator Assembly |
| 2. | 39466041 | Handle (Inc. item 1 & 3) | 35. | 38131090 | Motor Retainer Cap |
| 3. | N/A | Handle Plug (Inc. with item 2) | 36. | 38458058 | Handle Release Lever |
| 4. | 45388027 | Cord - 35 Ft. | 37. | 38522011 | Rear Wheel (2) |
| | 45388043 | Cord - 30' - 12 amp - U5115-900, U5117-900, U5134-900, U5134-920 | 38. | 31523012 | Wheel Shaft (2) |
| 5. | 35433151 | Tool Caddy (Inc. item 6) | 39. | 37241162 | Main Body - Std. - U5110-900, U5111-900, U5112-900, U5114-900 U5115-900, U5117-900 (Inc. its 37,38) |
| 6. | N/A | Nameplate (Inc. with item 5) | | 37241157 | Main Body - Dlx - U5130-900, U5131-900, U5132-900, U5133-900 U5134-900, U5134-920, U5135-900 (Inc. items 37,38) |
| 7. | 3944201P | Cord Wrap | 40. | 38528027 | Agitator Belt (use 38528040) |
| 8. | N/A | Included with item 11 | | 38528040 | Agitator Belt - U5115-900, U5117-900 U5134-900, U5134-920, U5135-900 |
| 9. | 38458057 | Switch Rod | 41. | 21447072 | Screw |
| 10. | 38433036 | Switch Rocker | 42. | 38563008 | Nozzle Height Adj. Cam |
| 11. | 37255026 | Bag Housing (Inc. items 7, 8, 9, 10) | 43. | 013261AY | Rug Nozzle Rib Shoe |
| 12. | 4010100Z | Throw Away Bag - 3 pack - Allergen Fil. | 44. | 48414075 | Agitator Assembly (P.204) |
| 13. | 36151013 | Bag Door Latch - U5110-900, U5112-900 U5114-900, U5117-900, U5133-900 | | 48414081 | Agitator Assem. - U5115-900, U5117-900, U5133-900 (P. 204) |
| | 36151010 | Bag Door Latch - U5111-900, U5115-900 U5130-900, U5131-900, U5132-900, U5134-900, U5134-920, U5135-900 | | 48414118 | Agitator Assem. - U5135-900 |
| 14. | 38355009 | Torsion Spring | 45. | 21447217 | Screw (2) |
| 15. | Note: All Bag Doors Include Items 13, 14, 51. | | 46. | 43248059 | Front Wheel Assembly (models prior to October 2001) |
| | 37254107 | Bag Door - ACT - U5110-900 | | 43248059 | Front Wheel Assembly (models after October 2001) |
| | 37254151 | Bag Door - ACT - U5111-900 | 47. | 38784016 | Seal |
| | 37254108 | Bag Door - ACF- U5112-900 | 48. | 43576142 | Motor Assembly (P. 202) |
| | 37254150 | Bag Door - ACF - U5114-900 | | 43576199 | Motor Assembly - 12 amp - U5115-900, U5117-900, U5134-900, U5134-920, U5133-940, U5135-900(P. 364) |
| | 37254185 | Bag Door - JM - U5115-900, U5134-900 U5134-920 | 49. | 37245047 | Bottom Plate |
| | 37254186 | Bag Door - ACX - U5117-900 | 50. | 34572002 | Cam Actuator Spring |
| | 37254120 | Bag Door - ABB - U5130-900 | 51. | 38426041 | Filter Retainer |
| | 37254152 | Bag Door - ABB - U5131-900 | 52. | 40110003 | Final Filter - (2 Pack) |
| | 37254121 | Bag Door - ACU - U5132-900 | | | |
| | 37254153 | Bag Door - AG - U5133-900, U5133-940 | | | |
| | 37254207 | Bag Door - AG - U5135-900 | | | |
| 16. | 43414174 | Dusting Brush Assembly | | | |
| 17. | 38617029 | Crevice Tool | | | |
| 18. | 38634078 | Extension Tube | | | |
| 19. | 43434265 | Hose Assembly (Inc. it's 20 thru 23) | | | |
| 20. | 36116014 | Hose Connector Collar | | | |
| 21. | 32288011 | Hose Adapter | | | |
| 22. | 3861401E | Furniture Nozzle | | | |
| 23. | 38656035 | Hose Connector | | | |
| 24. | Note: All Hood Assembly's include Item 25. | | | | |
| | 42252A63 | Hood - ACT- Std - U5110-900 | | | |
| | 42252B02 | Hood - ACT - Std - U5111-900 | | | |
| | 42252A67 | Hood - ACF- Std. - U5112-900 | | | |
| | 42252B01 | Hood - ACF - Std. - U5114-900 | | | |
| | 42252B33 | Hood - JM - Std. - U5115-900 | | | |
| | 42252B34 | Hood - ACX - Std. - U5117-900 | | | |
| | 42252A64 | Hood - ABB - Dlx - U5130-900 | | | |
| | 42252B03 | Hood - ABB - Dlx. - U5131-900 | | | |
| | 42252A68 | Hood - ACU - Dlx. - U5132-900 | | | |
| | 42252B04 | Hood -AG- Dlx. - U5133-900, U5133-940 | | | |
| | 42252B35 | Hood - JM - Dlx. - U5134-900, U5134-920 | | | |
| | 42252B61 | Hood -AG- Dlx. - U5135-900 | | | |
| 25. | 39383055 | Lens - U5110-900, U5111-900, U5112-900 U5114-900, U5115-900, U5117-900 | | | |
| | 39383056 | Lens - U5130-900, U5131-900 U5132-900, U5133-900, U5134-900 U5134-920 | | | |
| 26. | 38783020 | Duct Seal | | | |
| 27. | 21447217 | Screw (5) | | | |
| 28. | 38656034 | Duct Cover | | | |
| 29. | 38718010 | Valve Door | | | |
| 30. | 37257245 | Air Intake Door | | | |
| 31. | 38351020 | Spring (2) | | | |
| 32. | 21447217 | Screw (5) | | | |
| 33. | 27313101 | Dirt Finder Lamp | | | |

Items Not Illustrated

| | |
|----------|---|
| 56511A62 | Owner Manual |
| 56511A87 | Owner Manual - U5111-900, U5114-900, U5131-900, U5133-900 |
| 56511B20 | Owner Manual - U5115-900, U5117-900 U5134-900, U5134-920, U5133-940 |
| 56511B56 | Owner Manual - U5135-900 |
| 58175132 | Carton |
| 58185184 | Carton - Common - U5111-900, U5114-900, U5115-900, U5117-900, U5131-900, U5133-900, U5133-940 |
| 40201085 | Nut & Bolt - Lower Handle |
| 21447242 | Screw - Back of Bag Housing |
| 34123056 | Gasket (Main Body) U5115-900, U5117-900, U5134-900, U5134-920, U5133-940, U5135-900 |

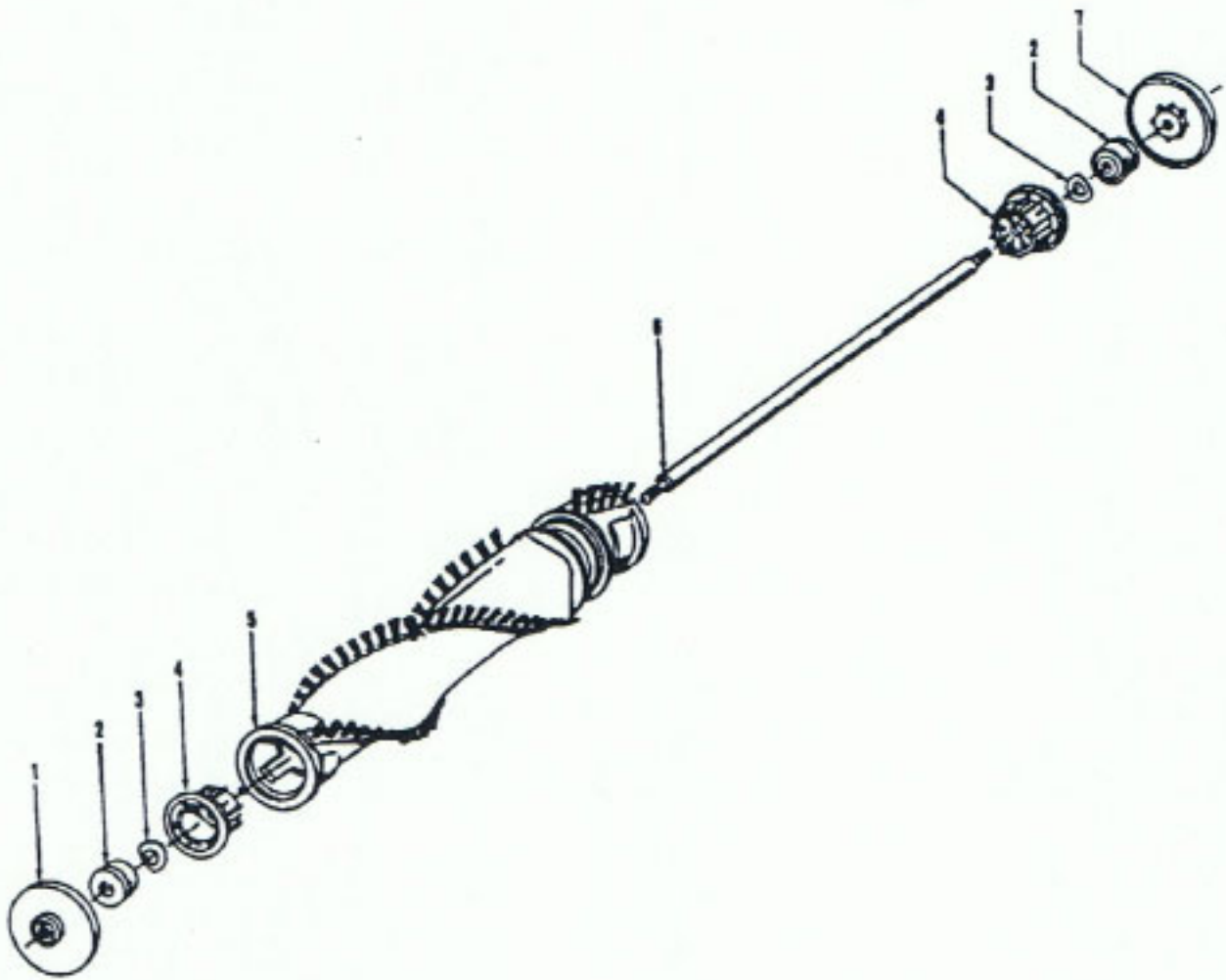
*The model U5110-970 is a bonus pack which includes a U5110-900 plus an additional Final Filter, 2 Belts, 1 Bulb, and 6 Throw Away Bags.

** The model U5131-920 is a bonus pack which includes a U5131-900 plus an additional 6 Allergen Throw Away Bags, 2 Belts, and 1 Final Filter.

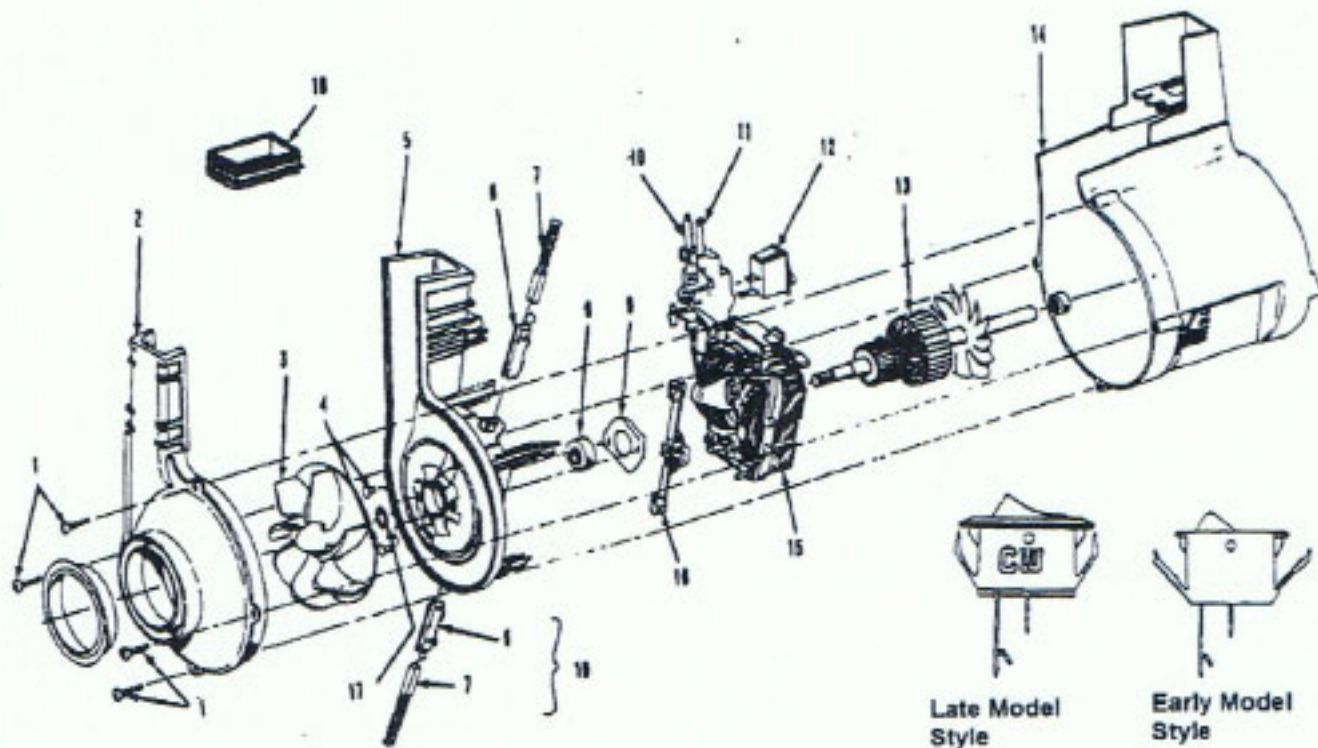
*** The model U5134-920 is a bonus pack which includes a U5134-900 plus an additional 8 Throw Away Bags, 2 Belts, and 1 Final Filter.

Agitator - 48414081
 Agitator - 48414075

Elite/ Elite II/ Dimension/ Legacy/ TurboPOWER/ Caddy Vac - Four Brush
 Caddy Vac - Four Brush



| Ref. No. | Part No. | Description |
|----------|----------|---|
| | 48414081 | Agitator Assem. Complete (Natural Bristles) |
| | 48414075 | Agitator Assem. Complete (Blue Bristles) |
| 1 | 36423016 | Thread Guard - RH |
| 2 | 43267002 | Agitator Bearing Assem. (2) |
| 3 | 21347003 | Conical Washer (2) |
| 4 | 36422022 | Agitator End (2) |
| 5 | N/A | Agitator Body |
| 6 | 32724013 | Agitator Shaft |
| 7 | 36423017 | Thread Guard - LH - AG |



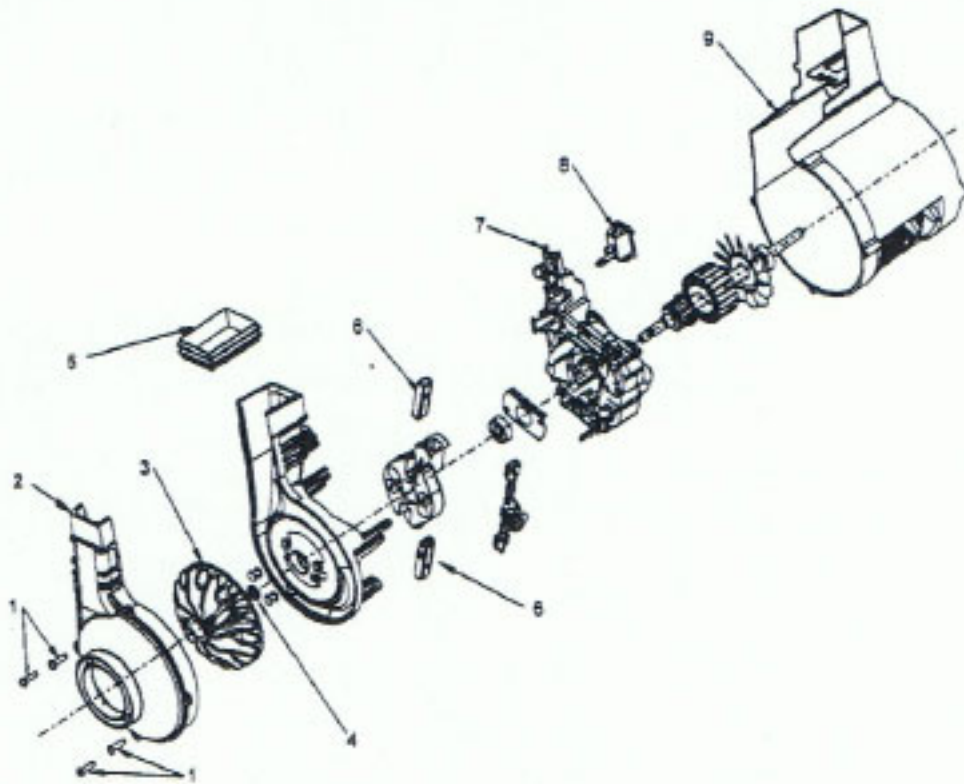
| Ref. No. | Part No. | Description |
|----------|----------|--|
| | 43576142 | Motor Assem. Comp. |
| | 43576181 | Motor Assem. Comp. (Replaced by 43576204) |
| 1 | 214793DA | Screw-Self Tapping (4) |
| 2 | 38736033 | Fan Chamber |
| 3 | 38755030 | Fan |
| 4 | N/A | Rivet - Semi Tubular (2) |
| 5 | N/A | Motor Housing Assem. |
| 6 | N/A | Motor Brush Holder (2) |
| 7 | N/A | Motor Brush Assem. (2) |
| 8 | N/A | Bearing |
| 9 | N/A | Bearing Retainer |
| 10 | 38914004 | Switch Bus Bar |
| 11 | 39116005 | Attachment Terminal |
| 12 | 28218043 | Switch Assem. - Early Models (Prior to 5/96) |
| | 28161062 | Switch Assem. - Late Models (After 5/96) |
| 13 | N/A | Armature/Bearing Assem. |
| 14 | 37194046 | Motor End Cap Assem. - MW |
| 15 | N/A | Field Assem. |
| 16 | N/A | Lamp Holder Assem. |
| 17 | 21312793 | Washer |
| 18 | 38783020 | Duct Seal |
| 19 | 41311016 | Motor Brush Holder Assem. |

ITEMS NOT ILLUSTRATED

| | |
|----------|--|
| 38781013 | Duct Seal (8 1/2" Long adhesive backed foam seal used on early models in place of item 18) |
| 54821001 | Tape (Roll) |

Motor - 43576200 - 12 Amp
43576199 - 12 Amp
43576204 - 8 Amp
43576205 - 12 Amp

Breathe Easy - WidePath Models
Elite / Legacy Style Models
Breathe Easy with headlight Models
Non-Headlight Elite / Legacy Models



| Ref. No. | Part No. | Description |
|----------|----------|-----------------------------|
| | 43576200 | Motor Assembly Complete |
| | 43576199 | Motor Assembly Complete |
| | 43576204 | Motor Assembly Complete |
| | 43576205 | Motor Assembly Complete |
| 1 | 214793DA | Screw-Self Tapping (4) |
| 2 | 38736033 | Fan Chamber |
| 3 | 43565006 | Fan/Nut Assembly |
| 4 | 21312793 | Washer |
| 5 | 38783020 | Duct Gear |
| 6 | 41311022 | Motor Brush Assem. (2) |
| 7 | 36914006 | Switch Bus Bar |
| 8 | 28161068 | Switch Assembly |
| 9 | 37194046 | Motor End Cap Assembly -ABE |