

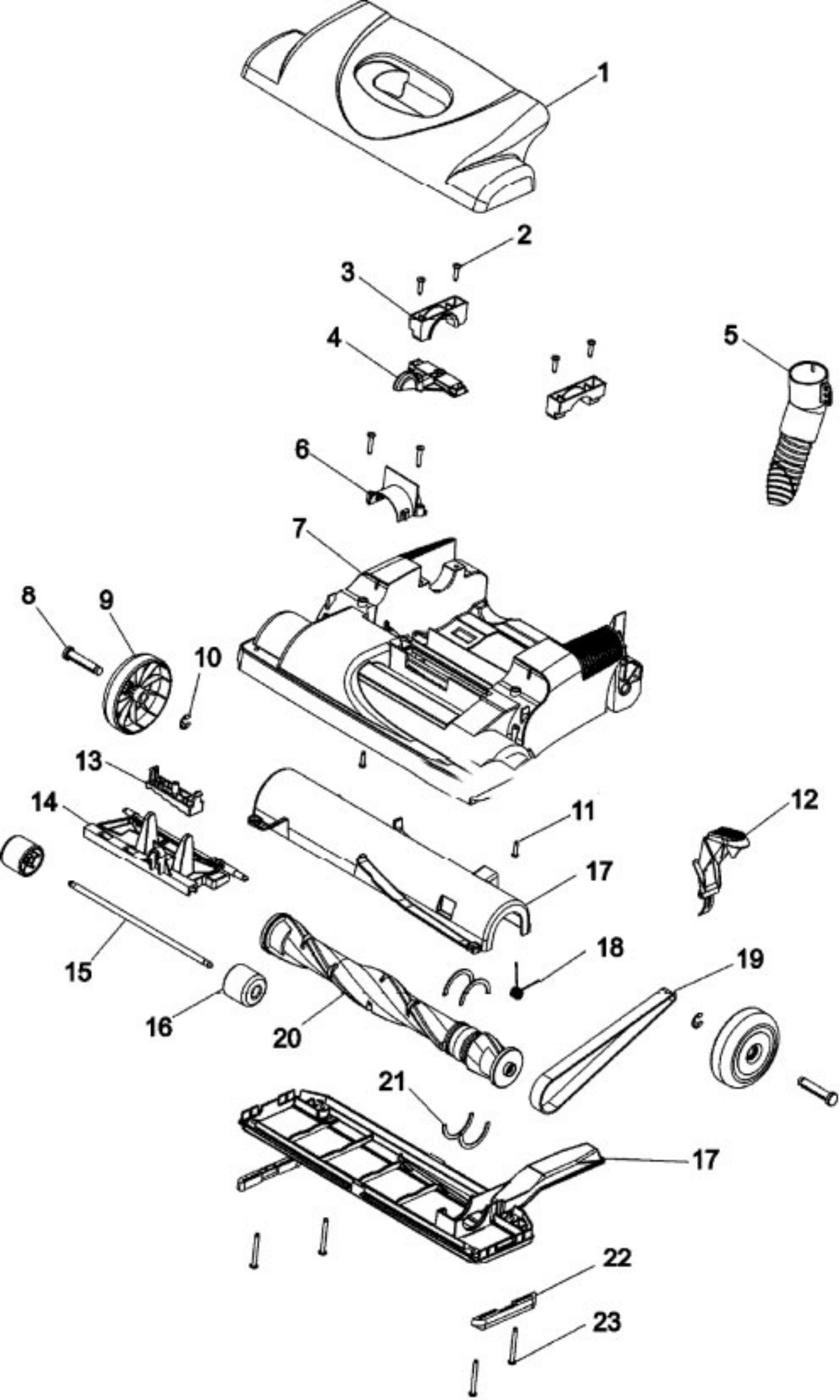
Model Number: U5155900

BOM/Serial #: U5155900

Graphic Title: HANDLE AND UPPER BODY

Image	Key	Part Number	Description	Substitution	Qty.
1	1	43434248	HOSE ASSEM COMP		1
1	2	39466065	UPPER HANDLE		1
1	3	3944201P	CORD WRAP		1
1	4	3861401E	FURNITURE NOZZLE		1
1	5	41311017	MOTOR BRUSH		1
1	6	38617027	CREVICE TOOL-ABR		1
1	7	38634078	EXTENSION TUBE-AG		2
1	8	91001055	DIRT CUP LID-AGD		1
1	9	38355015	TORSION SPRING		1
1	10	36151032	LATCH-DIRT CUP		1
1	11	38421104	LATCH ACTUATOR		1
1	12	36426053	PRE-FILTER SCREEN		1
1	13	43613026	Primary Filter-U5344	40110008	1
1	14	36426056	FILTER SUPPORT W/OVERMOLD		1
1	15	21447041	SCREW		2
1	16	91001056	DIRT CUP-ACW		1
1	17	38784089	INTAKE SEAL		1
1	18	36433116	LOWER WALL HOLDER		1
1	19	36433117	UPPER WAND HOLDER		1
1	20	91001057	CARRY HANDLE-AGD		1
1	21	90001008	BAG HOUSING		1
1	22	31178017	HOSE CONNECTOR GASKET		1
1	23	38641005	DIRT DUCT		1
1	24	38641005	DIRT DUCT		1
1	25	40201149	HANDLE HARDWARE ASSEM		1
1	26	21447242	SCREW-SELF TAPPING		4
1	27	34311004	WIRE OPENING SEAL		1
1	28	46383334	CORD-35'-WT		1
1	29	27482230	STRAIN RELIEF		1
1	30	38766008	FINAL FILTER		1
1	31	36426060	FILTER HOLDER-STD		1
1	32	38765019	SECONDARY FILTER		1
1	33	21447242	SCREW-SELF TAPPING		1
1	34	38784084	EXHAUST SEAL-DIRT CUP		1
1	35	36426066	SEC FILTER RETAINER		1

Image	Key	Part Number	Description	Substitution	Qty.
1	36	37196158	MOTOR COVER-ABE		1
1	37	21447230	SCREW-SELF TAPPING-F		5
1	38	47173016	WIRING HARNESS-ASSEM	47173023	1
1	39	27313101	LAMP		1
1	40	39383107	LENS-CP		1
1	41	21447072	SCREW		1
1	42	21447228	SCREW-SELF-TAPPING		2
1	43	37944010	COVER-ABE		1
1	44	36322035	MOTOR MOUNT-LRG	36322037	1
1	45	43576188	MOTOR ASSEM COMP.		1
1	46	28382086	THERMOL PROTECTOR		1
1	47	36322030	MOTOR MOUNT-SMALL		1
1	48	28161067	SWITCH-WT-.025 TERM		1



Model Number: U5155900

BOM/Serial #: U5155900

Graphic Title: FOOT

Image	Key	Part Number	Description	Substitution	Qty.
1	1	92001062	STD HOOD-15 PRINTED-AGD		1
1	2	21447072	SCREW		6
1	3	36131094	TRUNNION COVER-ABE		2
1	4	38421087	NOZZLE ADJ. LEVER-AG	40309004	1
1	5	43431215	ANGLED HOSE CONN. AS	43431005	1
1	6	36171044	HOSE CLAMP-ABE		1
1	7	92001038	MAIN BODY W/GUARD-15 IN-ABE		1
1	8	32434007	REAR AXLE		2
1	9	38522077	REAR WHEEL		2
1	10	160017--	LOCK RING		2
1	11	21447228	SCREW-SELF-TAPPING		2
1	12	38458043	HANDLE RELEASE LEVER		1
1	13	38563007	NOZZLE ADJ. CAM-ABE-	40309004	1
1	14	36432027	FRONT WHEEL SUPPORT-CP		1
1	14	92001026	FRONT WHEEL ASSEM COMPLETE		1
1	15	32541007	WHEEL SHAFT-AY		1
1	16	38521009	FRONT WHEEL-AG		2
1	17	40309026	BOTTOM PLATE DUCT CUP		1
1	18	38355010	TORSION SPRING		1
1	19	38528033	BELT		1
1	20	48414110	AGITATOR-13-SERVICE		1
1	21	38781053	AGITATOR PULLEY SEAL		4
1	22	36235088	FURNITURE GUARD FILLER		2
1	23	21447121	SCREW		4