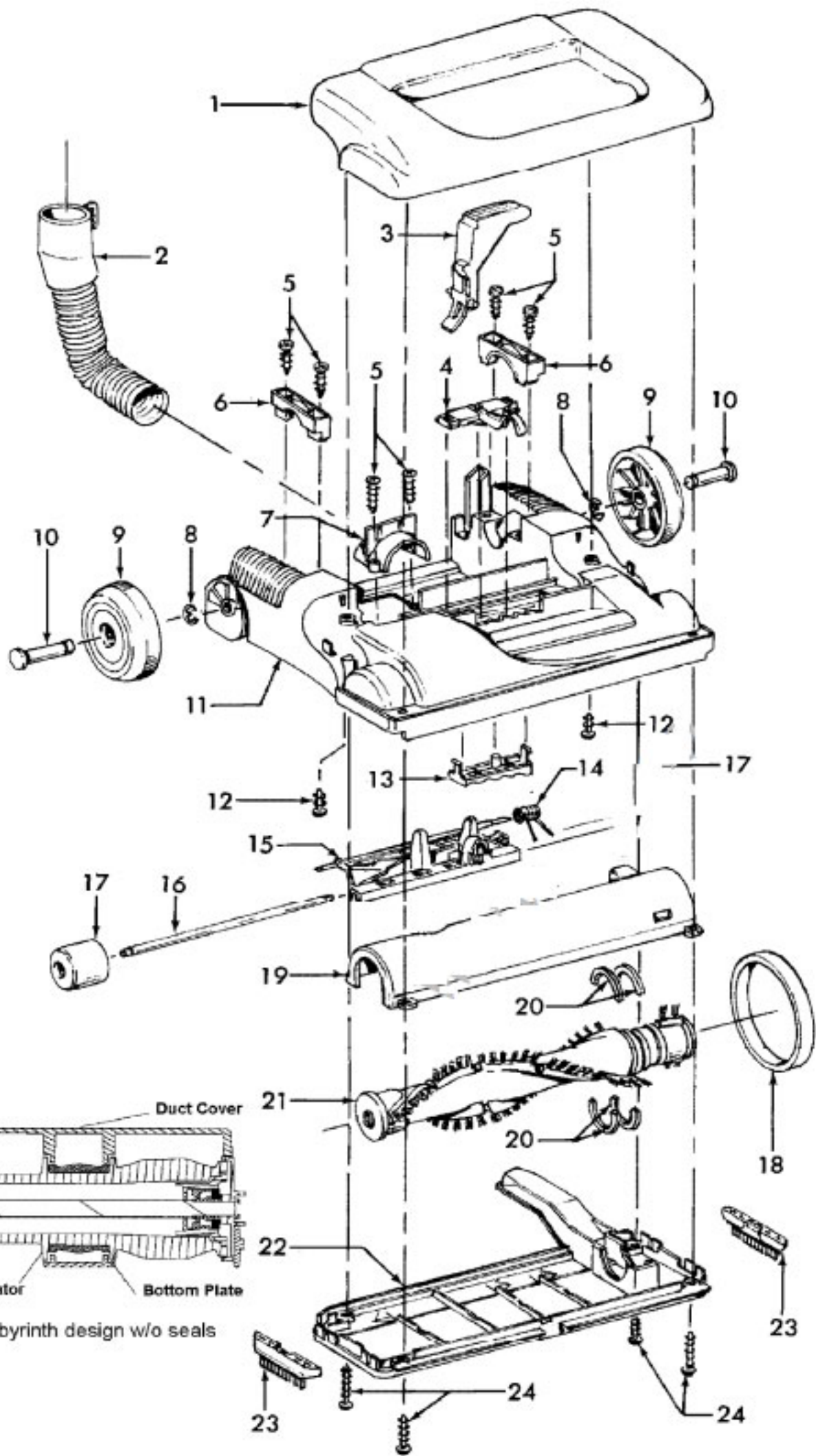


Model Number: U5156900
BOM/Serial #: U5156900
Graphic Title: MAIN BODY ASSEMBLY

Image	Key	Part Number	Description	Substitution	Qty.
1	1	39466065	UPPER HANDLE		1
1	2	3944201P	CORD WRAP		1
1	3	27479307	CABLE TIE		1
1	4	27618508	WIRE CONNECTOR		1
1	5	38355015	TORSION SPRING		1
1	6	28161067	SWITCH-WT-.025 TERM		1
1	7	21447041	SCREW		1
1	8	37259003	UPPER HOUSING		1
1	9	40201149	HANDLE HARDWARE ASSEM		1
1	10	27482230	STRAIN RELIEF		1
1	11	46383334	CORD-35'-WT		1
1	12	31178017	HOSE CONNECTOR GASKET		1
1	13	38641005	DIRT DUCT		1
1	14	43434248	HOSE ASSEM COMP		1
1	15	21447242	SCREW-SELF TAPPING		4
1	16	36433112	TOOL/HOSE HOLDER	92001070	1
1	17	23149002	SCREW-SELF TAPPING		1
1	18	43431005	HOSE DOOR ASSEM-SERVICE		1
1	19	34311004	WIRE OPENING SEAL		1
1	20	3861401E	FURNITURE NOZZLE		1
1	21	38617027	CREVICE TOOL-ABF		1
1	22	92001017	DUSTING BRUSH/ASSEMBLY-ABR		1
1	23	38634078	EXTENSION TUBE/AG		2
1	24	36322035	MOTOR MOUNT-LRG	36322037	1
1	25	43576188	MOTOR ASSEM COMP.		1
1	25	41311017	MOTOR BRUSH		2
1	25	90001206	FAN ASSEMBLY		1
1	26	28382086	THERMOL PROTECTOR		1
1	26	51873001	TOC LABEL-WINDTUNNEL		1
1	27	21447230	SCREW-SELF TAPPING-F		5
1	28	37196158	MOTOR COVER-ABE		1
1	29	21447228	SCREW-SELF-TAPPING		2
1	30	39383107	LENS-CP		1
1	31	38781061	ROPE SEAL		1
1	32	37944010	COVER-ABE		1

Image	Key	Part Number	Description	Substitution	Qty.
1	33	21447072	SCREW		1
1	34	47173023	WIRING HARNESS		1
1	35	27313101	LAMP		1
1	36	34131019	WIRE OPENING PLUG		1
1	37	36322030	MOTOR MOUNT-SMALL		1
1	38	38765019	SECONDARY FILTER		1
1	39	36426066	SEC FILTER RETAINER		1
1	40	40201149	HANDLE HARDWARE ASSEM		1
1	41	36426060	FILTER HOLDER-STD		1
1	42	38766008	FINAL FILTER		1
1	43	38784089	INTAKE SEAL		1
1	44	36151032	LATCH-DIRT CUP		1
1	45	36426053	PRE-FILTER SCREEN		1
1	46	36433116	LOWER WAND HOLDER		1
1	47	36433117	UPPER WAND HOLDER		1
1	48	36426056	FILTER SUPPORT W/OVERMOLD		1
1	49	37249053	DIRT CUP LID-AGF		1
1	50	38421104	LATCH ACTUATOR		1
1	51	91001054	DIRT CUP		1
1	52	40110008	PRIMARY FILTER		1
1	53	38784084	EXHAUST SEAL-DIRT CUP		1
1	56	56511B49	OWNER MANUAL		1



Model Number: U5156900
BOM/Serial #: U5156900
Graphic Title: HOOD AND AGITATOR

Image	Key	Part Number	Description	Substitution	Qty.
1	1	92001037	STD HOOD-15"-AGF		1
1	2	43431005	HOSE DOOR ASSEM-SERVICE		1
1	3	38458043	HANDLE RELEASE LEVER		1
1	4	40309004	NOZZLE ADJ LEVER & CAM KIT		1
1	5	21447072	SCREW		6
1	6	36131094	TRUNNION COVER-ABE		1
1	7	36171044	HOSE CLAMP-ABE		1
1	8	160017--	LOCK RING		2
1	9	38522077	REAR WHEEL		2
1	10	32434012	REAR AXLE	32434007	2
1	11	92001038	MAIN BODY W/GUARD-15 IN-ABE		1
1	12	21447228	SCREW-SELF-TAPPING		2
1	13	40309004	NOZZLE ADJ LEVER & CAM KIT		1
1	14	38355010	TORSION SPRING		1
1	15	36432027	FRONT WHEEL SUPPORT-CP		1
1	15	92001026	FRONT WHEEL ASSEM COMPLETE		1
1	16	32541007	WHEEL SHAFT-AY		1
1	17	38521009	FRONT WHEEL-AG		1
1	18	38528033	BELT		1
1	19	40309026	BOTTOM PLATE/DUCT CO		1
1	20	38781053	AGITATOR PULLEY SEAL		1
1	21	48414116	AGITATOR-15-SFRVMOF		1
1	22	40309026	BOTTOM PLATE DUCT CO		1
1	23	36235088	FURNITURE GUARD FILLER		1
1	24	21447121	SCREW		1
1	25	3861401E	FURNITURE NOZZLE		1
1	25	38617027	CREVICE TOOL-ABR		1
1	25	92001017	DUSTING BRUSH ASSEMBLY-ABR		1