

This Owner's Manual is provided and hosted by [Appliance Factory Parts](#).



# HOOVER U5164-900 Owner's Manual

[Shop genuine replacement parts for HOOVER  
U5164-900](#)

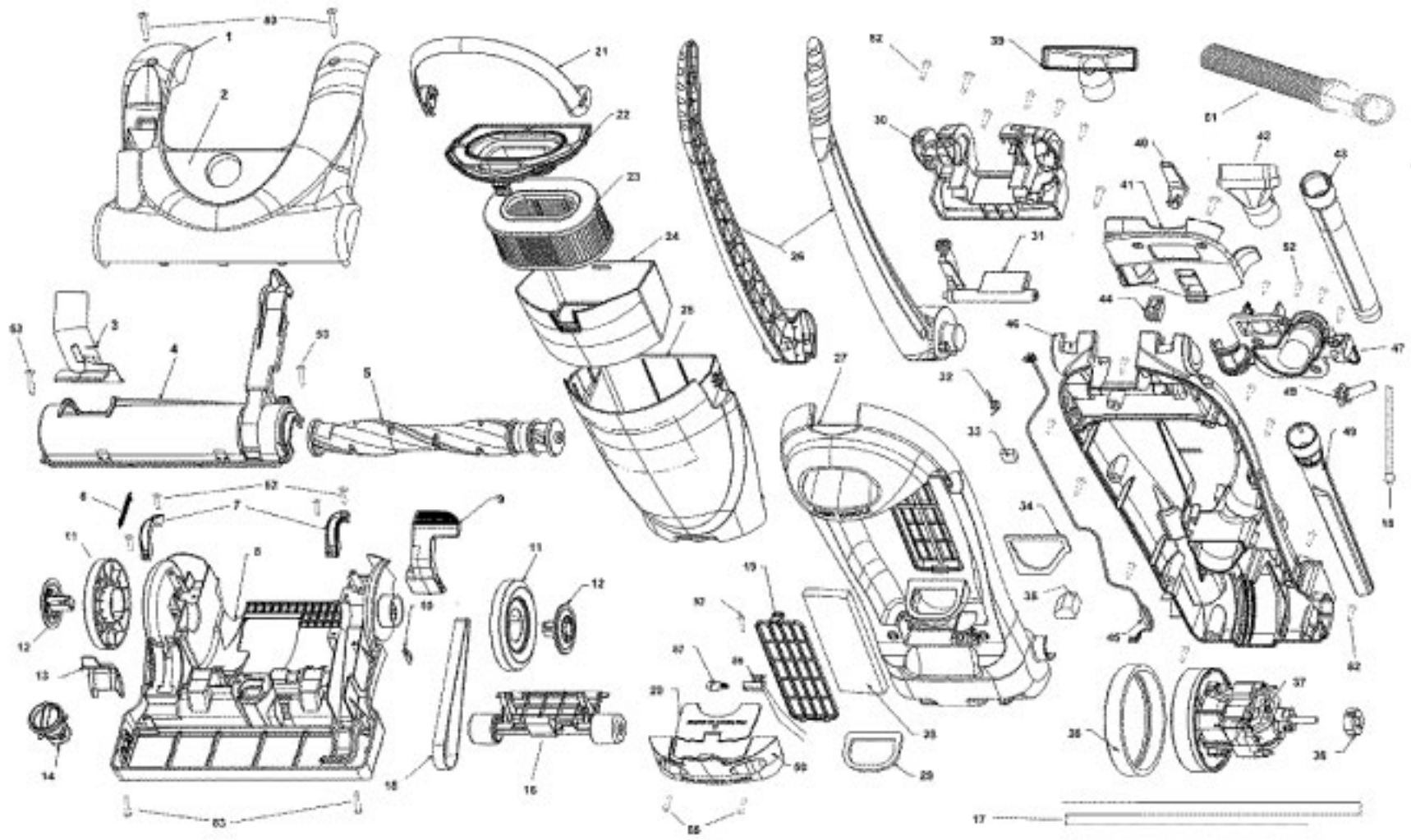


[Find Your HOOVER Vacuum Cleaner Parts - Select From 1456 Models](#)

----- Manual continues below part list -----

## Available Replacement Parts for HOOVER U5164-900

<a href="#">H-38528040</a>	BELT VACUUM HOOVER OEM (1 PACK)
<a href="#">HR-1809</a>	FILTER FOR VACUUM CLEANER--HOOVER
<a href="#">HR-1805</a>	FITLER HOOVER 2 PACK AFTERMARKET
<a href="#">HR-3500</a>	HEADLIHT BULB
<a href="#">H-43248062</a>	FRONT WHEEL ASSY
<a href="#">HR-5310</a>	UPRIGHT DUST BRUSH AFTERMARKET



**Model Number: U5164900**  
**BOM/Serial #: U5164900**  
**Graphic Title: MOTOR, HANDLE, HOSE, MAINBODY**

Image	Key	Part Number	Description	Substitution	Qty.
1	1	37253A12	HOOD-AG-U5167-900		1
1	1	37253A13	HOOD-AFS-U5162-900		1
1	1	37253A10	HOOD-ACU-U5163		1
1	2	51351010	NAMEPLATE-U5161		1
1	3	38646085	LOWER DUCT		1
1	4	37243040	AGITATOR HSG		1
1	5	48414127	AGITATOR		1
1	6	38335026	DEBRIS DOOR SPRING		1
1	7	36131118	TRUNNION COVER-ABE		1
1	8	37242137	MAIN BODY		1
1	9	38458069	HANDLE RELEASE LEVER		1
1	10	013261AY	RIB SHOES		1
1	11	38522086	REAR WHEEL		1
1	11	37253A36	HOOD-AGA-U5164		1
1	12	37912016	WHEEL HUB		1
1	13	37257300	DEBRIS DOOR		1
1	14	38562020	NOZ HEIGHT ADJ CAM	38562022	1
1	15	38528040	AG BELT-12 AMP BULK		1
1	16	43248062	FRONT WHEEL ASSEM	90001005	1
1	17	38781076	ROPE SEAL GASKET		1
1	18	46383348	ATTACHMENT CORD		1
1	19	36426061	FINAL FILTER RETAINER		1
1	20	37248005	BULB ACCESS DOOR		1
1	21	39457045	DIRT CUP CARRY HDL		1
1	22	37249037	DIRT CUP LID W/SEAL		1
1	23	40130050	CARTRIDGE FILTER		1
1	24	36426065	FILTER SUPPORT		1
1	25	38775098	DIRT CUP-SERVICE		1
1	26	39453001	UPPER HANDLE ASSEMBLY		1
1	27	37254221	FRT HSING-AG-U5167		1
1	27	37254234	FRONT HOUSING - AGA - U5164-90		1
1	27	37254223	FRT HSING-AFS-U5162		1
1	27	37254220	FRT HSING-ACU-U5163		1
1	28	38766008	FINAL FILTER		1
1	29	38785019	INLET SEAL		1

Image	Key	Part Number	Description	Substitution	Qty.
1	30	37258161	HANDLE RETAINER COVER		1
1	31	36151033	PIVOT LATCH LEVER		1
1	32	38355016	PIVOT LATCH SPRING		1
1	33	34131010	PLUG		1
1	34	38783032	DUCT SEAL		1
1	35	34131019	WIRE OPENING PLUG		1
1	36	36322037	MOTOR MOUNT-LARGE		1
1	37	43576188	MOTOR ASSEM COMP.		1
1	38	36322030	MOTOR MOUNT-SMALL		1
1	39	3861401E	FURNITURE NOZZLE		1
1	40	3944201P	CORD WRAP		1
1	41	36433182	TOOL HLDR UPPER		1
1	42	43414174	DUSTING BRUSH ASSEM-		1
1	43	38634091	EXTENSION TUBE-14 IN		1
1	44	28161067	SWITCH-WT-.025 TERM		1
1	45	28382094	THERMAL PROTECTOR		1
1	46	37255035	REAR HOUSING		1
1	47	36433181	TOOL HLDR LOWER		1
1	48	36215028	CORD PROTECTOR-WTBGL		1
1	49	38617029	CREVICE TOOL-ABR		1
1	50	39383118	DIRT FINDER/LENS		1
1	51	43431224	HOSE ASSEMBLY		1
1	52	21447242	SCREW-SELF TAPPING		1
1	53	21447072	SCREW		1
1	54	21447269	SCREW		1
1	55	017001FW	SCREW		1
1	56	47173040	WIRING HARNESS-U5161		1
1	57	27313107	BULB		1
1	58	56511B84	OWNER MANUAL-U5167		1
1	58	27618508	WIRE CONNECTOR		1
1	58	21447269	SCREW		1
1	58	56511B72	OWNER MANUAL		1
1	58	49811120	LEAD WIRE-WHITE-U516		1
1	58	43434042	EXTRA HOSE ASM COMP		1
1	58	49811117	LEAD WIRE-PURPLE-U51		1