

This Owner's Manual is provided and hosted by [Appliance Factory Parts](#).



# HOOVER U5170-900 Owner's Manual

[Shop genuine replacement parts for HOOVER  
U5170-900](#)

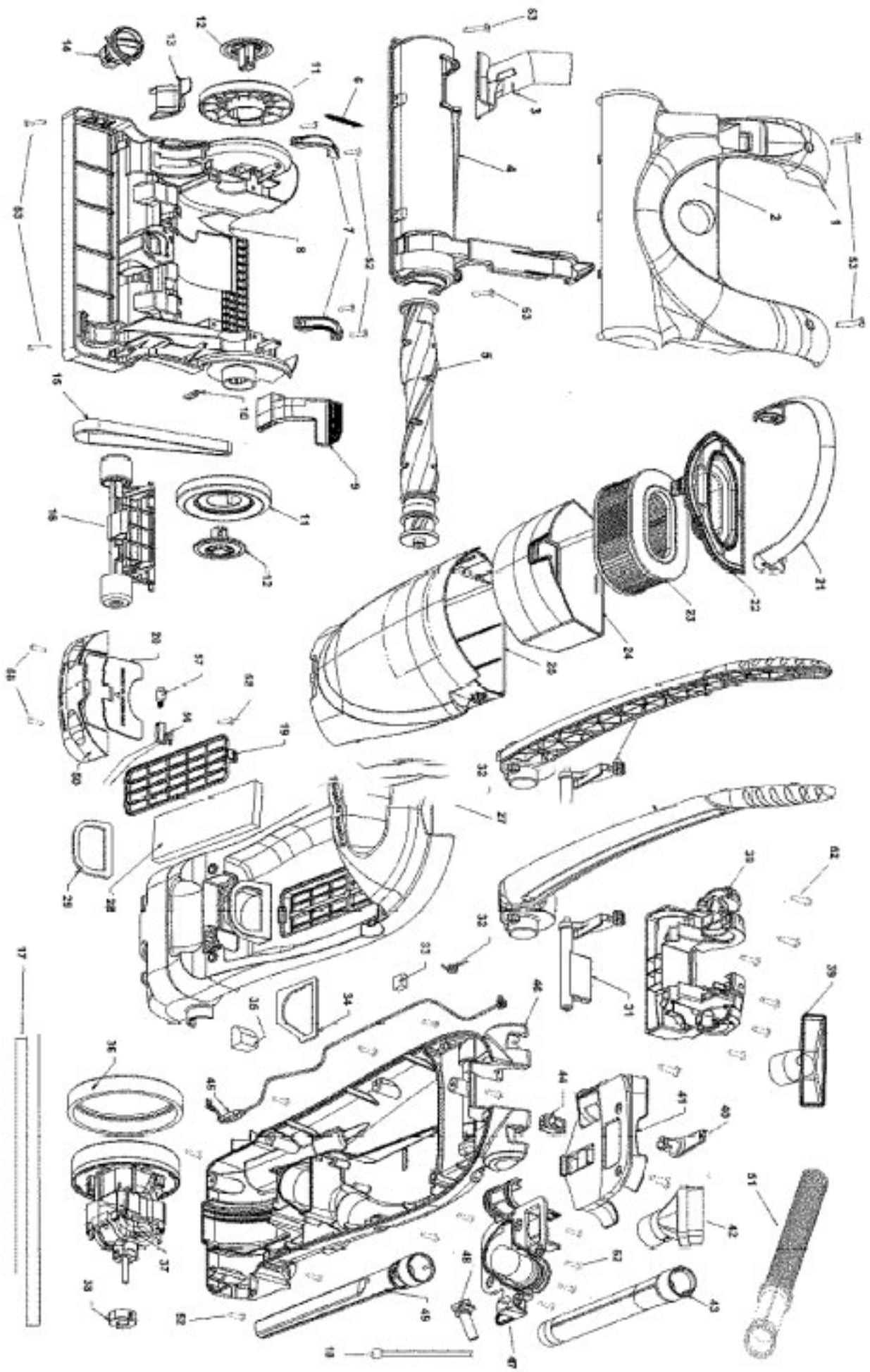


[Find Your HOOVER Vacuum Cleaner Parts - Select From 1456 Models](#)

----- Manual continues below part list -----

## Available Replacement Parts for HOOVER U5170-900

<a href="#">H-38528040</a>	BELT VACUUM HOOVER OEM (1 PACK)
<a href="#">HR-1809</a>	FILTER FOR VACUUM CLEANER--HOOVER
<a href="#">HR-1805</a>	FITLER HOOVER 2 PACK AFTERMARKET
<a href="#">HR-2015</a>	ROLLER BRUSH ASSY
<a href="#">HR-3500</a>	HEADLIHT BULB
<a href="#">H-43248062</a>	FRONT WHEEL ASSY
<a href="#">HR-5310</a>	UPRIGHT DUST BRUSH AFTERMARKET



**Model Number: U5170900**  
**BOM/Serial #: U5170900**  
**Graphic Title: COMPLETE ASSEMBLY**

Image	Key	Part Number	Description	Substitution	Qty.
1	1	37253A33	HOOD-15-AGF		1
1	2	51351013	NAMEPLATE		1
1	3	38646085	LOWER DUCT		1
1	4	37243044	AGITATOR HOUSING		1
1	5	48414115	AGITATOR-15-SERVICE		1
1	6	38335026	DEBRIS DOOR SPRING		1
1	7	36131118	TRUNNION COVER-ABE		1
1	8	37242141	MAIN BODY-ABE-15"		1
1	9	38458070	HANDLE REL LEVER		1
1	10	013261AY	RIB SHOES		1
1	11	38522086	REAR WHEEL		1
1	12	37912016	WHEEL HUB		1
1	13	37257300	DEBRIS DOOR		1
1	14	38562022	NOZZLE HEIGHT ADJ CAM		1
1	15	38528040	AG BELT-12AMP BULK		1
1	16	43248062	FRONT WHEEL ASSEM	90001005	1
1	17	38781076	ROPE SEAL GASKET		1
1	18	46383348	ATTACHMENT CORD		1
1	19	36426061	FINAL FILTER RETAINER		1
1	20	37248005	BULB ACCESS DOOR		1
1	21	39457047	DIRT CUP CARRY HDL		1
1	22	37249037	DIRT CUP LID W/SEAL		1
1	23	40130050	CARTRIDGE FILTER		1
1	24	36426065	FILTER SUPPORT		1
1	25	38775098	DIRT CUP-SERVICE		1
1	26	39453001	UPPER HANDLE ASSEMBLY		1
1	27	37254238	FRONT HOUSING-AGF		1
1	28	38766008	FINAL FILTER		1
1	29	38785019	INLET SEAL		1
1	30	37258161	HANDLE RETAINER COVER		1
1	31	36151033	PIVOT LATCH LEVER		1
1	32	38355016	PIVOT LATCH SPRING		1
1	33	34131010	PLUG		1
1	34	38783032	DUCT SEAL		1
1	35	34131019	WIRE OPENING PLUG		1

Image	Key	Part Number	Description	Substitution	Qty.
1	36	36322037	MOTOR MOUNT-LARGE		1
1	37	43576188	MOTOR ASSEM COMP.		1
1	38	36322030	MOTOR MOUNT-SMALL		1
1	39	3861401E	FURNITURE NOZZLE		1
1	40	3944201P	CORD WRAP		1
1	41	36433182	TOOL HLDR UPPER		1
1	42	43414174	DUSTING BRUSH ASSEM-		1
1	43	38634091	EXTENSION TUBE-14 IN		1
1	44	28161067	SWITCH-WT-.025 TERM		1
1	45	28382094	THERMAL PROTECTOR		1
1	46	37255035	REAR HOUSING		1
1	47	36433181	TOOL HLDR LOWER		1
1	48	36215028	CORD PROTECTOR-WTBGL		1
1	49	38617029	CREVICE TOOL-ABR		1
1	50	39383118	DIRT FINDER LENS		1
1	51	43431224	HOSE ASSEMBLY		1
1	52	21447242	SCREW-SELF TAPPING		5
1	53	21447072	SCREW		6
1	54	-----	NOT REQUIRED PART OR SEE NOTE		1
1	55	017001FW	SCREW		2
1	56	92001018	WIRE HARNESS ASSEMBLY		1
1	57	27313107	BULB		1
1	58	56511B72	OWNER MANUAL		1