

This Owner's Manual is provided and hosted by [Appliance Factory Parts](#).



# HOOVER U5194-900 Owner's Manual

[Shop genuine replacement parts for HOOVER  
U5194-900](#)

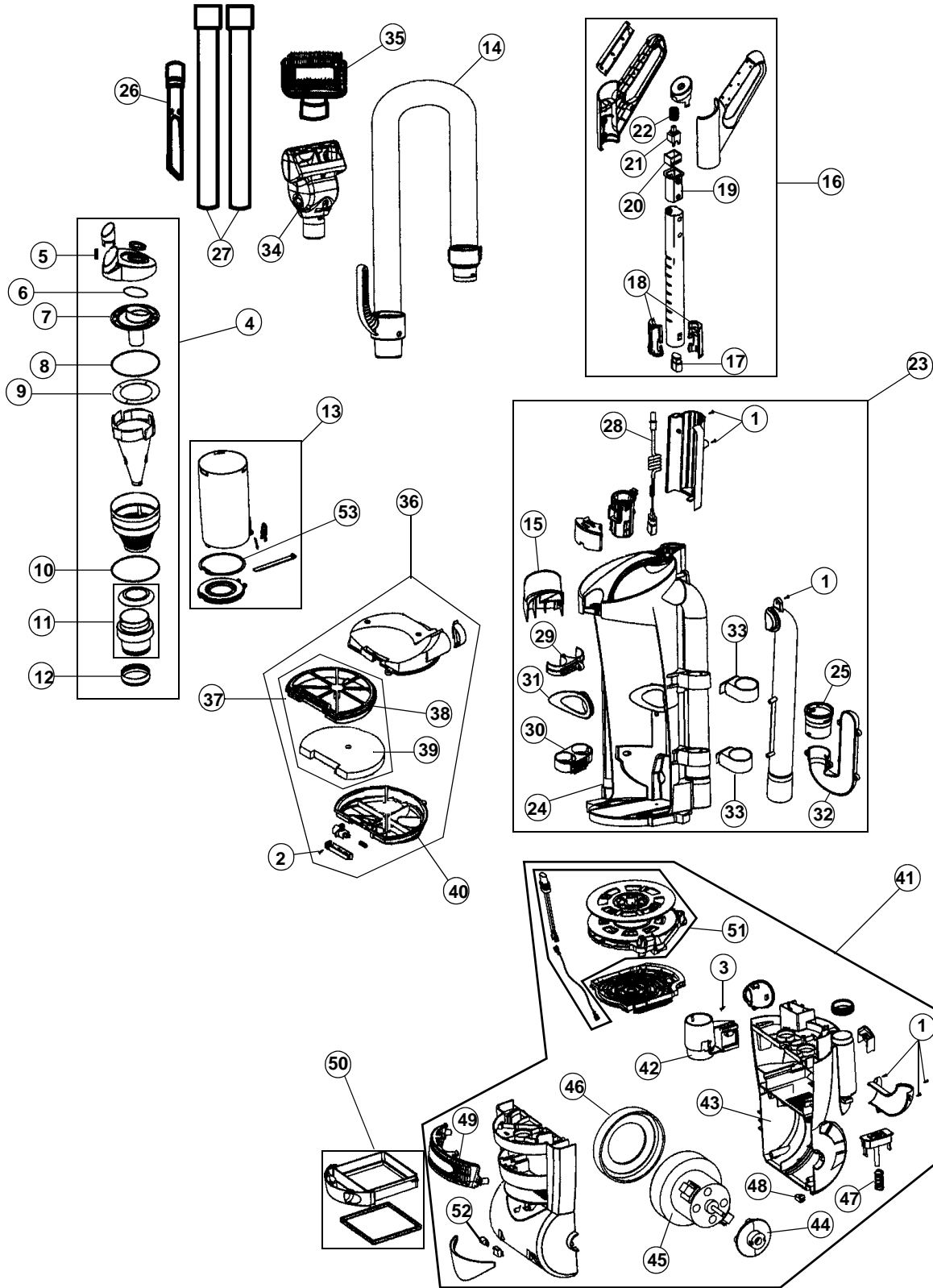


[Find Your HOOVER Vacuum Cleaner Parts - Select From 1455 Models](#)

----- Manual continues below -----

# MACH<sup>5</sup> MACH<sup>6</sup>

## ASSEMBLY SCHEMATIC



U5194-900  
U5198-900

# MACH<sup>5</sup> MACH<sup>6</sup>

## PART LISTING

ITEM	PART NUMBER	MODELS TO FIT	PART DESCRIPTION
1	H-18126152	U5194900, U5198900	BODY SCREW 4.2 X 16
2	H-18381522	U5194900, U5198900	SCREW 3.5 X 12
3	H-18147152	U5194900, U5198900	SCREW 4.2 X 25 - LOWER HOSE HOLDER
4	H-93005000	U5194900	DIRT CUP LID ASSEMBLY
		U5198900	DIRT CUP LID ASSEMBLY
5	H-93001656	U5194900, U5198900	DIRT CUP RELEASE SPRING
6	H-93001649	U5194900, U5198900	SEAL - DIRT CUP LID
7	H-93001650	U5194900, U5198900	CYCLONE DUCT
8	H-93001651	U5194900, U5198900	SEAL - CYCLONE DUCT
9	H-93001652	U5194900, U5198900	SEAL - CYCLONE DUCT
10	H-93001637	U5194900, U5198900	SEAL - CYCLONE FILTER
11	H-93002515	U5194900, U5198900	DUST CHAMBER ASSEMBLY W/SHROUD
12	H-93001644	U5194900, U5198900	SEAL - DUST CHAMBER
13	H-93005100	U5194900	DIRT CUP ASSEMBLY
		U5198900	DIRT CUP ASSEMBLY
14	H-93002514	U5194900, U5198900	HOSE ASSEMBLY
	H-93002362	U5194900, U5198900	BONUS HOSE - <b>OPTIONAL</b>
15	H-93002513	U5194900, U5198900	UPPER HOSE HOLDER
16	H-93005200	U5194900, U5198900	HANDLE ASSEMBLY
17	H-93001700	U5194900, U5198900	MALE PLUG CONNECTOR
18	H-93001701	U5194900, U5198900	HOLDING PLATE - MALE PLUG CONNECTOR
19	H-93001702	U5194900, U5198900	SWITCH SLEEVE
20	H-93001703	U5194900, U5198900	SWITCH HOLDER
21	H-93001705	U5194900, U5198900	SWITCH
22	H-93001706	U5194900, U5198900	SWITCH SPRING
23	H-93005700	U5194900	MAIN BODY ASSEMBLY
		U5198900	MAIN BODY ASSEMBLY
24	H-93002488	U5194900, U5198900	MAIN BODY HOUSING - ONLY
25	H-11041044	U5194900, U5198900	AIR DUCT ADAPTOR
26	H-15804217	U5194900, U5198900	CREVICE TOOL
27	H-12640720	U5194900, U5198900	EXTENSION WAND
28	H-26401317	U5194900, U5198900	WIRING CONNECTOR ASSEMBLY
29	H-11041053	U5194900, U5198900	UPPER WAND HOLDER

U5194-900  
U5198-900

# MACH<sup>5</sup> MACH<sup>6</sup>

## PART LISTING / PRICE LIST

ITEM	PART NUMBER	MODELS TO FIT	PART DESCRIPTION
30	H-11041052	U5194900, U5198900	LOWER WAND HOLDER
31	H-11041105	U5194900, U5198900	AIR INLET SEAL - DIRT CUP
32	H-93002492	U5194900, U5198900	AIR DUCT COVER
33	H-11041065	U5194900, U5198900	TOOL HOLDER
34	H-49129032	U5194900, U5198900	TURBINE HAND TOOL
35	H-15810030	U5194900, U5198900	FURNITURE BRUSH
36	H-93005800	U5194900, U5198900	UPPER FILTER HOUSING, BOTTOM COVER, w/SECONDARY FILTER ASSY - SERVICE ASSEMBLY -
37	H-40110012	U5194900, U5198900	SECONDARY FILTER WITH FOAM FILTER
38	H-93002517	U5194900, U5198900	SECONDARY FILTER ASSEMBLY - ORDER #37 / H-40110012
39	H-93002518	U5194900, U5198900	SECONDARY FOAM FILTER
40	H-93002499	U5194900, U5198900	BOTTOM COVER - SECONDARY FILTER
41	H-93005600	U5194900, U5198900	MOTOR HOUSING ASSEMBLY
42	H-93002473	U5194900, U5198900	LOWER HOSE HOLDER
43	H-93002474	U5194900, U5198900	REAR MOTOR HOUSING
44	H-93001677	U5194900, U5198900	REAR MOTOR PLATE
45	H-93001678	U5194900, U5198900	MOTOR ASSEMBLY
46	H-93001679	U5194900, U5198900	MOTOR SEAL
47	H-93002480	U5194900, U5198900	SPRING - CORD REEL PEDAL
48	H-93002482	U5194900, U5198900	SEAL - MOTOR WIRE
49	H-93002484	U5194900, U5198900	CORD REEL COVER
50	H-93002360	U5194900, U5198900	HEPA EXHAUST FILTER ASSEMBLY
51	H-93002478	U5194900, U5198900	CORD REEL ASSEMBLY
52	H-27313107	U5194900, U5198900	LIGHT BULB
53	H-93002437	U5194900, U5198900	GASKET - DIRT CUP DOOR

MODEL NO.

U5194-900

U5198-900



# MACH<sup>5</sup> MACH<sup>6</sup>

## PART LISTING /

ITEM	PART NUMBER	MODELS TO FIT	PART DESCRIPTION
1	H-18126152	U5194900, U5198900	BODY SCREW 4.2 x 16
2	H-18381522	U5194900, U5198900	SCREW 3.5 x 12
3	SEE NOTES	U5194900	FOOT / NOZZLE BASE ASSEMBLY MFG PRIOR TO 09/2007
	H-93005500	U5194900, U5198900	FOOT / NOZZLE BASE ASSEMBLY - REVISED MFG 09/2007 AND NEWER
4	H-93002467	U5194900, U5198900	HOOD / NOZZLE COVER
5	SEE NOTES	U5194900, U5198900	HANDLE RELEASE PEDAL MFG PRIOR TO 09/2007
	H-93002462	U5194900, U5198900	HANDLE RELEASE PEDAL - REVISED ORANGE MFG 09/2007 AND NEWER
6	H-13102101	U5194900, U5198900	LOWER HOSE
7	H-11041029	U5194900, U5198900	LOWER HOSE SUPPORT
8	H-93005300	U5194900, U5198900	IDLER ARM ASSEMBLY
9	H-93005400	U5194900, U5198900	PULLEY ASSEMBLY
10	H-93001663	U5194900, U5198900	TRUNION / PIVOT CLAMP
11	H-38528035	U5194900, U5198900	BELT 'FLAT'
12	H-38528034	U5194900, U5198900	BELT 'V'
13	H-93002516	U5194900, U5198900	BRUSH ROLL HOUSING
14	H-93002361	U5194900, U5198900	BRUSH ROLL ASSEMBLY
15	H-93002468	U5194900, U5198900	BOTTOM PLATE / NOZZLE GUARD
16	H-93002447	U5194900, U5198900	SPRING - IDLER ASSEMBLY

U5194-900  
U5198-900

**\*\*IF YOU HAVE A MODEL U5194-900 THAT WAS MFG PRIOR TO 9/2007 AND YOU NEED TO REPLACE THE HANDLE RELEASE PEDAL, YOU NEED TO ORDER THE FOLLOWING:**

**93005500 - FOOT / NOZZLE BASE ASSEMBLY (INCLUDES HANDLE RELEASE PEDAL)**

THIS WILL UPDATE THE UNIT TO REFLECT A REVISION / NEW DESIGN OF THE HANDLE RELEASE PEDAL. THE NEW DESIGN HANDLE RELEASE PEDAL WILL NOT WORK IN AN EARLY DESIGN FOOT NOZZLE BASE.