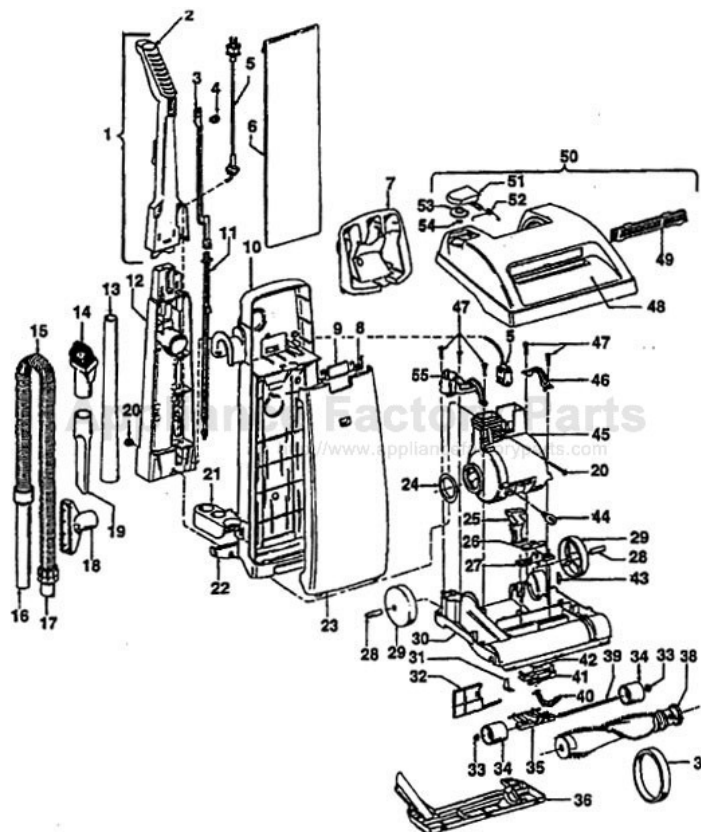


This Owner's Manual is provided and hosted by [Appliance Factory Parts](#).



HOOVER U5213-930 Owner's Manual

[Shop genuine replacement parts for HOOVER
U5213-930](#)

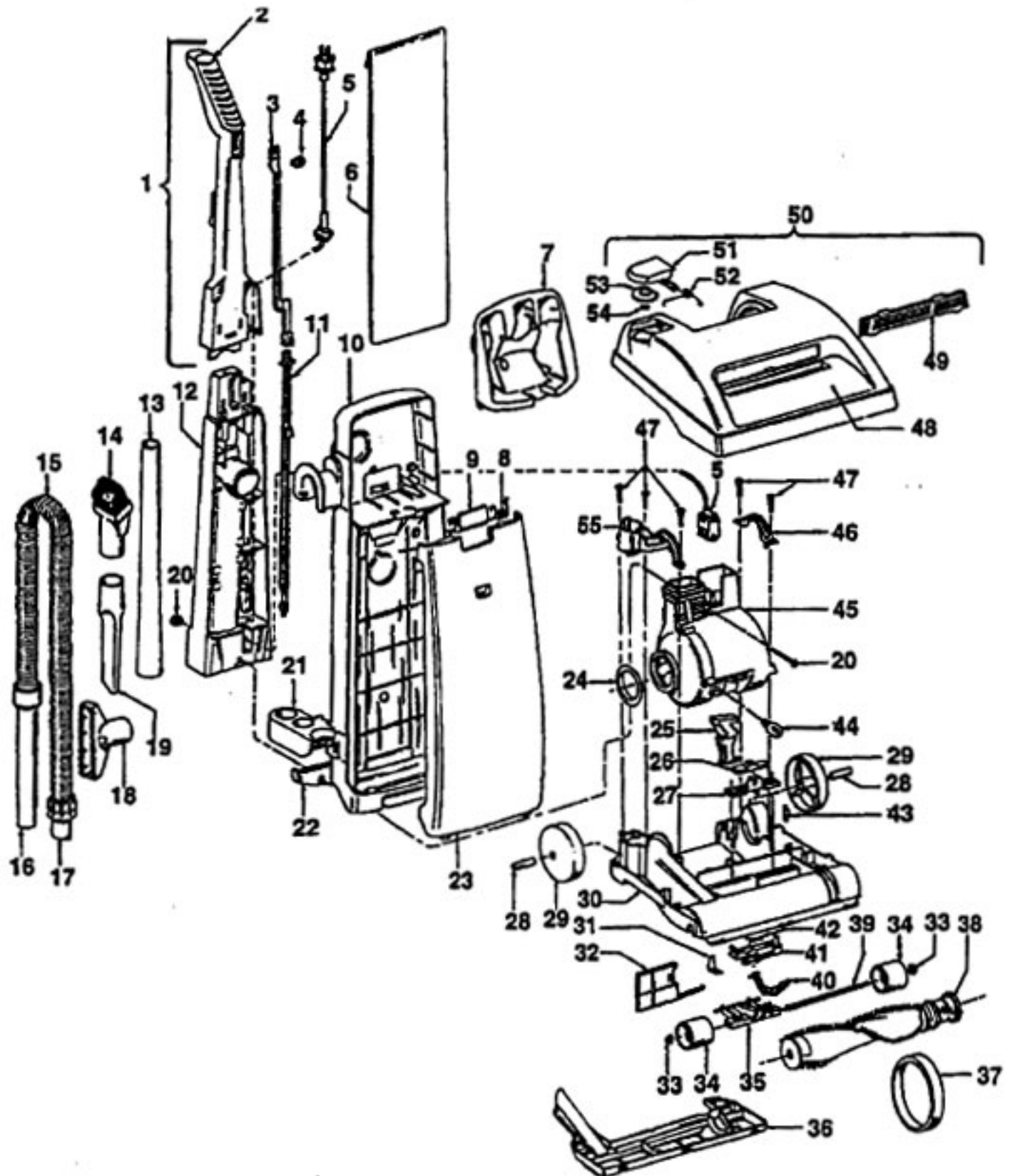


[Find Your HOOVER Vacuum Cleaner Parts - Select From 1456 Models](#)

----- Manual continues below part list -----

Available Replacement Parts for HOOVER U5213-930

H-4010100Z	BAG OEM HOOVER 3 PACK
H-38528040	BELT VACUUM HOOVER OEM (1 PACK)
48414036	HOOVER ELITE BRUSH ROLLER
H-43267002	AGITATOR BEARING ASM
K-109289	BULB



**Dimension
Futura**

**Model U5209-930, U5211-930, U5212-900
Model U5213-930**

Ref. No.	Part No.	Description
1	48663204	Upper Handle Assembly -ABE (Incl. It. 2,3,4)
2	37911078	Handle Cap - ABE
3	N/A	Switch Rod - Upper
4	N/A	Switch Button
5	46388027	Attachment Cord Assem. - AG 35'
6	4010100Z	Throw-Away Bag (3 Pk.)
7	36433125	Tool Holder - ABE
	36433161	Tool Holder - MB - U5212-900
8	38355008	Spring
9	36151013	Bag Door Latch - ABE
10	37255021	Hard Bag - ABE
11	38458046	Switch Rod Lever
12	39464025	Lower Handle - ABE
13	38634078	Extension Tube
14	43414146	Dusting Brush Assembly - ABR
15	43434024	Hose Comp - ABX/AG
16	32286025	Hose Adapter - Long - AG
17	32377005	Hose Connector - AG
18	38614036	Furniture Nozzle - ABR
19	38617026	Crevice Tool - ABR
20	40201085	Handle Hardware Assembly
21	36433113	Lower Hose Support - ABE
22	36425081	Bag Housing Bracket - ABE
		Note: Bag Housing Doors include Items 8 & 9
23	37257210	Bag Housing Door - MB - U5209-930, U5212-900
	37257258	Bag Housing Door - ABM - U5211-930
	37257217	Bag Housing Door - ABB U5213-930
24	38784016	Seal - AG
25	38458022	Handle Release Lever - AG
26	38567014	Indicator Knob - AG
27	38567009	Cam Actuator - AG
28	31523012	Wheel Shaft (2)
29	38522011	Wheel - Rear - AG (2)
30	42242266	Main Body Assem. -AG (Incl. items 25,28,29,43)
31	34572002	Cam Actuator Spring - FW
32	38718005	Valve Gate - BZ
33	36131056	Wheel Retainer - AG (2)
34	N/A	Wheel - AG (Use 43248059)
35	43248059	Front Wheel Assem. (Incl. It. 34,39,40)
36	37245108	Bottom Plate - AG
37	38528027	Belt
38	48414081	Agitator Assembly Comp - AG (p.204)
39	32563012	Wheel Shaft - AY (Use 43248059)
40	38452089	Lever - AG (Use wheel assem. 43248059)

Ref. No.	Part No.	Description
41	38563013	Nozzle Height Adj. Cam - BZ
42	38351012	Spring
43	13261AY	Rug Nozzle Rib Shoe
44	27313101	Dirt Finder Lamp
45	43576142	Motor Assembly Complete (P-202)
46	36131090	Motor Retainer Cap - LH - ABE
47	21447217	Screw - Self Tapping - AY (5)
48	51669066	Hood Nameplate
49	39383097	Dirt Finder Lens - BZ
50	42252A15	Hood Assembly - MB - U5209-930
	42252A66	Hood Assembly - ABM -U5211-930
	42252292	Hood Assembly - ABB -U5213-930
	42252A61	Hood Assembly - MB - U5212-900
51	37257175	Air Intake Door Assembly - ABE
52	38351011	Spring
53	38784056	Seal - AG
54	21362006	Speed Nut
55	38613029	Air Intake - AG

ITEMS NOT ILLUSTRATED

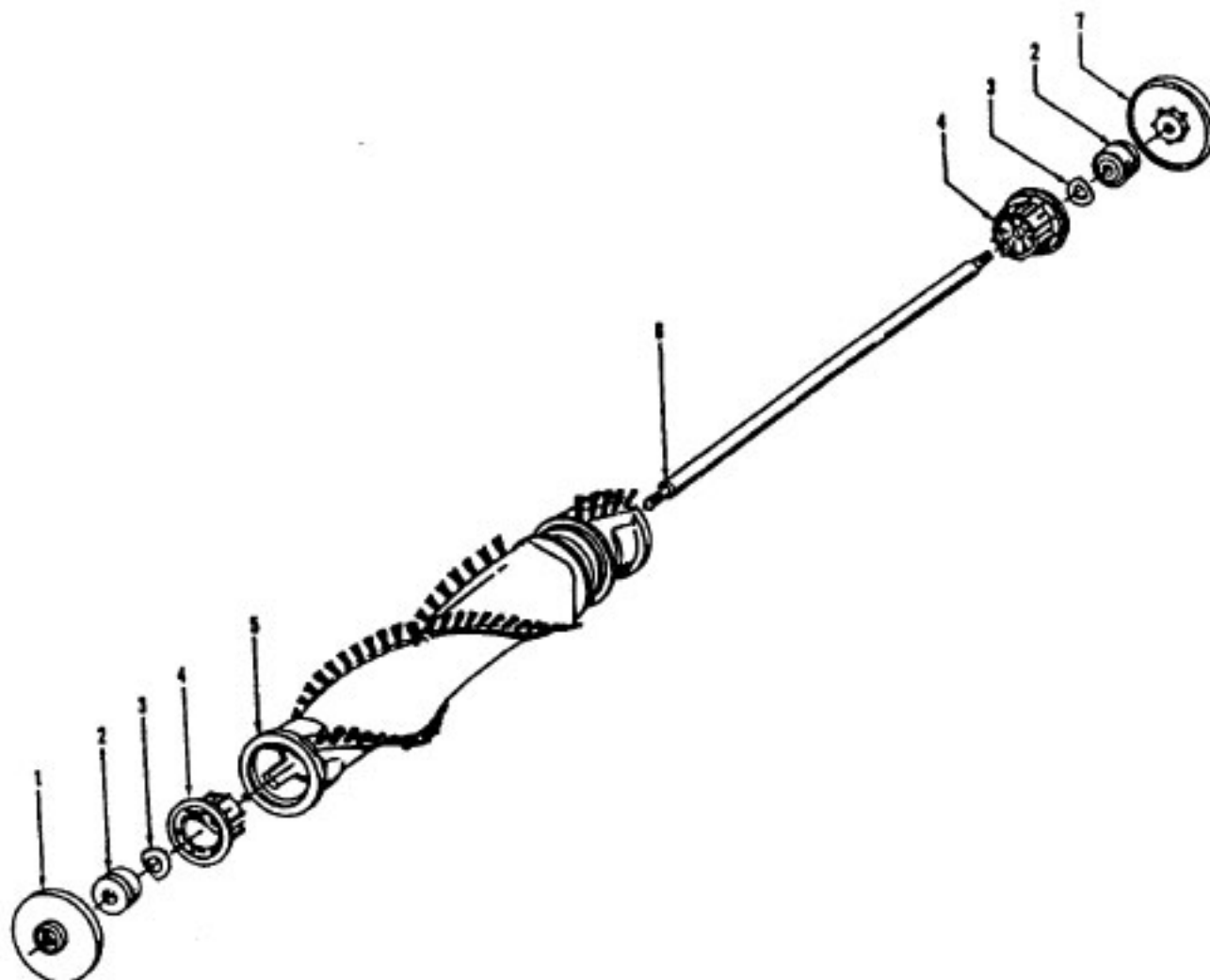
3944201P	Cord Wrap
21434287	Screw (Tool Holder)
37257147	Tool Door - AAN - U5213-930

PACKAGING MATERIAL

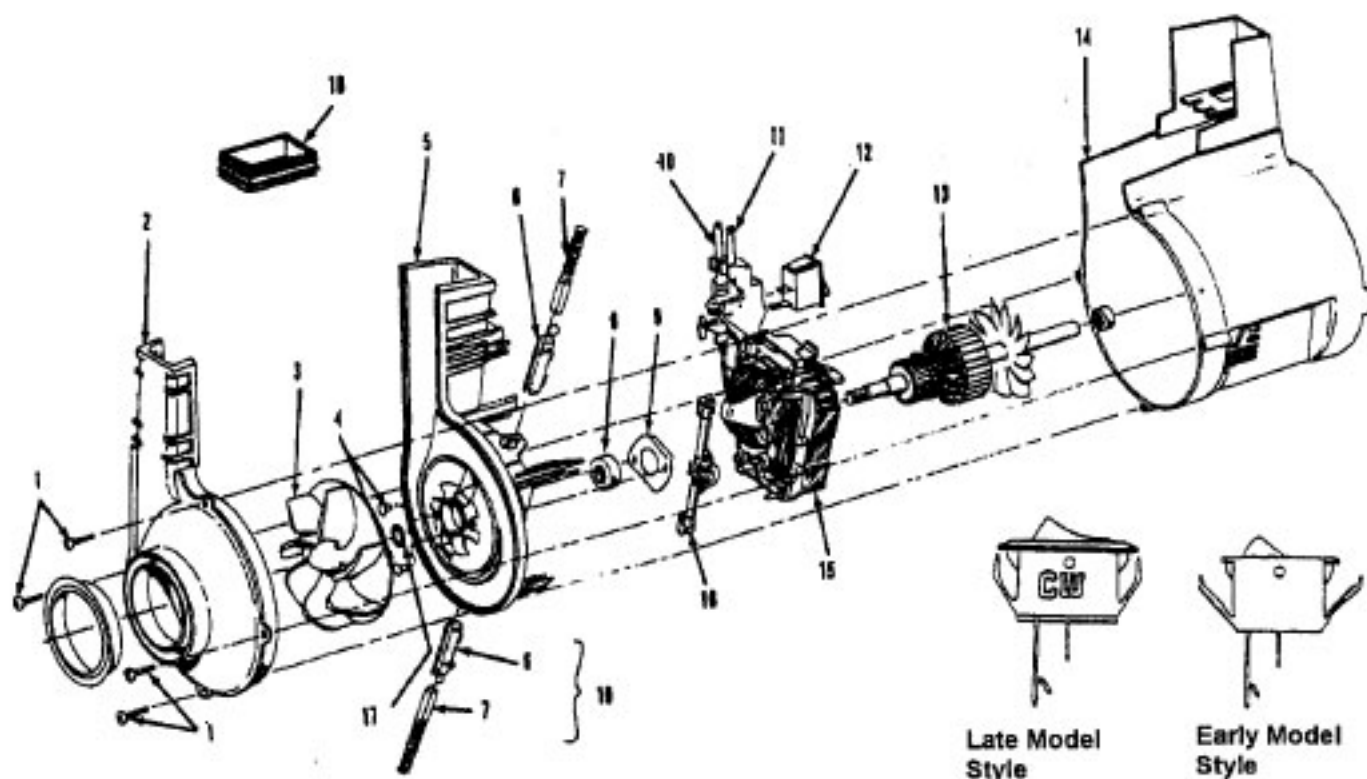
56511A07	Owner Manual
58185184	Carton - Common
58369067	Cleaner Support
58366099	Hard Bag Support

Agitator - 48414081
Agitator - 48414075

Elite/ Elite II/ Dimension/ Legacy/ TurboPOWER/ Caddy Vac - Four Brush
Caddy Vac - Four Brush



Ref. No.	Part No.	Description
	48414081	Agitator Assem. Complete (Natural Bristles)
	48414075	Agitator Assem. Complete (Blue Bristles)
1	36423016	Thread Guard - RH
2	43267002	Agitator Bearing Assem. (2)
3	21347003	Conical Washer (2)
4	36422022	Agitator End (2)
5	N/A	Agitator Body
6	32724013	Agitator Shaft
7	36423017	Thread Guard - LH - AG



Ref. No.	Part No.	Description
	43576142	Motor Assem. Comp.
	43576181	Motor Assem. Comp. (Replaced by 43576204)
1	214793DA	Screw-Self Tapping (4)
2	38736033	Fan Chamber
3	38755030	Fan
4	N/A	Rivet - Semi Tubular (2)
5	N/A	Motor Housing Assem.
6	N/A	Motor Brush Holder (2)
7	N/A	Motor Brush Assem. (2)
8	N/A	Bearing
9	N/A	Bearing Retainer
10	36914004	Switch Bus Bar
11	39116005	Attachment Terminal
12	28218043	Switch Assem. - Early Models (Prior to 5/96)
	28161062	Switch Assem. - Late Models (After 5/96)
13	N/A	Armature/Bearing Assem.
14	37194046	Motor End Cap Assem. - MW
15	N/A	Field Assem.
16	N/A	Lamp Holder Assem.
17	21312793	Washer
18	38783020	Duct Seal
19	41311016	Motor Brush Holder Assem.

ITEMS NOT ILLUSTRATED

- 38781013 Duct Seal (8 1/2" Long adhesive backed foam seal used on early models in place of item 18)
- 54821001 Tape (Roll)