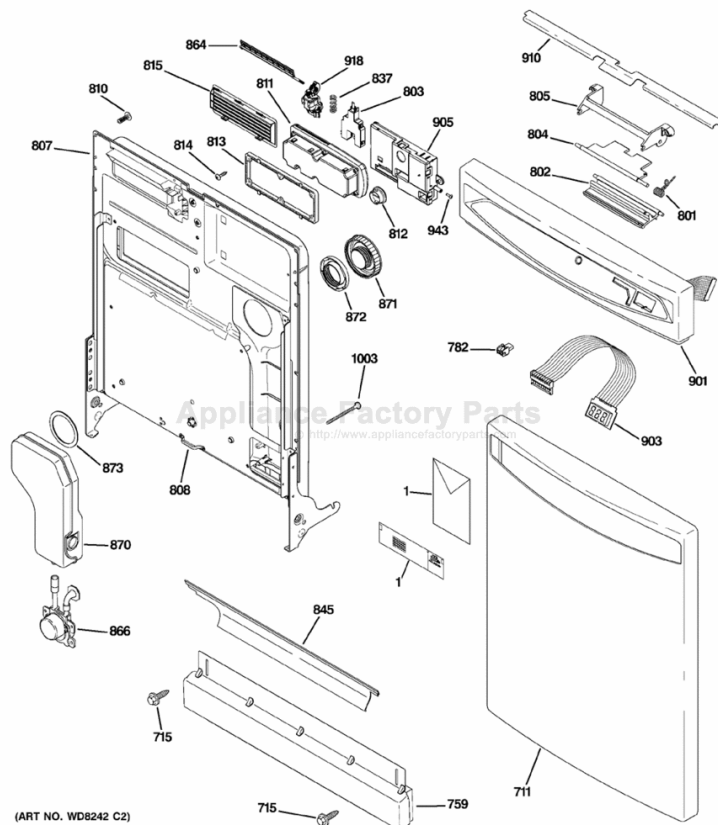


This Owner's Manual is provided and hosted by [Appliance Factory Parts](http://www.appliancefactoryparts.com).



GE PDW7900P00WW Owner's Manual

[Shop genuine replacement parts for GE
PDW7900P00WW](#)



[Find Your GE Dishwasher Parts - Select From 6722 Models](#)

----- Manual continues below -----

Installation Instructions

Built-In Dishwasher

If you have questions, call 800.GE.CARES (800.432.2737) or visit our website at: www.ge.com



BEFORE YOU BEGIN

Read these instructions completely and carefully.

IMPORTANT – Observe all governing codes and ordinances.

- **Note to Installer** – Be sure to leave these instructions for the consumer's and local inspector's use.
- **Note to Consumer** – Keep these instructions with your Owner's Manual for future reference.
- **Skill Level** – Installation of this dishwasher requires basic mechanical, electrical and plumbing skills. **Proper installation is the responsibility of the installer. Product failure due to improper installation is not covered under the GE Appliance Warranty. See warranty information.**
- **Completion Time** – 1 to 3 Hours. New installations require more time than replacement installations.

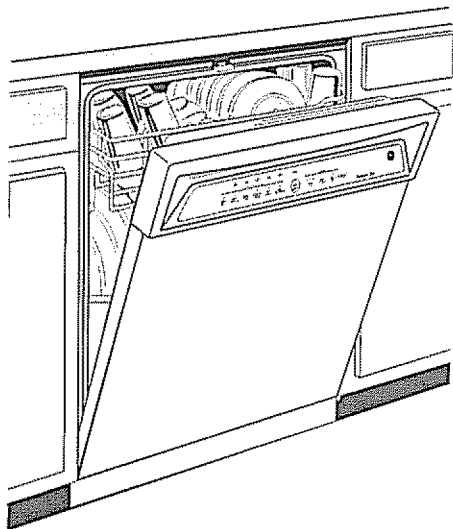
IMPORTANT – The dishwasher **MUST** be installed to allow for future removal from the enclosure if service is required.

If you received a damaged dishwasher, you should immediately contact your dealer or builder.

Optional Accessories – See the Owner's Manual for available custom panel kits.

FOR YOUR SAFETY

Read and observe all **CAUTIONS** and **WARNINGS** shown throughout these instructions. While performing installations described in this booklet, gloves, safety glasses or goggles should be worn.



**READ CAREFULLY.
KEEP THESE INSTRUCTIONS.**

GSD6000 Series
PDW7000 Series



imagination at work

Installation Preparation

PARTS SUPPLIED IN INSTALLATION PACKAGE:

- Two #8-18 x 5/8" Phillips special head screws, to secure dishwasher to underside of countertop or sides of cabinets.
- Junction box cover and #10 hex head screw
- 2 Side-mounting brackets with four #8 Pan-head mounting screws for non-wood countertops (some models)
- Drain Hose and Hose Clamp
- Side and top trim pieces (some models)

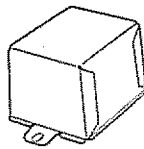


Drain Hose

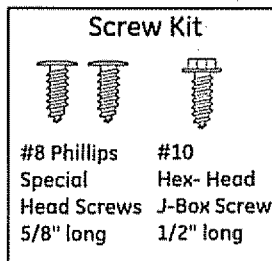


Hose Clamp

Side and Top Trim Pieces on some models

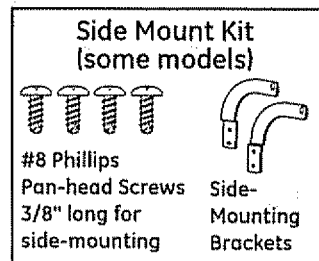


Junction
Box Cover



#8 Phillips
Special
Head Screws
5/8" long

#10
Hex- Head
J-Box Screw
1/2" long

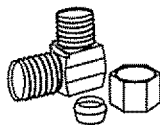


#8 Phillips
Pan-head Screws
3/8" long for
side-mounting

Side-
Mounting
Brackets

MATERIALS YOU WILL NEED:

- Ferrule, compression nut and 90° Elbow (3/8"NPT external thread on one end, opposite end sized to fit water supply)
- Thread seal tape
- UL Listed wire nuts (3)



90° Elbow,
Ferrule and
Compression Nut



Hand
Shut-Off
Valve



Thread
Seal Tape



Wire Nuts (3)

Materials For New Installations Only:

- Air gap for drain hose, if required
- Waste tee for house plumbing, if applicable
- Electrical cable or power cord, if applicable
- Screw type hose clamps
- Strain relief for electrical connection
- Hand shut-off valve (recommended)
- Water line—3/8" minimum copper tubing
- GPF10L drain hose, if needed



Waste Tee



Electrical Cable
(or Power Cord,
if applicable)



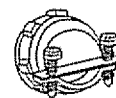
Hot Water Line



Air
Gap



Screw Type
Hose Clamps



Strain Relief



Optional
10' Drain Hose
GPF10L

TOOLS YOU WILL NEED:

- Phillips head screwdriver
- 1/4" and 5/16" nutdriver
- 6" Adjustable wrench
- Level
- Carpenters square
- Measuring tape
- Safety glasses
- Flashlight
- Bucket to catch water when flushing the line
- 15/16" socket (optional for skid removal)
- Gloves



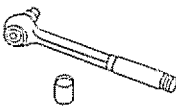
Phillips
Head
Screwdriver



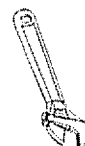
1/4" and
5/16" Nutdriver



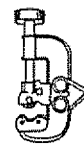
Level



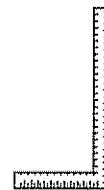
15/16" Socket



6" Adjustable
Wrench



Tubing Cutter



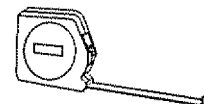
Carpenters
Square



Flashlight



Safety Glasses



Measuring Tape

For New Installations Only:

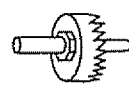
- Tubing cutter
- Drill and appropriate bits
- Hole saw set



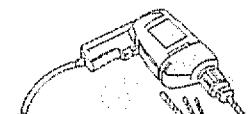
Gloves



Bucket



Hole Saw Set



Drill and Bits

Installation Preparation

PREPARE DISHWASHER ENCLOSURE

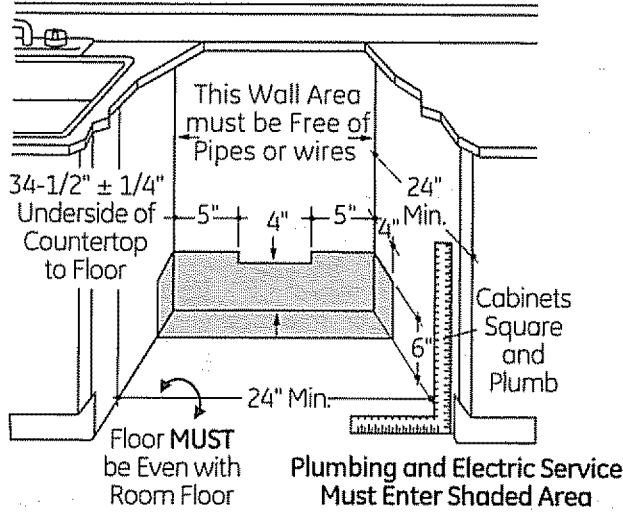



Figure A

- The rough cabinet opening must be at least 24" deep, 24" wide and approximately 34-1/2" high from floor to underside of the countertop.



WARNING

To reduce the risk of electric shock, fire, or injury to persons, the installer must ensure that the dishwasher is completely enclosed at the time of installation.

- The dishwasher must be installed so that drain hose is no more than 10' in length for proper drainage.
- The dishwasher must be fully enclosed on the top, sides and back, and must not support any part of the enclosure.

CLEARANCES: When installed into a corner, allow 2" min. clearance between dishwasher and adjacent cabinet, wall or other appliances. Allow 28-3/8" min. clearance from the front of the dishwasher for door opening. **Figure B**

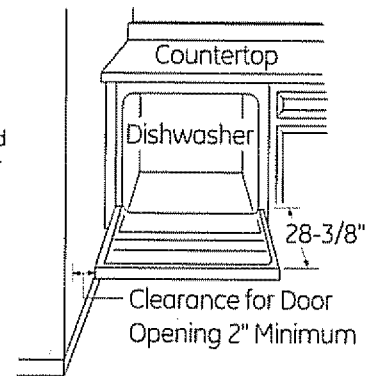


Figure B

DRAIN REQUIREMENTS

- Follow local codes and ordinances.
- Do not exceed 10' distance to drain.

NOTE: Air gap must be used, if waste tee or disposer connection is less than 18" above floor, to prevent siphoning.

DETERMINE DRAIN METHOD

The type of drain installation depends on the following questions.

- Do local codes or ordinances require an air gap?
- Is waste tee less than 18" above floor?

If the answer to either question is YES, Method 1 MUST be used.

- If the answers are NO, either method may be used.

CABINET PREPARATION

- Drill a 1-1/2" diameter hole in the cabinet wall within the shaded areas shown in Figure A for the drain hose connection. The hole should be smooth with no sharp edges.

IMPORTANT: When connecting drain line to disposer, check to be sure that drain plug has been removed. **DISHWASHER WILL NOT DRAIN IF PLUG IS LEFT IN PLACE.**

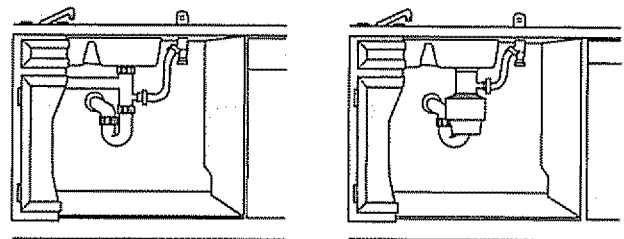
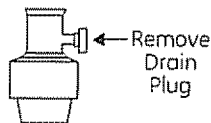


Figure C

Method 1 - Air Gap with Waste Tee or Disposer

An air gap must be used when required by local codes and ordinances. The air gap must be installed according to manufacturer's instructions.

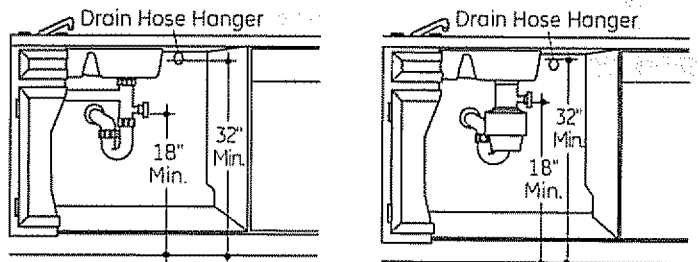


Figure D


Method 2 - Built-in "High Drain Loop" with Waste Tee or Disposer

Note: Avoid unnecessary service call charges. Always be sure disposer drain plug has been removed before attaching dishwasher drain hose to the disposer.

Installation Preparation

PREPARE ELECTRICAL WIRING

⚠ WARNING



FOR PERSONAL SAFETY:
Remove house fuse or open circuit breaker before beginning installation. Do not use an extension cord or adapter plug with this appliance.

Electrical Requirements

- This appliance must be supplied with 120V, 60Hz., and connected to an individual properly grounded branch circuit, protected by a 15 or 20 ampere circuit breaker or time delay fuse.
- Wiring must be 2 wire with ground and rated for 75°C (176°F).
- If the electrical supply does not meet the above requirements, call a licensed electrician before proceeding.


Grounding Instructions—Cable Direct

This appliance must be connected to a grounded metal, permanent wiring system, or an equipment grounding conductor must be run with the circuit conductors and be connected to the equipment grounding terminal or lead on the appliance.

Grounding Instructions—Power Cord Models

This appliance must be grounded. In the event of a malfunction or breakdown, grounding will reduce the risk of electric shock by providing a path of least resistance for electric current. This appliance is equipped with a cord having an equipment grounding conductor and a grounding plug. The plug must be plugged into an appropriate outlet that is installed and grounded in accordance with all local codes and ordinances.

⚠ WARNING



The improper connection of the equipment grounding conductor can result in a risk of electric shock. Check with a qualified electrician or service representative if you are in doubt that the appliance is properly grounded.

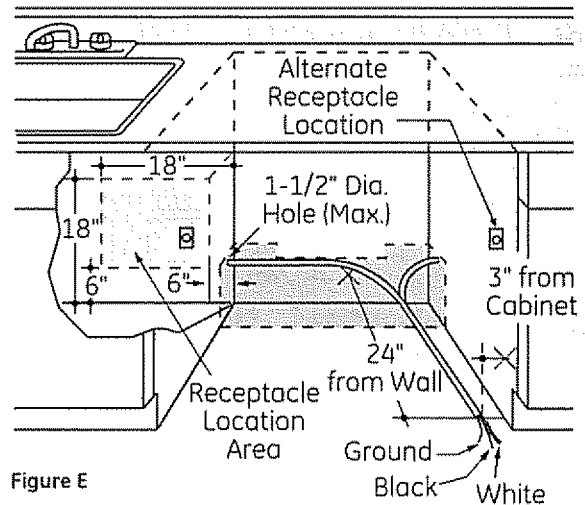


Figure E

For models equipped with power cord: Do not modify the plug provided with the appliance; if it will not fit the outlet, have a proper outlet installed by a qualified technician.

Cabinet Preparation and Wire Routing

- The wiring may enter the opening from either side, rear or the floor within the shaded area.
 - Cut a 1-1/2" maximum diameter hole to admit the electrical cable. Cable direct connections may pass through the same hole as the drain hose and hot water line, if convenient. If cabinet wall is metal, the hole edge must be covered with a bushing.
- Note:** Power cords with plug must pass through a separate hole.

Electrical Connection to Dishwasher

Electrical connection is on the right front of dishwasher.

- For cable direct connections the cable must be routed as shown in Figure E. Cable must extend a minimum of 24" from the rear wall.
- For power cord connections, install a 3-prong grounding type receptacle in the sink cabinet rear wall, 6" min. or 18" max. from the opening, 6" to 18" above the floor.

Installation Instructions

PREPARE HOT WATER LINE

- The line may enter from either side, rear or floor within the shaded area shown in Figure F.
- The line may pass through the same hole as the electrical cable and drain hose. Or, cut an additional 1-1/2" diameter hole to accommodate the water line. If power cord with plug is used, water line must not pass through power cord hole.

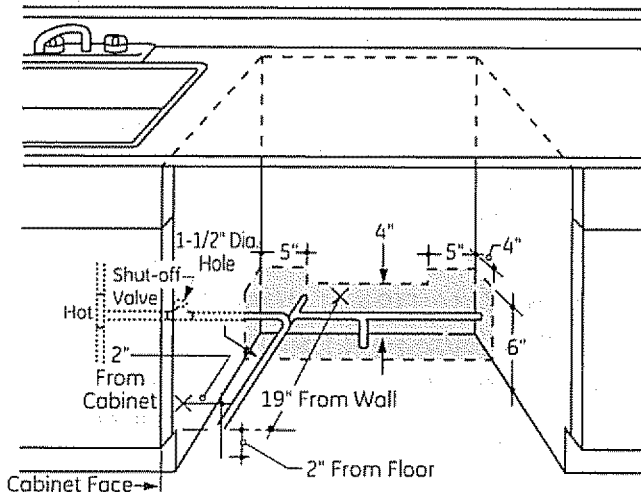



Figure F

Water Line Connection

- Turn off the water supply.
- Install a hand shut-off valve in an accessible location, such as under the sink. (Optional, but strongly recommended and may be required by local codes.)
- Water connection is on the left side of the dishwasher. Install the hot water inlet line, using no less than 3/8" copper tubing. Route the line as shown in Figure F and extend forward at least 19" from rear wall.
- Adjust water heater for 120°F to 150°F temperature.
- Flush water line to clean out debris.
- The hot water supply line pressure must be 20-120 PSI.



CAUTION:

Do not remove wood base until you are ready to install the dishwasher. The dishwasher will tip over when the door is opened if the wood base is removed.

STEP 1-PREPARATION

Locate the items in the installation package and set aside for use in the listed steps:

- Screw kit – Steps 5 or 18 and 15
- Side mount kit (some models) – Step 12
- Junction box cover – Step 5 or 18
- Drain hose and clamp – Step 7
- Trim pieces (some models) – Step 11
- Owner's Manual – Steps 19 and 22
- Product Samples and/or coupons – Step 22

STEP 2-CHECK DOOR BALANCE

- With dishwasher on the wood skid, check the door balance by opening and closing the door.
- If the door drops when released, increase the spring tension.
- If the door rises when released, decrease the tension.

Note: Increase or decrease tension as shown. Adjust both springs to the same tension setting to correct balance.

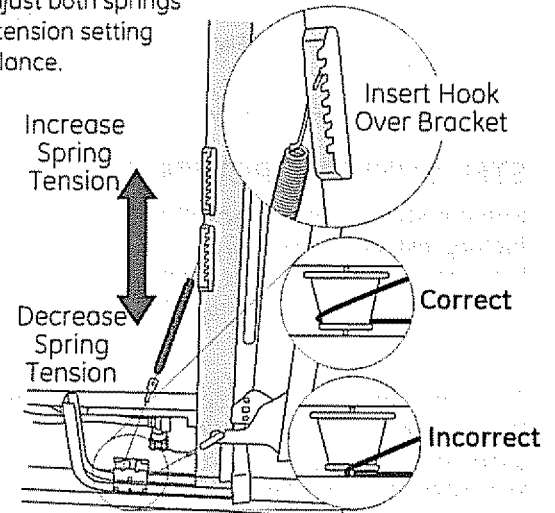


Figure G

Tip: If door spring adjustment is necessary, check door opening and closing. If door does not open easily or falls too quickly, check spring cable routing. The cable is held in place by "shoulders" on the pulley. Check to be sure cable has not slipped over the pulley shoulders.

STEP 3-REMOVE WOOD BASE, INSTALL LEVELING LEGS

IMPORTANT – Do not kick off wood base! Damage will occur.

- Move the dishwasher close to the installation location and lay it on its back.
- Remove the four leveling legs on the underside of the wood base with an adjustable wrench or 15/16" socket.
- Discard base.

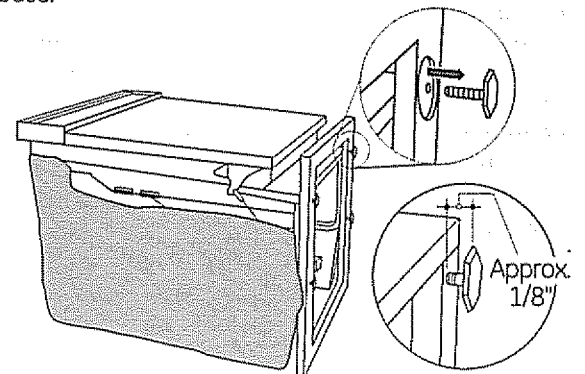


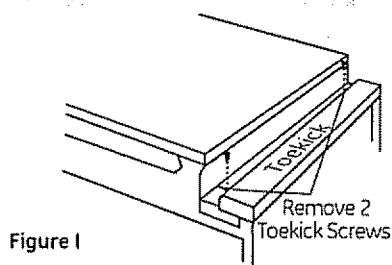
Figure H

- Screw leveling legs back into the dishwasher frame, approximately 1/8" from frame as shown.

Installation Instructions

STEP 4—REMOVE TOEKICK

- Remove the 2 toekick screws and toekick. Set aside for use in Step 21.



STEP 5—INSTALL POWER CORD

Skip this step if dishwasher will be direct wired or has a factory installed power cord.

In this step you will need the junction box cover and the #10 x 1/2" hex head screw from the screw kit set aside in Step 1.

The power cord and connections must comply with the National Electrical Code, Section 422 and/or local codes and ordinances. Maximum power cord length is 6 feet. Power Cord Kit WX09X70910, available for purchase from an authorized GE Appliance Dealer, meets these requirements.

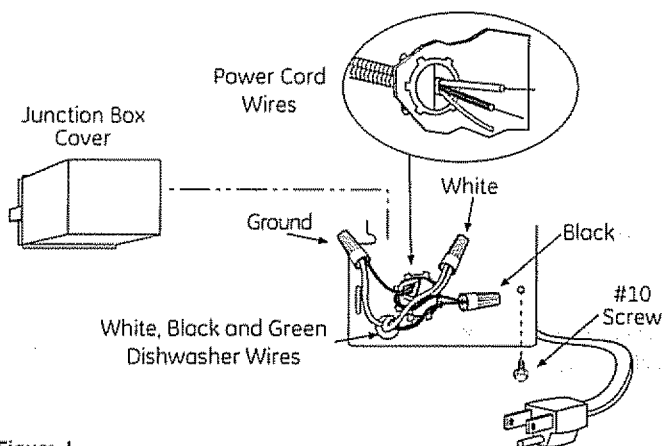
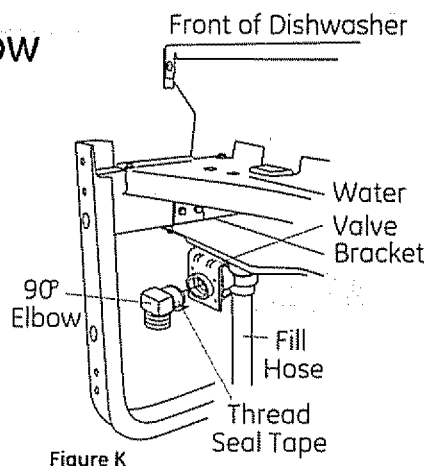


Figure J

- Install strain relief in junction box bracket.
- Insert power cord through strain relief and tighten.
- Make sure black, white and green dishwasher wires are threaded through small hole in junction box bracket.
- Connect power cord white (or ribbed) to dishwasher white wire, black (or smooth) to dishwasher black wire and ground to dishwasher green wire. Use UL listed wire nuts of appropriate size.
- Install junction box cover using #10 hex head screw. Be sure wires are not pinched under the cover.

STEP 6—INSTALL 90° ELBOW

- Wrap 90° elbow with thread seal tape.
- Thread 90° elbow into the water valve.
- Do not over tighten elbow; water valve bracket could bend or water valve fitting could break.
- Position the end of the elbow to face the rear of the dishwasher.



STEP 7—INSTALL DRAIN HOSE TO DISHWASHER DRAIN PORT

Skip this step if drain hose has been pre-installed.

In this step you will need the drain hose and clamp set aside in Step 1.

- Stand dishwasher upright.
- Place drain hose clamp over 1-3/16" inside diameter end of drain hose.
- Tip:** Prevent drain hose damage and possible leaks. Be careful not to nick or cut the drain hose.
- Push the end of the drain hose over the drain pump outlet being careful not to disturb the check valve. Refer to Figure L.
- Seat the drain hose end against the hose stops on the pump outlet.
- Position hose clamp against the front lip of the drain hose and tighten clamp.

Note: Drain hose supplied with dishwasher is approximately 78" long. If a longer hose is needed, a 120" long hose (10 feet) may be purchased from an authorized GE appliance dealer. The 10' long hose is part number **GPF10L**.

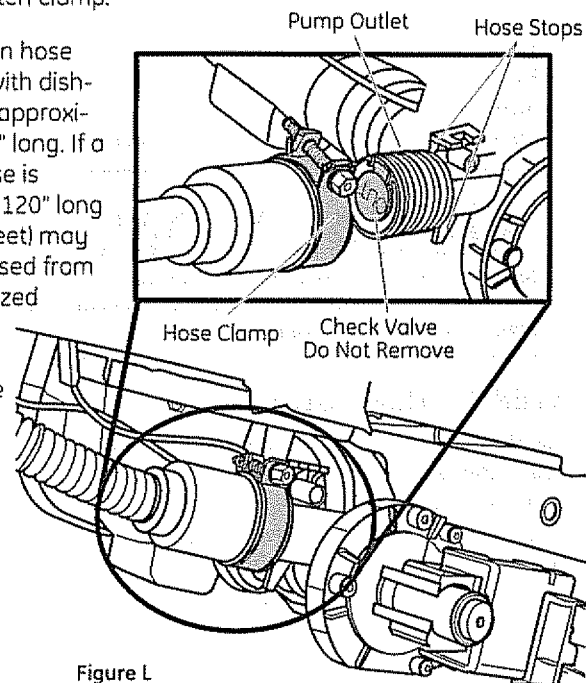


Figure L

Installation Instructions

STEP 8—POSITION WATER LINE AND HOUSE WIRING

- Position water supply line and house wiring on the floor of the opening to avoid interference with base of dishwasher and components under dishwasher.

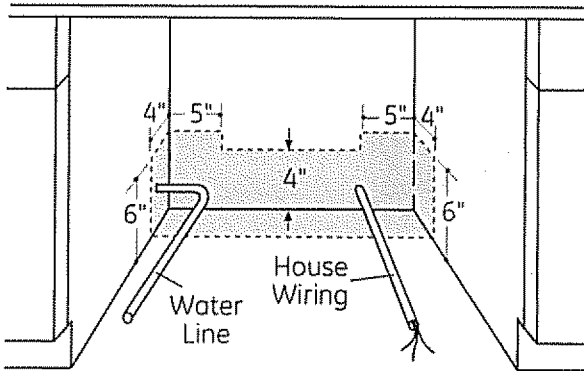


Figure M

STEP 9—INSERT DRAIN HOSE THROUGH CABINET

- Position dishwasher in front of cabinet opening. Insert drain hose into the hole in cabinet side. If a power cord is used, guide the end through a separate hole.

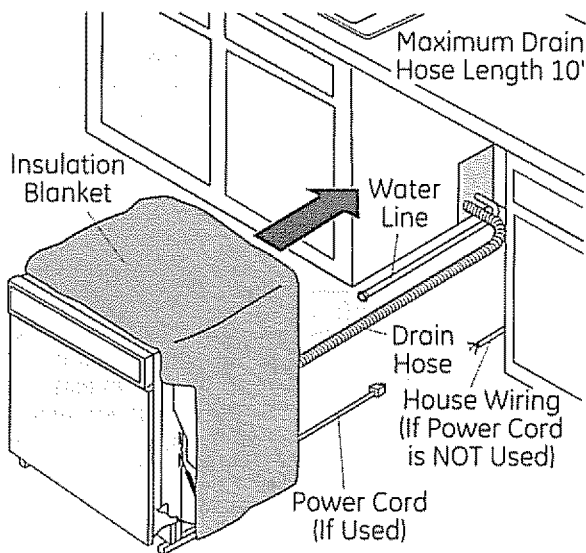


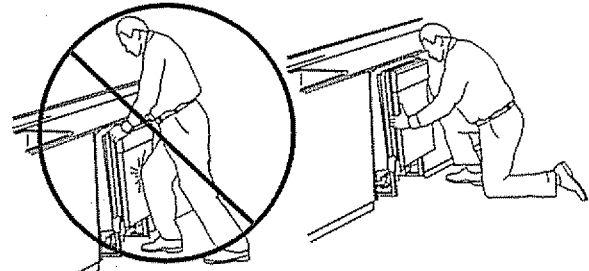
Figure N

Tip: Position water line and house wiring on the floor to avoid interference with base of dishwasher.

STEP 10—SLIDE DISHWASHER THREE-FOURTHS OF THE WAY INTO CABINET

DO NOT PUSH AGAINST FRONT PANEL WITH KNEES. DAMAGE WILL OCCUR.

- Slide dishwasher into the opening a few inches at a time.



Do Not Push Against Front Door Panel With Knee. Damage to The Door Panel Will Occur.

Figure O

- As you proceed, pull the drain hose through the opening under the sink. Stop pushing when the dishwasher extends about 6 inches forward of adjacent cabinets.
- Make sure drain hose is not kinked under the dishwasher and there is no interference with the water line and wiring or any other component.

STEP 11—INSTALL TRIM PIECES

Skip this step if trim is not supplied with the dishwasher.

- Locate the four trim pieces set aside in Step 1.
- Position the trim pieces so the lips face toward the dishwasher door.
- Select a long trim piece and press it onto the left side tub flange. Start with the top edge and press the trim piece completely onto the tub flange as you move towards the bottom. Repeat for the right side tub flange trim piece.
- Select one of the short trim pieces. Install it on the top tub flange to the left of the door latch. Select the remaining short piece of trim and install it on the top tub flange to the right of the door latch.

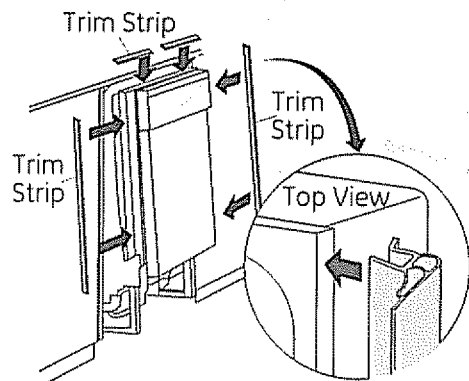


Figure P

Installation Instructions

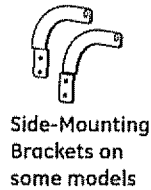
STEP 12—INSTALL SIDE-MOUNT BRACKETS (included with some models)

Skip this step if underside of countertop is wood or wood-like material.

- Install side-mount brackets if underside of countertop is granite or similar material that will not accept wood screws.
- Locate the side mount bracket kit set aside in Step 1 if it was provided with this model. Otherwise, see Note below.

Note: The brackets are available for purchase when needed for models not factory equipped with the side mount kit. Order part GPF65 from your authorized GE Appliance Dealer.

- Fasten the left-hand bracket to the left side of the dishwasher frame. Fasten the right-hand bracket to the right side of the dishwasher frame, using the #8 pan-head screws included with the kit. Refer to Step 15, Figure U for orientation and placement.



STEP 14—LEVEL DISHWASHER

IMPORTANT – Dishwasher must be level for proper dish rack operation and wash performance.

- Place level on door and lower rack track as shown. Check to make sure that the dishwasher is level left to right and front to back.

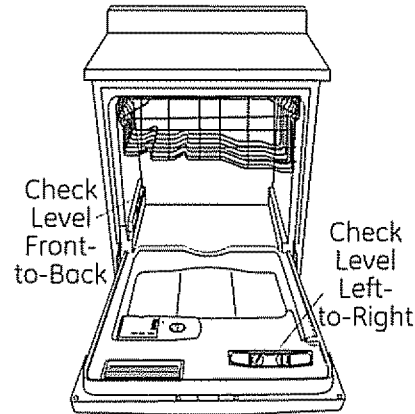


Figure R

STEP 13—PUSH DISHWASHER INTO FINAL POSITION

Tip: Check tub insulation blanket, if equipped. It should be positioned so it is not “bunched up” or interfering with door springs. Check by opening and closing door.

- Push dishwasher into the cabinet. The edges of the dishwasher door should be behind the cabinet frame and evenly aligned with the front face of cabinet doors.

Tip: Avoid unnecessary service charges. Carefully open and close the door to ensure the door panel is not catching or rubbing on the cabinet frame.

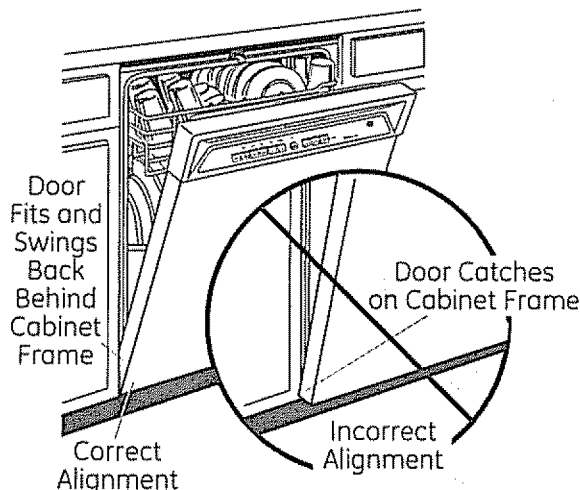


Figure Q

- Level the dishwasher by adjusting the four leveling legs individually. Refer to Figure S below.
- If adjustment to the right rear leveling leg is required, loosen junction box bracket screw (through the access hole) and rotate bracket clockwise. Be sure to tighten screw when leveling is completed.

Tip: Pull lower rack out, about halfway. Check to be sure the rack does not roll forward or back into dishwasher. If the rack rolls in either direction, the dishwasher must be leveled again.

- If door hits tub, the dishwasher is not installed correctly. Adjust leveling legs to align door to tub.

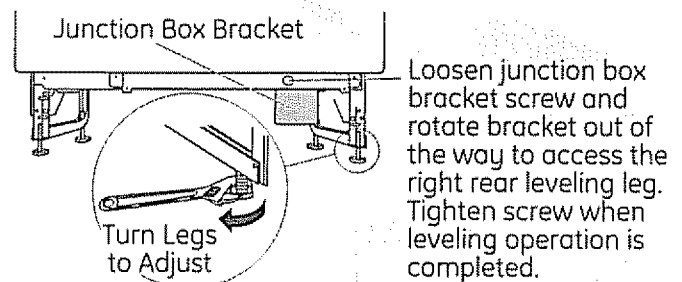


Figure S

Installation Instructions

STEP 15—POSITION DISHWASHER, SECURE TO COUNTERTOP OR CABINET

In this step you will need the 2 Phillips special head screws from the screw kit set aside in Step 1. The dishwasher must be secured to the countertop or the cabinet sides. When the underside of the countertop is wood, use Method 1. Use Method 2 when the underside of the countertop is made of a material, such as granite, that will not accept wood screws. **Tip:** Prevent door panel and control panel damage. Dishwasher must be positioned so the front panel and control panel do not contact the adjacent cabinets or countertop. Mounting screws must be driven straight and flush. Protruding screw heads could scratch the door panel or control panel and interfere with door operation.

Method 1

Secure dishwasher to underside of wood countertop.

- Recheck alignment of the dishwasher in the cabinet. Refer to Steps 13 and 14. Door panel and/or control panel must not hit cabinets or countertop.
- Fasten the dishwasher to the underside of the countertop with the 2 Phillips special head screws. Refer to Figure T. Make certain screws are driven straight and flush to prevent panel damage.

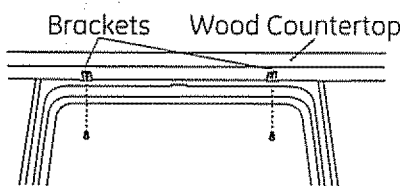


Figure T

Method 2

Secure dishwasher to cabinet sides

- Recheck alignment of the dishwasher in the cabinet. Refer to Steps 13 and 14. Door panel and/or control panel must not hit cabinets or countertop.
- Fasten the dishwasher to the adjacent cabinets with the 2 Phillips special head screws provided. Refer to Figures U and V. Make certain screws are driven straight and flush to prevent panel damage.

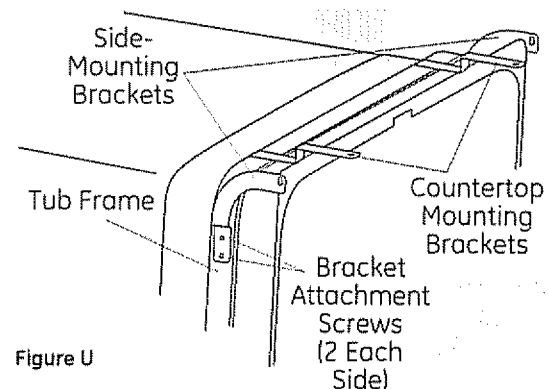


Figure U

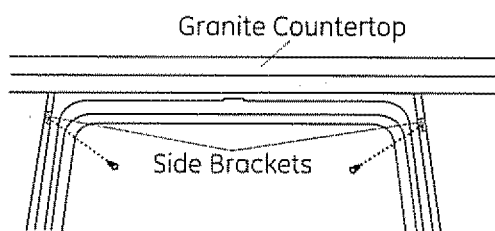


Figure V

STEP 16—CONNECT WATER SUPPLY

Connect water supply line to 90° elbow.

- Slide compression nut, then ferrule over end of water line.
- Insert water line into 90° elbow.
- Slide ferrule against elbow and secure with compression nut.

IMPORTANT – Check to be sure that door spring does not rub or contact the fill hose or water supply line. Test by opening and closing the door. Reroute the lines if a rubbing noise or interference occurs.

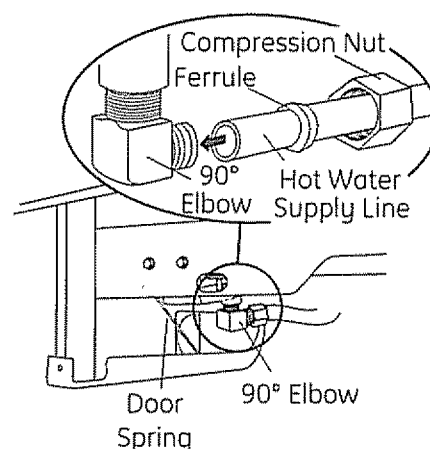


Figure W

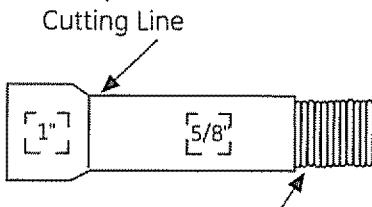
Installation Instructions

STEP 17-CONNECT DRAIN LINE

FOLLOW ALL LOCAL CODES AND ORDINANCES.

The molded end of the drain hose will fit 5/8" through 1" diameter inlet ports on the air gap, waste tee or disposer.

- Determine size of inlet port
- Cut drain hose connector on the marked line, if required, to fit the inlet port.



IMPORTANT: Do not cut corrugated portion of hose

Figure X

- If a longer drain hose is required and you did not purchase drain hose GPF10L, add up to 42" length for a total of 120" (10 feet) to the factory installed hose. Use 5/8" or 7/8" inside diameter hose and a coupler to connect the two hose ends. Secure the connection with hose clamps.

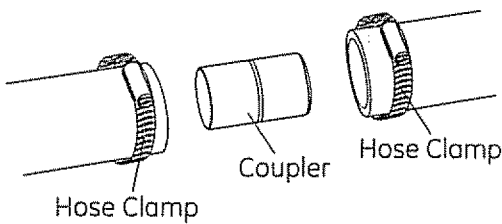


Figure Y

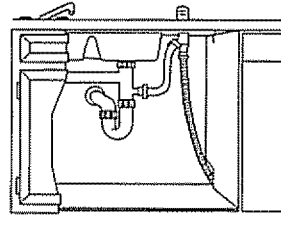
- Secure the drain hose to the air gap, waste tee or disposer with clamps.

Note: TOTAL DRAIN HOSE LENGTH MUST NOT EXCEED 10 FEET FOR PROPER DRAIN OPERATION.

DRAIN LINE INSTALLATION

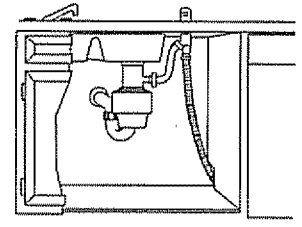
- Connect drain line to air gap, waste tee or disposer using the previously determined method.

Method 1 - Air gap with waste tee or disposer



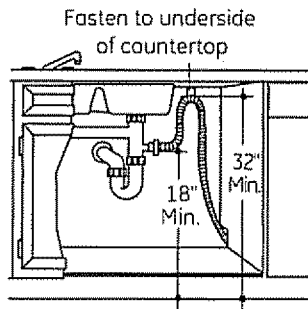
Waste Tee Installation

Figure Z



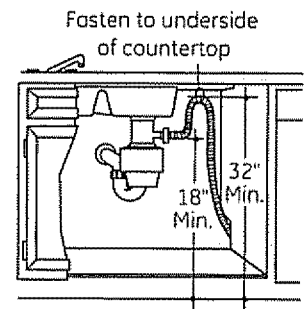
Disposer Installation

Method 2 - Built-in "High drain loop" with waste tee or disposer



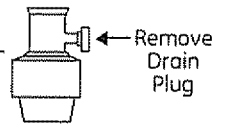
Waste Tee Installation

Figure AA



Disposer Installation

IMPORTANT - When connecting drain line to disposer, check to be sure that the drain plug has been removed. **DISHWASHER WILL NOT DRAIN IF PLUG IS LEFT IN PLACE.**



Tip: Avoid unnecessary service call charges. Prior to connecting drain hose be sure excess hose is not trapped, kinked or crushed by the dishwasher. Pull excess hose through the cabinet opening to prevent hose damage and pump out issues.

Installation Instructions

STEP 18—CONNECT POWER SUPPLY

If a power cord with plug is already installed proceed to Step 19.

In this step you will need the junction box cover and the #10 hex head screw from the screw kit set aside in Step 1.

- Secure house wiring to the back of the junction box with a strain relief.
- Locate the three dishwasher wires, (white, black and green) with stripped ends. Insert dishwasher wires through the small hole in the junction box bracket. Use UL listed wire nuts of appropriate size to connect incoming ground to green, white to white and black to black.
- Install the junction box cover using #10 hex head screw. Check to be sure that wires are not pinched under the cover.

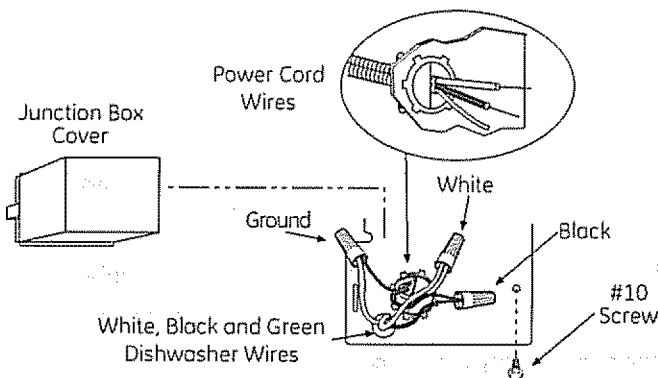
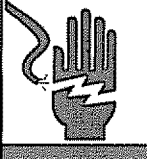


Figure BB

	<p>WARNING</p> <p>If house wiring is not 2-wire with ground, a ground must be provided by the installer. When house wiring is aluminum, be sure to use UL Listed anti-oxidant compound and aluminum- to-copper connectors</p>
---	--

STEP 19—PRETEST CHECK LIST

Review this list after installing your dishwasher to avoid charges for a service call that is not covered by your warranty.

- Check to be sure power is OFF.
- Open door and remove all foam and paper packaging.
- Locate the Owner's Manual set aside in Step 1.
- Read the Owner's Manual for operating instructions.
- Check door opening and closing. If door does not open and close freely, check for proper routing of spring cable over pulley. If door drops or closes when released, adjust spring tension. See Step 2, Figure G.
- Check to be sure that wiring is secure under the dishwasher, not pinched or in contact with door springs or other components. See Step 10.
- Check door alignment with tub. If door hits tub, level dishwasher. See Steps 14 and 15.
- Pull lower rack out, about halfway. Check to be sure it does not roll back or forward on the door. If the rack moves, adjust leveling legs. See Step 14.
- Check door alignment with cabinet. If door hits cabinet, reposition dishwasher. See Step 15.
- Check that door spring does not contact water line, fill hose, wiring or other components. See Step 16.
- Verify water supply and drain lines are not kinked or in contact with other components. Contact with motor or dishwasher frame could cause noise.
- Turn on the sink hot water faucet and verify water temperature. Incoming water temperature must be between 120°F and 150°F. A minimum of 120°F temperature is required for best wash performance. See "Prepare Hot Water Line," page 5.
- Add 2 quarts of water to the bottom of the dishwasher to lubricate the pump seal.
- Turn on water supply. Check for leaks. Tighten connections if needed.
- Remove protective film if present from the control panel and door.

Installation Instructions

206C1559P150

STEP 20—DISHWASHER WET TEST

- Turn on power supply or plug power cord into outlet, if equipped.
- Latch door.
- Push "Rinse Only" button.
- Push Start/Reset pad one time. Dishwasher should start.
- Check to be sure that water enters the dishwasher. If water does not enter the dishwasher, check to be sure that water and power are turned on.
- Check for leaks under the dishwasher. If a leak is found, turn off power at the breaker, then tighten connections. Restore power after leak is corrected.
- Check for leaks around the door. A leak around the door could be caused by door rubbing or hitting against adjacent cabinets. Reposition the dishwasher if necessary. See Step 15.
- The dishwasher will drain and turn off about 5 minutes after it was started. Check drain lines. If leaks are found, turn off power at the breaker and correct plumbing as necessary. Restore power after corrections are made. See Steps 7 and 17.
- Open dishwasher door and make sure most of the water has drained. If not, check that disposer plug has been removed and/or air gap is not plugged. Also check drain hose to be sure it is not kinked underneath or behind dishwasher. See Step 17.
- Press Start/Reset pad once again and run dishwasher through another "Rinse Only" cycle. Check for leaks and correct if required.

STEP 21—REPLACE TOEKICK

- Place toekick against the legs of the dishwasher.

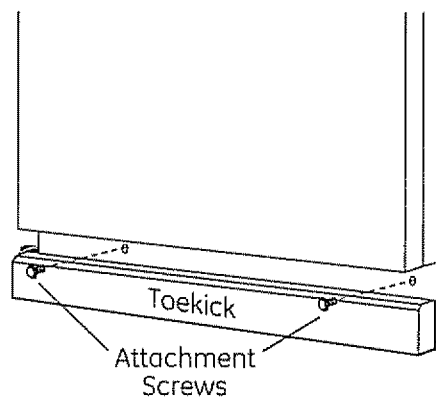


Figure CC

- Align the toekick with the bottom edge and make sure it is against the floor.
- Insert and tighten the two toekick attachment screws. The toekick should stay in contact with the floor.

Tip: Make sure toekick is against floor to minimize noise.

STEP 22—LITERATURE

- Be sure to leave complete literature package, these Installation Instructions and product samples and/or coupons with the consumer.

SPECIFICATIONS SUBJECT TO CHANGE WITHOUT NOTICE

GE Consumer & Industrial
General Electric Company
Louisville, Kentucky 40225

ge.com

© 2006 General Electric Company
Pub. No. 31-30210
Dwg. No. 206C1559P150
ND 06E-1774 (6/06)