

This Owner's Manual is provided and hosted by [Appliance Factory Parts](#).



# GE PDW9800J10BB Owner's Manual

[Shop genuine replacement parts for GE  
PDW9800J10BB](#)



[Find Your GE Dishwasher Parts - Select From 6722 Models](#)

----- Manual continues below -----



# GE Profile™ Dishwashers

**Safety Instructions** ..... 2, 3

**Operating Instructions**

Care and Cleaning ..... 15  
Control Panel and Settings ..... 4-7  
Flashing Display Lights ..... 7  
Loading Place Settings ..... 14  
Loading the Racks ..... 12-14  
Using the Dishwasher ..... 8-11

**Troubleshooting Tips** ..... 16-18

**Consumer Support**

Consumer Support ..... 24  
Product Registration ..... 19, 20  
Warranty ..... 23

**Owner's Manual**

PDW8000 Series  
PDW9000 Series

*Write the model and serial numbers here:*

**Model #** \_\_\_\_\_

**Serial #** \_\_\_\_\_

You can find them on the tub wall just inside the door.



# IMPORTANT SAFETY INFORMATION.

## READ ALL INSTRUCTIONS BEFORE USING —

### SAVE THESE INSTRUCTIONS

## ⚠ WARNING!

For your safety, the information in this manual must be followed to minimize the risk of fire or explosion, electric shock, and to prevent property damage, personal injury, or death.



## ⚠ WARNING! WATER HEATER SAFETY

Under certain conditions, hydrogen gas may be produced in a water heater that has not been used for two weeks or more. **HYDROGEN GAS IS EXPLOSIVE.**

If the hot water has not been used for two weeks or more, prevent the possibility of damage or injury by turning on all hot water faucets and allow them to run for several minutes. Do this before using any electrical appliance which is connected to the hot water system. This simple procedure will allow any built-up hydrogen gas to escape. Since the gas is flammable, do not smoke or use an open flame or appliance during this process.



## PROPER INSTALLATION AND MAINTENANCE

This dishwasher must be properly installed and located in accordance with the Installation Instructions before it is used. If you did not receive an Installation Instructions sheet with your dishwasher, you can receive one by visiting our website at [ge.com](http://ge.com).

- Connect to a grounded metal, permanent wiring system; or run an equipment-grounding conductor with the circuit conductors and connect to the equipment-grounding terminal or lead of the appliance.
  - Improper connection of the equipment-grounding conductor can result in a risk of electric shock. Check with a qualified electrician or service representative if you are in doubt whether the appliance is properly grounded.
  - Dispose of discarded appliances and shipping or packing material properly.
  - Do not attempt to repair or replace any part of your dishwasher unless it is specifically recommended in this manual. All other servicing should be referred to a qualified technician.
  - To minimize the possibility of electric shock, disconnect this appliance from the power supply before attempting any maintenance.
- NOTE:** Turning the dishwasher off does not disconnect the appliance from the power supply. We recommend having a qualified technician service your appliance.



## ⚠ CAUTION: To prevent minor injury or property damage

- Contents washed in Anti-bacterial mode, if available, may be hot to the touch. Use care before handling.
- Using a detergent that is not specifically designed for dishwashers will cause the dishwasher to fill with suds.  = 
- If your dishwasher is connected to a wall switch, ensure that the switch is on prior to use. 
- On dishwashers with electronic controls, if you choose to turn the wall switch off between wash cycles, allow 5–10 seconds after turning the switch on before touching START/RESET to allow the control to reboot.
- Non-Dishware Items: Do not wash items such as electronic air cleaner filters, furnace filters and paint brushes in your dishwasher. Damage to dishwasher and discoloration or staining of dishwasher may result.
- Close supervision is necessary if this appliance is used by or near children.
- Load light, plastic items so they will not become dislodged and drop to the bottom of the dishwasher—they might come into contact with the heating element and be damaged.

## ⚠ **WARNING! RISK OF CHILD ENTRAPMENT**

### PROPER DISPOSAL OF THE DISHWASHER

Junked or abandoned dishwashers are dangerous... even if they will sit for "just a few days." If you are getting rid of your old dishwasher, please follow the instructions to help prevent accidents.

#### **Before You Throw Away Your Old Dishwasher**

Take off the door of the washing compartment or remove the door latch (as shown).

**NOTE:** PDW9200–PDW9900 Series models also have a latch screw which must be removed (Step 1) as shown.



## ⚠ **WARNING!**

When using your dishwasher, follow basic precautions, including the following:

- Use this appliance only for its intended purpose as described in this Owner's Manual.
- Use only powder, tabs, liquid detergents or rinse agents recommended for use in a dishwasher and keep them out of the reach of children. **Cascade®**, **Cascade® Complete** and **Electrasol®** Automatic Dishwashing Detergents, and **Jet-Dry®** and **Cascade Crystal Clear®** rinse agents have been approved for use in all GE dishwashers.
- **Do not mix any chlorine bleach-based automatic dishwashing detergent with any dishwashing detergent containing enzymes as this could cause the detergents to congeal and lead to blockage of the SmartDispense™ system.**
- Locate sharp items so that they are not likely to damage the door seal.
- Load sharp knives with the handles up to reduce the risk of cut-type injuries.
- Do not wash plastic items unless marked dishwasher safe or the equivalent. For plastic items not so marked, check the manufacturer's recommendations.
- Do not touch the heating element during or immediately after use.
- Do not operate your dishwasher unless all enclosure panels are properly in place.
- Do not tamper with controls.
- Do not abuse, sit on or stand on the door or dish rack of the dishwasher.
- Do not allow children to play around dishwasher when opening or closing door due to the possibility of small fingers being pinched in door.
- Do not discard a dishwasher without first removing the door of the washing compartment or the door latch.
- Do not store or use combustible materials, gasoline or other flammable vapors and liquids in the vicinity of this or any other appliance.
- Do not allow children to play with, on or inside this appliance or any discarded appliance.



**READ AND FOLLOW THIS SAFETY INFORMATION CAREFULLY.**

**SAVE THESE INSTRUCTIONS**

# About the dishwasher control panel.

You can locate your model number on the tub wall just inside the door. Throughout this manual, features and appearance may vary from your model.



## Control Settings

### 1 Status Indicator Lights (Indicators vary by models)

The Status display tells you what is happening while the dishwasher is in operation and may flash, indicating a malfunction. The lights will come **ON** indicating the sequence of the dishwasher operation.

**LOW DETERGENT** Displayed when the SmartDispense™ needs to be refilled with liquid or gel automatic dishwasher detergent.

**NOTE:** If you are not using SmartDispense™ and you want to turn the **LOW DETERGENT** LED light off, press the **ADDED HEAT** pad 5 times within 3 seconds. You will hear 3 beeps; then the light will go off. You can turn the light back on by pressing the **ADDED HEAT** pad 5 times within 3 seconds.

<b>SENSING</b>	Displayed while the Clean Sensor™ is measuring the amount of soil and temperature of water. The dishwasher will adjust the selected cycle to achieve optimal performance.
<b>ADD-A-DISH</b>	Displayed during prewash, indicating that dishes added now will still be cleaned.
<b>WASHING</b>	Displayed during prewash, main wash and rinse periods.
<b>RINSING</b>	Displayed during rinse periods.
<b>DRYING</b>	Displayed during <b>HEATED DRY</b> .
<b>SANITIZED</b>	Displayed when cycle has met sanitization conditions.
<b>CLEAN</b>	Displayed when a wash cycle is complete.

### 2 Time Remaining Display (on some models)

During operation, the display shows the minutes remaining until the cycle is complete. The display may adjust the remaining time while the Sensing light is on. The time displayed at the start of each cycle may change from the factory setting as the unit customizes itself to home use. During a delay start, the display will show hours of time remaining until the cycle starts.

### 3 Selections

*PDW8000 Series:* Press the pad for the desired wash cycle.

*PDW9000 Series:* Use the Arrow Pads   to scroll through the wash cycles.

**NOTE:** All cycle times and water usage information contained in the following section are approximate values. Actual results will depend on several factors, including but not limited to inlet temperature, household water pressure and amount of soil in the wash water.

The light above or next to the selected pad will be **ON** to indicate which **WASH CYCLE** has been selected.

### 3 Selections (continued)

**ANTI-BACTERIA** **Heavy** 8.8 gal., 105 min.  
**Medium** 7.5 gal., 95 min.  
**Light** 6.3 gal., 85 min.

This cycle raises the water temperature in the final rinse to sanitize your dishware. The cycle length will vary depending on the temperature of your inlet water.

**NOTE:** The Anti-Bacteria cycle is monitored for sanitization requirements. If the cycle is interrupted during or after the main wash portion or if the incoming water temperature is so low that adequate water heating cannot be achieved, the sanitizing conditions may not be met. In these cases, the sanitized light will not illuminate at the end of the cycle.

**NOTE:** NSF-certified residential dishwashers are not intended for licensed food establishments.

**COOKWARE (POTS & PANS)** **Heavy** 10.0 gal., 80 min.  
**Medium** 8.8 gal., 70 min.  
**Light** 7.5 gal., 60 min.

This cycle is meant for heavily soiled dishes or cookware with dried-on or baked-on soils. This cycle may not remove burned-on foods. Everyday dishes are safe to be used in this cycle.

**NORMAL WASH** **Heavy** 8.8 gal., 70 min.  
**Medium** 7.5 gal., 60 min.  
**Light** 5.0 gal., 50 min.

This cycle is for medium/heavily soiled dishes and glassware.

**SPEED CYCLE** 7.5 gal., 35 min.  
 (on some models) This cycle is for everyday dishes and glassware.

**CHINA CRYSTAL** 7.5 gal., 35 min.  
 This cycle is for lightly soiled china and crystal.

**GLASSES** 7.5 gal., 30 min.  
 (on some models) This cycle is specifically designed for glasses.

**PLASTICS CYCLE** **Heavy** 8.8 gal., 120 min.  
 (on some models) **Medium** 7.5 gal., 105 min.  
**Light** 5.0 gal., 90 min.

The longer time for this cycle includes a built-in drying portion that is specifically designed to reduce the risk of melting plastic items and improve plastic drying. For removing red tomato-based stains, GE recommends the use of Cascade® Plastic Booster™.

**SINGLE RACK WASH** **Heavy** 8.2 gal., 70 min.  
 (on some models) **Medium** 7.0 gal., 60 min.  
**Light** 4.6 gal., 50 min.

This cycle washes lightly soiled dishes on the **upper rack only**.

**RINSE ONLY** 2.5 gal., 10 min.

For rinsing partial loads that will be washed later. Do not use detergent with this cycle.

**NOTE:** On the PDW8000 Series models, the **CHINA CRYSTAL/PLASTICS** selector is a toggle pad; push pad to switch between **CHINA CRYSTAL** and **PLASTICS**.

**NOTE:** This dishwasher is equipped with CleanSensor™ with automatic temperature control; therefore, cycle length and time may vary depending on soil and water temperature conditions.

**NOTE:** Only the Anti-Bacteria cycle has been designed to meet the requirements of Section 6, NSF 184 for soil removal and sanitization efficacy.

## About the dishwasher control panel.

### 4 Enhancements

The light above the selected pad will be **ON** to indicate which **ENHANCEMENT** has been selected.

**DELAY HOURS** You can delay the start of a wash cycle for up to 24 hours (depending on model). Press the **DELAY START** pad to choose the number of hours you want to delay the start of the cycle; then press **START/RESET**.

**PDW8000 Series:** The machine will count down and start automatically at the correct time.

**PDW9000 Series:** After closing the door, the machine will count down and automatically start at the correct time.

**NOTE:** To cancel the **DELAY START** selection before the cycle begins, repeatedly press the **DELAY START** pad until the display is blank.

**ADDED HEAT (EXTRA HOT WASH)** When selected, the cycle will run longer with heating element on to improve both wash and dry performance.

**NOTE:** Cannot be selected with **RINSE ONLY** cycle.

**PRE WASH (on some models)** For use with heavily soiled and/or dried-on, baked-on soils. This option **MUST** be selected **PRIOR** to starting the cycle. This option adds 15 minutes to the cycle time.

**NOTE:** Cannot be selected with **RINSE ONLY** cycle.

**HEATED DRY Light Off** Shuts off the drying heat option. Dishes will air dry naturally (PDW8900 Series) or fan dry (PDW9200–PDW9900 Series) to save energy.

**HEATED DRY Light On** Turns the heater on for fast drying. This will extend the total cycle time by 15 minutes for the **ANTI-BACTERIAL** cycle, 38 minutes for the **NORMAL, SINGLE RACK WASH** and **COOKWARE** cycles, 8 minutes for the **SPEED** cycle, 15 minutes for the **PLASTICS** cycle and 30 minutes for all other cycles.

**NOTE:** Cannot be selected with **RINSE ONLY** cycle.

**LOCK** You can lock the controls to prevent any selections from being made. Or you can lock the controls after you have started a cycle.



**Children cannot accidentally start dishwasher by touching pads with this option selected.**

To unlock the dishwasher controls, press and hold the **HEATED DRY** pad for 3 seconds. The light above the lock pad will turn off. To lock the dishwasher, press and hold the **HEATED DRY** pad for 3 seconds. The light above the **LOCK** pad will turn on.

**RESET** To change a cycle after washing starts...

**PDW8000 Series:** Touch the **START/RESET** pad to cancel the cycle. The **START/RESET** light will flash while the water is pumped out if needed. This takes approximately 2 minutes.

**PDW9000 Series:** Open the door slowly to prevent splash-out. Touch the **START/RESET** pad to cancel the cycle. If the **START/RESET** light is flashing, close the door until the water pumps out (this takes approximately 2 minutes) and the light stops flashing.

When the light stops flashing, the dishwasher can be reprogrammed and restarted.

### 5 Start

#### PDW8000 Series

Close and latch the dishwasher door and select the cycle and desired enhancements. Touch the **START/RESET** pad to begin the cycle. Water fill begins immediately, and approximately 60 seconds later the wash action begins.

When the dishwasher door is fully closed and latched, the control panel lights will display the last settings you selected. If you don't want to change any of the settings, simply touch the **START/RESET** pad to begin the cycle.

If the door is closed, the indicator lights will turn off if the **START/RESET** pad is not selected within 5 minutes. To activate the display, open and close the door or press any pad.

**5** *Start (continued)***PDW9000 Series**

After selecting the cycle and desired enhancements, touch the **START/RESET** pad to ready the dishwasher to begin the cycle. Close the door to start the cycle or begin the **DELAY START** countdown. When the cycle starts, the water fill begins and approximately 60 seconds later the wash action begins.

The dishwasher will always display your last selection and enhancements. If you don't want to change the settings, simply touch the **START/RESET** pad to ready the dishwasher and close the door to begin the cycle.

Also, if a power failure occurs **NORMAL** and **HEATED DRY** will automatically be programmed. Make any new selections and touch the **START/RESET** pad to begin the new cycle.

When the door is opened, the indicator lights will turn off if the **START/RESET** pad is not selected within 5 minutes. To activate the display, open and close the door or touch any pad.

**6** *Clean***PDW8000 Series**

The **CLEAN** light is illuminated when the selected cycle and enhancements are complete. The light will stay **ON** until a pad is pressed or the door is opened and then closed.

**PDW9200 Series–PDW9900 Series**

The **CLEAN** light is illuminated and a double beep will sound when the selected cycle and enhancements are complete. You may remove the dishes at any time. The high-efficiency fan will run quietly for 30 minutes to 4 hours (depending on selected cycle) after the **CLEAN** light is illuminated to continue drying the dishes. The fan can be turned off by opening the door and pressing any keypad.

**ALL MODELS:** To turn off the audible end-of-cycle signal (or re-activate it if it was previously turned off), press the **HEATED DRY** pad 5 times within 3 seconds. A triple beep will sound to indicate the end-of-cycle beep option has been toggled.

## Flashing display lights.

<i>Status Indicator Lights</i>	<i>What It Means</i>
<b>START/RESET</b>	Cycle has been interrupted by pressing the <b>START/RESET</b> pad, or there has been a power failure. Light will stop flashing after the dishwasher automatically drains out the water. The dishwasher will restart if the interruption was the result of a power failure.

## Recommended dishwasher products.

GE recommends the following products for use in its dishwashers:

- For your manual detergent dispenser, **Cascade®** and **Electrasol®** powder, liquid or gel automatic dishwasher detergents are approved.
- For your SmartDispense™ Detergent Dispenser, use only the recommended detergents listed on page 10 of this manual.
- **Jet Dry®** or **Cascade Crystal Clear®** rinse agents to remove spots and prevent new film buildup on your dishes, glasses, flatware, cookware and plastic. Using rinse agent also improves dry performance.
- **Cascade® Plastic Booster™** to remove red staining inside your dishwasher that can come from some tomato-based foods.
- **Cerama Bryte®** Stainless Steel Appliance Cleaner to clean the exterior stainless steel panel of GE and Profile™ dishwashers (for stainless steel exterior models only).

## Using the dishwasher.



### Check the Water Temperature

The entering water should be at least 120°F and not more than 150°F for effective cleaning and to prevent dish damage. Check the water temperature with a candy or meat thermometer. Turn on the hot water faucet nearest the dishwasher, place the thermometer in a glass and let the water run continuously into the glass until the temperature stops rising.



### Use Jet-Dry® or Cascade Crystal Clear® Rinse Agent

**Jet-Dry®** or **Cascade Crystal Clear®** rinse agent improves drying, removes spots and prevents new film buildup on your dishes, glasses, flatware, cookware and plastic.

#### Filling the Dispenser

The rinse agent dispenser holds 3.5 oz. of rinse agent. Under normal conditions, this will last approximately one month. Try to keep it full, but do not overfill.

- 1 Make sure the dishwasher door is fully open.
- 2 Turn the dispenser cap to the left and lift it out.
- 3 Add rinse agent until the indicator window looks full.
- 4 Clean up any spilled rinse agent with a damp cloth.
- 5 Replace the dispenser cap.



#### Rinse Aid Setting

The amount of rinse agent released into the final wash can be adjusted. The factory setting is at the midpoint. If there are rings of calcium (hard water) spots on dishes, try a higher setting. If there is foaming, use a lower setting.

#### To adjust the setting:

Remove the dispenser cap; then turn the adjuster counterclockwise to increase the amount of rinse agent or clockwise to reduce the amount of rinse agent dispensed.



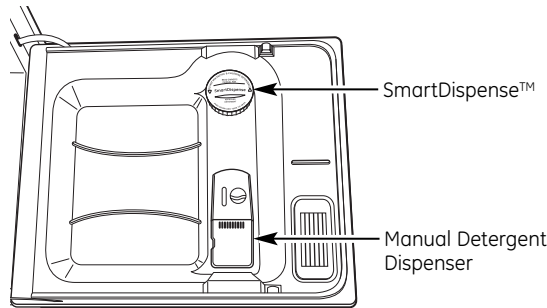
### Dish Preparation Prior to Loading

- No prerinseing of normal food soil is required.
- Remove large quantities of any remaining food.
- Scrape off hard soils, bones, toothpicks, skins and seeds.
- Remove leafy vegetables, meat trimmings and excessive amounts of grease or oil.



## Manual Detergent Dispenser

Your dishwasher comes equipped with an automatic liquid dishwasher detergent dispenser (SmartDispense™) and a manual dispenser. You can use either of these dispensers but don't use both at the same time.



For heavily soiled loads, use a bit more detergent. For water temperatures above 140°F, use a bit less detergent.



For heavily soiled loads, use the Pots and Pans or Heavy Wash cycle.

The cover of the manual dispenser will open during the wash cycle. If you are using SmartDispense™, leave the cover of the manual dispenser open before starting the cycle.

For the manual dispenser, **Cascade®** and **Electrasol®** Automatic Dishwashing Detergents have been approved. You may use powder, liquid, gel or tablets in this dispenser. It is important to keep powdered detergents and tablets fresh and dry so they don't lose effectiveness. Therefore, do not put detergent into the manual dispenser until you are ready to wash dishes.

### DO NOT USE HAND DISH DETERGENT



### Filling Manual Detergent Dispenser

The amount of detergent to use depends on whether your water is *hard* or *soft*. With hard water, you need extra detergent. With soft water, you need less detergent.

Protect your dishes and dishwasher by contacting your water department and asking how hard your water is. Twelve or more grains is extremely hard water. A water softener is recommended. Without it, lime can build up in the water valve, which could stick while open and cause flooding. Too much detergent with soft water can cause a permanent cloudiness of glassware, called *etching*.

Use the information in the table below as a guide to determine the amount of automatic dishwasher detergent to place in the dispenser. You may use powder, liquid, gel or tablets in this dispenser.

When using automatic dishwashing detergent tablets, simply place one tablet in the main wash section and close the cover.

Number of Grains	Detergent Cups to Fill
Less than 4	Fill cup to soft line (1/3 full)
4 to 8	Fill cup to medium soft line (2/3 full)
8 to 12	Fill cup to medium hard line (completely full)
Greater than 12	Fill both main wash cup and pre wash cup

**NOTE:** Using a detergent that is not specifically designed for dishwashers will cause the dishwasher to fill with suds. During operation, these suds will spill out of the dishwasher vents, covering the kitchen floor and making the floor wet.

Because so many detergent containers look alike, store the dishwasher detergent in a separate space from all other cleaners. Show anyone who may use the dishwasher the correct detergent and where it is stored.

While there will be no lasting damage to the dishwasher, your dishes will not get clean using a dishwashing detergent that is not formulated to work with dishwashers.

# Using the dishwasher.

## SmartDispense™ Detergent Dispenser (some models)

This dishwasher may have SmartDispense™, a feature which automatically dispenses liquid automatic dishwasher detergent into each cycle based on soil level and water hardness.

To utilize the SmartDispense™ Detergent Dispenser, it must first be filled. Although any liquid or gel automatic dishwashing detergent can be used in the SmartDispense™ system, all liquid or gel automatic dishwashing detergents are not the same. Most automatic dishwashing detergents are chlorine bleach-based (such as Cascade® or Electrasol®) while others contain enzymes (such as Cascade Complete®).

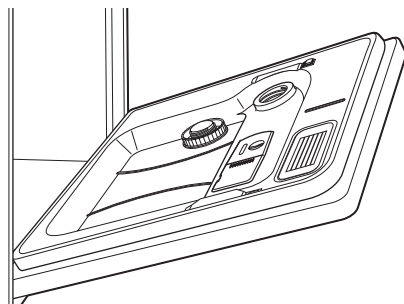
**Do not mix any chlorine bleach-based automatic dishwashing detergent with any dishwashing detergent containing enzymes as this could cause the detergents to congeal and lead to blockage of the SmartDispense™ system.** Check the detergent label to determine if the detergent is chlorine bleach-based or one that contains enzymes. It is recommended that the same type of detergent be used when refilling your SmartDispense™ system.

**CAUTION!** Absolutely do not add powder detergent, tablets or any liquid soap or detergent normally used for washing hands or dishes in a sink. Only use liquid or gel detergent specifically designed for use in an automatic dishwasher.

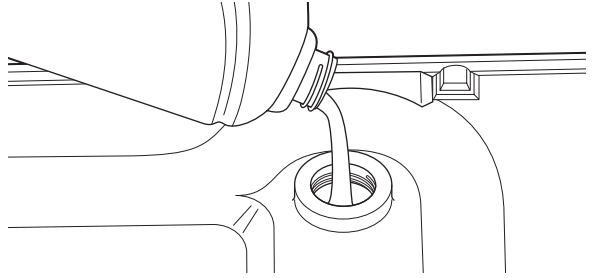
To open the dispenser for filling, push down and turn the blue cap counterclockwise until the cap is loose. Lift cap off.



Set the door at a comfortable angle to fill the dispenser.



Aim the detergent bottle at the opening in the door and begin to fill.



The dispenser will hold 45 oz of liquid dishwasher detergent (standard size bottle).



When full, replace the cap and turn clockwise until tight. If residue is left on the door, it will be washed off in the next cycle.

An indicator light will turn on to notify you when the dispenser needs to be filled again. After filling, the light will not turn off until the door is closed. A full dispenser will last approximately 1 month for the average user.

		<b>STATUS</b>	
Light will turn on when time to refill	○	<b>SmartDispense</b> <b>LOW DETERGENT</b>	● <b>DRYING</b>
	●	<b>SENSING</b>	● <b>SANITIZED</b>
	●	<b>WASHING</b>	● <b>CLEAN</b>
	(appearance may vary)		

**NOTE:** If you are not using SmartDispense™ and you want to turn the **LOW DETERGENT** LED light off, press the **ADDED HEAT** pad 5 times within 3 seconds. You will hear 3 beeps; then the light will go off. You can turn the light back on by pressing the **ADDED HEAT** pad 5 times within 3 seconds.

# SmartDispense™ Detergent Dispenser Water Hardness Calibration

Prior to the first use, the dishwasher needs to be calibrated for water hardness. Please follow directions below to calibrate the dishwasher to the hardness of your tap water.

## Determine the Hardness of Your Tap Water

In the bag that contained these instructions, you should find a water hardness test strip package. Read the instructions on the package, remove the test strip and follow the instructions to determine the hardness level of your tap water. You will use this information to calibrate your dishwasher to dispense the optimal amount of detergent.

### Water hardness test strip indication



### Calibration of 12-Button Front-Control Models With 3-Digit Display



- 1 Close and latch the door (lights on, dishwasher not running).
- 2 Press the **COOKWARE** and **DELAY HOURS** pads at the same time for 3 seconds. The display will show a number from **1** to **5**. This is the water hardness value currently set.
- 3 Press the **COOKWARE** pad to raise the value or the **NORMAL** pad to lower the value. Set the water hardness value to the number determined with the test strip and table above.
- 4 Once the water hardness is set, press the **START/RESET** pad to save the setting and return the dishwasher to normal operation.

### Calibration of 7-Button Front-Control Models With 3-Digit Display



- 1 Open the door and touch a pad (other than **START**) to turn lights on.
- 2 Press the "Up" Arrow Pad and **DELAY HOURS** pad at the same time for 3 seconds. The display will show a number from **1** to **5**. This is the water hardness value currently set.

- 3 Press the "Up" Arrow Pad to raise the value or the "Down" Arrow Pad to lower the value. Set the water hardness value to the number determined with the test strip and table at the left.
- 4 Once the water hardness is set, press the **START/RESET** pad to save the setting and return the dishwasher to normal operation.

### Calibration of Models Without a 3-Digit Display

#### Front controls

- 1 Close and latch the door (lights on, dishwasher not running).
- 2 Press the **COOKWARE** and **DELAY HOURS** pads together for 3 seconds. All lights will light up and you will hear 1 to 5 beeps. The number of beeps indicates the current hardness value.
- 3 To change the setting, press the **DELAY HOURS** pad the number of times that corresponds to the water hardness value determined at the left. The control will beep each time you press the pad.
- 4 Once finished pressing the pad, you will hear a confirmation with beeps for the number of times you pressed the pad.
- 5 If the number of beeps is not what you desire, start pressing the **DELAY HOURS** pad again to reenter a new water hardness level.
- 6 Once the water hardness is set, press the **START/RESET** pad to save the setting and return the dishwasher to normal operation.

#### Top controls

- 1 Open the door and touch a pad to turn lights on.
- 2 Press the "Up" Arrow Pad and **DELAY HOURS** pad at the same time for 3 seconds. All lights will light up and you will hear 1 to 5 beeps. The number of beeps indicates the current hardness value.
- 3 To change the setting, press the **DELAY HOURS** pad the number of times that corresponds to the water hardness value determined at the left. The control will beep each time you press the pad.
- 4 Once finished pressing the pad, you will hear a confirmation with beeps for the number of times you pressed the pad.
- 5 If the number of beeps is not what you desire, start pressing the **DELAY HOURS** pad again to reenter a new water hardness level.
- 6 Once the water hardness is set, press the **START/RESET** pad to save the setting and return the dishwasher to normal operation.

**NOTE:** You should recalibrate the dishwasher control if water conditions change; for example, if a water softener system is added or removed from your home.

## Loading the dishwasher racks.

For best dishwashing results, follow these loading guidelines. Features and appearance of racks and silverware baskets may vary from your model.



### Upper Rack

Although the upper rack is primarily for glasses, cups and saucers, pots and pans can be placed in this rack for effective cleaning. Cups and glasses fit best along the sides. This is also a secure place for dishwasher plastics.

The utility shelf (some models) may be placed in the up or down position to add flexibility. A wine glass holder (some models) secures wine glasses for best washability.

Some models have contoured metal cup shelves that can secure up to 12 wine glasses (as shown).

Because wine glasses come in various sizes, after loading, slowly push in the rack to make sure they will clear the top of the dishwasher.

Some models have an Angled Rack System, which allows you to angle your dishes, such as coffee mugs, for better cleaning and quicker drying. To position the tines, pull the lever forward then drop the tines into position, then release the lever.

The upper rack is good for all kinds of odd-shaped utensils. Saucepans, mixing bowls and other items should be placed face down. Fold-down tines (on some models) provide flexibility for extra-large and hard-to-fit items.

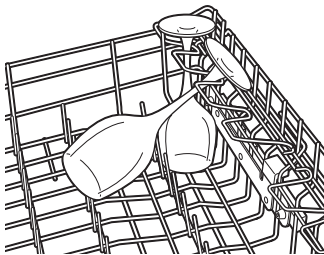
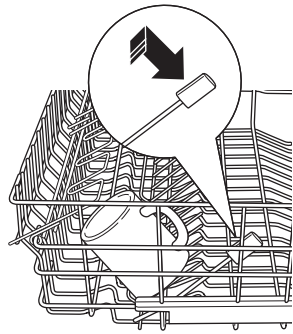
Secure larger dishwasher-safe plastics over 2 times when possible.

Make sure small plastic items are secure so they can't fall onto the heater.

Be sure that items do not protrude through the bottom of the rack and block rotation of the middle spray arm. This could result in poor wash performance for items in the upper rack.

Check to make sure that no items will block rotation of the wash arm.

**NOTE:** The Single Rack Wash selection, on models with this feature, washes the upper rack only. If you use this feature, do not load items in the lower rack.



### Adjustable Upper Rack

The standard position of your adjustable rack is "up" which allows for maximum clearance for your taller items in the lower rack. If you have taller wine glasses, tumblers or other items to place in the upper rack, you may want to adjust the rack to the lower position.

**To lower the rack,** support the weight of the rack with your hands as shown and press both finger pads about 1/4" toward the inside of the rack as indicated and guide the rack down to its lower position.

**To raise the rack** to the "up" position, pull up on the center of the rack side frame until the rack locks into place.



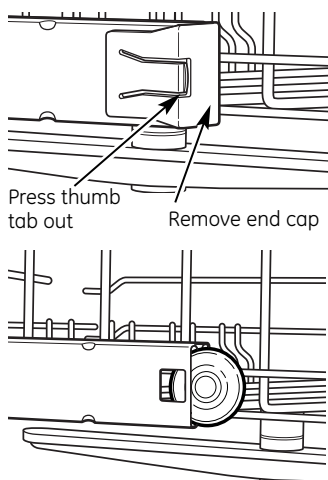


### Lower Rack

The lower rack is best used for plates, saucers and cookware. Large items such as broiler pans and baking racks should go along the left-hand side. Load platters, pots and bowls along the sides, in corners or in the back. The soiled side of items should face the center of the rack. If necessary, oversized glasses and mugs can be placed in the lower rack to maximize loading flexibility.

Also, be careful not to let a portion of an item such as a pot or dish handle extend through the bottom rack. This could block the wash arm and cause poor washing results.

Fold-down tines (on some models) provide flexibility for extra-large and hard-to-fit items. The tines may be left in the up position or folded down to customize the lower rack.



### Removing the Upper Rack

You can remove the upper rack to allow space for large items in the lower rack.

**NOTE:** Do not use the **SINGLE RACK WASH** cycle (some models) with this feature. Single Rack Wash cycle is for upper rack wash only. The recommended cycle for lower rack only use is the **COOKWARE** cycle.

#### To remove the upper rack:

- 1 Press thumb tab out and remove the front end caps on each side of the rail.
- 2 Pull the rack straight out and off the rails.
- 3 Replace the end caps.
- 4 Push the rails all the way back into the dishwasher.

- 5 Slide the shower nozzle attachment (located in the bag that contained these instructions) over the spout.



- 6 Then fill the lower rack and begin your cycle.

**NOTE:** Don't forget to remove the shower nozzle attachment before you replace the upper rack.



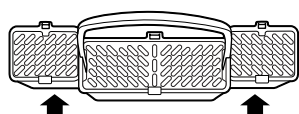
One-piece basket (on some models)



Three-piece basket (on some models)



Don't let any item extend through bottom.



To remove end baskets, grasp the basket at opposite corners and slide apart.

### Silverware Basket

To load flatware, simply push the adjustable handle to either side (on some models). Put flatware in the removable basket with fork and knife handles up to protect your hands. Place spoons in the basket with handles down. Mix knives, forks and spoons so they don't nest together. Distribute evenly. Small plastic items, such as measuring spoons and lids from small containers should go in the bottom of the silverware basket with the silverware on top.

The one-piece silverware basket (on some models) can be placed in the front, right side or back of the lower rack.

A variety of options is available regarding the three-piece silverware basket (on some models) in your dishwasher. The complete basket is designed to fit on the right side of the lower rack. Additionally, each end of the basket is removable to add loading flexibility to accommodate flatware and lower rack capacity needs.

The lids of both end and middle baskets (on some models) can be closed to contain small items. Long items can be placed on the utility shelf in the upper rack.

# Loading the dishwasher racks.

## Extra Rack Features (on some models)



### Cutlery Tray

The cutlery tray holds up to 4 large knives such as a carver, chef's knives, bread knife, etc., that are too tall to fit in the silverware basket.

Hook the tray onto the rear of the upper rack. Lay the knives between the guides (as shown).



These tines fold down Large-bowl tines

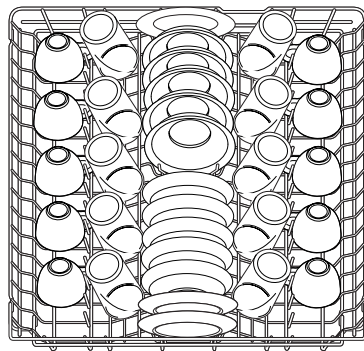
### Bowl Tines

The special large-bowl tines in the lower rack add flexibility to your loading pattern. They are useful for serving bowls or other large bowls.

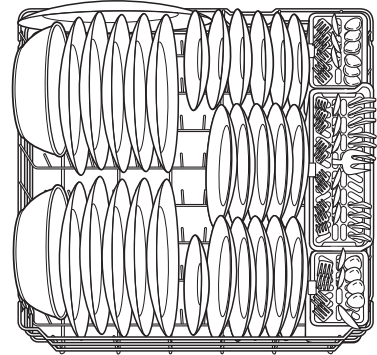
To use the bowl tines, fold down the 2 rows of flex tines in front of the bowl tines and load bowls just as you would in the upper rack.

## Loading place settings...

Follow these guidelines for loading 10 place settings. Features and appearance of racks and silverware baskets may vary from your model. **NOTE:** Silverware should be individually loaded into the slots on the silverware basket lid.



Upper Rack—10 place settings

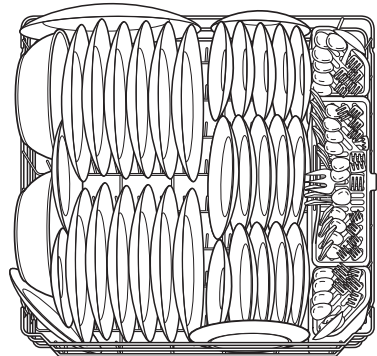


Lower Rack—10 place settings

Follow these guidelines for loading 12 place settings. Features and appearance of racks and silverware baskets may vary from your model. **NOTE:** Silverware should be individually loaded into the slots on the silverware basket lid.



Upper Rack—12 place settings



Lower Rack—12 place settings

## Cleaning the Exterior Door Panel

Before cleaning the front panel, make sure you know what type of panel you have. Refer to the last two letters of your model number. You can locate your model number on the left-hand tub wall just inside the door. If your model number ends with BB, CC, WW, SA or BG, then you have a Painted Door panel. If your model number ends with SS, then you have a Stainless Steel Door panel. If your model number ends with CS, then you have a CleanSteel panel.

Follow the instructions below for cleaning the door panel for your specific model.

**Painted Door Panel** (model numbers ending in BB-black, CC-bisque, WW-White, SA-silver metallic or BG-graphite black)

Use a clean, soft, lightly dampened cloth, then dry thoroughly. You may also use a good appliance wax or polish.

**Stainless Steel Door Panel** (model numbers ending in SS)

The stainless steel panels can be cleaned with *Stainless Steel Magic* or a similar product using a clean, soft cloth. Do not use appliance wax, polish, bleach or products containing chlorine on Stainless Steel doors.

You can order *Stainless Steel Magic* #WX10X15 through GE Parts by calling 800.626.2002.

**CleanSteel Door Panel** (model numbers ending in CS)

Use a clean, soft, lightly dampened cloth, then dry thoroughly. Do not use appliance wax, polish or any chemical agent on CleanSteel doors.

*Do not wipe the dishwasher with a soiled dish cloth or wet towel. These may leave a residue. Do not use scouring pads or powdered cleaners because these products can scratch the finish.*

## Stainless Steel Interior—Tub and Inner Door

The stainless steel used to make the dishwasher tub and inner door provides the highest reliability available in a GE dishwasher. If the dishwasher tub or inner door should be scratched or dented during normal use, they will not rust or corrode. These surface blemishes will not affect their function or durability.

## Cleaning the Control Panel

To clean the control panel, use a lightly dampened cloth. Then dry thoroughly.

## Protect Against Freezing

If your dishwasher is left in an unheated place during the winter, ask a service technician to:

- 1 Cut off electrical power to the dishwasher. Remove fuses or trip circuit breaker.
- 2 Turn off the water supply and disconnect the water inlet line from the water valve.

- 3 Drain water from the water inlet line and water valve. (Use a pan to catch the water.)
- 4 Reconnect the water inlet line to the water valve.



Check the air gap any time your dishwasher isn't draining well.

## Does Your Dishwasher Have an Air Gap?

An air gap protects your dishwasher against water backing up into it if a drain clogs. The air gap is not a part of the dishwasher. It is not covered by your warranty. Not all plumbing codes require air gaps, so you may not have one.

**The air gap is easy to clean.**

- 1 Turn off the dishwasher and lift off the cover.
- 2 Remove the plastic cap and clean with a toothpick.

## Before you call for service...



### Troubleshooting Tips

Save time and money! Review the charts on the following pages, or visit [ge.com](http://ge.com). You may not need to call for service.

Error Messages	Possible Causes	What To Do
<b>START/RESET status indicator light flashing</b>	You have pressed the <b>START/RESET</b> pad while the dishwasher is running. This will cancel the cycle. The light will stop flashing after the dishwasher drains (about 90 seconds).	<ul style="list-style-type: none"> <li>Press the <b>START/RESET</b> pad only one time to start the dishwasher. When the dishwasher is running, only press the <b>START/RESET</b> pad if you wish to cancel (reset) the cycle.</li> </ul>
	Power to the dishwasher was turned off while a cycle was running and power has just been restored to the dishwasher. The blinking lights indicate that the dishwasher is draining water inside.	<ul style="list-style-type: none"> <li>The light will stop flashing after the dishwasher drains out the water. A new cycle will start automatically when the drain ends.</li> </ul>
<b>Dishwasher BEEPS once every 30 seconds</b>	This is a reminder that your dishwasher door has been left open during operation. It will continue beeping until you close the door.	<ul style="list-style-type: none"> <li>Close and latch the door after opening it mid-cycle. Beeping will stop and dishwasher will complete cycle.</li> </ul>
<b>Beeping at the end of the cycle</b>	This is normal. The dishwasher will beep twice at the end of the cycle.	<ul style="list-style-type: none"> <li>To turn off the double beep indicator (or re-activate it if it was previously turned off), press the <b>HEATED DRY</b> pad 5 times within 3 seconds. A triple beep will sound to indicate the end-of-cycle beep option has been turned on or off.</li> </ul>
<b>Low Detergent Light ON</b>	SmartDispense™ has less than 10 cycles worth of detergent left in the dishwasher.	<ul style="list-style-type: none"> <li>Fill the SmartDispense™ reservoir with liquid dishwasher detergent. After filling the reservoir, the <b>LOW DETERGENT</b> light will turn OFF once the door is closed.</li> </ul>

Problem	Possible Causes	What To Do
<b>Dishes and flatware not clean</b>	<b>Low inlet water temperature</b>	<ul style="list-style-type: none"> <li>Make sure inlet water temperature is correct (see page 8). Turn on the hot water faucet nearest the dishwasher; let run until the water temperature stops rising. Then start the dishwasher and turn off the faucet. This ensures the entering water is hot.</li> <li>Try not to use the dishwasher when hot water is being used elsewhere in the house; for example, when doing laundry or when a family member is using the shower.</li> </ul>
	<b>Water pressure is temporarily low</b>	<ul style="list-style-type: none"> <li>Turn on a faucet. Is water coming out more slowly than usual? If so, wait until pressure is normal before using your dishwasher.</li> <li>Try not to use the dishwasher when hot water is being used elsewhere in the house; for example, when doing laundry or when a family member is using the shower.</li> </ul>
	<b>Air gap or disposer is clogged</b>	<ul style="list-style-type: none"> <li>Clean the air gap or flush the disposer.</li> </ul>
	<b>Improper rack loading</b>	<ul style="list-style-type: none"> <li>Make sure large dishware does not block the detergent dispenser or the wash arms. See the <i>Loading the dishwasher racks</i> section.</li> </ul>
	<b>No air gap or high drain loop</b>	<ul style="list-style-type: none"> <li>Verify that you have an air gap or a high drain loop. Refer to the Installation Instructions.</li> </ul>

Problem	Possible Causes	What To Do
<b>Spots and filming on glasses and flatware</b>	Extremely hard water Low inlet water temperature Overloading the dishwasher Improper loading Old or damp powder detergent Rinse agent dispenser empty Too little detergent	<ul style="list-style-type: none"> <li>Use <b>Jet-Dry</b>® or <b>Cascade Crystal Clear</b>® rinse agents to remove spots and prevent new film buildup.</li> <li>Make sure water temperature is at least 120°F.</li> <li>Load dishwasher as shown in the <i>Loading Place Settings</i> section.</li> <li>Make sure detergent is fresh.</li> <li>If water is extremely hard, a softener may be required.</li> </ul>
<b>Cloudiness on glassware</b>	Combination of soft water and too much detergent  Water temperature entering the dishwasher exceeds 150°F	<ul style="list-style-type: none"> <li>This is called <i>etching</i> and is permanent. To prevent this from happening, use less detergent if you have soft water. Wash glassware in the shortest cycle that will get them clean. Recalibrate the SmartDispense™ system if you are using it. See pages 9 and 11.</li> <li>This could be etching. Lower the water heater temperature.</li> </ul>
<b>Suds in the tub</b>	Correct detergent wasn't used    Rinse agent was spilled	<ul style="list-style-type: none"> <li>Use only automatic dishwasher detergents to avoid sudsing. <b>Cascade</b>® and <b>Electrasol</b>® Automatic Dishwashing Detergents have been approved for use in all GE dishwashers.</li> <li>To remove suds from the tub, open the dishwasher and let suds dissipate. Close and latch the dishwasher door. Pump out water by touching the <b>START/RESET</b> pad once; then 30 seconds later, touch the <b>START/RESET</b> pad again. Repeat if necessary.</li> <li>Always wipe up rinse agent spills immediately.</li> </ul>
<b>Detergent left in dispenser cups or on door</b>	Dishes are blocking the detergent cup or SmartDispense™ outlet	<ul style="list-style-type: none"> <li>Reposition the dishes, so the water from the lower spray arm can flush the detergent cup or outlet from the SmartDispense™ system. See pages 13 and 14.</li> </ul>
<b>Black or gray marks on dishes</b>	Aluminum utensils have rubbed against dishes	<ul style="list-style-type: none"> <li>Remove marks with a mild, abrasive cleaner.</li> </ul>
<b>Dishes don't dry</b>	Low inlet water temperature  Rinse agent dispenser is empty	<ul style="list-style-type: none"> <li>Make sure inlet water temperature is at least 120°F.</li> <li>Select <b>HEATED DRY</b>.</li> <li>Use <b>PRE WASH</b> or <b>ADDED HEAT</b> options.</li> <li>Select a higher cycle, such as <b>ANTI-BACTERIA</b> or <b>COOKWARE</b>.</li> <li>Check the rinse agent dispenser and fill as required.</li> </ul>
<b>Control panel responded to inputs but dishwasher never filled with water</b>	Door latch may not be properly seated  Water valve may be turned off	<ul style="list-style-type: none"> <li>Make sure the door is firmly closed.</li> <li>Make sure water valve (usually located under the sink) is turned on.</li> </ul>
<b>Stained tub interior</b>	Some tomato-based foods can cause reddish stains  Tea or coffee stains	<ul style="list-style-type: none"> <li>Use of the <b>RINSE ONLY</b> cycle after adding the dish to the load can decrease the level of staining. GE recommends <b>Cascade</b>® <b>Plastic Booster</b> to help remove these types of stains.</li> <li>Remove the stain by hand, using a solution of 1/2 cup bleach and 3 cups warm water.</li> </ul> <p><b>▲ WARNING</b> Before cleaning interior, wait at least 20 minutes after a cycle for the heating elements to cool down. Failure to do so can result in burns.</p>
	An overall yellow or brown film can be caused by iron deposits in water  White film on inside surface—hard water minerals	<ul style="list-style-type: none"> <li>A special filter in the water supply line is the only way to correct this problem. Contact a water softener company.</li> <li>GE recommends <b>Jet-Dry</b>® or <b>Cascade Crystal Clear</b>® to help prevent hard water mineral deposits from forming.</li> <li>Run dishwasher with citric acid to remove mineral deposits. Citric acid (Part number: WD35X151) can be ordered through GE Parts. See back cover for ordering information.</li> </ul>

## Before you call for service...



### Troubleshooting Tips

Problem	Possible Causes	What To Do
<b>Dishwasher won't run</b>	Fuse is blown or circuit breaker is tripped	<ul style="list-style-type: none"> <li>Replace fuse or reset circuit breaker. Remove any other appliances from the circuit.</li> </ul>
	Power is turned off	<ul style="list-style-type: none"> <li>In some installations, the power to the dishwasher is provided through a wall switch, often located next to the disposer switch. Make sure it is on.</li> </ul>
	Control panel is locked	<ul style="list-style-type: none"> <li>Unlock control panel. See page 6.</li> </ul>
	Control panel needs to be rebooted	<ul style="list-style-type: none"> <li>Turn off power to the dishwasher (circuit breaker or wall switch) for 30 seconds; then turn back on.</li> </ul>
<b>Control panel lights go off when you're setting controls</b>	Time too long between touching of selected pads	<ul style="list-style-type: none"> <li>Each pad must be touched within 5 minutes of the others. To relight, touch any pad again, or unlock and relatch door.</li> </ul>
<b>Water standing in the bottom of the tub</b>	This is normal	<ul style="list-style-type: none"> <li>A small amount of clean water around the outlet on the tub bottom at the back of the tub keeps the pump seal lubricated.</li> </ul>
<b>Water won't pump out of the tub</b>	Drain is clogged	<ul style="list-style-type: none"> <li>If you have an air gap, clean it. See page 15.</li> <li>If the dishwasher drains into a disposer, run disposer clear.</li> <li>Check to see if your kitchen sink is draining well. If not, you may need a plumber.</li> </ul>
	Steam	This is normal
<b>Sanitized light does not illuminate at the end of the cycle (Anti-Bacteria cycle only)</b>	The door was opened and the cycle was interrupted during or after the main wash portion	<ul style="list-style-type: none"> <li>Do not interrupt the cycle anytime during or after main wash.</li> </ul>
	The incoming water temperature was too low	<ul style="list-style-type: none"> <li>Raise the water heater temperature to between 120°F and 140°F.</li> </ul>
<b>Noise</b>	Normal operating sounds	<ul style="list-style-type: none"> <li>These are all normal. No action is required.</li> </ul>
	Detergent cup opening	
	Water entering dishwasher	
	The motor stops and starts at various times during the cycle	
	Drain pump sounds during pump out	
<b>Drying fan running for 2-4 hours after CLEAN light is illuminated (Top Control Panel models only)</b>	Drying fan running for 2-4 hours after CLEAN light is illuminated (Top Control Panel models only)	
	Rattling dishes when the spray arm rotates	<ul style="list-style-type: none"> <li>Make sure dishes are properly loaded. See the <i>Loading the dishwasher racks</i> section.</li> </ul>

## GE Service Protection Plus™

GE, a name recognized worldwide for quality and dependability, offers you Service Protection Plus™—comprehensive protection on all your appliances—**No Matter What Brand!**

**Benefits Include:**

- Backed by GE
- All brands covered
- Unlimited service calls
- All parts and labor costs included
- No out-of-pocket expenses
- No hidden deductibles
- One 800 number to call

***We'll Cover Any  
Appliance. Anywhere.  
Anytime.\****

You will be completely satisfied with our service protection or you may request your money back on the remaining value of your contract. No questions asked. It's that simple.

Protect your refrigerator, dishwasher, washer and dryer, range, TV, VCR and much more—**any brand!** Plus there's no extra charge for emergency service and low monthly financing is available. Even icemaker coverage and food spoilage protection is offered. You can rest easy, knowing that all your valuable household products are protected against expensive repairs.

Place your confidence in GE and call us for more information in the U.S.  
toll-free at **800.626.2224** and in Canada, toll-free at **888.261.2133**.

\*All brands covered, up to 20 years old, in the continental U.S.



Please place in envelope and mail to:

***General Electric Company***  
**Warranty Registration Department**  
**P.O. Box 32150**  
**Louisville, KY 40232-2150**

# Consumer Product Ownership Registration

Dear Customer:

Thank you for purchasing our product and thank you for placing your confidence in us.

We are proud to have you as a customer!

Follow these three steps to protect your new appliance investment:

# 1

**Complete and mail your Consumer Product Ownership Registration today.** Have the peace of mind of knowing we can contact you in the unlikely event of a safety modification.

# 2

After mailing the registration below, store this document in a safe place. It contains information you will need should you require service. Our service number is 800.GE.CARES (800.432.2737) in the U.S. and 800.361.3400 in Canada.

# 3

Read your Owner's Manual carefully. It will help you operate your new appliance properly.

Model Number

Serial Number



**Important:** If you did not get a registration card with your product, detach and return the form below to ensure that your product is registered, or register online at [ge.com](http://ge.com). Canadian consumers, please use the mail-in card on page 19 in the French Language section.



# Consumer Product Ownership Registration



Model Number

Serial Number



Mr.  Ms.  Mrs.  Miss

First Name

Last Name

Street Address

Apt. #

E-mail Address\*

City

State

Zip Code

Date Placed In Use  
Month

Day

Year

Phone Number --

\* Please provide your e-mail address to receive, via e-mail, discounts, special offers and other important communications from GE Appliances (GEA).

Check here if you do not want to receive communications from GEA's carefully selected partners.

FAILURE TO COMPLETE AND RETURN THIS CARD DOES NOT DIMINISH YOUR WARRANTY RIGHTS.

For information about GEA's privacy and data usage policy, go to [ge.com](http://ge.com) and click on "Privacy Policy" or call 800.626.2224.



**GE Consumer & Industrial Appliances**  
General Electric Company  
Louisville, KY 40225  
[ge.com](http://ge.com)

**Notes.**

---

***Safety Instructions***

***Operating Instructions***

***Troubleshooting Tips***

***Consumer Support***

<b>Consumer Support</b>	<b>Troubleshooting Tips</b>	<b>Operating Instructions</b>	<b>Safety Instructions</b>
-------------------------	-----------------------------	-------------------------------	----------------------------

**Notes.**

---

# GE Dishwasher Warranty.



All warranty service provided by our Factory Service Centers, or an authorized Customer Care® technician. To schedule service, on-line, 24 hours a day, visit us at [ge.com](http://ge.com), or call 800.GE.CARES (800.432.2737) in the United States. In Canada, call 1.800.361.3400. Please have serial number and model number available when calling for service.

Staple your receipt here. Proof of the original purchase date is needed to obtain service under the warranty.

## For The Period Of: GE Will Replace:

<b>One Year</b> From the date of the original purchase	<b>Any part</b> of the dishwasher which fails due to a defect in materials or workmanship. During this <b>limited one-year warranty</b> , GE will also provide, <b>free of charge</b> , all labor and in-home service to replace the defective part.
<b>Five Years</b> From the date of the original purchase	<b>The dishwasher racks and the electronic control module</b> if they should fail due to a defect in materials or workmanship. During this <b>five-year limited warranty</b> , you will be responsible for any labor or in-home service costs.
<b>Lifetime of Product</b>	<b>The Stainless tub or door liner</b> , if it fails to contain water due to a defect in materials or workmanship. During this <b>limited warranty</b> , GE will also provide, <b>free of charge</b> , all labor and in-home service to replace the defective part.

## What GE Will Not Cover (for customers in the United States):

- Service trips to your home to teach you how to use the product.
- Improper installation, delivery or maintenance.
- Failure of the product if it is abused, misused, or used for other than the intended purpose or used commercially.
- Replacement of house fuses or resetting of circuit breakers.
- Product not accessible to provide required service.
- Damage to the product caused by accident, fire, floods or acts of God.
- Incidental or consequential damage caused by possible defects with this appliance.
- Cleaning or servicing of the air gap device in the drain line.
- Damage caused after delivery, including damage from items dropped on the door.

**EXCLUSION OF IMPLIED WARRANTIES—Your sole and exclusive remedy is product repair as provided in this Limited Warranty. Any implied warranties, including the implied warranties of merchantability or fitness for a particular purpose, are limited to one year or the shortest period allowed by law.**

This warranty is extended to the original purchaser and any succeeding owner for products purchased for home use within the USA. If the product is located in an area where service by a GE Authorized Servicer is not available, you may be responsible for a trip charge or you may be required to bring the product to an Authorized GE Service location for service. Proof of original purchase date is needed to obtain service under the warranty. In Alaska, the warranty excludes the cost of shipping or service calls to your home.

Some states do not allow the exclusion or limitation of incidental or consequential damages. This warranty gives you specific legal rights, and you may also have other rights which vary from state to state. To know what your legal rights are, consult your local or state consumer affairs office or your state's Attorney General.

**Warrantor: General Electric Company, Louisville, KY 40225**

## What Is Not Covered (for customers in Canada):

- Service trips to your home to teach you how to use the product.
- Improper installation.  
If you have an installation problem, contact your dealer or installer. You are responsible for providing adequate electrical, exhausting and other connecting facilities.
- Failure of the product if it is abused, misused, or used for other than the intended purpose or used commercially.
- Replacement of house fuses or resetting of circuit breakers.
- Damage to the product caused by accident, fire, floods or acts of God.
- Damage caused after delivery.

**EXCLUSION OF IMPLIED WARRANTIES—Your sole and exclusive remedy is product repair as provided in this Limited Warranty. Any implied warranties, including the implied warranties of merchantability or fitness for a particular purpose, are limited to one year or the shortest period allowed by law.**

This warranty is extended to the original purchaser and any succeeding owner for products purchased for home use within Canada. In home warranty service will be provided in areas where it is available and deemed reasonable by Mabe to provide.

WARRANTOR IS NOT RESPONSIBLE FOR CONSEQUENTIAL DAMAGES.

Warrantor: MABE CANADA INC.

## Consumer Support.

---



### GE Appliances Website

In the U.S.: **ge.com**

Have a question or need assistance with your appliance? Try the GE Appliances Website 24 hours a day, any day of the year! For greater convenience and faster service, you can now download Owner's Manuals, order parts or even schedule service on-line. **In Canada: [www.geappliances.ca](http://www.geappliances.ca)**



### Schedule Service

In the U.S.: **ge.com**

Expert GE repair service is only one step away from your door. Get on-line and schedule your service at your convenience 24 hours any day of the year! Or call 800.GE.CARES (800.432.2737) during normal business hours.

**In Canada, call 1.800.361.3400**



### Real Life Design Studio

In the U.S.: **ge.com**

GE supports the Universal Design concept—products, services and environments that can be used by people of all ages, sizes and capabilities. We recognize the need to design for a wide range of physical and mental abilities and impairments. For details of GE's Universal Design applications, including kitchen design ideas for people with disabilities, check out our Website today. For the hearing impaired, please call 800.TDD.GEAC (800.833.4322).

**In Canada, contact:** Manager, Consumer Relations, Mabe Canada Inc.  
Suite 310, 1 Factory Lane  
Moncton, N.B. E1C 9M3



### Extended Warranties

In the U.S.: **ge.com**

Purchase a GE extended warranty and learn about special discounts that are available while your warranty is still in effect. You can purchase it on-line anytime, or call 800.626.2224 during normal business hours. GE Consumer Home Services will still be there after your warranty expires. **In Canada, call 1.888.261.2133**



### Parts and Accessories

In the U.S.: **ge.com**

Individuals qualified to service their own appliances can have parts or accessories sent directly to their homes (VISA, MasterCard and Discover cards are accepted). Order on-line today, 24 hours every day or by phone at 800.626.2002 during normal business hours.

**Instructions contained in this manual cover procedures to be performed by any user. Other servicing generally should be referred to qualified service personnel. Caution must be exercised, since improper servicing may cause unsafe operation.**

Customers **in Canada** should consult the yellow pages for the nearest Mabe service center.



### Contact Us

In the U.S.: **ge.com**

If you are not satisfied with the service you receive from GE, contact us on our Website with all the details including your phone number, or write to:

General Manager, Customer Relations  
GE Appliances, Appliance Park  
Louisville, KY 40225

**In Canada: [www.geappliances.ca](http://www.geappliances.ca)**, or write to: Director, Consumer Relations, Mabe Canada Inc.  
Suite 310, 1 Factory Lane  
Moncton, N.B. E1C 9M3



### Register Your Appliance

In the U.S.: **ge.com**

**Register your new appliance on-line—at your convenience!** Timely product registration will allow for enhanced communication and prompt service under the terms of your warranty, should the need arise. You may also mail in the pre-printed registration card included in the packing material. **In Canada: [www.geappliances.ca](http://www.geappliances.ca)**





# GE Profile<sup>MD</sup> Lave-vaisselle

**Instructions de sécurité** ..... 2, 3

**Instructions de fonctionnement**

Chargement des couverts ..... 14

Chargement des paniers ..... 12-14

Panneau de contrôle  
et réglages ..... 4-7

Soins et nettoyage ..... 15

Utilisation du lave-vaisselle ..... 8-11

Voyants clignotant ..... 7

**Conseils de dépannage** ... 16-18

**Soutien au consommateur**

Garantie ..... 23

Inscription du produit ..... 19, 20

Soutien au consommateur ..... 24

**Manuel du  
propriétaire**

Séries PDW8000

Séries PDW9000

**Inscrire le modèle et le numéro  
de série ici :**

**Modèle #** \_\_\_\_\_

**Série #** \_\_\_\_\_

Vous les trouverez sur la paroi de la  
cuve juste à l'intérieur de la porte.



# INFORMATION IMPORTANTE SUR LA SÉCURITÉ.

## LISEZ TOUTES LES INSTRUCTIONS AVANT L'UTILISATION —

### CONSERVEZ CES INSTRUCTIONS

#### ⚠ AVERTISSEMENT !

Pour votre sécurité, les instructions de ce manuel doivent être suivies pour réduire le risque d'incendie ou d'explosion, d'électrocution et pour éviter les dommages à la propriété, les blessures ou la mort.



#### ⚠ AVERTISSEMENT ! SÉCURITÉ DU CHAUFFE-EAU

Dans certaines conditions, de l'hydrogène peut être présent dans un chauffe-eau qui n'a pas été utilisé pendant deux semaines ou davantage. **L'HYDROGÈNE EST UN GAZ EXPLOSIF.**

Si l'eau chaude n'a pas été utilisée pendant deux semaines ou plus, réduisez les risques de dommages ou de blessure en ouvrant tous les robinets d'eau chaude pendant plusieurs minutes. Faites cela avant d'utiliser tout appareil électrique raccordé à la canalisation d'eau chaude. Cette précaution permettra à toute accumulation d'hydrogène de se dissiper. Étant donné que ce gaz est inflammable, ne fumez pas et n'utilisez pas de flamme ou d'appareil pendant ce processus.



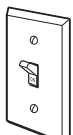
#### CONFORMITÉ DE L'INSTALLATION ET ENTRETIEN

Ce lave-vaisselle doit être correctement installé et placé en conformité avec les instructions d'installation avant d'être utilisé. Si vous n'avez pas reçu les instructions d'installation avec ce lave-vaisselle, vous pouvez vous en procurer en allant sur notre site web à [ge.com](http://ge.com).

- Raccordez l'appareil à un système électrique permanent et mis à la terre ou installez un fil de mise à la terre des appareils avec les fils d'alimentation et raccordez-le à la borne ou au fil de mise à la terre de l'appareil.
  - Un mauvais raccordement au fil de mise à la terre peut causer un risque de choc électrique. Consultez un électricien compétent ou un agent du service si vous ne savez pas si l'appareil est correctement mis à la terre.
  - Disposez des appareils électriques hors service et des matériaux d'emballage ou d'expédition correctement.
  - Ne tentez pas de réparer ou de remplacer une pièce de ce lave-vaisselle à moins que cela soit spécifiquement recommandé dans ce manuel. Tout autre entretien ou réparation devrait être confié à un technicien compétent.
  - Pour minimiser la possibilité d'électrocution, débranchez l'appareil du circuit d'alimentation avant tout entretien.
- REMARQUE :** l'arrêt du lave-vaisselle ne débranche pas l'appareil de l'alimentation électrique. Nous recommandons qu'un technicien compétent répare votre appareil



#### ⚠ MISE EN GARDE : pour éviter les blessures mineures ou les dommages matériels

- Les articles lavés avec le mode anti-bactérien, s'il y a lieu, peuvent être chauds au toucher. À manipuler avec précaution.
- L'utilisation d'un détergent qui n'est pas conçu spécifiquement pour le lave-vaisselle remplira celui-ci de mousse.  = 
- Si le lave-vaisselle est raccordé à un interrupteur mural, assurez-vous que celui-ci est activé avant d'utiliser cet appareil. 
- Sur les lave-vaisselle dotés de commandes électroniques et si vous préférez fermer l'interrupteur mural entre les cycles de lavage, attendez de 5 à 10 secondes après avoir remis l'interrupteur avant de toucher au bouton START/RESET pour permettre à la commande de se réinitialiser.
- Articles autres que la vaisselle : ne lavez pas des articles comme les filtres de purificateur d'air, filtres de chaudières ou pinceaux dans le lave-vaisselle. Le lave-vaisselle pourrait être endommagé et une décoloration ou des taches pourraient en résulter.
- Une surveillance attentive est nécessaire si cet appareil est utilisé par ou près des enfants.
- Chargez les articles légers en plastique de manière à ce qu'ils ne se déplacent pas et ne tombent pas au fond; ils pourraient être en contact avec l'élément de chauffage et être endommagés.

## ⚠ AVERTISSEMENT ! RISQUE D'ENFANT PRIS AU PIÈGE BONNE DISPOSITION DE VOTRE LAVE-VAISSELLE

Les lave-vaisselle jetés ou abandonnés sont dangereux...même si vous ne les laissez jetés que quelques jours. Si vous voulez jeter votre vieux lave-vaisselle, suivez les instructions pour empêcher les accidents.

### Avant de jeter votre vieux lave-vaisselle

Enlevez la porte du compartiment de lavage ou enlevez le verrou de la porte (comme le montre l'illustration).

**NOTE :** Les modèles des séries PDW9200-PDW9900 ont aussi une vis de verrou que vous devez enlever (étape 1) comme l'indique la figure.



## ⚠ AVERTISSEMENT ! Lors du fonctionnement, suivez les précautions de base dont celles-ci :



- N'utilisez cet appareil que pour l'objectif pour lequel il a été conçu tel que décrit dans le Guide de l'utilisateur.
- N'utilisez que les détergents et agents de rinçage liquides, en poudre ou en tablette, recommandés pour les lave-vaisselle et gardez-les hors de la portée des enfants. Les détergents pour lave-vaisselle **Cascade®**, **Cascade® Complete** et **Electrasol®** et les agents de rinçage **Jet-Dry®** et **Cascade Crystal Clear®** sont approuvés avec les lave-vaisselle GE.
- Prenez soin de ne pas mélanger un détergent à base de javellisant avec un autre à base d'enzyme, cela pourrait faire figer les détergents, ce qui aura pour effet d'obturer le distributeur SmartDispense<sup>MD</sup>.
- Placez les articles coupants de manière à ce qu'ils n'abîment pas le sceau de la porte.
- Placez les couteaux avec le manche vers le haut pour réduire les risques de coupures.
- Ne lavez pas les articles de plastique à moins qu'ils n'aillent au lave-vaisselle ou l'équivalent. Si les articles de plastique ne sont pas marqués en ce sens, voyez les recommandations du fabricant.
- Ne touchez pas à l'élément chauffant pendant ou immédiatement après l'utilisation.
- Ne faites pas fonctionner le lave-vaisselle si les panneaux de l'habitable ne sont pas installés.
- N'altérez pas les commandes.
- Ne maltraitez pas, ne vous assoyez pas et ne montez pas sur la porte ou sur le plateau de vaisselle.
- Ne laissez pas les enfants jouer autour du lave-vaisselle lorsque vous ouvrez et fermez la porte pour éviter que leurs petits doigts ne se coincent dans la porte.
- Ne jetez pas un lave-vaisselle sans d'abord enlever la porte du compartiment de lavage ou le verrou de la porte.
- N'entreposez pas et n'utilisez pas de produits combustibles, de l'essence ou des vapeurs ou liquides inflammables près de cet appareil ou de tout autre appareil.
- Ne laissez pas les enfants s'amuser avec ou dans cet appareil ou de tout appareil mis au rebut.



LISEZ ET RESPECTEZ CES CONSIGNES DE SÉCURITÉ.  
CONSERVEZ CES INSTRUCTIONS

# Le panneau de contrôle du lave-vaisselle.

Vous pouvez trouver votre numéro de modèle sur la paroi de la cuve, juste à l'intérieur de la porte. Dans ce manuel, les caractéristiques et l'apparence peuvent varier selon le modèle.

Séries PDW8100-PDW8900



Séries PDW9200-PDW9900



## Réglage des contrôles

### 1 Voyants lumineux d'état (les voyants peuvent varier selon le modèle)

Les voyants lumineux vous indiquent ce qui se passe pendant le fonctionnement du lave-vaisselle automatique. Ils peuvent clignoter si le lave-vaisselle fonctionne mal. Les voyants indiquent **ON (marche)** pour donner la séquence de fonctionnement du lave-vaisselle.

<b>LOW DETERGENT (détergent bas)</b>	Apparaît quand vous devez remplir le SmartDispense <sup>MD</sup> de détergent liquide ou gel pour lave-vaisselle automatique.  <b>NOTE :</b> si vous n'utilisez pas la fonction SmartDispense <sup>MD</sup> et que vous désirez éteindre le voyant lumineux <b>LOW DETERGENT (détergent bas)</b> , appuyez à 5 reprises sur la touche <b>ADDED HEAT (chaleur +)</b> en moins de 3 secondes. Trois bips sonores seront émis et le voyant lumineux s'éteindra. Pour réactiver le voyant, appuyez simplement à 5 reprises sur la touche <b>ADDED HEAT (chaleur +)</b> en moins de 3 secondes.
<b>SENSING (senseur)</b>	Apparaît quand le Clean Sensor <sup>MD</sup> mesure le montant de saleté et la température de l'eau. Le lave-vaisselle ajuste le cycle choisi pour obtenir le rendement optimal.
<b>ADD-A-DISH (ajoutez une assiette)</b>	Apparaît pendant le prélavage pour indiquer que si vous ajoutez maintenant de la vaisselle, elle sera également lavée.
<b>WASHING (lavage)</b>	Apparaît pendant le prélavage, le lavage principal et le rinçage.
<b>RINSING (rinçage)</b>	Apparaît pendant le rinçage.
<b>DRYING (séchage)</b>	Apparaît pendant le <b>HEATED DRY (séchage chaud)</b> .
<b>SANITIZED (sanitisé)</b>	Apparaît quand le cycle a rempli les conditions d'aseptisation.
<b>CLEAN (propre)</b>	Apparaît quand un cycle de lavage est terminé.

### 2 Voyant de temps restant (sur certains modèles)

Pendant le fonctionnement, ce voyant indique le nombre de minutes qui restent pour terminer le cycle. Ce voyant peut ajuster le temps restant quand les lumières du senseur sont allumées. Le temps indiqué au début de chaque cycle peut changer par rapport au réglage en usine, car votre appareil s'ajuste à votre utilisation personnelle. Pendant la mise en marche retardée, ce voyant indique le nombre d'heures qui restent avant le début du cycle.

### 3 Choix

Séries PDW8000 : Appuyez sur la bonne touche pour obtenir le cycle de lavage désiré.

Séries PDW9000 : Utilisez les touches de flèche   pour faire défiler les cycles de lavage.

**REMARQUE** : toute l'information sur les durées de cycle et l'utilisation d'eau dans cette section ne sont que des valeurs approximatives. Les résultats actuels dépendent de différents facteurs, y compris, mais sans s'y limiter, la température d'entrée, la pression d'eau résidentielle et le niveau de salissure dans l'eau de lavage.

La lumière au-dessus ou à côté de la touche choisie indique **ON (marche)** pour donner le **CYCLE DE LAVAGE** choisi.

<b>ANTI-BACTERIA (anti-bactérie)</b>	<b>Maximum</b> 8,8 gal., 105 min. <b>Medium</b> 7,5 gal., 95 min. <b>Minimum</b> 6,3 gal., 85 min.
	Ce cycle augmente la température de l'eau dans le rinçage final pour aseptiser votre lave-vaisselle. La durée du cycle dépend de la température de l'eau qui alimente votre lave-vaisselle.
	<b>NOTE</b> : le cycle bactéricide est vérifié pour obtenir une bonne aseptisation. Si le cycle est interrompu pendant ou après le lavage principal ou si la température d'alimentation d'eau est trop basse pour obtenir une température d'eau suffisante, les conditions d'aseptisation peuvent ne pas exister pleinement. En conséquence, le voyant d'aseptisation ne s'allume pas à la fin du cycle.
	<b>NOTE</b> : les lave-vaisselle résidentiels certifiés par le NSF ne sont pas conçus pour les établissements ayant un permis de vente d'aliments.
<b>COOKWARE (POTS &amp; PANS) (casseroles)</b>	<b>Maximum</b> 10,0 gal., 80 min. <b>Medium</b> 8,8 gal., 70 min. <b>Minimum</b> 7,5 gal., 60 min.
	Ce cycle est conçu pour la vaisselle ou les casseroles très sales ou les casseroles contenant des aliments séchés ou cuits. Ce cycle peut ne pas réussir à nettoyer les aliments brûlés. Ce cycle convient à la vaisselle ordinaire.
<b>NORMAL WASH (lavage normal)</b>	<b>Maximum</b> 8,8 gal., 70 min. <b>Medium</b> 7,5 gal., 60 min. <b>Minimum</b> 5,0 gal., 50 min.
	Ce cycle est conçu pour les assiettes et les verres moyennement/extrêmement sales.
<b>SPEED CYCLE (cycle rapide)</b> (sur certains modèles)	7,5 gal., 35 min. Ce cycle est conçu pour les assiettes et les verres ordinaires.
<b>CHINA CRYSTAL (porcelaine cristal)</b>	7,5 gal., 35 min. Ce cycle est conçu pour la porcelaine et les cristaux légèrement sales.
<b>GLASSES (verres)</b> (sur certains modèles)	7,5 gal., 30 min. Ce cycle est spécifiquement conçu pour la verrerie.
<b>PLASTICS CYCLE (matières plastiques)</b> (sur certains modèles)	<b>Maximum</b> 8,8 gal., 120 min. <b>Medium</b> 7,5 gal., 105 min. <b>Minimum</b> 5,0 gal., 90 min.
	La durée plus longue de ce cycle comprend une partie intégrée de séchage qui est conçu pour réduire le risque de faire fondre les articles en matière plastique et pour améliorer leur séchage. Pour enlever les taches rouges occasionnées par les produits à base de tomates, GE recommande l'utilisation de Cascade® Plastic Booster <sup>MD</sup> .
<b>SINGLE RACK WASH (Lavage une clayette)</b> (sur certains modèles)	<b>Maximum</b> 8,2 gal., 70 min. <b>Medium</b> 7,0 gal., 60 min. <b>Minimum</b> 4,6 gal., 50 min.
	Ce cycle lave les assiettes légèrement sales sur la <b>clayette du haut uniquement</b> .
<b>RINSE ONLY (rinçage seulement)</b>	2,5 gal., 10 min. Ce cycle est conçu pour rincer des charges partielles qui seront lavées plus tard. N'utilisez pas de détergent pour ce cycle.

**NOTE** : sur le modèle des séries PDW8000, la touche **CHINA CRYSTAL/PLASTICS (PORCELAINE CRISTAL/PLASTIQUE)** est alternative. Appuyez sur la touche pour alterner entre **CHINA CRYSTAL (PORCELAINE CRISTAL)** et **PLASTICS (PLASTIQUE)**.

**NOTE** : ce lave-vaisselle est équipé de Clean Sensor<sup>MD</sup> doté d'un contrôle automatique de la température. Aussi, la durée du cycle peut varier selon le degré de saleté et de température de l'eau.

**NOTE** : seul, le cycle anti-bactérie est conçu pour remplir les exigences de l'article 6, NSF 184, relatif à l'efficacité de lavage et d'aseptisation.

# Le panneau de contrôle du lave-vaisselle.

## 4 Options

La lumière située au-dessus de la touche choisie s'allume pour indiquer le **OPTION** choisi.

<b>DELAY HOURS</b> (mise en marche retardée)	<p>Vous pouvez retarder la mise en marche du cycle de lavage jusqu'à 24 heures (selon le modèle). Appuyez sur la touche <b>DELAY START (mise en marche retardée)</b> pour choisir dans combien d'heures vous voulez mettre en marche votre lave-vaisselle, puis appuyez sur la touche <b>START/RESET (mise en marche/remise à zéro)</b>.</p> <p><b>Séries PDW8000</b> : Votre lave-vaisselle compte le délai désiré et commence automatiquement à l'heure choisie.</p> <p><b>Séries PDW9000</b> : Après que vous ayez fermé sa porte, votre lave-vaisselle compte le délai désiré et commence automatiquement à l'heure choisie.</p> <p><b>NOTE</b> : Pour annuler la mise en marche retardée avant le début du cycle, appuyez à plusieurs reprises sur la touche <b>DELAY START (mise en marche retardée)</b> jusqu'à ce que l'écran n'indique plus rien.</p>
<b>ADDED HEAT</b> (EXTRA HOT WASH) (chaleur +) (lavage ultra-chaud)	<p>Cette option est conçu pour faire fonctionner plus longtemps l'élément de chauffage, afin d'améliorer le rendement du lavage et du séchage.</p> <p><b>NOTE</b> : vous ne pouvez pas choisir ce complément avec le cycle <b>RINSE ONLY (rinçage seulement)</b>.</p>
<b>PRE WASH</b> (prélavage) (sur certains modèles)	<p>Cette option est conçu pour la vaisselle très sale ou qui a des aliments cuits. Vous <b>DEVEZ</b> choisir cette option <b>AVANT</b> de commencer le cycle. Cette option ajoute 15 minutes au cycle.</p> <p><b>NOTE</b> : vous ne pouvez pas choisir cette option avec le cycle <b>RINSE ONLY (rinçage seulement)</b>.</p>
<b>HEATED DRY</b> (séchage chaud) (lumière éteinte)	<p>Cette option éteint l'option de séchage chaud. L'air sèche la vaisselle sans chaleur (Série PDW8900) ou sèche à l'aide d'un ventilateur (Séries PDW9200-PDW9900) pour économiser l'énergie.</p>
<b>HEATED DRY</b> (séchage chaud) (lumière allumée)	<p>Cette option met en marche le chauffage pour sécher rapidement. Cela allonge le cycle total de 15 minutes pour le cycle <b>ANTI-BACTERIAL (anti-bactérie)</b>, de 38 minutes pour les cycles <b>NORMAL</b>, <b>SINGLE RACK WASH (lavage une clayette)</b> et <b>COOKWARE</b>, de 8 minutes pour le cycle <b>SPEED (rapide)</b>, de 15 minutes pour le cycle des <b>PLASTICS (matières plastiques)</b> et de 30 minutes pour tous les autres cycles.</p> <p><b>NOTE</b> : Vous ne pouvez pas choisir cette option avec le cycle <b>RINSE ONLY (rinçage seulement)</b>.</p>
<b>LOCK</b> (verrouillage) 	<p>Vous pouvez verrouiller les contrôles pour éviter toute sélection. Ou bien, vous pouvez verrouiller les contrôles après avoir choisi un cycle.</p> <p><b>Les enfants ne peuvent pas mettre en marche accidentellement votre lave-vaisselle si vous avez choisi cette option.</b></p> <p>Pour déverrouiller les contrôles de votre lave-vaisselle, appuyez sur la touche <b>HEATED DRY (séchage chaud)</b> et maintenez-la appuyée pendant 3 secondes. Le voyant situé au-dessus de la touche <b>LOCK (verrouillage)</b> s'éteindra. Pour verrouiller votre lave-vaisselle, appuyez sur la touche <b>HEATED DRY (séchage chaud)</b> pendant 3 secondes. La lumière située au-dessus de la touche <b>LOCK (verrouillage)</b> s'allumera (ON).</p>
<b>RESET</b> (remise à zéro)	<p>Pour changer de cycle après le début du lavage.</p> <p><b>Séries PDW8000</b> : Appuyez sur la touche <b>START/RESET (mise en marche/remise à zéro)</b> pour annuler le cycle. La lumière <b>START/RESET (mise en marche/remise à zéro)</b> clignote pendant que l'eau est pompée en dehors de votre lave-vaisselle si nécessaire. Cela prend environ 2 minutes.</p> <p><b>Séries PDW9000</b> : Ouvrez lentement la porte pour éviter les éclaboussures. Appuyez sur la touche <b>START/RESET (mise en marche/remise à zéro)</b> pour annuler le cycle. Si la lumière <b>START/RESET (mise en marche/remise à zéro)</b> clignote, fermez la porte jusqu'à ce que l'eau soit pompée en dehors de votre lave-vaisselle (cela prend environ 2 minutes) et la lumière cesse de clignoter. Quand la lumière cesse de clignoter, vous pouvez reprogrammer votre lave-vaisselle et le remettre en marche.</p>

## 5 Mise en marche

### Séries PDW8000

Fermez et verrouillez la porte de votre lave-vaisselle et choisissez le cycle et les compléments désirés. Appuyez sur la touche **START/RESET (mise en marche/remise à zéro)** pour commencer le cycle. L'eau commence immédiatement à remplir votre lave-vaisselle et, environ 60 secondes plus tard, le lavage commence.

Quand la porte du lave-vaisselle est bien fermée et verrouillée, les lumières du panneau de contrôle indiquent les derniers réglages choisis. Si vous ne voulez rien changer à ces réglages, appuyez simplement sur la touche **START/RESET (mise en marche/remise à zéro)** pour commencer le cycle.

Quand la porte est fermée, les voyants lumineux s'éteignent si vous ne choisissez pas la touche **START/RESET (mise en marche/remise à zéro)** en 5 minutes. Pour remettre en marche les voyants, ouvrez et fermez la porte ou appuyez sur n'importe quelle touche.

### Séries PDW9000

Après avoir choisi le cycle et les options désirées, appuyez sur la touche **START/RESET (mise en marche/remise à zéro)** pour préparer votre lave-vaisselle à commencer son cycle. Fermez la porte pour commencer le cycle ou commencer le compte de temps du **DELAY START (mise en marche retardée)**. Quand le cycle commence, l'eau commence à remplir votre lave-vaisselle et, environ 60 secondes plus tard, le lavage commence.

Votre lave-vaisselle indique toujours votre dernier choix de cycle et d'options. Si vous ne voulez rien changer à ces réglages, appuyez simplement sur la touche **START/RESET (mise en marche/remise à zéro)** pour préparer votre lave-vaisselle et fermez la porte pour commencer le cycle.

Également, s'il se produit une panne de courant, les cycles **NORMAL** et **HEATED DRY (séchage chaud)** sont automatiquement programmés. Choisissez un nouveau réglage et appuyez sur la touche **START/RESET (mise en marche/remise à zéro)** pour commencer un nouveau cycle.

Quand la porte est ouverte, les voyants indicateurs s'éteignent si la touche **START/RESET (mise en marche/remise à zéro)** n'est pas choisie dans les 5 minutes. Pour mettre en marche l'écran, ouvrez et fermez la porte ou appuyez sur une touche.

## 6 Propre

### Séries PDW8000

Le voyant **CLEAN (propre)** s'allume quand le cycle et les options choisies sont terminés. Le voyant reste **ALLUMÉ** jusqu'à ce qu'une touche soit pressée ou que la porte soit ouverte et puis fermée.

### Séries PDW9200-PDW9900

Le voyant **CLEAN (propre)** s'allume et un double bip résonne quand le cycle et les options choisies sont terminés. Vous pouvez enlever votre vaisselle n'importe quand. Le ventilateur à haut rendement continue à fonctionner doucement de 30 minutes à 4 heures (selon le cycle choisi) après que le voyant **CLEAN (propre)** se soit allumé, pour continuer à sécher la vaisselle. Vous pouvez éteindre le ventilateur en ouvrant la porte et en appuyant sur n'importe quelle touche.

**TOUS LES MODÈLES** : pour éteindre le signal sonore de fin de cycle (ou le réactiver si vous l'avez éteint auparavant), appuyez sur la touche **HEATED DRY (séchage chaud)** 5 fois au cours de 3 secondes. Un triple bip résonne pour indiquer que l'option sonore à la fin du cycle a été activée.

## Voyants lumineux qui clignotent.

Voyants indicateurs d'état	Ce que cela signifie
<b>START/RESET (mise en marche/remise à zéro)</b>	Vous avez interrompu le cycle en appuyant sur la touche <b>START/RESET (mise en marche/remise à zéro)</b> ou une panne de courant est survenue. Le voyant s'arrête de clignoter après que votre lave-vaisselle se soit vidé de toute son eau. Dans le cas d'une panne de courant, le lave-vaisselle se remettra en marche.

## Produits de lavage de vaisselle recommandés.

GE recommande les produits suivants pour ses lave-vaisselle :

- Pour votre distributeur manuel de détergent, les détergents de lave-vaisselle automatique **Cascade®** et **Electrasol®** en poudre, liquide ou en gel sont recommandés.
- Pour votre distributeur de détergent SmartDispense<sup>MD</sup>, utilisez seulement les détergents recommandés dont la liste se trouve à la page 10 de ce manuel.
- Les agents de rinçage **Jet Dry®** ou **Cascade Crystal Clear®** pour enlever les taches et empêcher une nouvelle pellicule de se constituer sur vos assiettes, vos verres, votre argenterie, vos casseroles et vos instruments en matière plastique. L'utilisation d'un agent de rinçage améliore également le séchage.
- **Cascade® Plastic Booster<sup>MD</sup>** pour enlever à l'intérieur de votre lave-vaisselle les taches rouges laissées par certains aliments à base de tomate.
- **Cerama Bryte®** nettoyeur pour appareil électroménager en acier inoxydable pour nettoyer le panneau extérieur en acier inoxydable des lave-vaisselle GE et Profile<sup>MD</sup> (pour les modèles à panneau extérieur en acier inoxydable seulement).

## Utilisation du lave-vaisselle.



### Vérifiez la température de l'eau

L'alimentation d'eau doit être à au moins 120 °F et au plus à 150 °F pour bien laver et empêcher tout dommage à la vaisselle. Vérifiez la température de l'eau avec un thermomètre à pâtisserie ou à viande. Ouvrez le robinet d'eau chaude situé le plus près de votre lave-vaisselle, placez le thermomètre dans un verre et laissez l'eau couler dans le verre jusqu'à ce que la température s'arrête de monter.



### Utilisez un agent de rinçage Jet-Dry® ou Cascade Crystal Clear®

L'agent de rinçage **Jet-Dry®** ou **Cascade Crystal Clear®** améliore le séchage, enlève les taches et empêche la constitution d'une nouvelle pellicule sur vos assiettes, vos verres, votre argenterie, vos casseroles et vos matières plastiques.

#### Remplissage du distributeur

Le distributeur d'agent de rinçage contient 3,5 onces d'agent de rinçage. Normalement, cette quantité doit durer environ un mois. Essayez de conserver le distributeur plein, mais sans le faire déborder.

- 1 Assurez-vous que la porte de votre lave-vaisselle soit bien ouverte.
- 2 Tournez le bouchon du distributeur vers la gauche et soulevez-le.
- 3 Ajoutez l'agent de rinçage jusqu'à ce que la fenêtre indicatrice semble pleine.
- 4 Nettoyez tout agent de rinçage renversé à l'aide d'un linge humide.
- 5 Remettez en place le bouchon du distributeur.



#### Réglage de l'agent de rinçage

Vous pouvez régler le montant d'agent de rinçage libéré dans le lavage final. Le réglage d'usine est au milieu. Si vous avez des marques de calcium (eau riche en sels) sur les assiettes, essayez un réglage plus élevé. S'il y a de la mousse, essayez un réglage plus bas.

#### Ajuster le réglage :

Enlevez le bouchon du distributeur et tournez ensuite le réglage dans le sens contraire des aiguilles d'une montre pour augmenter le montant d'agent de rinçage ou dans le sens des aiguilles d'une montre pour réduire la quantité d'agent de rinçage distribué.



## Préparation de la vaisselle avant son chargement

- Vous n'avez pas besoin de pré-rincer les déchets alimentaires normaux.
- Grattez les déchets importants, les os, les cure-dents, les peaux et les graines.
- Enlevez toutes les quantités importantes de déchets alimentaires.
- Enlevez les légumes à feuille, les parures de viande et les montants excessifs de graisse ou d'huile.



## Distributeur manuel de détergent

Votre lave-vaisselle est équipé d'un distributeur automatique de détergent liquide pour lave-vaisselle (SmartDispense<sup>MD</sup>) et d'un distributeur manuel. Vous pouvez utiliser l'un de ces distributeurs, mais ne les utilisez jamais les deux en même temps.



Le couvercle du distributeur manuel s'ouvre pendant le cycle de lavage. Si vous utilisez SmartDispense<sup>MD</sup>, laissez ouvert le couvercle du distributeur manuel avant de commencer le cycle.

Pour le distributeur manuel, les détergents de lave-vaisselle automatique **Cascade**<sup>®</sup> et **Electrasol**<sup>®</sup> ont été recommandés. Ce distributeur convient à des détergents sous forme de poudre, liquide, gel ou pains. Il est important de ranger les détergents en poudre ou en pains dans un endroit frais et sec afin de conserver leur efficacité. Il est donc déconseillé de verser le détergent dans le distributeur manuel avant de laver la vaisselle.

### Remplissage du distributeur manuel de détergent

La quantité de détergent nécessaire pour votre vaisselle dépend de la *dureté* ou de la *douceur* de votre eau. Avec de l'eau dure, vous avez besoin de plus de détergent. Avec de l'eau douce, vous avez besoin de moins de détergent.

Protégez votre vaisselle et votre lave-vaisselle en contactant le service des eaux et en vous renseignant sur la dureté de votre eau. Douze grains et plus est une eau extrêmement dure. Il est recommandé d'utiliser un adoucisseur d'eau.

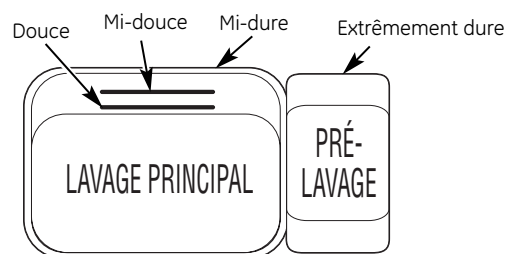
Si vous n'en utilisez pas, cela pourrait mener à une accumulation de chaux dans le robinet d'eau qui pourrait ensuite coller en position ouverte et provoquer une inondation. Trop de détergent avec une eau douce pourrait créer des voiles sur les verres, ce que l'on appelle une *gravure*.

Utilisez l'information du tableau suivant comme guide pour déterminer la quantité de détergent de lave-vaisselle automatique à mettre dans le distributeur. Vous pouvez utiliser les détergents de lave-vaisselle automatique en poudre, gel, liquide ou des pains.

Quand vous utilisez des pains de détergent pour lave-vaisselle automatique, placez simplement un pain de détergent dans la section principale de lavage et fermez le couvercle.

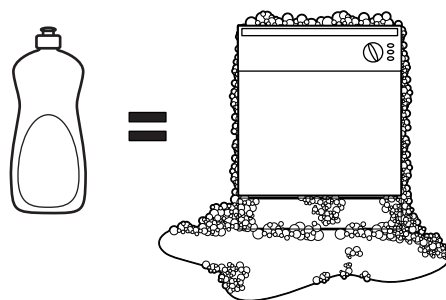
Nombre de grains	Tasses de détergent pour remplir
Moins de 4	Remplir la tasse jusqu'à la douce graduation (1/3 de tasse)
4 à 8	Remplir la tasse jusqu'à la graduation au milieu douce (2/3 de tasse)
8 à 12	Remplir la tasse jusqu'à la graduation au milieu dure (tasse entièrement remplie)
Plus de 12	Remplir la tasse de lavage principale et la tasse de prélavage

Pour des charges très souillées, utilisez un peu plus de détergent. Si la température de l'eau est supérieure à 140 °F (60 °C), utilisez un peu moins de détergent.



Pour les charges particulièrement sales, utilisez le cycle de chaudrons ou le cycle de lavage sale.

### N'UTILISEZ PAS DE DÉTERGENT DE LAVAGE À LA MAIN



**REMARQUE :** utiliser un détergent qui n'est pas spécifiquement conçu pour les lave-vaisselles remplira l'appareil de mousse. Pendant le nettoyage, cette mousse débordera des évents du lave-vaisselle, tombera sur le plancher de la cuisine qui deviendra mouillé.

Puisque beaucoup de contenants de détergent se ressemblent, rangez le détergent de lave-vaisselle dans un endroit distinct de tous les autres nettoyants. Montrez à toute personne qui utilisera le lave-vaisselle le bon détergent à utiliser et où il est rangé.

Bien que cette erreur ne causera pas de dommages permanents au lave-vaisselle, votre vaisselle ne sera pas bien lavée avec ce type de détergent non formulé pour les lave-vaisselles.

## Utilisation du lave-vaisselle.

### Distributeur de détergent SmartDispense<sup>MD</sup> (certains modèles)

Ce lave-vaisselle peut comporter la fonction SmartDispense<sup>MD</sup>, une caractéristique qui distribue automatiquement le détergent liquide pour lave-vaisselle automatique dans chaque cycle en se basant sur le niveau de saleté de la vaisselle et de dureté de l'eau.

Avant d'utiliser le distributeur de détergent SmartDispense<sup>MD</sup>, vous devez d'abord le remplir. Même si n'importe quel détergent pour distributeur automatique sous forme liquide ou de gel convient au distributeur SmartDispense<sup>MD</sup>, il est important de savoir qu'il existe une différence entre les divers détergents. La plupart des détergents pour distributeurs automatiques sont à base de javellisant (comme Cascade® ou Electrasol®), tandis que d'autres contiennent des enzymes (comme Cascade Complete®).

**Prenez soin de ne pas mélanger un détergent à base de javellisant avec un autre à base d'enzyme, cela pourrait faire figer les détergents, ce qui aura pour effet d'obturer le distributeur SmartDispense<sup>MD</sup>.**

Vérifiez l'étiquette sur le détergent pour savoir s'il contient du javellisant ou des enzymes. Nous vous conseillons d'utiliser le même type de détergent pour remplir le distributeur SmartDispense<sup>MD</sup>.

#### ⚠ ATTENTION!

N'ajoutez absolument jamais de détergent en poudre, en pains ou tout autre savon ou détergent liquide utilisé normalement pour laver la vaisselle à la main dans un évier. N'utilisez que du détergent liquide ou gel spécifiquement conçu pour le lave-vaisselle automatique.

Pour ouvrir le distributeur afin de le remplir, poussez vers le bas et tournez le capuchon bleu dans le sens opposé à celui des aiguilles d'une montre jusqu'à ce que le capuchon est desserré. Retirez le capuchon.



Ouvrez la porte à un angle confortable pour remplir le distributeur.



Dirigez la bouteille de détergent vers l'ouverture de la porte et commencez à remplir.



Le distributeur contient 45 oz de détergent liquide pour lave-vaisselle (bouteille de taille normale).



Tournez dans le sens des aiguilles d'une montre.

Quand le distributeur est plein, remettez le bouchon sur le trou d'accès et tournez dans le sens des aiguilles d'une montre jusqu'à ce qu'il soit serré. S'il reste des résidus sur la porte, ils seront lavés pendant le cycle suivant.

Un voyant s'allumera pour vous avertir que le distributeur doit être rempli à nouveau. Après que vous ayez rempli le distributeur, le voyant ne s'éteindra qu'à la fermeture de la porte. Un distributeur plein dure environ 1 mois d'usage normal.

STATUS			
Le voyant s'allumera lorsqu'il faut remplir	○ LOW DETERGENT	● DRYING	● SANITIZED
	● SENSING	● WASHING	● CLEAN

(l'apparence peut varier)

**REMARQUE :** si vous n'utilisez pas la fonction SmartDispense<sup>MD</sup> et que vous désirez éteindre le voyant lumineux **LOW DETERGENT (détergent bas)**, appuyez à 5 reprises sur la touche **ADDED HEAT (chaleur +)** en moins de 3 secondes. Trois bips sonores seront émis et le voyant lumineux s'éteindra. Pour réactiver le voyant, appuyez simplement à 5 reprises sur la touche **ADDED HEAT (chaleur +)** en moins de 3 secondes.

# Calibrage de dureté de l'eau de distributeur de détergent SmartDispense<sup>MD</sup>

Avant sa première utilisation, vous devez calibrer votre lave-vaisselle en fonction de la dureté de votre eau. Veuillez suivre les instructions suivantes pour calibrer votre lave-vaisselle en fonction de la dureté de votre eau d'alimentation.

## Trouvez la dureté de votre eau d'alimentation

Dans le sac qui contenait ces instructions, vous trouverez un paquet de bandes de test de dureté de l'eau. Lisez les instructions sur le paquet, enlevez la bande d'essai et suivez les instructions pour trouver le degré de dureté de votre eau du robinet. Vous utiliserez cette information pour calibrer votre lave-vaisselle ce qui vous permettra de distribuer le montant optimal de détergent.

### Indication de la bande d'essai de dureté d'eau



## Calibrage des modèles à panneau de commande frontal à 12 boutons avec afficheur à 3 chiffres



Appuyer sur les touches simultanément. Afficheur

- 1 Fermez et verrouillez la porte (voyants allumés, lave-vaisselle au repos).
- 2 Appuyez en même temps sur les touches **COOKWARE (casseroles)** et **DELAY HOURS (mise en marche retardée)** pendant 3 secondes. L'afficheur indiquera un nombre de **1 à 5**. Ce nombre indique le niveau de dureté de l'eau actuellement réglé.
- 3 Appuyez sur la touche **COOKWARE (casseroles)** pour augmenter la valeur ou sur la touche **NORMAL** pour l'abaisser. Utilisez le nombre obtenu avec la bande d'essai et le tableau ci-dessus pour régler le niveau de dureté de l'eau.
- 4 Après avoir réglé la dureté de l'eau, appuyez sur la touche **START/RESET (démarrage/réinitialisation)** pour sauvegarder la configuration et revenir au mode normal de fonctionnement du lave-vaisselle.

## Calibrage des modèles à panneau de commande frontal à 7 boutons avec afficheur à 3 chiffres



Appuyer sur les touches simultanément. Afficheur

- 1 Ouvrez la porte et appuyez sur une touche (autre que la touche **START (démarrage)**) pour actionner les voyants.
- 2 Appuyez en même temps pendant 3 secondes sur les touches "Up" (vers le haut) et **DELAY HOURS (mise en marche retardée)**. L'afficheur indiquera un nombre de **1 à 5**. Ce nombre indique le niveau de dureté de l'eau actuellement réglé.

- 3 Appuyez sur la touche "Up" (haut) pour augmenter la valeur du niveau ou sur la touche "Down" (bas) pour l'abaisser. Utilisez le nombre obtenu avec la bande d'essai et le tableau à gauche pour régler le niveau de dureté de l'eau.
- 4 Après avoir réglé la dureté de l'eau, appuyez sur la touche **START/RESET (démarrage/réinitialisation)** pour sauvegarder la configuration et revenir au mode normal de fonctionnement du lave-vaisselle.

## Calibrage des modèles sans afficheur à 3 chiffres

### Commandes sur le devant

- 1 Fermez et verrouillez la porte (voyants allumés, lave-vaisselle au repos).
- 2 Appuyez en même temps sur les touches **COOKWARE (casseroles)** et **DELAY HOURS (mise en marche retardée)** pendant 3 secondes. Tous les voyants s'illumineront et vous entendrez de 1 à 5 bips. Le nombre de bips indique la valeur réelle de la dureté de l'eau.
- 3 Pour modifier la configuration, appuyez sur la touche **DELAY HOURS (mise en marche retardée)** à autant de reprises qu'au nombre correspondant de la colonne à gauche, laquelle indique la valeur de la dureté de l'eau. Le panneau émet un bip chaque fois que vous appuyez sur la touche.
- 4 Lorsque vous avez fini d'appuyer sur la touche, vous entendrez une confirmation correspondant à autant de bips que le nombre de fois que vous avez appuyé sur la touche.
- 5 Si le nombre de bips n'est pas celui que vous désirez, recommencez à appuyer sur la touche **DELAY HOURS** pour entrer un nouveau niveau de dureté de l'eau.
- 6 Après avoir réglé la dureté de l'eau, appuyez sur la touche **START/RESET (démarrage/réinitialisation)** pour sauvegarder la configuration et revenir au mode normal de fonctionnement du lave-vaisselle.

### Commandes sur le haut

- 1 Ouvrez la porte et appuyez sur une touche pour actionner les voyants.
- 2 Appuyez en même temps pendant 3 secondes sur les touches "Up" (vers le haut) et **DELAY HOURS (mise en marche retardée)**. Tous les voyants s'illumineront et vous entendrez de 1 à 5 bips. Le nombre de bips indique la valeur réelle de la dureté de l'eau.
- 3 Pour modifier la configuration, appuyez sur la touche **DELAY HOURS (mise en marche retardée)** à autant de reprises qu'au nombre correspondant de la colonne à gauche, laquelle indique la valeur de la dureté de l'eau. Le panneau émet un bip chaque fois que vous appuyez sur la touche.
- 4 Lorsque vous avez fini d'appuyer sur la touche, vous entendrez une confirmation correspondant à autant de bips que le nombre de fois que vous avez appuyé sur la touche.
- 5 Si le nombre de bips n'est pas celui que vous désirez, recommencez à appuyer sur la touche **DELAY HOURS** pour entrer un nouveau niveau de dureté de l'eau.
- 6 Après avoir réglé la dureté de l'eau, appuyez sur la touche **START/RESET (démarrage/réinitialisation)** pour sauvegarder la configuration et revenir au mode normal de fonctionnement du lave-vaisselle.

**REMARQUE :** Vous devriez recalibrer le lave-vaisselle si les conditions de dureté de l'eau changent comme dans le cas de l'ajout ou du retrait d'un système d'adoucisseur d'eau à votre domicile.

## Chargement des paniers de votre lave-vaisselle.

Pour obtenir de bons résultats, suivez ces directives de chargement. Les caractéristiques et l'apparence des paniers et des paniers à argenterie peuvent varier selon votre modèle.



### Panier supérieur

Bien que la clayette supérieure soit destinée en premier lieu aux verres, aux tasses et aux soucoupes, vous pouvez y mettre des casseroles pour bien les laver. Les tasses et les verres tiennent le mieux le long des côtés. C'est aussi un bon endroit pour les matières plastiques.

Le panier supérieur est conçu pour toutes sortes d'ustensiles de cuisine de formes diverses. Vous devez placer les soucoupes, les bols à mélanger et tous les autres articles à l'envers. Les tiges pliantes (sur certains modèles) permettent de ranger les articles difficiles à caser ou extra-grands.



Ce panier (certains modèles) peut être placé en position haute ou basse pour faciliter le rangement. Un porteur de verres à vin (certains modèles) tient les verres à vin pour un bon lavage.

Mettez les articles en matière plastique lavables en lave-vaisselle sur deux tiges repliables si possible.

Certains modèles ont des paniers de tasses en métal formé, qui peuvent contenir jusqu'à 12 verres à vin (comme dans l'illustration).

Assurez-vous que tous les articles en matière plastique soient bien calés et qu'ils ne risquent pas de tomber sur le chauffage.

Comme les verres à vin ont des formes diverses, après les avoir mis, appuyez-les doucement dans le panier pour qu'ils ne touchent pas le haut de votre lave-vaisselle.

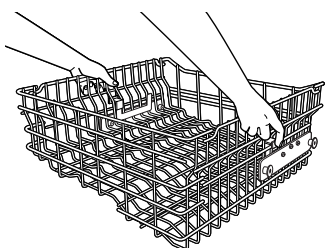
Assurez-vous qu'aucun article ne sorte en bas de la clayette et ne bloque la rotation du bras d'arrosage du milieu. Cela peut occasionner un mauvais lavage des articles placés dans le panier supérieur.



Certains modèles ont un système de clayette inclinée, qui vous permet d'incliner vos plats, comme les tasses de café, pour mieux nettoyer et sécher plus rapidement. Pour mettre en place les dents tirez le levier vers l'avant, puis laissez tomber les dents en position, puis laissez le levier.

Vérifiez qu'aucun article ne bloque la rotation du bras de lavage.

**NOTE:** la sélection **Single Rack Wash (un seul panier)** n'effectue que le lavage du panier supérieur sur les modèles qui offrent cette fonctionnalité. Si vous choisissez cette fonctionnalité, ne déposez pas de vaisselle dans le panier inférieur.



### Panier supérieur ajustable

La position normale de votre panier ajustable est en haut, ce qui permet aux articles plus grands, situés dans le panier du bas, d'avoir un maximum d'espace. Si vous avez des verres à vin hauts, des gobelets ou d'autres articles longs dans le panier supérieur, vous pouvez ajuster ce panier afin de la mettre en position basse.



**Pour abaisser le panier**, soutenez le poids du panier avec vos mains comme l'indique l'illustration, appuyez sur les deux taquets avec vos doigts environ 1/4" vers l'intérieur du panier, comme l'indique l'illustration, et guidez le panier vers le bas en position basse.

**Pour faire monter le panier** en position haute, tirez sur le centre du châssis de côté du panier jusqu'à ce que le panier se fixe en place.



### Panier inférieur

Le panier inférieur est conçu pour les assiettes, les soucoupes et les casseroles. Vous devez mettre les articles de grande taille, comme les grils-lèchefrite et les plateaux à pâtisserie, le long du côté gauche. Les assiettes à servir, les casseroles et les bols vont le long des côtés, dans les coins ou à l'arrière. Le côté sale de la vaisselle doit être tourné vers le centre du panier. Si nécessaire, vous pouvez mettre les verres et les tasses de grande taille dans le panier inférieur pour faciliter le chargement.

Aussi, faites attention de ne pas laisser une partie d'article comme un manche de casserole ou une poignée de plat, sortir par le bas du panier inférieur. Cela peut bloquer le bras de lavage et occasionner un mauvais lavage.

Des tiges pliantes (sur certains modèles) facilitent le rangement d'articles extrêmement grands ou difficiles à caser. Vous pouvez soulever ces tiges vers le haut ou les replier vers le bas pour faciliter le rangement dans le panier inférieur.



### Enlèvement du panier supérieur

Vous pouvez enlever le panier supérieur, pour permettre le rangement d'articles de grande taille dans le panier inférieur.

**NOTE :** N'utilisez pas le cycle de **SINGLE RACK WASH** (certains modèles) (lavage d'un seul panier) avec cette fonction. Le cycle « Single Rack Wash » n'effectue que le lavage de la vaisselle déposée dans le panier supérieur. Le cycle recommandé pour l'utilisation du panier inférieur seulement est le cycle **COOKWARE** (casserole).

**Pour enlever le panier inférieur :**

- 1 Appuyez avec votre pouce pour enlever le taquet et enlevez les capuchons d'extrémité de devant de chaque côté des rails.
- 2 Tirez le panier tout droit et enlevez-la des rails.
- 3 Remettez en place les capuchons d'extrémité.

4 Poussez les rails jusqu'au fond du lave-vaisselle.

5 Faites glisser l'attache de buse de douche (dans le sac qui contenait ces instructions) sur le jet.



6 Remplissez ensuite le panier inférieur et commencez votre cycle.

**NOTE :** n'oubliez pas d'enlever l'attache de buse de douche avant de remettre en place le panier supérieur.

### Panier à argenterie

Pour charger l'argenterie, poussez simplement la poignée ajustable d'un côté ou de l'autre (sur certains modèles). Mettez l'argenterie dans le panier amovible avec les poignées de fourchette et de couteau vers le haut pour protéger vos mains. Placez les cuillers dans le panier avec les poignées vers le bas. Mélangez les couteaux, les fourchettes et les cuillers de manière à ce qu'ils ne soient pas collés les uns aux autres. Répartissez également. Mettez les petits articles en matière plastique, comme les cuillers à mesurer et les bouchons de petits contenants, en bas du panier à argenterie avec l'argenterie sur eux.

Le panier à argenterie en une pièce (sur certains modèles) peut être placé à l'avant, du côté droit ou à l'arrière du panier inférieur.

De nombreuses options existent pour le panier à argenterie en trois pièces (sur certains modèles) dans votre lave-vaisselle. Le panier entier est conçu pour aller du côté droit du panier inférieur. En outre, chaque extrémité du panier est amovible pour faciliter le chargement de l'argenterie et remplir les besoins de capacité du panier inférieur.

Vous pouvez fermer les couvercles des paniers du centre et de chaque côté (sur certains modèles) pour y mettre des petits articles. Vous pouvez placer les articles longs sur le plateau du panier supérieur.



Panier en une pièce (sur certains modèles)



Panier en trois pièces (sur certains modèles)



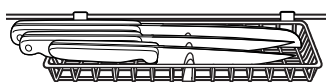
Ne laissez aucun article sortir par le bas.



Pour enlever les paniers des extrémités, saisissez le panier aux coins opposés et faites glisser pour séparer.

## Chargement des paniers du lave-vaisselle.

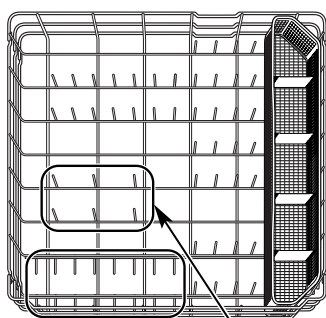
### Caractéristiques de paniers supplémentaires (sur certains modèles)



#### Plateau de coutellerie

Le plateau de coutellerie contient jusqu'à quatre grands couteaux, comme un couteau de découpe, un couteau de chef, un couteau à pain, etc. qui sont trop longs pour aller dans le panier à argenterie.

Accrochez le plateau à l'arrière du panier supérieur. Mettez les couteaux entre les guides (comme l'indique l'illustration).



Ces tiges se déplient

Tiges à grand bols

#### Tiges à bol

Les tiges spéciales à bol dans le panier inférieur facilitent le chargement. Ils sont utiles pour les bols à servir ou d'autres grands bols.

Pour utiliser les tiges à bol, dépliez les deux rangées de tiges flexibles en face des tiges à bol et chargez les bols exactement comme vous le feriez dans le panier supérieur.

## Chargement des couverts...

Suivez les directives suivantes pour mettre 10 couverts. Les caractéristiques et l'apparence des paniers et des paniers à argenterie peuvent varier par rapport à votre modèle. **REMARQUE** : on devrait charger l'argenterie dans les fentes du couvercle du panier prévues à cet effet.



Panier supérieur—10 couverts



Panier inférieur—10 couverts

Suivez les directives suivantes pour mettre 12 couverts. Les caractéristiques et l'apparence des paniers et des paniers à argenterie peuvent varier par rapport à votre modèle. **REMARQUE** : on devrait charger l'argenterie dans les fentes du couvercle du panier prévues à cet effet.



Panier supérieur—12 couverts



Panier inférieur—12 couverts

### Nettoyer le panneau de la porte extérieur

Avant de nettoyer le panneau avant, assurez-vous de savoir quel type de panneau vous avez. Reportez-vous aux deux dernières lettres de votre numéro de modèle. Ce numéro se trouve sur la paroi de la cuve, du côté gauche, juste à l'intérieur de la porte. Si votre numéro de modèle se termine par BB, CC, WW, SA ou par BG, alors vous avez un panneau de porte peint. Si votre numéro de modèle se termine par SS, alors vous avez un panneau de porte d'acier inoxydable. Si votre numéro de modèle se termine par CS, alors vous avez un panneau de porte CleanSteel.

Suivez les instructions plus bas pour nettoyer le panneau de porte de votre modèle précis.

**Panneau de porte peinte** (numéros de modèle se terminant par BB-noir, CC-bisque, WW-blanc, SA-argent métallique ou BG-noir graphite)

Utilisez un chiffon propre, doux, un peu humide, puis essuyez bien. Vous pouvez utiliser aussi un bon poli ou une bonne cire d'appareil électroménager.

**Panneau de porte d'acier inoxydable** (numéros de modèle se terminant par SS)

Les panneaux d'acier inoxydable se nettoient avec *Stainless Steel Magic* ou un produit semblable et à l'aide d'un chiffon propre et doux. N'utilisez pas de cire, poli, agent de blanchiment ou produits contenant du chlore sur les portes d'acier inoxydable.

Vous pouvez commander du *Stainless Steel Magic n. WX10X15* auprès du service de pièces GE en appelant le 1.800.626.2002.

**Panneau de porte CleanSteel** (numéros de modèle se terminant par CS)

Utilisez un chiffon propre, doux, un peu humide, puis essuyez bien. N'utilisez pas de cire d'appareil électroménager, de poli ou tout autre agent chimique sur les portes en acier inoxydable CleanSteel.

*N'utilisez pas de linge de vaisselle ou de serviette humide sales pour nettoyer le lave-vaisselle pour éviter de laisser des résidus. N'utilisez pas de tampons à récurer ni de nettoyant en poudre pouvant érafler le fini.*

### Panneaux en acier inoxydable

**Intérieur en acier inoxydable—Cuve et porte intérieure**

L'acier inoxydable utilisé pour la cuve et la porte intérieure du lave-vaisselle fournit la meilleure qualité que vous puissiez trouver dans un lave-vaisselle GE. Si la cuve ou la porte intérieure du

lave-vaisselle se raye ou reçoit un coup pendant son usage normal, elle ne rouille pas ou ne se s'oxyde pas. Ces rayures de surface ne gênent pas ses fonctions, ou sa résistance.

### Nettoyer le panneau de commande

Pour nettoyer le panneau de contrôle, utilisez un linge légèrement humide, puis séchez complètement.

### Protection contre le gel

Si vous laissez votre lave-vaisselle dans un endroit sans chauffage pendant l'hiver, demandez à un technicien de service d'effectuer les opérations suivantes :

- 1 Couper l'alimentation électrique du lave-vaisselle. Enlever les fusibles ou faites basculer le disjoncteur.
- 2 Couper l'alimentation d'eau et débrancher la conduite d'alimentation d'eau du robinet.
- 3 Videz l'eau de la conduite d'alimentation d'eau et du robinet (utilisez une casserole pour recueillir l'eau).
- 4 Rebranchez la conduite d'alimentation d'eau au robinet.



Vérifiez l'écart anti-retour chaque fois que votre lave-vaisselle ne se vide pas bien.

### Est-ce que votre lave-vaisselle a un écart anti-retour?

Un écart anti-retour protège votre lave-vaisselle contre un retour d'eau si un drain se bouche. L'écart anti-retour ne fait pas partie de votre lave-vaisselle. Il n'est pas couvert par votre garantie. Tous les codes de plomberie ne requièrent pas des écarts anti-retour, et il est possible que vous n'en ayez pas.

**L'écart anti-retour est facile à nettoyer.**

- 1 Éteignez votre lave-vaisselle et soulevez le couvercle chromé.
- 2 Enlevez le capuchon en matière plastique et nettoyez avec un cure-dents.

## Avant d'appeler le service de réparations...



### Renseignements pratiques

Économisez du temps et de l'argent! Examinez les tableaux des pages suivantes, ou visitez le site [www.electromenagersge.ca](http://www.electromenagersge.ca). Cela vous évitera peut-être d'appeler le service de réparations.

Messages d'erreur	Causes possibles	Ce qu'il faut faire
Le voyant indiquant le statut <b>START/RESET</b> (mise en marche/remise à zéro) clignote	Vous avez enfoncé le bloc <b>START/RESET</b> (mise en marche/remise à zéro) tandis que le lave-vaisselle était en marche. Ceci annulera le cycle. Le voyant cessera de clignoter à la fin de la vidange du lave-vaisselle (environ 90 secondes).	<ul style="list-style-type: none"> <li>Appuyez sur le bloc <b>START/RESET (démarrage/réinitialisation)</b> seulement une fois pour démarrer le lave-vaisselle. Une fois le lave-vaisselle en marche, appuyez sur le bloc <b>START/RESET (démarrage/réinitialisation)</b> seulement une fois si vous voulez annuler (réinitialiser) le cycle.</li> </ul>
	Le lave-vaisselle a été mis hors tension tandis qu'un cycle était en marche et le courant vient de reprendre. Les voyants clignotants indiquent que le lave-vaisselle évacue l'eau à l'intérieur.	<ul style="list-style-type: none"> <li>Le voyant cessera de clignoter après que l'eau soit évacuée du lave-vaisselle. Un nouveau cycle démarrera automatiquement à la fin de la vidange.</li> </ul>
Le lave-vaisselle fait entendre un signal sonore (BIP) toutes les 30 secondes	Ceci est un rappel que votre porte de lave-vaisselle est restée ouverte durant l'opération. Le signal se poursuivra jusqu'à ce que vous fermiez la porte.	<ul style="list-style-type: none"> <li>Fermez et verrouillez la porte après l'avoir ouverte à mi-cycle. Les bips cesseront de se faire entendre et le lave-vaisselle effectuera un cycle complet.</li> </ul>
Signal sonore à la fin du cycle	Ceci est normal. Le lave-vaisselle fera entendre le signal sonore deux fois à la fin du cycle.	<ul style="list-style-type: none"> <li>Pour éteindre le double indicateur sonore (ou pour le réactiver après l'avoir éteint), appuyez sur le bloc <b>HEATED DRY (séchage chaud)</b> 5 fois en 3 secondes. Trois bips se feront entendre pour indiquer que l'option sonore de fin de cycle a été activée ou désactivée.</li> </ul>
Le voyant de basse quantité de détergent est ALLUMÉ	Le SmartDispense <sup>MD</sup> a du détergent pour moins de 10 cycles dans le lave-vaisselle.	<ul style="list-style-type: none"> <li>Remplissez le réservoir SmartDispense<sup>MD</sup> de détergent liquide de lave-vaisselle. Après avoir rempli le réservoir, le voyant <b>LOW DETERGENT (faible niveau de détergent)</b> s'éteindra après que la porte soit fermée.</li> </ul>

Problème	Causes possibles	Ce qu'il faut faire
La vaisselle et les couverts ne sont pas propres	Faible température d'eau d'entrée	<ul style="list-style-type: none"> <li>Assurez-vous d'avoir la bonne température d'entrée (voir page 8). Ouvrez le robinet d'eau chaude le plus près du lave-vaisselle, laissez l'eau couler jusqu'à ce que la température de l'eau cesse d'augmenter. Démarrez alors le lave-vaisselle et fermez le robinet. Ceci permet de s'assurer que l'eau soit chaude en entrant.</li> <li>Essayez de ne pas utiliser le lave-vaisselle lorsque de l'eau chaude est sollicitée ailleurs dans la maison ; p. ex., lorsque vous faites la lessive ou qu'un membre de la famille utilise la douche.</li> </ul>
	La pression d'eau est temporairement trop basse	<ul style="list-style-type: none"> <li>Ouvrez un robinet. Est-ce que l'eau coule plus lentement que d'habitude ? Si oui, attendez jusqu'à ce que la pression soit normale avant d'utiliser le lave-vaisselle.</li> <li>Essayez de ne pas utiliser le lave-vaisselle lorsque de l'eau chaude est sollicitée ailleurs dans la maison ; p. ex., lorsque vous faites la lessive ou qu'un membre de la famille utilise la douche.</li> </ul>
	Écart anti-retour ou le broyeur est bloqué	<ul style="list-style-type: none"> <li>Nettoyez l'écart anti-retour ou rincez le broyeur.</li> </ul>
	Mauvaise charge sur le tiroir	<ul style="list-style-type: none"> <li>Assurez-vous que la large vaisselle ne bloque pas le distributeur de détergent ou le bras gicleur. Reportez-vous à la section <i>Charger le lave-vaisselle</i>.</li> </ul>
	Aucun écart anti-retour ou boucle élevée de la vidange	<ul style="list-style-type: none"> <li>Vérifiez que vous avez bien un écart anti-retour ou une boucle élevée de vidange. Reportez-vous aux instructions d'installation.</li> </ul>

Problème	Causes possibles	Ce qu'il faut faire
Taches et pellicule sur les verres et les couverts	Eau extrêmement dure Faible température d'eau d'entrée. Lave-vaisselle surchargé Mauvais chargement Détergent en poudre humide ou vieux Distributeur d'agent de rinçage vide Trop peu de détergent	<ul style="list-style-type: none"> <li>Utilisez des agents de rinçage <b>Jet-Dry</b>® ou <b>Cascade Crystal Clear</b>® pour retirer les taches et éviter une nouvelle accumulation.</li> <li>Assurez-vous que la température de l'eau est d'au moins 48,8 °C (120 °F).</li> <li>Chargez le lave-vaisselle comme il est illustré à la section <i>Chargement des couverts</i>.</li> <li>Assurez-vous que le détergent est frais.</li> <li>Si l'eau est excessivement dure, un adoucisseur d'eau sera peut-être nécessaire.</li> </ul>
Voile sur les verres	Mélange d'eau douce et trop de détergent  La température de l'eau entrant dans le lave-vaisselle dépasse 150 °F (65 °C)	<ul style="list-style-type: none"> <li>Ceci s'appelle une <i>gravure</i> et elle est permanente. Pour éviter ce problème, utilisez moins de détergent si vous avez de l'eau douce. Lavez les verres au cycle le plus court pour qu'ils soient propres. Recalibrez le système SmartDispense<sup>MD</sup> si vous l'utilisez. Reportez-vous aux pages 9 et 11.</li> <li>Ceci pourrait être une gravure. Réduisez la température du chauffe-eau.</li> </ul>
Mousse dans la cuve	Mauvais type de détergent utilisé  	<ul style="list-style-type: none"> <li>Utilisez seulement un détergent de lave-vaisselle automatique pour éviter l'excès de mousse. Les détergents de lave-vaisselle automatique <b>Cascade</b>® et <b>Electraso</b>® ont été approuvés pour tous les lave-vaisselles GE.</li> <li>Pour retirer la mousse de la cuve, ouvrez le lave-vaisselle et laissez la mousse s'évaporer. Fermez et verrouillez la porte du lave-vaisselle. Sortez l'eau en touchant le bloc <b>START/RESET (mise en marche/remise à zéro)</b> une fois, attendez 30 secondes et touchez au bloc à nouveau. Répétez au besoin.</li> </ul>
	L'agent de rinçage a été déversé	<ul style="list-style-type: none"> <li>Essuyez tous les déversements d'agent de rinçage immédiatement.</li> </ul>
Détergent qui reste dans les réservoirs du distributeur ou sur la porte	La vaisselle bloque le réservoir du détergent ou la sortie du système SmartDispense <sup>MD</sup>	<ul style="list-style-type: none"> <li>Remplacez la vaisselle pour que l'eau du bras gicleur inférieur puisse rincer le réservoir de détergent ou la sortie du système SmartDispense<sup>MD</sup>. Reportez-vous aux pages 13 et 14.</li> </ul>
Marques noires ou grises sur la vaisselle	Des ustensiles d'aluminium se sont frottés contre la vaisselle	<ul style="list-style-type: none"> <li>Retirer les taches avec un nettoyeur doux, abrasif.</li> </ul>
La vaisselle ne sèche pas	Faible température d'eau d'entrée	<ul style="list-style-type: none"> <li>Assurez-vous que la température de l'eau d'entrée soit à au moins 120 °F (49 °C).</li> <li>Choisissez <b>HEATED DRY (séchage chaud)</b>.</li> <li>Utilisez les options <b>PRE WASH (pré-lavage)</b> ou <b>ADDED HEAT (chaleur ajoutée)</b>.</li> <li>Choisissez un cycle plus élevé, tel que <b>ANTI-BACTERIA (antibactérien)</b>, ou <b>COOKWARE (casserolles)</b>.</li> </ul>
	Le distributeur d'agent de rinçage est vide	<ul style="list-style-type: none"> <li>Vérifiez le distributeur d'agent de rinçage et remplissez au besoin.</li> </ul>
Le panneau de commande a réagi aux entrées, mais le lave-vaisselle ne s'est jamais rempli d'eau	Le verrou de la porte n'est pas bien placé Le robinet d'eau est peut-être fermé	<ul style="list-style-type: none"> <li>Assurez-vous que la porte soit bien fermée.</li> <li>Assurez-vous que le robinet d'eau (normalement sous l'évier) soit ouvert.</li> </ul>
Le voyant d'aseptisation ne s'allume pas à la fin du cycle (seulement le cycle anti-bactérien)	La porte était ouverte et le cycle a été interrompu durant ou après le lavage principal La température d'entrée de l'eau était trop basse	<ul style="list-style-type: none"> <li>N'interrompez pas le cycle durant ou après le lavage principal.</li> <li>Augmentez la température de l'eau du chauffe-eau entre 120 et 140 °F (49 et 60 °C).</li> </ul>

# Avant d'appeler le service de réparations...



Renseignements pratiques

Problème	Causes possibles	Ce qu'il faut faire
Intérieur de cuve tachée	Certains aliments à base de tomate peuvent causer des taches rougeâtres	<ul style="list-style-type: none"> <li>Utiliser le cycle <b>RINSE ONLY (rinçage seulement)</b> après avoir ajouté le plat à la charge pourrait réduire les taches. GE recommande d'utiliser <b>Cascade® Plastic Booster</b> pour aider à retirer ces types de taches.</li> </ul>
	Taches de café ou de thé	<ul style="list-style-type: none"> <li>Retirez la tache à la main avec une solution de 1/2 tasse d'agent de blanchiment et 3 tasses d'eau chaude.</li> <li><b>▲ AVERTISSEMENT</b> Avant de nettoyer l'intérieur, attendez au moins 20 minutes après un cycle pour laisser les éléments chauffants refroidir. Si vous ne le faites pas, vous pourriez avoir des brûlures.</li> </ul>
	Une pellicule jaune ou brune pourrait être causée par des dépôts de fer dans l'eau	<ul style="list-style-type: none"> <li>Un filtre spécial dans la canalisation d'eau est la seule façon de corriger ce problème. Contactez une société d'adoucissement d'eau.</li> </ul>
	Pellicule blanche sur la surface intérieure—minéraux d'eau dure	<ul style="list-style-type: none"> <li>GE recommande d'utiliser <b>Jet-Dry®</b> ou <b>Cascade Crystal Clear®</b> pour empêcher la formation de dépôts de minéraux d'eau dure.</li> <li>Faites fonctionner le lave-vaisselle avec de l'acide citrique pour retirer ces dépôts. Vous pouvez commander de l'acide citrique (numéro de pièce : WD35X151) auprès du service de pièces GE. Reportez-vous au couvercle arrière pour l'information sur les commandes.</li> </ul>
Le lave-vaisselle ne fonctionne pas	Un fusible est grillé ou le disjoncteur est déclenché	<ul style="list-style-type: none"> <li>Remplacez le fusible ou remettez le disjoncteur à zéro. Retirez tous les autres appareils du circuit.</li> </ul>
	Le courant est coupé	<ul style="list-style-type: none"> <li>Dans certaines installations, le courant au lave-vaisselle est fourni par une prise murale qui se trouve souvent près de l'interrupteur du broyeur. Assurez-vous qu'il soit en marche.</li> </ul>
	Le panneau de commande est verrouillé	<ul style="list-style-type: none"> <li>Déverrouillez le panneau de commande. Voir page 6.</li> </ul>
	Le panneau de contrôle doit être réinitialisé	<ul style="list-style-type: none"> <li>Coupez le courant au lave-vaisselle (disjoncteur ou prise murale) pendant 30 secondes et remettez en marche.</li> </ul>
Le voyant du panneau de commande s'éteint en réglant les commandes	Trop de temps entre les sélections de blocs	<ul style="list-style-type: none"> <li>Chaque bloc doit être touché à l'intérieur d'une période de 5 minutes. Pour allumer à nouveau, retouchez tout bloc ou déverrouillez et reverrouillez la porte.</li> </ul>
Il y a de l'eau au fond de la cuve	Ceci est normal	<ul style="list-style-type: none"> <li>Une petite quantité d'eau propre autour de la sortie au fond de la cuve, à l'arrière de la cuve garde le raccord de la pompe bien lubrifié.</li> </ul>
L'eau ne sort pas de la cuve	Le drain est bloqué	<ul style="list-style-type: none"> <li>Si vous avez un écart anti-retour, nettoyez-le. Voir page 15.</li> <li>Si le lave-vaisselle se vidange dans un broyeur, faites fonctionner ce dernier.</li> <li>Vérifiez si l'évier de cuisine se vide bien. Sinon, vous aurez peut-être besoin d'un plombier.</li> </ul>
Vapeur	Ceci est normal	<ul style="list-style-type: none"> <li>L'air chaud et humide passe par l'évent par le verrou de porte durant le séchage et lorsque l'eau est pompée pour la sortir. Ceci est nécessaire pour le séchage.</li> </ul>
Bruit	<p>Sons de fonctionnement normal</p> <p>Ouverture du réservoir de détergent</p> <p>L'eau entre dans le lave-vaisselle</p> <p>Le moteur s'arrête et démarre plusieurs fois durant le cycle.</p> <p>La pompe de vidange émet un bruit en vidant</p> <p>Le ventilateur de séchage fonctionne de 2 à 4 heures après que le voyant <b>CLEAN (propre)</b> s'allume (modèles à panneau de commande supérieur seulement)</p> <p>La vaisselle émet un bruit de casse lorsque le bras gicleur tourne</p>	<ul style="list-style-type: none"> <li>L'émission de ces bruits est tout à fait normale. Aucune intervention n'est requise.</li> <li>Assurez-vous que la vaisselle soit bien chargée. Reportez-vous à la section <i>Charger le lave-vaisselle</i>.</li> </ul>

## Service Protection Plus<sup>MD</sup> GE

GE, nom connu dans le monde entier pour sa qualité et sa fiabilité, vous offre le plan Service Protection Plus<sup>MD</sup>, une protection intégrée pour tous vos appareils électroménagers, quelle que soit leur marque!

Les avantages de ce plan sont les suivants :

- Il est soutenu par GE
- Toutes les marques sont couvertes
- Le nombre d'appels de service est illimité
- Tous les coûts de pièces et de main d'oeuvre sont compris
- Aucun faux-frais
- Aucune franchise cachée
- Un numéro 800 à appeler

***Nous couvrirons  
tous vos appareils  
électroménagers,  
partout, tout le temps\****

Vous serez complètement satisfait par notre protection de service ou vous pourrez demander un remboursement de la valeur restante de votre contrat. Nous ne poserons aucune question. C'est tellement simple!

Protégez votre réfrigérateur, votre lave-vaisselle, votre laveuse et votre sècheuse, votre four, votre téléviseur, votre magnétoscope, etc.—**quelle que soit leur marque!** En outre, il n'y a aucun frais supplémentaire en cas d'urgence et nous vous offrons un financement mensuel bas. Nous offrons même une couverture pour votre machine à glaçons et une protection contre la détérioration des aliments. Vous pouvez dormir sur vos deux oreilles, en sachant que tous vos précieux appareils électroménagers sont protégés en cas de réparations coûteuses.

Faites confiance en GE et appelez nous au Canada sans frais au **1.888.261.2133** pour de plus amples informations.

\*Les appareils de toutes les marques sont couverts au Canada, vieux de jusqu'à 20 ans.



**FIRST  
CLASS  
POSTAGE  
REQUIRED**      **PORT DE  
PREMIERE  
CLASSE  
REQUIS**

**OWNERSHIP REGISTRATION  
P.O. BOX 1780  
MISSISSAUGA, ONTARIO  
L4Y 4G1**

**(FOR CANADIAN CONSUMERS ONLY)  
(SEULEMENT POUR LES CONSOMMATEURS CANADIENS)**



Notes.

---

<i>Instructions de sécurité</i>	<i>Instructions de fonctionnement</i>	<i>Conseils de dépannage</i>	<i>Soutien au consommateur</i>
---------------------------------	---------------------------------------	------------------------------	--------------------------------

<b>Soutien au consommateur</b>	<b>Conseils de dépannage</b>	<b>Instructions de fonctionnement</b>	<b>Instructions de sécurité</b>
--------------------------------	------------------------------	---------------------------------------	---------------------------------

## Notes.

---

# Garantie GE sur les lave-vaisselle.



Toutes les réparations sous garantie seront effectuées par nos centres de réparation ou nos réparateurs autorisés. Appelez le 1.800.361.3400. Veuillez fournir le numéro de série et le numéro de modèle lorsque vous appelez pour obtenir le service.

Agrafez le reçu d'achat ici. Pour obtenir le service sous garantie, vous devrez fournir la preuve de l'achat original.

## Pour une période de : GE remplacera :

<b>Un an</b> à partir de la date d'achat initial	<b>Toute pièce</b> du lave-vaisselle qui se casse à cause d'un vice de matériau ou de main-d'oeuvre. Au cours de cette <b>année de garantie limitée</b> , GE fournira, <b>gratuitement</b> , toute la main-d'oeuvre et le service à la maison nécessaires pour remplacer la pièce défectueuse.
<b>Cinq ans</b> à partir de la date d'achat initial	<b>Les paniers et le module de contrôle électronique du lave-vaisselle</b> s'ils ne fonctionnent plus à cause d'un vice de matériau ou de main-d'oeuvre. Au cours de ces <b>cinq ans de garantie limitée</b> , vous serez responsable de tous frais de main-d'oeuvre ou de service à la maison.
<b>Toute la vie du produit</b>	<b>La cuve en acier inoxydable ou la doublure de porte</b> , si elles ne peuvent plus arrêter l'eau à cause d'un vice de matériau ou de main-d'oeuvre. Au cours de <b>cette garantie limitée</b> , GE fournira également, <b>gratuitement</b> , toute la main-d'oeuvre et le service à la maison nécessaires pour remplacer la pièce défectueuse.

## Ce qui n'est pas couvert :

- Tout déplacement de service chez vous pour vous apprendre à utiliser votre lave-vaisselle.
- Toute mauvaise installation.  
Si vous avez un problème d'installation, appelez votre revendeur ou un installateur. Vous êtes responsable de fournir une bonne alimentation électrique, un bon échappement et tout autre branchement nécessaire.
- Toute panne du produit s'il a été malmené, mal utilisé ou utilisé à une autre fin que celle prévue ou utilisé commercialement.
- Tout remplacement des fusibles de la maison ou tout rebranchement des disjoncteurs.
- Tout dommage occasionné par un accident, un incendie, une inondation ou un acte de Dieu.
- Tout dommage subi après la livraison.
- Le service s'il est impossible d'avoir accès au produit pour ce faire.

**EXCLUSION DE GARANTIES IMPLICITES – Votre seul et unique recours est la réparation du produit selon les dispositions de cette Garantie limitée. Toutes les garanties implicites, incluant les garanties de commercialité et d'adéquation à un usage spécifique, sont limitées à une année ou à la période la plus courte autorisée par la législation.**

Cette garantie est valable pour le premier propriétaire et tout autre propriétaire du produit s'il a été acheté pour utilisation domestique au Canada. Le service à domicile sous garantie sera fourni là où il est disponible et dans les régions que Mabe considère que l'offre de service est raisonnable.

LE GARANT N'EST PAS RESPONSABLE DES DOMMAGES CONSÉCUTIFS.

Garant : MABE CANADA INC.

## Soutien au consommateur.

---



### Site Web appareils électroménagers GE [www.electromenagersge.ca](http://www.electromenagersge.ca)

Vous avez une question ou vous avez besoin d'aide pour votre appareil électroménager? Contactez-nous par Internet au site [www.electromenagersge.ca](http://www.electromenagersge.ca) 24 heures par jour, tous les jours de l'année.



### Service de réparations

**1.800.361.3400**

Service de réparations GE est tout près de vous.

Pour faire réparer votre électroménager GE, il suffit de nous téléphoner.



### Studio de conception réaliste

Sur demande, GE peut fournir une brochure sur l'aménagement d'une cuisine pour les personnes à mobilité réduite.

Écrivez: Directeur, Relations avec les consommateurs, Mabe Canada Inc.  
Bureau 310, 1 Factory Lane  
Moncton, N.B. E1C 9M3



### Prolongation de garantie

[www.electromenagersge.ca](http://www.electromenagersge.ca)

Achetez un contrat d'entretien GE avant que votre garantie n'expire et bénéficiez d'un rabais substantiel. Ainsi le service après-vente GE sera toujours là après expiration de la garantie.

Visitez notre site Web ou appelez-nous au **1.800.461.3636**.



### Pièces et accessoires

Ceux qui désirent réparer eux-mêmes leurs électroménagers peuvent recevoir pièces et accessoires directement à la maison (cartes VISA, MasterCard et Discover acceptées).

**Les directives stipulées dans le présent manuel peuvent être effectuées par n'importe quel utilisateur. Les autres réparations doivent généralement être effectuées par un technicien qualifié. Soyez prudent, car une réparation inadéquate peut affecter le fonctionnement sécuritaire de l'appareil.**

Vous trouverez dans les pages jaunes de votre annuaire le numéro du Centre de service Mabe le plus proche.



### Contactez-nous

Si vous n'êtes pas satisfait du service après-vente dont vous avez bénéficié :

**Premièrement**, communiquez avec les gens qui ont réparé votre appareil.

**Ensuite**, si vous n'êtes toujours pas satisfait envoyez tous les détails-numéro de téléphone compris-au

Directeur, Relations avec les consommateurs, Mabe Canada Inc.  
Bureau 310, 1 Factory Lane  
Moncton, N.B. E1C 9M3



### Inscrivez votre appareil électroménager [www.electromenagersge.ca](http://www.electromenagersge.ca)

**Inscrivez votre appareil électroménager en direct, aussitôt que possible.** Cela améliorera nos communications et notre service après-vente. Vous pouvez également nous envoyer par la poste le formulaire d'inscription joint à votre documentation.