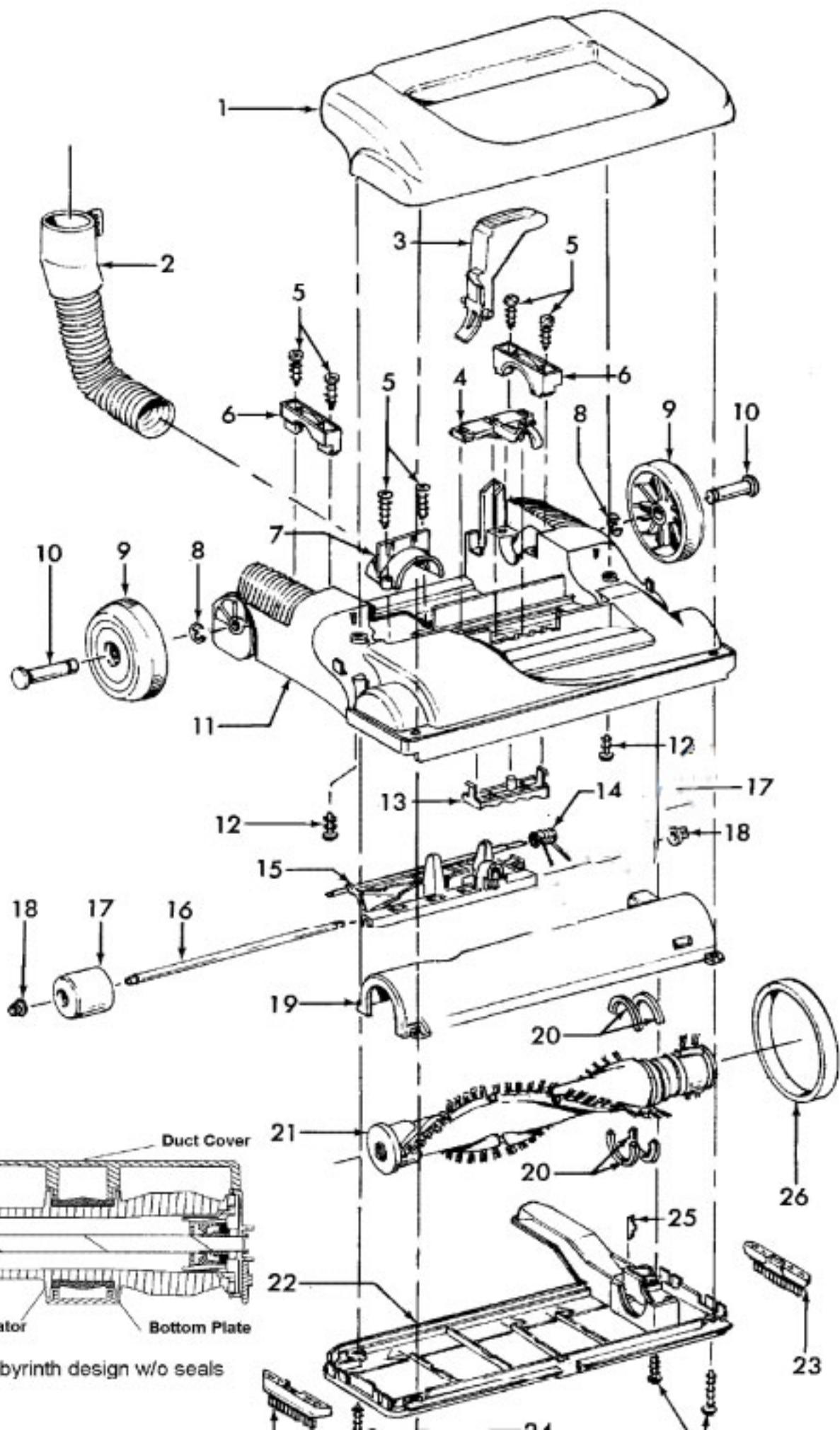


Model Number: U53019RM
BOM/Serial #: U53019RM
Graphic Title: HANDLE & UPRIGHT ASSEMBLY

Image	Key	Part Number	Description	Substitution	Qty.
1	1	48663206	HANDLE ASSM.-SERVICE		1
1	2	3944201P	CORD WRAP		1
1	3	27479307	CABLE TIE		1
1	4	27618508	WIRE CONNECTOR		1
1	5	-----	NOT REQUIRED PART OR SEE NOTE		1
1	6	40309033	SWITCH KIT-SERVICE		1
1	6	28161067	SWITCH-WT-.025 TERM		1
1	7	-----	NOT REQUIRED PART OR SEE NOTE		1
1	8	37255013	BAG HOUSING-C1703/05	40309039	1
1	9	40201149	HANDLE HARDWARE ASSEM		1
1	10	27482301	STRAIN RELIEF	163768--	1
1	10	27482230	STRAIN RELIEF		1
1	11	46383334	CORD-35'-WT		1
1	12	31178017	HOSE CONNECTOR GASKET		1
1	13	38641005	DIRT DUCT		1
1	14	43434031	HOSE ASSEMBLY COMP		1
1	14	43434248	HOSE ASSEM COMP		1
1	15	21447242	SCREW-SELF TAPPING		4
1	16	36433112	TOOL/HOSE HOLDER	92001070	1
1	17	23149002	SCREW-SELF TAPPING		1
1	18	43431005	HOSE DOOR ASSEM-SERVICE		1
1	19	34311004	WIRE OPENING SE1		1
1	20	3861401E	FURNITURE NOZZLE		1
1	21	38617027	CREVICE TOOL-ABR		1
1	22	43414162	DUSTING BRUSH-ABR-U5	43414174	1
1	23	38634078	EXTENSION TUBE-AG		2
1	24	36322035	MOTOR MOUNT-LRG	36322037	1
1	25	41311017	MOTOR BRUSH		2
1	25	43576188	MOTOR ASSEM COMP.		1
1	25	43566016	FAN		1
1	26	51873001	TOC LABEL-WINDTUNNEL		1
1	26	28382087	THERMOL PROTECTOR-.250		1
1	26	28382086	THERMOL PROTECTOR		1
1	26	47534027	THERMAL PROTECTOR		1
1	27	21447230	SCREW-SELF TAPPING-F		5

Image	Key	Part Number	Description	Substitution	Qty.
1	28	37196158	MOTOR COVER-ABE		1
1	28	37196009	MOTOR COVER-ABE-C170		1
1	29	21447228	SCREW-SELF-TAPPING		2
1	30	39383107	LENS-CP		1
1	31	34123050	BAG DOOR GASKET-BOTTOM		1
1	32	37944010	COVER-ABE		1
1	33	21447072	SCREW		1
1	34	47173023	WIRING HARNESS		1
1	34	47173027	WIRING HARNESS		1
1	35	27313101	LAMP		1
1	36	34131019	WIRE OPENING PLUG		1
1	37	36322030	MOTOR MOUNT-SMALL		1
1	38	38765019	SECONDARY FILTER		1
1	39	36426034	SECONDARY FILTER RET		1
1	40	21641558	HEX NUT - AAX		2
1	40	40201149	HANDLE HARDWARE ASSEM		1
1	41	36426060	FILTER HOLDER-STD		1
1	42	38766008	FINAL FILTER		1
1	42	40110004	FINAL FILTER PK (12)		1
1	43	4010100Y	ALLER FILT BAG Y - 3-PK		1
1	44	38781057	BAG DOOR GASKET		1
1	45	37254240	BAG HSG DR-U5142		1
1	45	42255064	Bag Hsg Door-U53949	37254202	1
1	45	37254089	BAG HSG. DOOR-U5397		1
1	45	37254096	BAG HSG DOOR-U5395-9		1
1	45	37254233	BAG HOUSING DOOR-STD		1
1	45	37254244	Bag Hsg Door-U5147-9		1
1	45	42255107	BAG HSG DOOR-U5398-9		1
1	45	42255101	BAG HSG DOOR-ACX	37254096	1
1	45	42255065	Bag Hsg Door-ABY		1
1	45	37254115	BAG HSG DOOR-U539390		1
1	46	36433116	LOWER WAND HOLDER		1
1	47	36433117	UPPER WAND HOLDER		1
1	90	49811073	Lead Wire-Red-.250		1
1	90	51151010	BAG INDICATOR		1
1	90	49811059	LEAD WIRE - RED		1
1	90	56511A72	OWNER MANUAL-U542090		1
1	90	43457024	HOSE DOOR ASSEM		1

Image	Key	Part Number	Description	Substitution	Qty.
1	90	56511C03	OWNERS MANUAL-U5142		1
1	90	43434042	EXTRA HOSE ASM COMP		1
1	90	56511C11	Owner Manual-U5147-9		1
1	90	40200013	TURBINE HAND TOOL		1
1	90	012910--	CORD CLAMP		1
1	90	56511C04	OWNER MANUAL		1



Duct Cover

Bottom Plate

Agitator

Labyrinth design w/o seals

Model Number: U53019RM
BOM/Serial #: U53019RM
Graphic Title: AGITATOR, MAINBODY, HOOD

Image	Key	Part Number	Description	Substitution	Qty.
1	1	37253364	HOOD-ADK		1
1	1	37253396	Hood-std-ABY-U53399		1
1	1	37253343	Hood-ADK-U545-900		1
1	1	37253350	Hood-ADX-U5460-900	37253364	1
1	1	37253353	HOOD-AG-13	37253389	1
1	1	37253360	HOOD-ADX-U5457-900		1
1	1	37253319	HOOD-MU-U5447900		1
1	1	37253363	HOOD-ACL-U5435-900		1
1	1	37253316	HOOD-AG-U5420-900		1
1	1	37253381	HOOD-ACX-13 IN.		1
1	1	37253387	HOOD-ABR-15-U5398-9		1
1	1	37253388	Hood-AG-U5477-900		1
1	1	37253389	Hood-AG-U5415-900		1
1	1	37253391	Hood-ADX-U5446-900		1
1	1	37253395	Hood-ACF-U5394-900		1
1	1	37253361	HOOD-13 IN.-AAY		1
1	1	37253298	HOOD-AG-15-U5469-91		1
1	1	37253285	HOOD-U5433-900	37253290	1
1	1	37253286	HOOD-ABY-15-U5445-9		1
1	1	37253287	HOOD ASSEMBLY-U5395-		1
1	1	37253289	HOOD-AG-U5475-900		1
1	1	37253290	HOOD-AG - U5469-900		1
1	1	37253342	Hood-ADX-U5434-900		1
1	1	37253297	HOOD-ABY-U5451-900		1
1	1	37253383	HOOD-AFE-U5452-900	37253316	1
1	1	37253299	HOOD-AG		1
1	1	37253305	HOOD-U5397-900		1
1	1	37253306	hood-abr-15-u539690		1
1	1	37253307	Hood		1
1	1	37253313	HOOD-ACF-U5449-940		1
1	1	37253315	HOOD ASSEMBLY-U5393		1
1	1	37253294	HOOD-AG-U5443-900		1
1	1	37253A41	HOOD-15IN-U5459		1
1	1	37253402	Hood-13 in.-ADK		1
1	1	37253373	HOOD-13 IN-STD.		1

Image	Key	Part Number	Description	Substitution	Qty.
1	1	37253A42	Hood-AFT-U5147-900		1
1	1	37253A40	HOOD-13IN -U5142900		1
1	1	37253A27	HOOD STD-AGF		1
1	1	37253A06	HOOD-ABM - U5432900		1
1	1	37253429	HOOD-U5402900		1
1	1	37253411	HOOD-FALCOM JR 13 IN-AFS		1
1	1	37253407	FALCON JR HOOD-13 IN-AFS		1
1	2	43431005	HOSE DOOR ASSEM-SERVICE		1
1	3	38458043	HANDLE RELEASE LEVER		1
1	4	40309004	NOZZLE ADJ LEVER & CAM KIT		1
1	5	21447072	SCREW		1
1	6	36131094	TRUNNION COVER-ABE		1
1	7	36171044	HOSE CLAMP-ABE		1
1	8	160017--	LOCK RING		1
1	9	38522077	REAR WHEEL		1
1	9	43244005	REAR WHEEL ASSM-U642		1
1	10	32434008	REAR AXLE-AA-X-U5433-	32434007	1
1	11	37242123	MAIN BODY-ABEY		1
1	11	37242124	MAIN BODY-ABE-U5433-		1
1	11	37242140	MAIN BODY W/GUARD-13 IN-ABE		1
1	12	21447228	SCREW-SELF-TAPPING		1
1	13	40309004	NOZZLE ADJ LEVER & CAM KIT		1
1	14	38355010	TORSION SPRING		1
1	15	36432027	FRONT WHEEL SUPPORT-UP		1
1	15	43248057	FRONT WHEEL ASSEMBLY	43248064	1
1	16	32541003	WHEEL SHAFT		1
1	17	38521004	FRONT WHEEL	43248064	1
1	18	36131056	WHEEL RETAINER - BZ		1
1	19	40309025	BOTTOM PLATE/DUCT 13 SERVICE		1
1	19	40309034	BMT PLATE/DUCT COVER		1
1	19	40309026	BOTTOM PLATE/DUCT CO		1
1	20	38781053	AGITATOR PULLEY SEAL		1
1	21	48414110	AGITATOR-13-SERVICE		1
1	21	48414115	AGITATOR-15-SERVICE		1
1	22	40309034	BMT PLATE/DUCT COVER		1
1	22	40309026	BOTTOM PLATE/DUCT CO		1
1	22	40309025	BOTTOM PLATE/DUCT 13 SERVICE		1
1	23	39511004	LITTER PICKER		2

Image	Key	Part Number	Description	Substitution	Qty.
1	24	21447121	SCREW		1
1	25	13261AY-	RIB SHOE	013261AY	1
1	26	38528033	BELT		1
1	27	43414195	DUSTING BRUSH ASSEMBLY-AGR		1
1	27	38614044	FURNITURE NOZZLE-AGR		1
1	27	37254257	BAG HSG DOOR-U54029		1
1	27	36235088	FURNITURE GUARD FILLER		1
1	27	38617032	CREVICE TOOL-ABR		1