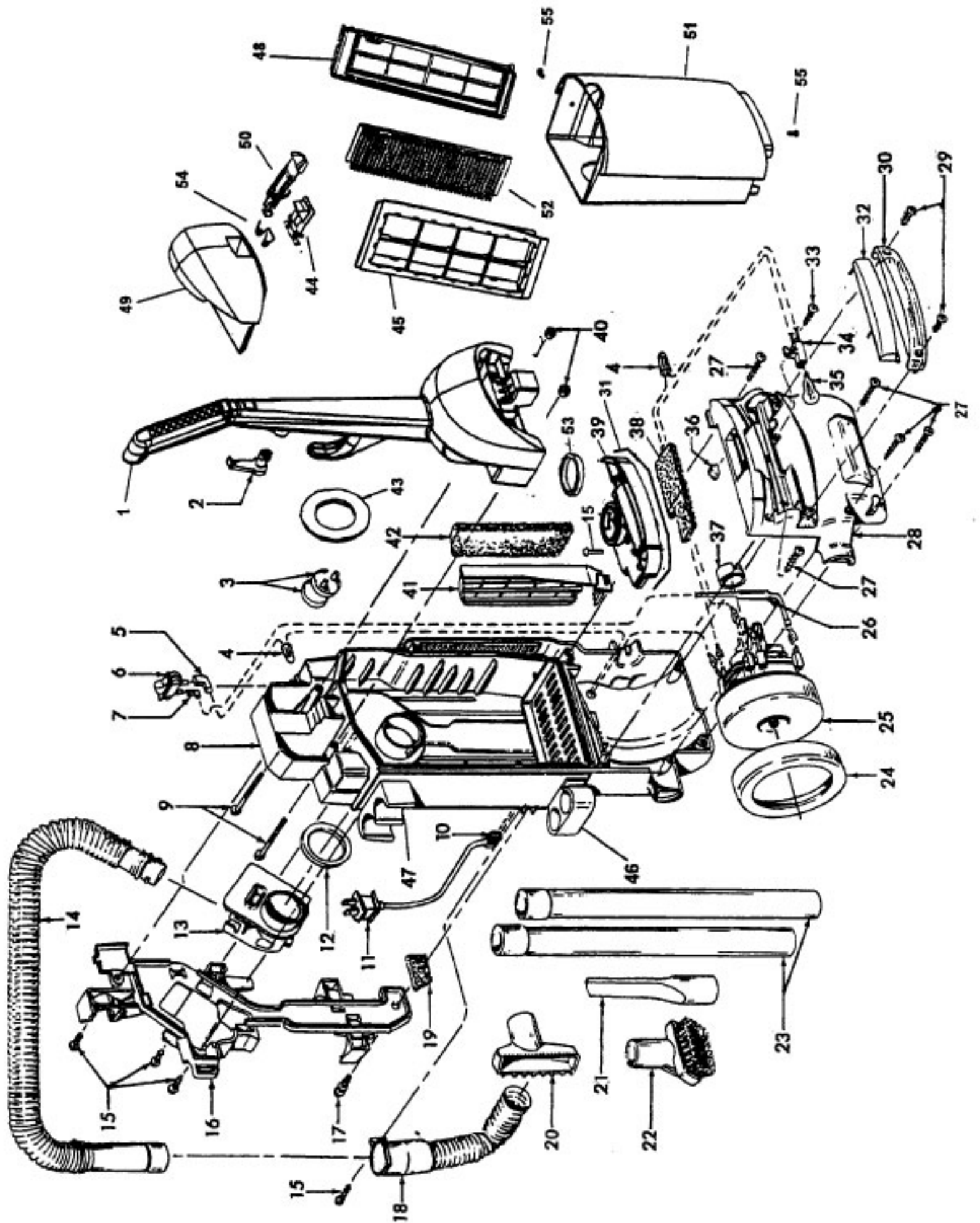


Wide Path Bagless

Models U5344-900, U5347-900, U5347-960,  
U5348-900, U5349-900, U5361-900,  
U5363-900, U5365-900



## Wide Path Bagless

| Ref. No. | Part No.        | Description  |
|----------|-----------------|--|
| 1        | 39466059        | Upper Handle Assem – AFS ( order item 2 also) U5344-900, U5361-900             |
|          | 39466062        | Upper Handle Assem - AFT ( order item 2 also) U5347-900, U5347-960, U5363-900, |
|          | 39466063        | Upper Handle Assem - ACU ( order item 2 also) U5348-900                        |
|          | 39466064        | Upper Handle Assem - AG ( order item 2 also)U5349-900, U5365-900               |
| 2        | 3944201P        | Cord Wrap - ABE  |
| 3        | 27479307        | Wire Tie   |
| 4        | 27618508        | Wire Connector   |
| 5        | N/A             | Terminal   |
| 6        | 28161067        | Switch - 1/4" terminals  |
| 7        | N/A             | Terminal   |
| 8        | 37259003        | Upper Hsg - ABE(Includes items 46 and 47, order item 43 also )                 |
| 9        | 40201149        | Handle Hardware (Inc. item 40)   |
| 10       | 27482230        | Strain Relief  |
| 11       | 46383334        | Cord - 35 Ft. - with 1/4" terminals  |
| 12       | 31178017        | Hose Connector Gasket  |
| 13       | 38641005        | Hose Connector (also order item 12)  |
| 14       | 43434248        | Hose Assembly  |
| 15       | 21447242        | Screw (4)  |
| 16       | 36433112        | Tool / Hose Holder - ABE   |
| 17       | 23149002        | Screw  |
| 18       | 43431005        | Angled Connector Assembly w/Hose   |
| 19       | 34311004        | Wire Opening Seal  |
| 20       | 3861401E        | Furniture Nozzle - ABR   |
| 21       | 38617027        | Crevice Tool - ABR   |
| 22       | 43414162        | Dusting Brush Assembly - ABR   |
| 23       | 38634078        | Extension Tube - AG (2)  |
| 24       | 36322035        | Motor Mount - Large  |
| 25       | 43576188        | Motor Assembly   |
|          | 41311017        | Motor Brushes (2)  |
|          | 43566016        | Motor Fan Assembly   |
| 26       | 28382087        | Thermal Protector - w/ 1/4" terminals  |
|          | 51873001        | Thermal Protector Label  |
| 27       | 21447230        | Screw (5)  |
| 28       | 37196158        | Motor Cover - ABE  |
| 29       | 21447228        | Screw (2)  |
| 30       | 39383107        | Lens   |
| 31       | 38781061        | Rope Seal  |
| 32       | 37944010        | Cover - ABE  |
| 33       | 21447072        | Screw  |
| 34       | 47173027        | Wiring Harness - w/ 1/4" terminals   |
| 35       | 27313101        | Dirt Finder Lamp   |
| 36       | 34131019        | Wire Opening Plug  |
| 37       | 36322030        | Motor Mount - Small  |
| 38       | 38765019        | Secondary Filter   |
| 39       | Note: Secondary | Filter Retainers include item 53   |
|          | 36426055        | Secondary Filter Retainer-AFS- U5344-900, U5361-900                            |
|          | 36426057        | Secondary Filter Retainer – AFT U5347-900, U5347-960, U5363-900                |

## Models U5344-900, U5347-900, U5347-960, U5348-900, U5349-900, U5361-900, U5363-900, U5365-900

| Ref. No. | Part No. | Description                                 |
|----------|----------|---|
|          | 36426058 | Secondary Filter Retainer – ACU U5348-900   |
|          | 36426059 | Secondary Filter Retainer – AG U5349-900    |
|          | 36426064 | Secondary Filter Retainer – WW – U5365-900  |
| 40       | 21641558 | Hex Nut (2)                                 |
|          | 40201149 | Handle Hardware (Inc. It. 9)                |
| 41       | 36426038 | Filter Holder - ABE                         |
| 42       | 38766008 | Final Filter                                |
|          | 40110004 | Final Filter Pack (3 Layer - Qty. 2)        |
| 43       | 38784089 | Intake Seal – Dirt Cup                      |
| 44       | 36151032 | Latch – Dirt Cup                            |
| 45       | 36426053 | Pre-Filter Screen                           |
| 46       | 36433116 | Lower Wand Holder                           |
| 47       | 36433117 | Upper Wand Holder                           |
| 48       | 36426056 | Filter Support                              |
| 49       | 37249025 | Dirt Cup Lid – AFS –U5344-900               |
|          | 37249027 | Dirt Cup Lid – AFT –U5347-900, U5347-960    |
|          | 37249028 | Dirt Cup Lid – ACU –U5348-900               |
|          | 37249029 | Dirt Cup Lid – AG –U5349-900                |
|          | 37249047 | Dirt Cup Lid – WW – U5365-900               |
|          | 37249045 | Dirt Cup Lid - AFS – U5361-900              |
|          | 37249046 | Dirt Cup Lid – AFT – U5363-900              |
| 50       | 38421104 | Latch Actuator                              |
| 51       | 38775089 | Dirt Cup – U5344-900                        |
|          | 38775092 | Dirt Cup – U5349-900                        |
|          | 38775090 | Dirt Cup – U5347-900, U5347-960, U5348-900  |
|          | 38775102 | Dirt Cup –, U5361-900, U5363-900, U5365-900 |
| 52       | 40110008 | Primary Filter                              |
| 53       | 38784084 | Exhaust Seal – Dirt Cup                     |
| 54       | 38355015 | Spring                                      |
| 55       | 21447041 | Screw                                       |

### Items not illustrated

|          |                                    |
|----------|------------------------------------|
| 012910-- | Attach. Cord Clamp                 |
| 43457024 | Nozzle Hose Extension -            |
| 49811073 | Lead Wire - Red - w/ 1/4" terminal |
| 43434042 | Hose - 20' Stretch                 |

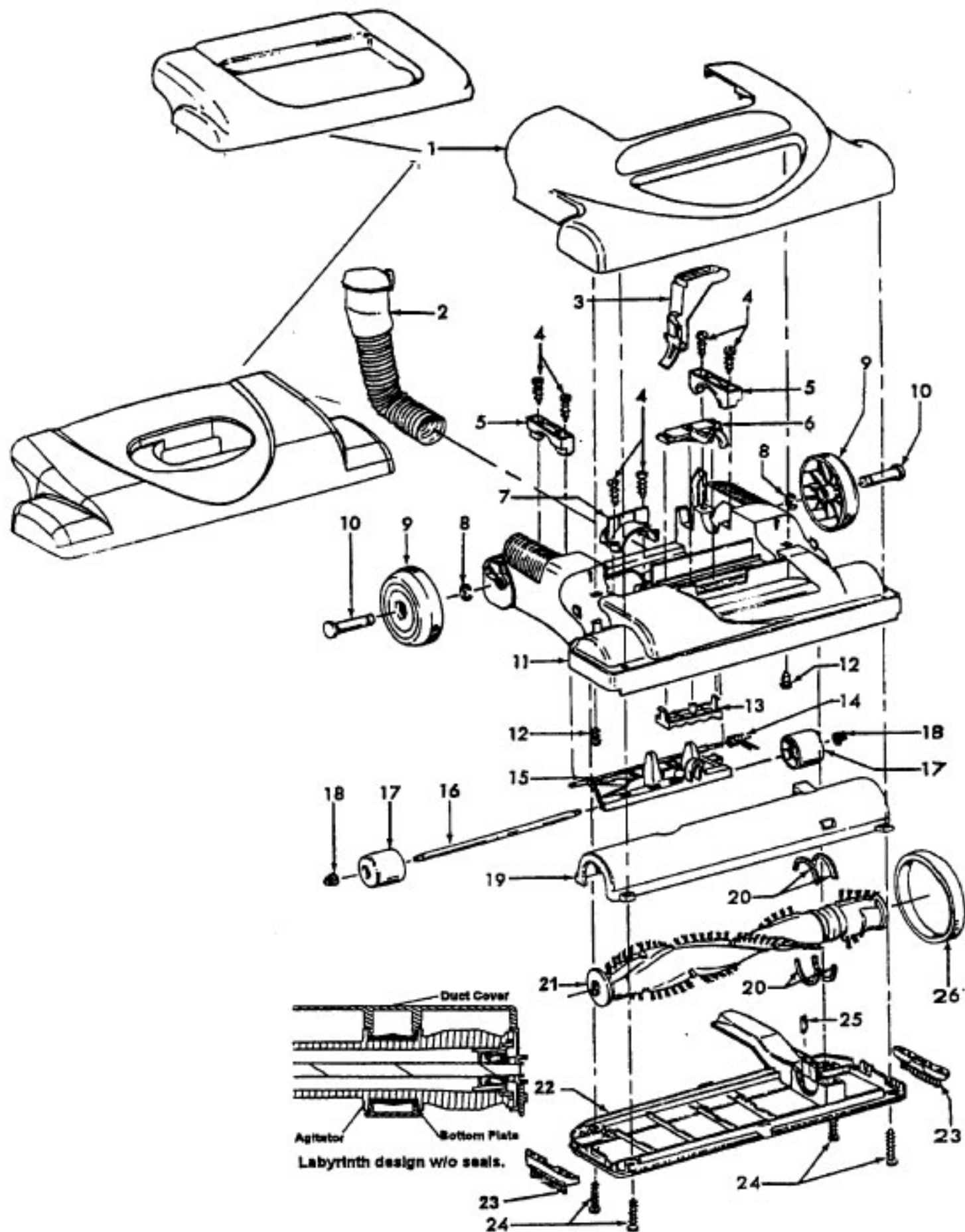
### Packaging

|          |   |
|----------|---|
| 56511B49 | Owner Manual - U5344-900, U5347-900, U5347-960, U5348-900 |
| 56511B50 | Owner Manual – U5349-900                                  |
| 56511B83 | Owner Manual – U5361-900, U5363-900, U5365-900            |
| 58174101 | Carton  |

### Main Body and Components – P. 329

WindTunnel

Models U5344-900, U5347-900, U5347-960, U5348-900, U5349-900, U5361-900, U5363-900, U5365-900, U5409-900, U5409-955, U5409-990, U5453-900, U5461-900, U5462-900, U5463-960, U5464-900, U5465-900, U5465-960, U5465-970, U5465-990



## WindTunnel

Models U5344-900, U5347-900, U5347-960, U5348-900, U5349-900, U5361-900,  
 U5363-900, U5365-900,  
 U5409-900, U5409-955, U5409-990, U5453-900, U5461-900, U5462-900,  
 U5463-960, U5464-900, U5465-900, U5465-960, U5465-970, U5465-990

| Ref. No. | Part No. | Description  |
|----------|----------|--|
| 1        | 37253284 | Deluxe Hood - ABY - U5465- 900, U5465-960, U5465-990                           |
|          | 37253293 | Deluxe Hood - AG -U5465-970  |
|          | 37253308 | Deluxe Hood - ACL - U5463-960  |
|          | 37253322 | Deluxe Hood - ACL - U5461-900  |
|          | 37253352 | Standard Hood - ADX -U5409-900, U5409-955, U5409-990                           |
|          | 37253364 | Standard Hood - ADK - U5453-900 U5464-900                                      |
|          | 37253386 | Standard Hood - ADS - U5462-900  |
|          | 37253394 | Deluxe Hood - AFS - U5344-900  |
|          | 37253399 | Deluxe Hood - AFT - U5347-900, U5347-960                                       |
|          | 37253A01 | Deluxe Hood - ACU - U5348-900  |
|          | 37253A02 | Deluxe Hood - AG - U5349-900   |
|          | 37253A26 | Deluxe Hood - WW - U5365-900   |
|          | 37253A22 | Std. Hood - AFS - U5361-900  |
|          | 37253A23 | Std. Hood - AFT - U5363-900  |
| 2        | 43431005 | Angled Hose Conn. Assem.   |
| 3        | 38458043 | Handle Release Lever   |
| 4        | 21447072 | Screw Self Tapping   |
| 5        | 36131094 | Trunnion Cover - ABE   |
| 6        | 40309004 | Nozzle Adjustment Cam Assembly (Includes item 13)                              |
| 7        | 36171044 | Hose Clamp - ABE   |
| 8        | 160017-- | Retaining Ring   |
| 9        | 38522077 | Rear Wheel   |
| 10       | 32434008 | Rear Axle - AAX  |
|          | 32434012 | Rear Axle - U5365-900  |
| 11       | 37242123 | Main Body - ABE  |
| 12       | 21447228 | Screw Self Tapping   |
| 13       | 40309004 | Nozzle Adj. Cam Assembly (Includes item 6)                                     |
| 14       | 38355010 | Torsion Spring   |
| 15       | 36432027 | Front Wheel Support  |
|          | 43248057 | Front Wheel Assembly - ( includes 15, 16, 17, 18 )                             |
| 16       | 32541003 | Wheel Shaft  |
| 17       | 38521004 | Front Wheel  |
| 18       | 36131056 | Wheel Retainer   |
| 19       | 40309034 | Bottom Plate / Duct Cover Assem. Labyrinth Design (Inc. item 22)               |
|          | 40309026 | Bottom Plate / Duct Cover Assem. (Inc. item 22)                                |
| 20       | 38781053 | Agitator Pulley Seal   |
| 21       | 48414115 | Agitator Assem. Comp. - 15 IN (For use on both Labyrinth and Standard Designs) |
| 22       | 40309034 | Bottom Plate / Duct Cover Assembly - Labyrinth design (Inc. item 19)           |
|          | 40309026 | Bottom Plate / Duct Cover- Assembly (Includes item 19)                         |

| Ref. No. | Part No. | Description  |
|----------|----------|--|
| 23       | 39511004 | Litter Picker (2)  |
|          | 36235088 | Furniture Guard Filler (2) U5344-900, U5347-900, U5347-960, U5348-900, U5349-900 |
| 24       | 21447121 | Screw Self Tapping   |
| 25       | 13261AY  | Rug Nozzle Rib Shoe  |
| 26       | 38528033 | Belt   |